

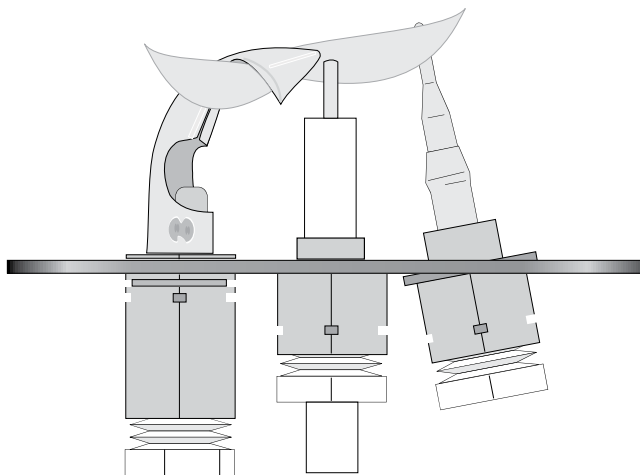
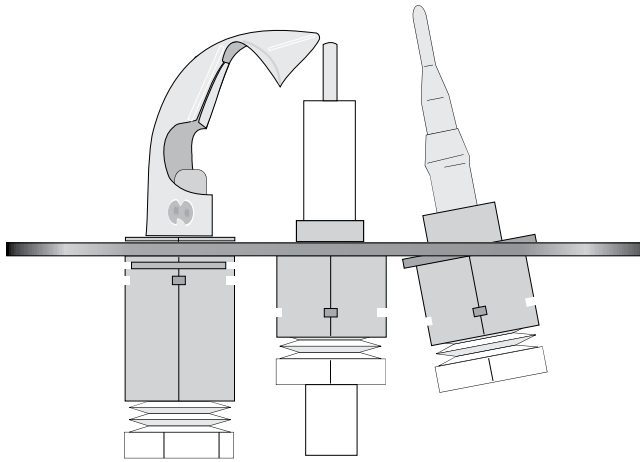


| | |
|--------------------|---------------|
| Technical Bulletin | TB105 |
| Product Group | Nestor Martin |
| Edition No: | 3 |
| Date | 03/2011 |

Gas Pilot Assembly Identification

To identify the pilot assembly there should be a number stamped onto the base plate of the pilot assembly. This may be prefixed with the letters SIT.

Part number 38505



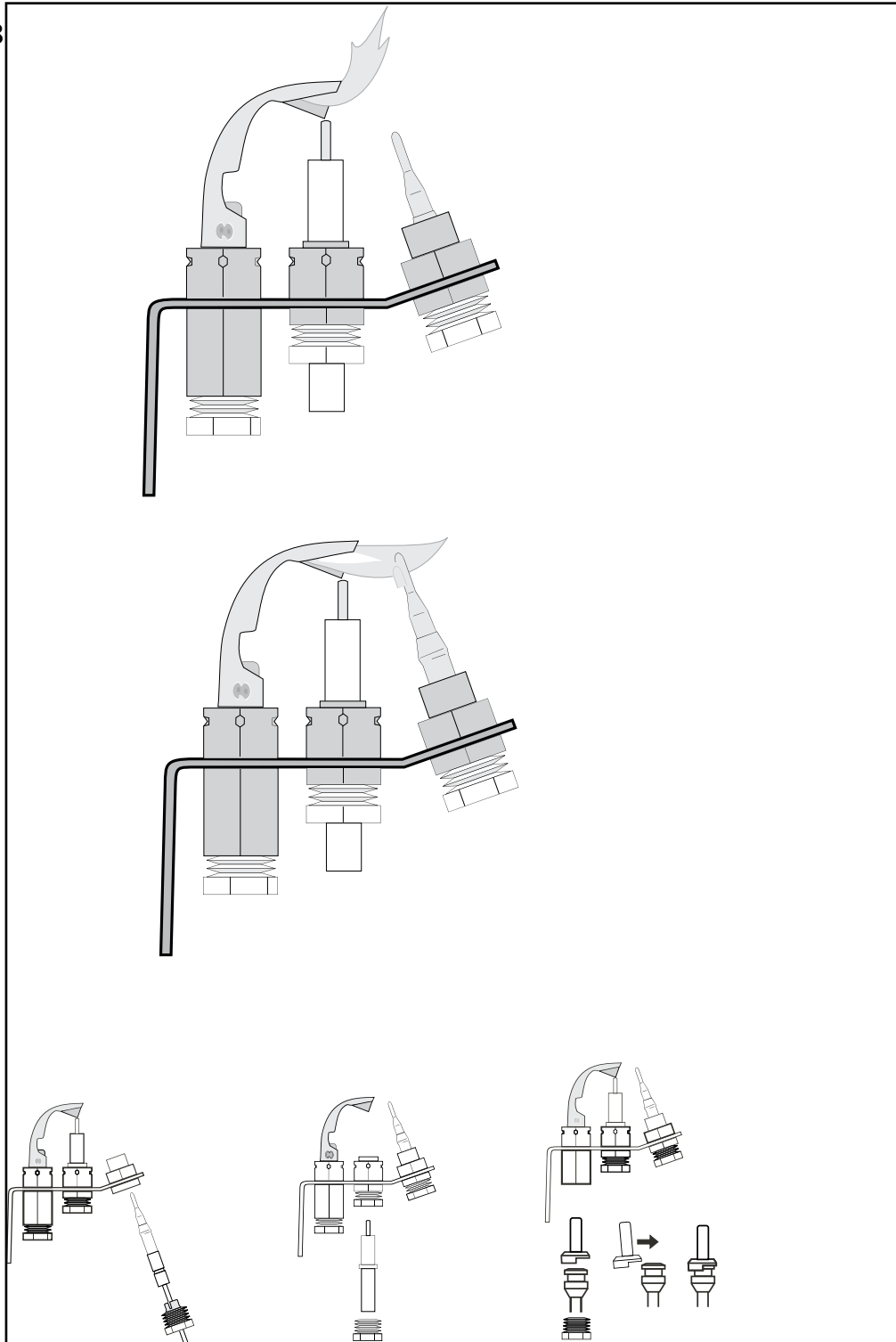
SIT 0145 019



| | |
|--------------------|---------------|
| Technical Bulletin | TB105 |
| Product Group | Nestor Martin |
| Edition No: | 3 |
| Date | 03/2011 |

Gas Pilot Assembly Identification

Part number 30978



SIT 0145 030

Thermocouple

Igniter

Pilot jet

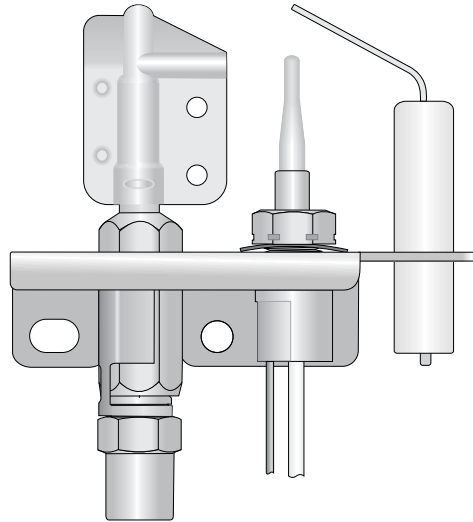


| | |
|--------------------|---------------|
| Technical Bulletin | TB105 |
| Product Group | Nestor Martin |
| Edition No: | 3 |
| Date | 03/2011 |

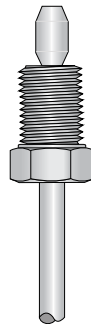
Gas Pilot Assembly Identification

Part number 34589

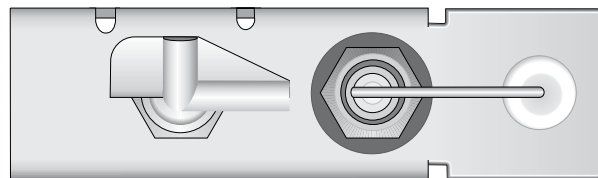
Side View



Oxypilot 00 27 9 04



Top View



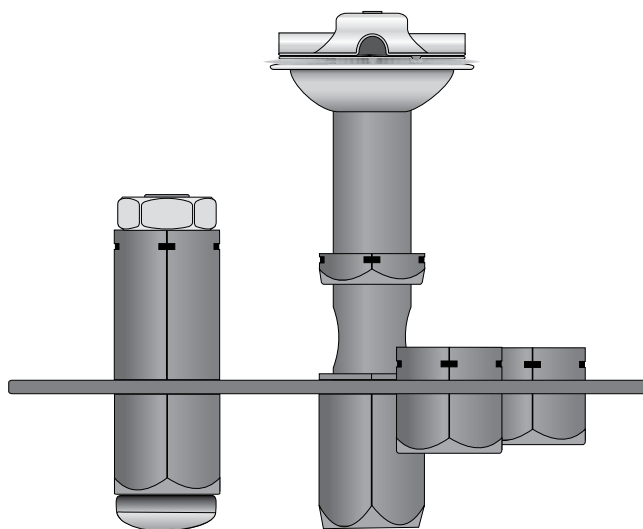


| | |
|--------------------|---------------|
| Technical Bulletin | TB105 |
| Product Group | Nestor Martin |
| Edition No: | 3 |
| Date | 03/2011 |

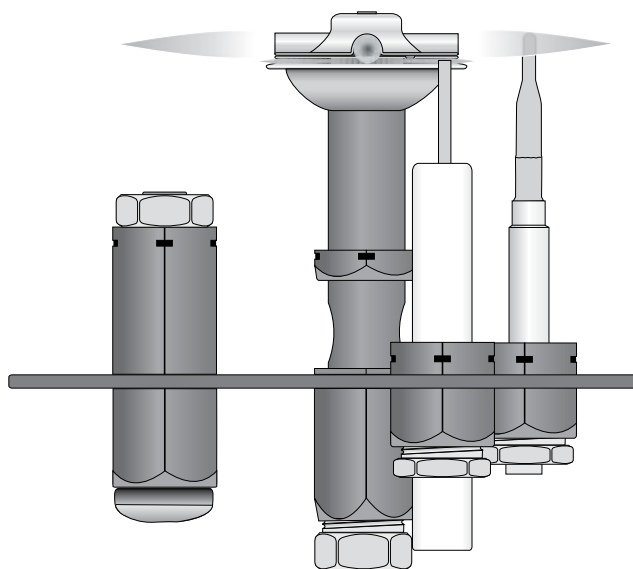
Gas Pilot Assembly Identification

Part number 37915

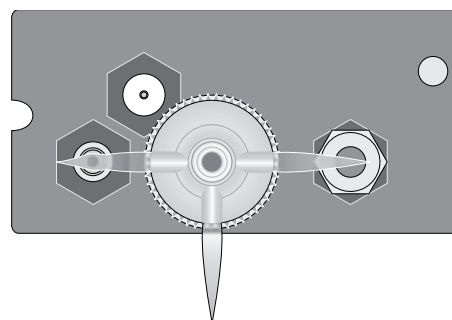
The "space ship" head on the pilot assembly is fused as part of the whole assembly. The pilot jet fits into the bottom of the pilot assembly.



Side View with Thermocouple and igniter



This pilot assembly is no longer available. Pilot assembly 406534 can be used to replace it. A new pilot jet will be required as this is a top fit pilot jet and this is included in the kit.



Top View



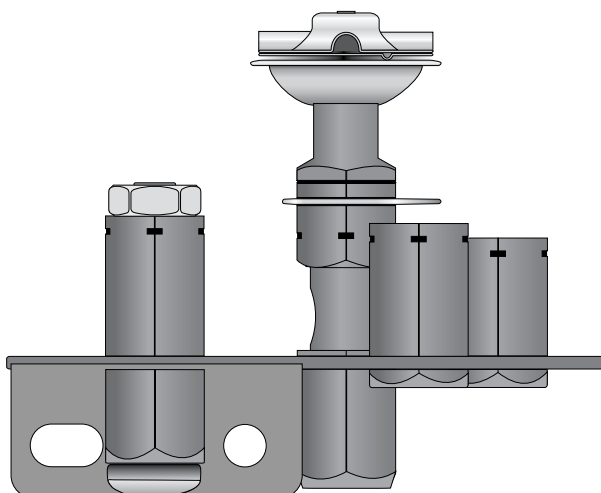
| | |
|--------------------|---------------|
| Technical Bulletin | TB105 |
| Product Group | Nestor Martin |
| Edition No: | 3 |
| Date | 03/2011 |

Gas Pilot Assembly Identification

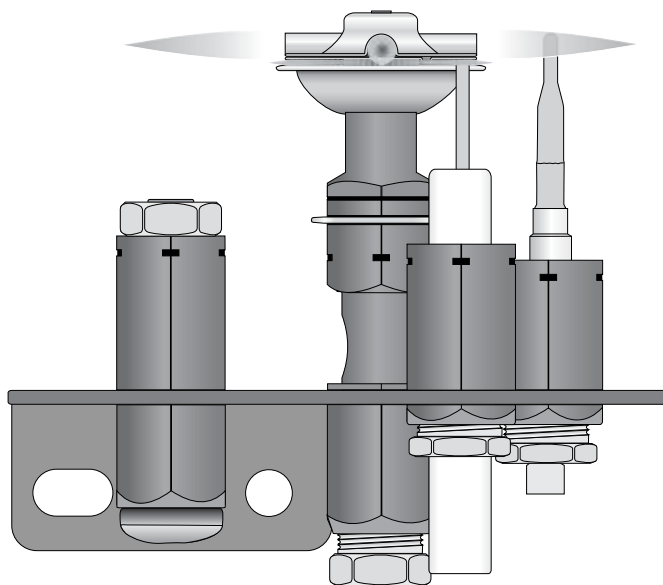
Part number MS9160

The "space ship" head on the pilot assembly can be removed and is held in place by a retaining circlip.

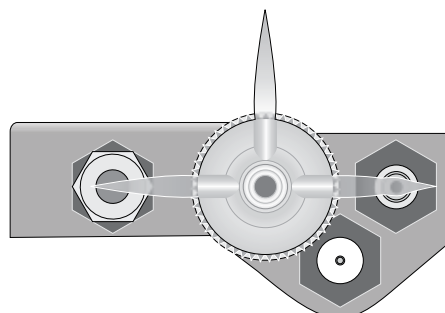
Side View



Side View with Thermocouple and igniter



Top View



SIT 0190656 0041



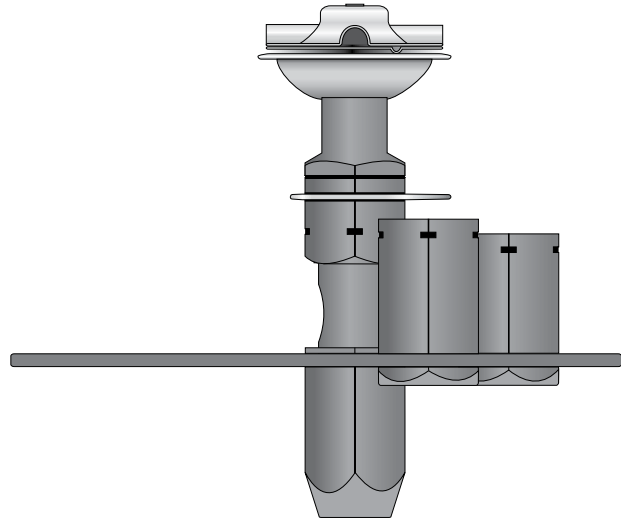
| | |
|--------------------|---------------|
| Technical Bulletin | TB105 |
| Product Group | Nestor Martin |
| Edition No: | 3 |
| Date | 03/2011 |

Gas Pilot Assembly Identification

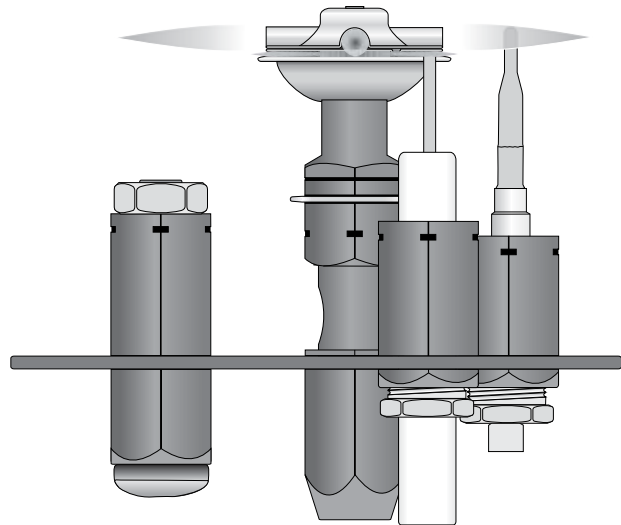
Part number 40653

The "space ship" head on the pilot assembly can be removed and is held in place by a retaining circlip.

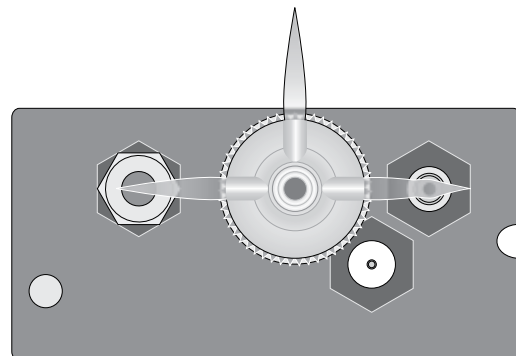
Side View



Side View with Thermocouple and igniter



Top View



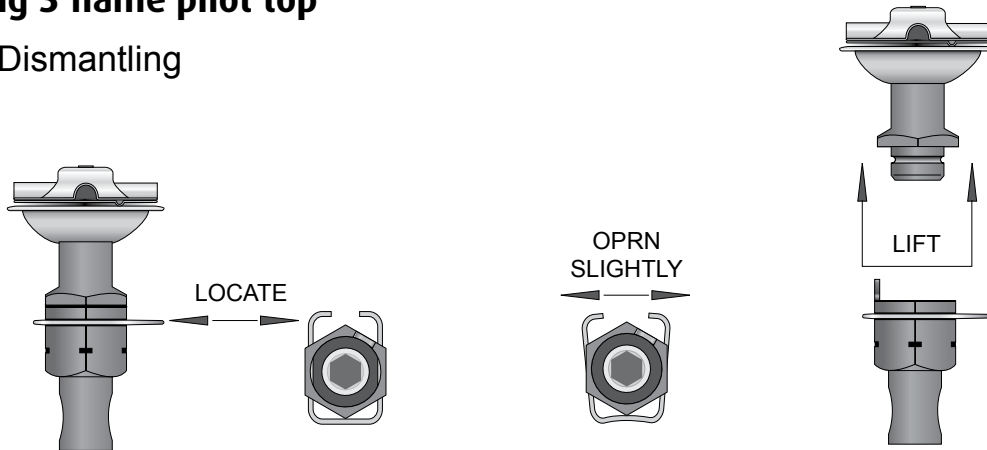


| | |
|--------------------|---------------|
| Technical Bulletin | TB105 |
| Product Group | Nestor Martin |
| Edition No: | 3 |
| Date | 03/2011 |

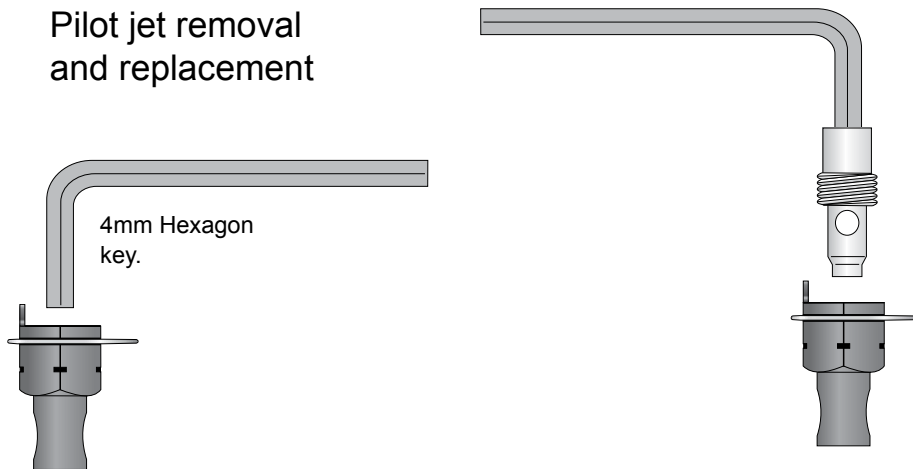
Gas Pilot Assembly Identification

Dismantling 3 flame pilot top

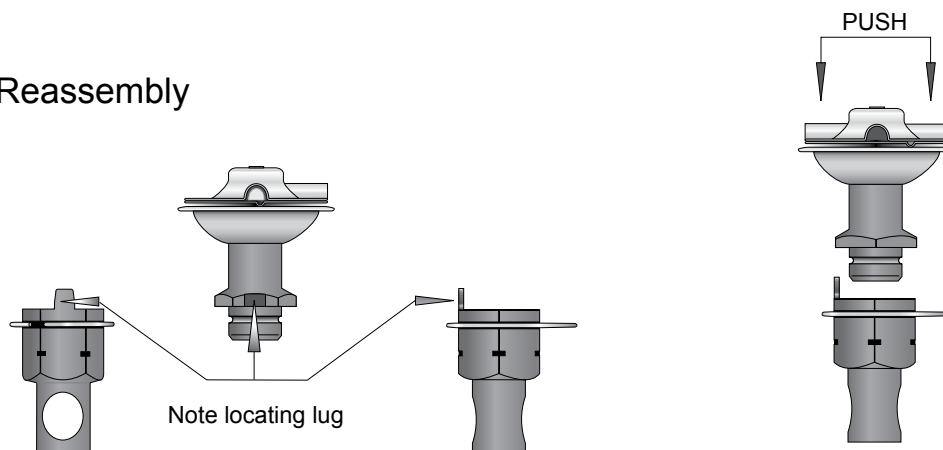
Dismantling



Pilot jet removal and replacement



Reassembly

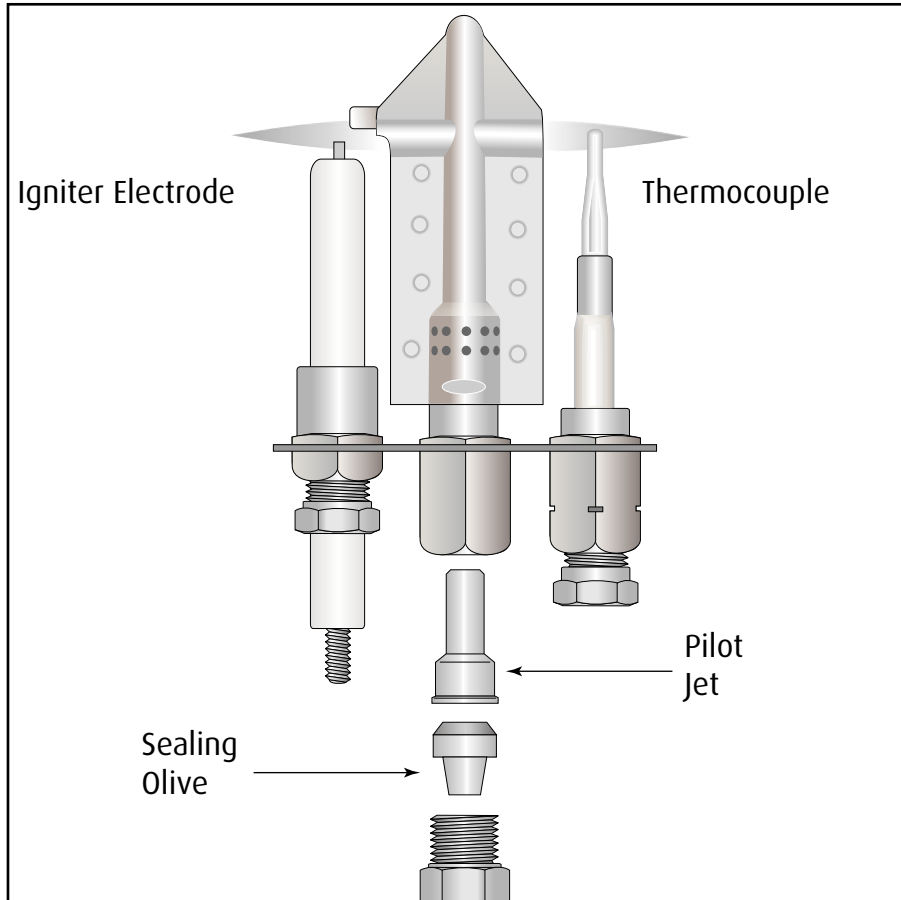




| | |
|--------------------|---------------|
| Technical Bulletin | TB105 |
| Product Group | Nestor Martin |
| Edition No: | 3 |
| Date | 03/2011 |

Gas Pilot Assembly Identification

Part number 45933



Flat Blade Maxitrol Pilot Assembly.

Used on the following models: Harmony 14, Harmony 24, Harmony 34, Harmony 44, Harmony 15, Harmony 25, Harmony 35, Harmony 45.

Stanford 14, Stanford 24, Stanford 34, Stanford 44, Stanford 15, Stanford 25, Stanford 35.