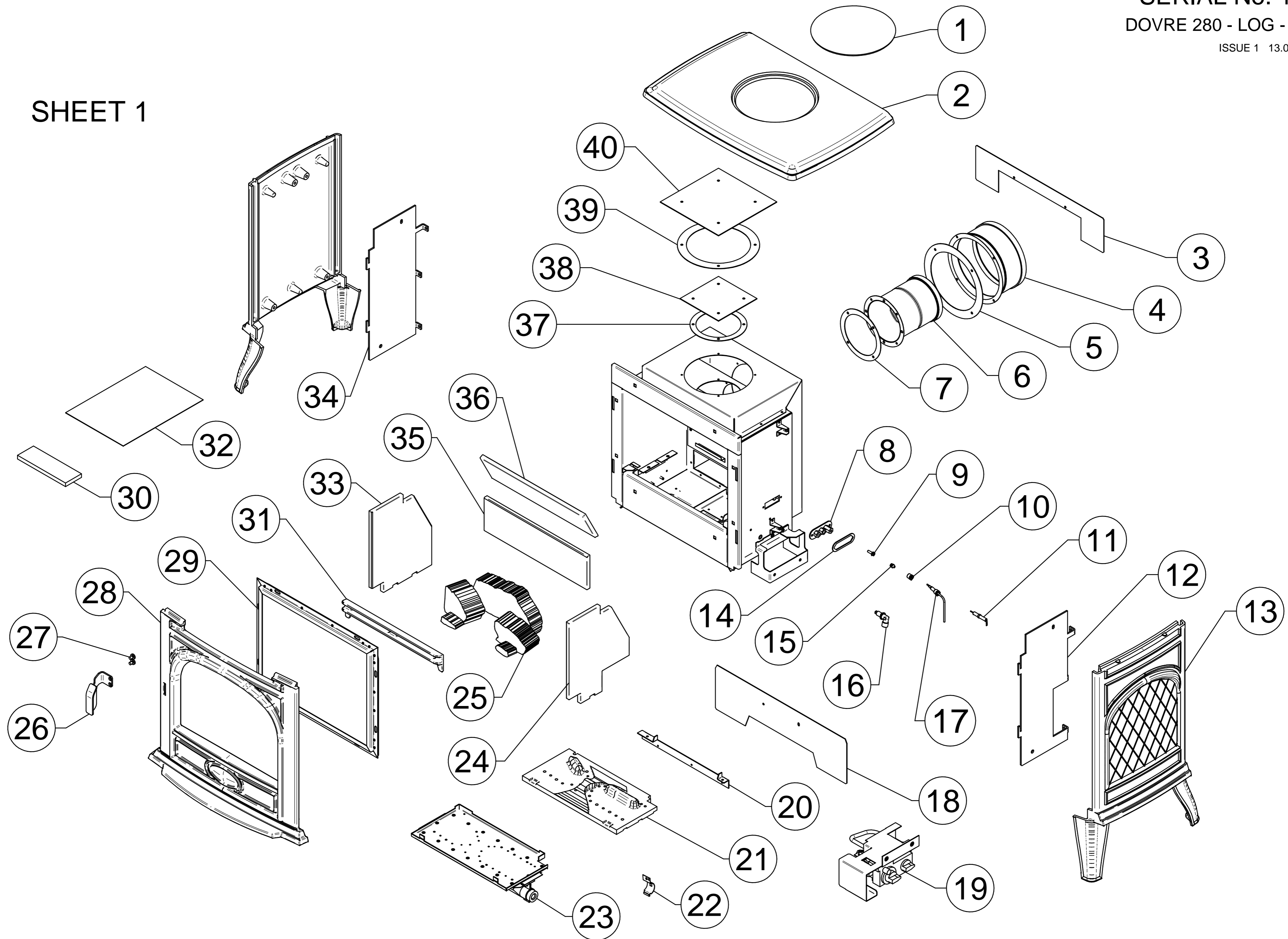


SHEET 1



SHEET 2



SHEET 1

Item Number	Component Number	Title	Quantity
1	DV-03.15347.002	BLANKING PLATE - MATT BLACK	1
1	DV-03.15347.082	BLANKING PLATE - IVORY ENAMEL	1
1	DV-03.15347.084	BLANKING PLATE - BLACK ENAMEL	1
1	DV-03.15347.086	BLANKING PLATE - MAJOLICA BROWN ENAMEL	1
1	DV-03.15347.087	BLANKING PLATE - IVORY WHITE ENAMEL	1
2	DV-03.69201.002	TOP PLATE CASTING - MATT BLACK	1
2	DV-03.69201.082	TOP PLATE CASTING - IVORY ENAMEL	1
2	DV-03.69201.084	TOP PLATE CASTING - BLACK ENAMEL	1
2	DV-03.69201.086	TOP PLATE CASTING - MAJOLICA BROWN ENAMEL	1
2	DV-03.69201.087	TOP PLATE CASTING - IVORY WHITE ENAMEL	1
3	GZ7048	REAR AIRDUCT COVER	1
4	MEC0232	OUTER SPIGOT	1
5	CE0211	OUTER SPIGOT GASKET	1
6	MEC0231	INNER SPIGOT	1
7	CE0210	INNER SPIGOT GASKET	1
8	PI0051	PILOT BODY	1
9	PI0015	PILOT BURNER INJECTOR	1
10	PI0014	HOOK NUT	1
11	PI0053	ELECTRODE	1
12	GZ6222	RH FIREBOX LOCATION PLATE	1
13	DV-03.79189.005	LH & RH SIDE CASTING - MATT BLACK	1
13	DV-03.79189.082	LH & RH SIDE CASTING - IVORY ENAMEL	1
13	DV-03.79189.084	LH & RH SIDE CASTING - BLACK ENAMEL	1
13	DV-03.79189.086	LH & RH SIDE CASTING - MAJOLICA BROWN ENAMEL	1
13	DV-03.79189.087	LH & RH SIDE CASTING - IVORY WHITE ENAMEL	1
14	PI0052	PILOT GASKET	1
15	PI0013	HOOK OLIVE	1
16	IN0054	ELBOW INJECTOR - SIZE 110	1
17	PI0011	THERMOCOUPLE	1
18	GZ7045	SKIRT	1
19	B0216	CONTROL ASSY	1
20	GZ9553	REAR LOG RETAINER	1
21	CE1024	BASE CERAMIC PANEL	1
22	GZ3869	AERATION PLATE - ID LETTER K	1
23	GZ9647	BURNER ASSEMBLY	1
24	CE1014	RH CERAMIC PANEL	1
25	CE0960	LOG SET	1

SHEET 1 CONTINUED

Item Number	Component Number	Title	Quantity
26	GZ6977	DOOR HANDLE	1
27	FA0063	M6 x 8mm LG POZI PAN HEAD SCREW	2
28	DV-03.24435.005	FRONT CASTING - MATT BLACK	1
28	DV-03.24435.082	FRONT CASTING - IVORY ENAMEL	1
28	DV-03.24435.084	FRONT CASTING - BLACK ENAMEL	1
28	DV-03.24435.086	FRONT CASTING - MAJOLICA BROWN ENAMEL	1
28	DV-03.24435.087	FRONT CASTING - IVORY WHITE ENAMEL	1
29	GZ6225	GLASS FRAME ASSEMBLY	1
30	GZ8471	EMBAGLOW	1
31	CA0744	LOG RETAINER	1
32	PR0983	INSTRUCTION MANUAL	1
33	CE1013	LH CERAMIC PANEL	1
34	GZ6221	LH FIREBOX LOCATION PLATE	1
35	CE1015	BACK CERAMIC PANEL	1
36	CE1030	TOP CERAMIC PANEL	1
37	CE0210	INNER FLUE SPIGOT GASKET	1
38	GZ1320	INNER FLUE BLANKING PLATE	1
39	CE0211	OUTER FLUE SPIGOT GASKET	1
40	GZ1321	OUTER FLUE BLANKING PLATE	1

SHEET 2

Item Number	Component Number	Title	Quantity
1	GC0088K	CONTROL VALVE	1
2	GC0087	CONTROL VALVE COVER	1
3	GC0166	MAG. UNIT	1
4	EL0241	MICRO SWITCH & SCREW	1
5	EL0239	STANDARD HANDSET	1
6	EL0240	THERMOSTATIC HANDSET	1
7	EL0235	STANDARD RECEIVER	1
8	EL0236	THERMOSTATIC RECEIVER	1
9	EL0238	THERMOSTATIC RECEIVER CABLE	1
10	EL0237	STANDARD RECEIVER CABLE	1
11	EL0234	GEARED MOTOR	1
12	GC0090	IGNITION LEAD	1