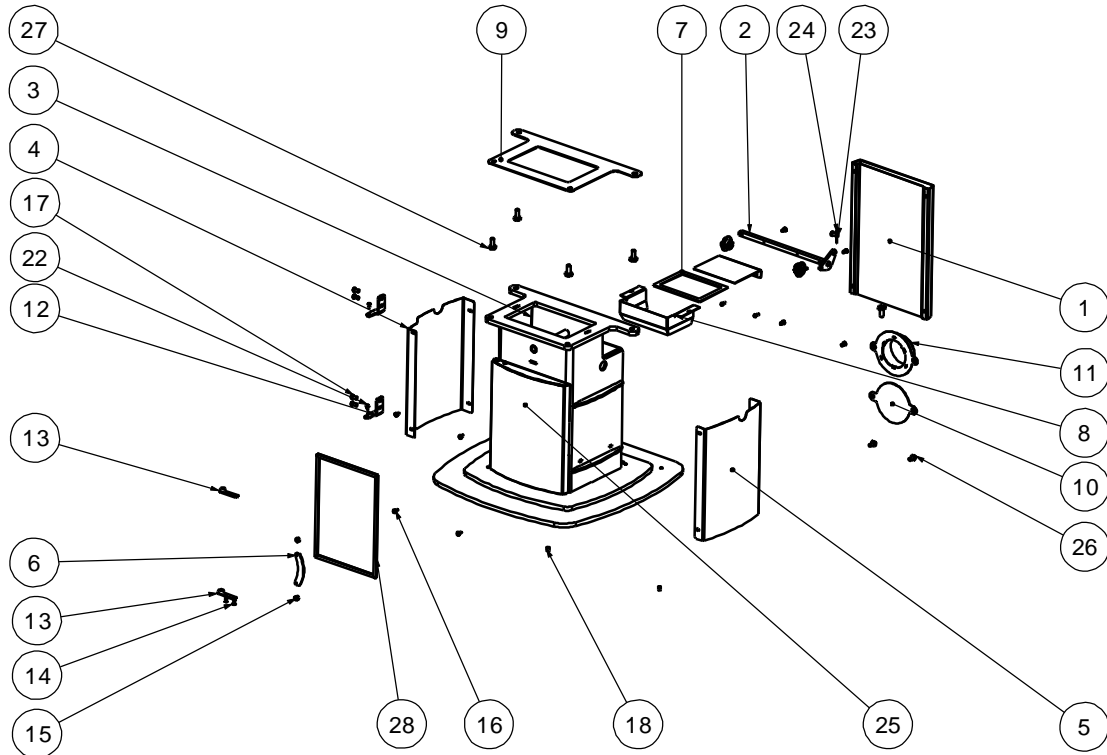




Issue A



Item	Part No.	Description	Ex.Vat.	Inc.Vat.	Item	Part No.	Description	Ex.Vat.	Inc.Vat.
1	004/KS037	Rear Air Duct	48.00	57.60	15	008/FFM041	Magnet 10x5	2.40	2.88
2	004/KS038	Ash Flap Assy	52.50	63.00	16	008/FFS003	M5x10	0.20	0.24
3	010/KS042	Base Assembly	130.00	156.00	17	008/FFS076	M6 Button Hd	0.30	0.36
4#	004/KS072	LH Column Side	39.50	47.40	18	008/FFS068	M8x10 Grub Screw	0.99	1.19
5#	004/KS073	RH Column Side	39.50	47.40	19*	008/FFN004	M6 Nut	0.10	0.12
6	010/KS079	Door Finger Plate	14.50	17.40	20*	008/FFW002	Washer 14x6	0.10	0.12
7	008/KS081	Gasket Ash Flap	13.10	15.72	21*	008/FFP001	Split Pin	0.10	0.12
8	004/KS082	Ash Guide	39.50	47.40	22	008/FFR003	Rivet 4.7 Dia Rd Hd	0.63	0.76
9	008/KS083	Gasket Column	13.10	15.72	23	008/FFP007	Clevis M6	0.60	0.72
10	004/KS091	Blanking Plate	9.35	11.22	24	008/FFP009	R Pin	0.50	0.60
11	004/KS092	Air Duct Coupling	36.00	43.20	25#	004/KS112	Ash Door Assy	63.00	75.60
12	010/ES06/27	Hinge Lower	14.70	17.64	26	008/FFS027	Bolt M6 x 12	0.30	0.36
13	010/KS111	Ash Door Hinge	6.75	8.10	27	008/FFS059	Bolt M8 x 20	0.30	0.36
14	008/FFR007	Pop Rivet 3.2 x 6	0.20	0.24	28	008/ES06/23	Seal (Ash Door)	4.60	5.52

* These items are not shown on the drawing

Please specify colour when ordering Prices are shown in pounds sterling with vat at 20% They are correct at the date shown but may be subject to change without notice. E. & O.E These prices are subject to a carriage charge.

To obtain spare parts please contact your local stockist giving Model, Part No. and Description. In case of difficulty contact the manufacturer at the address shown. This drawing is for identification purposes only.

