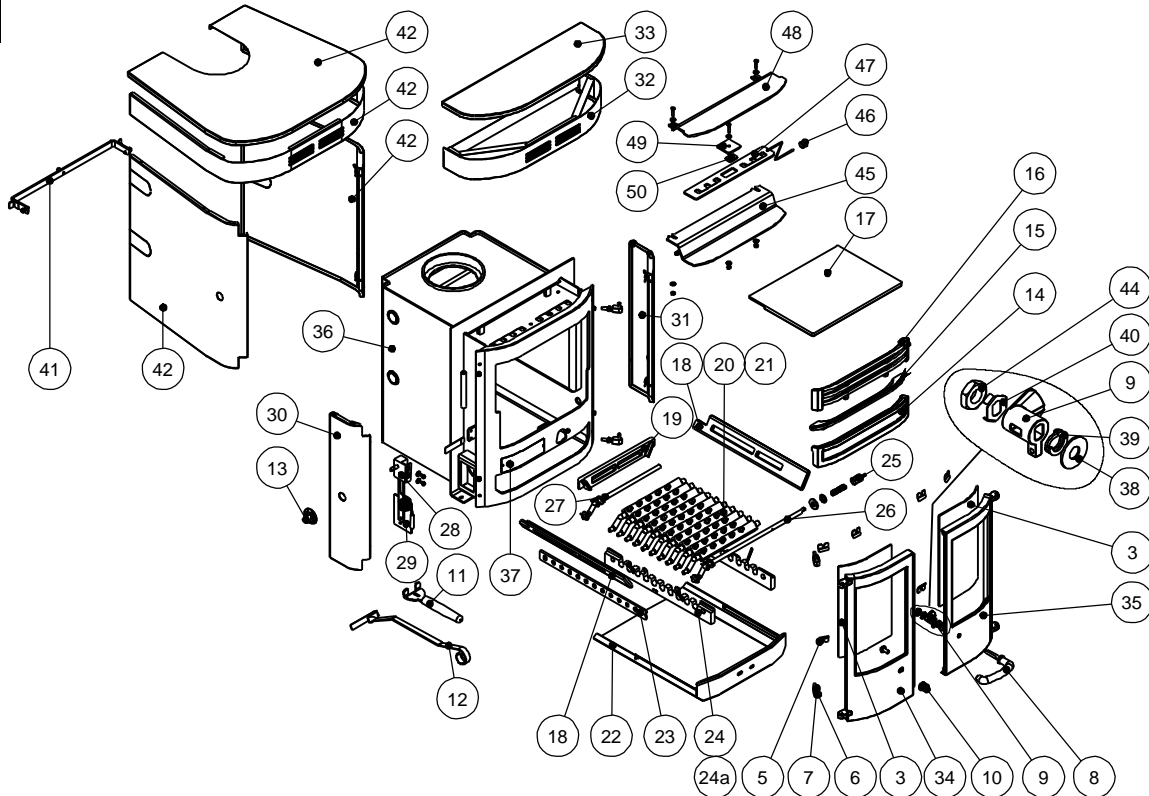




Issue C



Item	Part No.	Description	Ex.Vat.	Inc.Vat.	Item	Part No.	Description	Ex.Vat.	Inc.Vat.
1*	008/KV35S	Door Seal Set Inc. Adhesive	32.50	39.00	26	012/KV19	Riddler Rod	39.00	46.80
2*	008/FW29	Door Seal Adhesive	7.50	9.00	27	012/CG05	Idler Rod	37.50	45.00
3	006/KV18	Glass (Inc Seal)	81.00	97.20	28	008/FW48	Thermostat	59.00	70.80
4*	008/KV55	Glass Seal Kit	13.80	16.56	29	008/FV49	Thermostat Flap	10.80	12.96
5	004/KV23	Glass Retainer	0.76	0.91	30#	005/KV04	L.H. Side Panel	118.00	141.60
6	008/TV27	Hinge Post	8.55	10.26	31#	005/KV05	R.H. Side Panel	118.00	141.60
7	008/BW39/S	Hinge Pin Set	4.15	4.98	32#	005/KV06	Lower Hood Panel	166.00	199.20
8	008/KV16	R.H. Door Handle	24.00	28.80	33#	005/KV09	Top Hood Panel	152.00	182.40
9	002/KV14	Door Catch Cam	11.10	13.32	34#	003/TV01/SLX/A	L.H. Door Assembly	210.00	252.00
10	008/KV13	L.H. Door Knob	3.85	4.62	35#	003/TV02/SLX/A	R.H. Door Assembly	235.00	282.00
11	010/RW21	Ashpan/Riddling Tool	29.50	35.40	36	009/SLX45/A	Replacement Firebox/Boiler Assy.		
12	012/FW34	Scraper Tool	14.30	17.16	37	012/KV12	Serial No. Label		
13	008/BW50	Thermostat Knob	5.25	6.30	38	008/FFW010	Washer	0.10	0.12
14	002/KV07	Front Firebar	58.50	70.20	39	008/FFW015	M12 Double Coil Spring Washer	2.40	2.88
15	002/KV11	Front Firebar Back Plate	58.50	70.20	40	004/ST008	Tabbed Locking Washer	1.58	1.90
16	002/KV08	Deepening Bar	57.00	68.40	41**	010/KV29	Freestanding Panel Fixing Bracket	14.70	17.64
17	002/AV31	Throat Plate	98.00	117.60	42*#	020/KV52	Freestanding Panel Pack	1025.00	1230.00
18	002/FW15	Side Fire Plate	48.00	57.60	43*	010/FW51	Ash Carrier (Optional Extra)	128.00	153.60
19	002/FW16	Back Fire Plate	39.00	46.80	44	008/FFN001	12mm Halfnut	0.23	0.28
20	002/CG01	Bottom Grate Bar	18.30	21.96	45	010/XV05	Airwash Manifold	40.50	48.60
21	002/CG01S10	Set of Grate Bars (10)	150.00	180.00	46	002/TW13	Air Slide Knob	19.90	23.88
22	004/KV17	Ashpan	84.00	100.80	47	012/XV09	Airwash Slide	43.00	51.60
23	012/KV33	Mover Bar	51.00	61.20	48	010/KV34	Air Inlet Manifold	55.00	66.00
24	002/KV30	Carrier Bar	56.50	67.80	49	012/XV09/03	Airwash Slide Retainer	2.55	3.06
24a	008/BW40	Carrier Bar Roll Pin (Pair)	5.25	6.30	50	012/XV09/02	Airwash Slide Guide	2.55	3.06
25	002/CG06	Riddler Knob	22.50	27.00					

* These items are not shown on the drawing.

Please specify colour when ordering.

** These items are included in the Freestanding Panel Pack Prices are shown in pounds sterling with vat at 20%

They are correct at the date shown but may be subject to change without notice. E. & O.E These prices are

subject to a carriage charge

To obtain spare parts please contact your local stockist giving Model, Part No. and Description. In case of difficulty contact the manufacturer at the address shown. This drawing is for identification purposes only.

