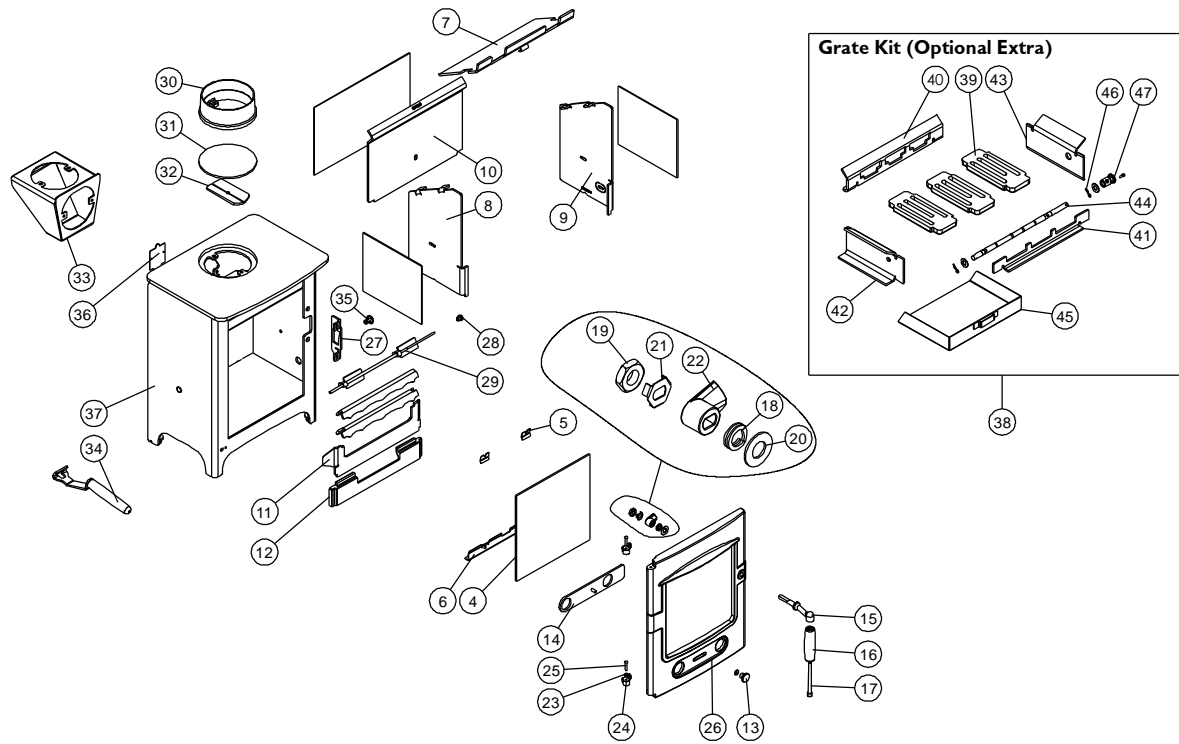




Issue G



Item	Part No.	Description	Ex.Vat.	Inc.Vat.	Item	Part No.	Description	Ex.Vat.	Inc.Vat.
1*	008/PV21	Door Seal	12.50	15.00	25	008/FFR003	Hinge Pin	0.63	0.76
2*	008/FW29	Door Seal Adhesive	7.50	9.00	26#	002/FR001/A	Door Assembly		
3*	008/PV55	Glass Seal Kit	13.80	16.56	27	010/FR016	Latch Bracket	10.70	12.84
4	006/PV19	Glass (Inc Seal)	43.00	51.60	28	008/FR018	Airwash Control Knob	11.20	13.44
5	004/KV23	Glass Retainer (Top)	0.76	0.91	29	004/EY48	Airwash Slide	39.50	47.40
6	004/FR020	Glass Retainer (Lower)	9.20	11.04	30#	002/PV12B	Flue Collar	62.00	74.40
7	010/PV31	Throat Plate	56.50	67.80	31	012/PV09	Blanking Plate	26.50	31.80
8	010/BR059L	L.H.Side Fire Plate Inc Gasket	47.00	56.40	32	010/EY51	Clamping Plate	21.00	25.20
9	010/BR059R	R.H. Side Fire Plate Inc Gasket	47.00	56.40	33#	010/BU034	Vertical Rear Flue Adapter (Optional Ex	132.00	158.40
10	010/FR058	Back Fire Plate Inc Gasket	50.50	60.60	34	012/BV20/A	Ashpan Tool	29.50	35.40
11	010/FR008	Fence Assembly	48.00	57.60	35	004/DY22	Riddler Blanking Disc	5.05	6.06
12	002/EY24	Wood Ash Retainer	53.50	64.20	36	012/FR011	Serial No Label		
13	008/FR017	Air Slide Knob	11.20	13.44	37#	001/FR010	Firebox		
14	010/FR002	Air Slide	16.90	20.28	38	010/EY20	Grate Kit (Optional Extra)	186.00	223.20
15	002/FR003	Handle Casting	25.50	30.60	39	002/EY03	Grate Plate	37.50	45.00
16	008/FR012	Wooden Handle	14.10	16.92	40	010/EY09	Rear Grate Support	37.50	45.00
17	008/FFB007	M8 x 100mm Socket Head Bolt	0.50	0.60	41	010/EY06	Front Grate Support	37.50	45.00
18	008/FFW015	M12 Double Coil Spring Washer	2.40	2.88	42	010/EY04	L.H. Side Grate Support	37.50	45.00
19	008/FFN001	M12 Nut	0.23	0.28	43	010/EY05	R.H. Side Grate Support	37.50	45.00
20	008/FFW008	M12 Washer	0.10	0.12	44	010/EY13	Riddler Rod Assembly	38.50	46.20
21	004/ST008	Tab Washer	1.58	1.90	45	004/PV17	Ashpan	39.00	46.80
22	002/AY14	Door Catch	11.20	13.44	46	008/DY23	Riddler Rod Retaining Clips	13.80	16.56
23	002/BR020	Hinge Casting	12.80	15.36	47	002/DY21	Riddler Knob	24.00	28.80
24	008/FFW026	M6 Heavy Brass Washer	0.15	0.18	48#	010/EW51	Ash Carrier (Optional Extra)	132.00	158.40

* These items are not shown on the drawing. Prices are shown in pounds sterling with vat at 20% They are correct at the date shown but may be subject to change without notice. E. & O.E These prices are subject to a carriage charge.

To obtain spare parts please contact your local stockist giving Model, Part No. and Description. In case of difficulty contact the manufacturer at the address shown. This drawing is for identification purposes only.

