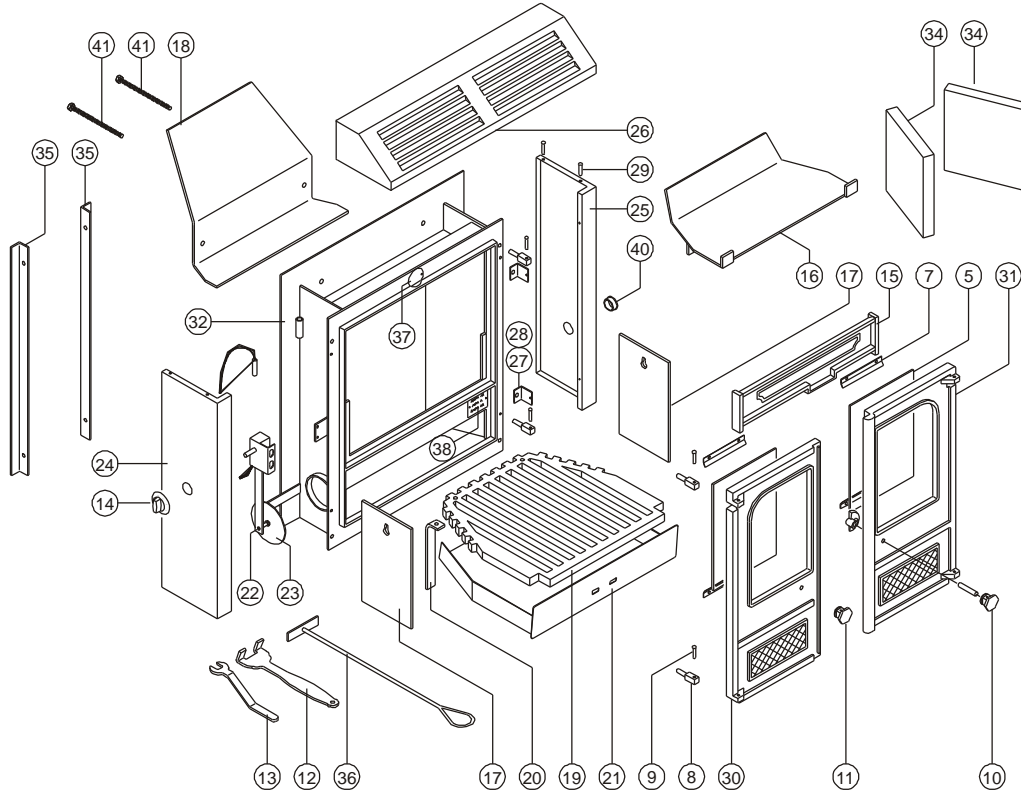




Issue H



Item	Part No.	Description	Ex.Vat.	Inc.Vat.	Item	Part No.	Description	Ex.Vat.	Inc.Vat.
3*	008/RW35/S	Door Seal Set Incl. Adhesive	32.50	39.00	22	008/BW49	Thermostat	66.00	79.20
4*	008/FW29	Door Seal Adhesive	7.50	9.00	23	008/BW57	Thermostat Flap 90mm Dia	10.10	12.12
5	006/RW18	Glass (Inc Seal)	77.00	92.40	24#	005/RW05	Side Panel L.H.	104.00	124.80
6*	008/RW55	Glass Seal Kit	14.50	17.40	25#	005/RW04	Side Panel R.H.	104.00	124.80
7	004/EW23	Glazing Bar	4.40	5.28	26#	005/RW06	Hood Panel	154.00	184.80
8	008/FW27	Hinge Post	7.40	8.88	27	004/RW13	Panel Fixing Bracket	4.60	5.52
9	008/BW39/S	Hinge Pin Set	4.15	4.98	28	012/RW30	Hood & Panel Fixing Kit	14.70	17.64
10	008/RW43/A	Door Catch Assembly R.H.	25.50	30.60	29	008/WW14S	Hood Fixing Pin Set (4)	5.25	6.30
11	002/HV12	Door Knob L.H. (Round)	17.00	20.40	30#	003/RW01/A	Door L.H. Assembly	200.00	240.00
12	010/EV20	Ashpan Tool	NA		31#	003/RW02/A	Door R.H. Assembly	210.00	252.00
13	002/BW26	Door Opening Tool	12.10	14.52	32	001/EV10	Firebox (LA Firefront Mk I)		
14	008/BW50	Thermostat Knob	5.25	6.30	34	011/EV28S	Set of Firebricks (Optional)	90.00	108.00
15	002/FW07	Front Firebar	89.00	106.80	35	010/EV13S	Frame Kit (Optional)	45.00	54.00
16	010/EV09	Throat Plate	79.00	94.80	36	012/FW34	Scraper Tool	14.30	17.16
17	010/EV04	Side Plate	25.00	30.00	37	008/RW09	Secondary Air Flap	4.95	5.94
18	010/EV03	Clamping Plate	40.50	48.60	38	012/EV08	Serial Number Label	NA	
19	002/EV12	Bottom Grate	69.00	82.80	39*	010/EV51	Ash Carrier (Optional Extra)	132.00	158.40
20	010/EV11	Grate Leg	3.60	4.32	40	012/EV14	Bung	15.30	18.36
21	004/EV17	Ashpan (Tapered)	83.00	99.60	41	010/EV18	Clamping Bolt	5.05	6.06

* These items are not shown on the drawing. Prices are shown in pounds sterling with vat at 20% They are correct at the date shown but may be subject to change without notice. E. & O.E These prices are subject to a carriage charge.

To obtain spare parts please contact your local stockist giving Model, Part No. and Description. In case of difficulty contact the manufacturer at the address shown. This drawing is for identification purposes only.

