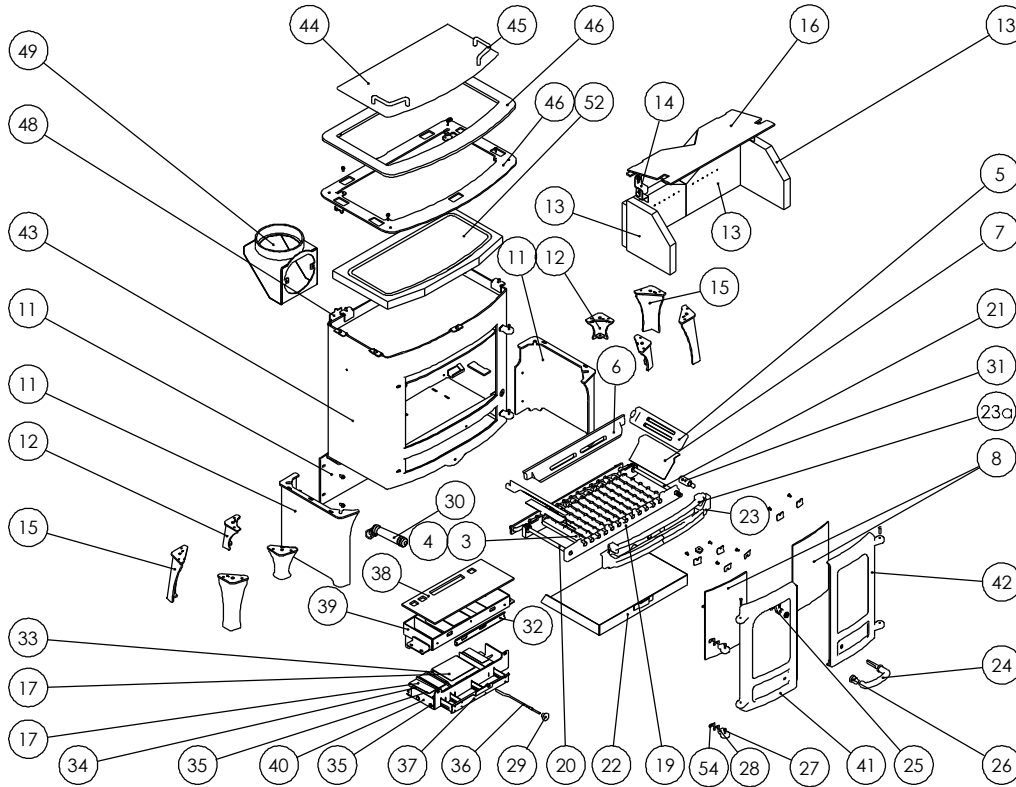




Issue E



| Item | Part No. | Description | Ex.Vat. | Inc.Vat. | Item | Part No. | Description | Ex.Vat. | Inc.Vat. |
|------|-------------|-----------------------------------|---------|----------|------|-------------|---|---------|----------|
| 1* | 008/BY35S | Door Seal Set Inc. Adhesive | 21.00 | 25.20 | 27 | 008/BW39/S | Hinge Pin Set | 4.15 | 4.98 |
| 2* | 008/FW29 | Door Seal Adhesive | 7.50 | 9.00 | 28 | 002/PY24 | Hinge Post | 17.90 | 21.48 |
| 3 | 002/CG20 | Bottom Grate Bar | 18.30 | 21.96 | 29 | 008/AY37 | Air Control Knob | 5.25 | 6.30 |
| 4 | 002/CG20S12 | Set of Grate Bars (12) | 178.00 | 213.60 | 30 | 010/AY34 | Riddling/Ashpan Tool | 30.00 | 36.00 |
| 5 | 002/CY15 | Side Fire Plate | 39.00 | 46.80 | 31 | 002/AY27 | Riddler Knob | 23.50 | 28.20 |
| 6 | 002/BY16 | Back Fire Plate | 72.00 | 86.40 | 32 | 004/AY21 | Air Bypass Slide | 23.50 | 28.20 |
| 7 | 004/BY24 | Ash Shedding Plate | 18.30 | 21.96 | 33 | 004/AY22-1P | Primary Air Inlet Flap | 23.50 | 28.20 |
| 8 | 006/BY18 | Glass (Inc Seal) | 87.00 | 104.40 | 34 | 004/AY22-1S | Secondary/Bypass Air Inlet Flap | 23.50 | 28.20 |
| 9* | 008/AY45 | Glass Seal | 13.80 | 16.56 | 35 | 004/AY24-02 | Flap Mounting Rod (Inc. Fixings) | 11.20 | 13.44 |
| 10 | 004/KV23 | Glass Retainer | 0.76 | 0.91 | 36 | 004/BY23-07 | Air Control Rod | 16.20 | 19.44 |
| 11# | 010/BY87 | Store Stand | 240.00 | 288.00 | 37 | 004/AY23 | Actuator Assembly | 57.00 | 68.40 |
| 12# | 010/BY12S | Set Short Legs | 86.00 | 103.20 | 38 | 008/AY39 | Upper Quattro Box Gasket | 20.50 | 24.60 |
| 13 | 011/BY48S | Set of Fire Bricks (4) | 94.00 | 112.80 | 39 | 010/AY20 | Upper Quattro Box | 89.00 | 106.80 |
| 14 | 004/XV30 | Brick Retainer | 4.00 | 4.80 | 40 | 010/AY19 | Lower Quattro Box | 57.00 | 68.40 |
| 15# | 010/BY13S | Set High Legs | 102.00 | 122.40 | 41# | 002/BY01/A | Left Hand Door Assembly | 225.00 | 270.00 |
| 16 | 010/BY47 | Throat Plate | 91.00 | 109.20 | 42# | 002/BY02/A | Right Hand Door Assembly | 235.00 | 282.00 |
| 17 | 008/AY26S | Set of Air Inlet Flap Pads | 19.30 | 23.16 | 43 | 001/WS10 | Firebox (Island Ilect) | | |
| 18 | 012/BY33 | Mover Bar | 52.50 | 63.00 | 44 | 010/WS22 | Lid | 45.50 | 54.60 |
| 19 | 002/BY30 | Carrier Bar | 56.50 | 67.80 | 45 | 008/WS40 | Lid Handle | 24.00 | 28.80 |
| 20 | 012/AY13 | Idler Rod | 37.50 | 45.00 | 46 | 010/WS13 | Top Frame | 66.00 | 79.20 |
| 21 | 012/AY15 | Riddler Rod | 38.50 | 46.20 | 48 | 012/WS11 | Serial No. Label | | |
| 22 | 004/BY17 | Ashpan | 91.00 | 109.20 | 49# | 010/TW33 | Vert. Rear Flue Connector (Opt'l Extra) | 132.00 | 158.40 |
| 23 | 002/BY07B | Front Firebar | 67.00 | 80.40 | 50* | 010/BW51 | Ash Carrier (Optional Extra) | 132.00 | 158.40 |
| 23a | 002/BY08 | Deepening Bar | 56.50 | 67.80 | 51* | 010/BY83 | Smoke Reducing Kit | 59.50 | 71.40 |
| 24 | 008/KV16 | R.H. Door Handle | 24.00 | 28.80 | 52 | 008/WS36 | Soapstone Cooktop | 255.00 | 306.00 |
| 25 | 002/AY14 | Door Catch Cam | 11.20 | 13.44 | 53* | 010/TH63 | External Air Kit | 140.00 | 168.00 |
| 26 | 008/KV13 | L.H. Door Knob | 3.85 | 4.62 | 54 | 004/PY25B | Hinge Post Shim | 0.57 | 0.68 |

* These items are not shown on the drawing.

Please specify colour when ordering. Prices are shown in pounds sterling with vat at 20% They are correct at the date shown but may be subject to change without notice. E. & O.E These prices are subject to a carriage charge.

To obtain spare parts please contact your local stockist giving Model, Part No. and Description. In case of difficulty contact the manufacturer at the address shown. This drawing is for identification purposes only.

