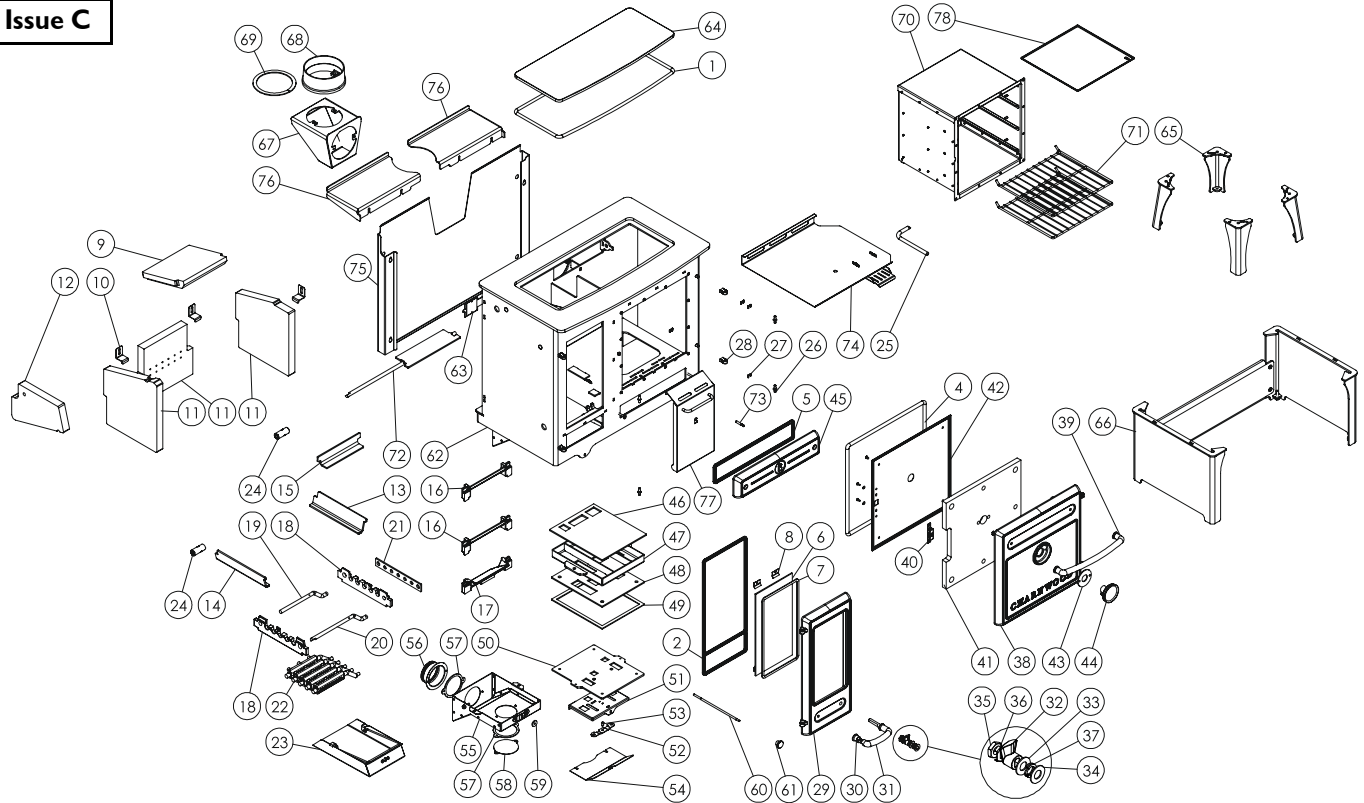




Issue C



Item	Part No.	Description	Ex.Vat.	Inc.Vat.	Item	Part No.	Description	Ex.Vat.	Inc.Vat.
1	008/DB136	Cook Plate Seal	30.00	36.00	40	008/FFM091	Door Catch Roller	17.80	21.36
2	008/DB005	Fire Door Seal	15.00	18.00	41	008/DB071	Door Insulation	12.50	15.00
3*	008/FW29	Door Seal Adhesive	7.50	9.00	42	004/DB070	Door Back	27.50	33.00
4	008/DB072	Oven Door Seal	25.00	30.00	43	008/DB073	Thermometer Gasket	1.50	1.80
5	008/DB137	Access Door Seal	13.00	15.60	44	008/DB074	Bimetal Thermometer	38.00	45.60
6	006/DB018	Glass	70.00	84.00	45#	003/DB004A	Access Door Assembly	62.00	74.40
7	008/DB003	Glass Seal	12.00	14.40	46	008/DB110	Gasket	12.00	14.40
8	004/KV23	Glass Retainer	0.76	0.91	47	010/DB020	Air Control Mounting Box	67.00	80.40
9	011/DB031	Throat Plate	23.00	27.60	48	008/DB109	Air Control Gasket	9.90	11.88
10	004/XV30	Brick Bracket	4.00	4.80	49	008/DB108	Air Control Cover Gasket	8.50	10.20
11	011/DB029S	Brick Set	66.00	79.20	50	010/DB130	Air Control Plate	24.80	29.76
12	011/DB034	Left Side Top Brick	23.00	27.60	51	004/DB115	Air Control Slider	30.00	36.00
13	010/DB015R	Right Side Fireplate	21.00	25.20	52	004/BR015	Clicker Retainer	3.85	4.62
14	010/DB015L	Left Side Fireplate	21.00	25.20	53	008/ES36/01	Brass Ball Catch	4.95	5.94
15	010/DB016	Back Fire Plate	19.50	23.40	54	004/DB081	Air Control Heat Shield	19.00	22.80
16	002/DB008	Deepening Bar	22.00	26.40	55	004/DB040	Air Control Cover	37.50	45.00
17	002/DB007	Front Fence	37.50	45.00	56	008/CR048	Spigot	7.90	9.48
18	002/SY30	Carrier Bar	35.00	42.00	57	008/CR063	Duct Gasket	5.25	6.30
19	012/DB077	Idler Rod	32.00	38.40	58	004/CR064	Blanking Plate	10.70	12.84
20	012/DB078	Riddler Rod	32.00	38.40	59	008/BR052	Felt Washer	1.24	1.49
21	012/SY33	Mover Bar	47.00	56.40	60	004/EZ016	Air Control Rod	14.50	17.40
22	002/CG015S	Fire Bar (Set of 5)	76.00	91.20	61	008/AY37	Air Control Knob	5.25	6.30
23	004/DB017	Ashpan	34.50	41.40	62	001/DB010	Firebox		
24	002/DB098	Riddling Boss	20.50	24.60	63	012/DB011	Serial Label		
25	012/EZ095	Riddler Handle	18.00	21.60	64	010/DB009	Cook Plate	98.00	117.60
26	008/ST073/4	Hinge Pin (Set of 4)	7.50	9.00	65#	010/CY65S	Legs Set	87.00	104.40
27	004/AP025	Spacer	0.50	0.60	66#	010/DB087	Store Stand	235.00	282.00
28#	002/AP024	Hinge	16.90	20.28	67	010/BU034	Vertical Rear Flue Adaptor	132.00	158.40
29#	003/DB001A	Fire Door Assembly	195.00	234.00	68#	002/PV12B	Flue Collar	62.00	74.40
30	008/KV13	Left Hand Door Knob	3.85	4.62	69	008/KS134	Sealing Gasket (Flue)	4.15	4.98
31	008/KV16	Door Handle	24.00	28.80	70	004/DB090	Oven Assembly	195.00	234.00
32	002/AY14	Door Catch	11.20	13.44	71	008/DB092	Oven Shelf	22.00	26.40
33	008/FFW008	M12.5 Washer	0.10	0.12	72	010/DB013	Damper Assembly	23.00	27.60
34	008/FFW005	M8 Washer	0.10	0.12	73	008/FFP017	Main Oven Striker Pin	7.10	8.52
35	008/FFN001	M12 Half Nut	0.23	0.28	74	010/DB082	Lower Heat Shield Assembly	82.00	98.40
36	004/ST008	Tabbed Locking Washer	1.58	1.90	75#	010/DB080	Heat Shield	178.00	213.60
37	008/FFW015	Thackery Washer	2.40	2.88	76#	010/DB051S	Rear Shelf Kit (Optional Extra)	60.00	72.00
38#	003/DB002A	Oven Door Assembly	255.00	306.00	77#	010/DB056	Flame Guard (Optional Extra)	40.00	48.00
39	008/DB047	Oven Door Handle	40.00	48.00	78	004/DB094	Baking Tray (Optional Extra)	15.00	18.00

*These items are not shown on the drawing.

Please specify colour when ordering. Prices are shown in pounds sterling with vat at 20% They are correct at the date shown but may be subject to change without notice. E. & O.E These prices are subject to a carriage charge.

To obtain spare parts please contact your local stockist giving Model, Part No. and Description. In case of difficulty contact the manufacturer at the address shown. This drawing is for identification purposes only.

