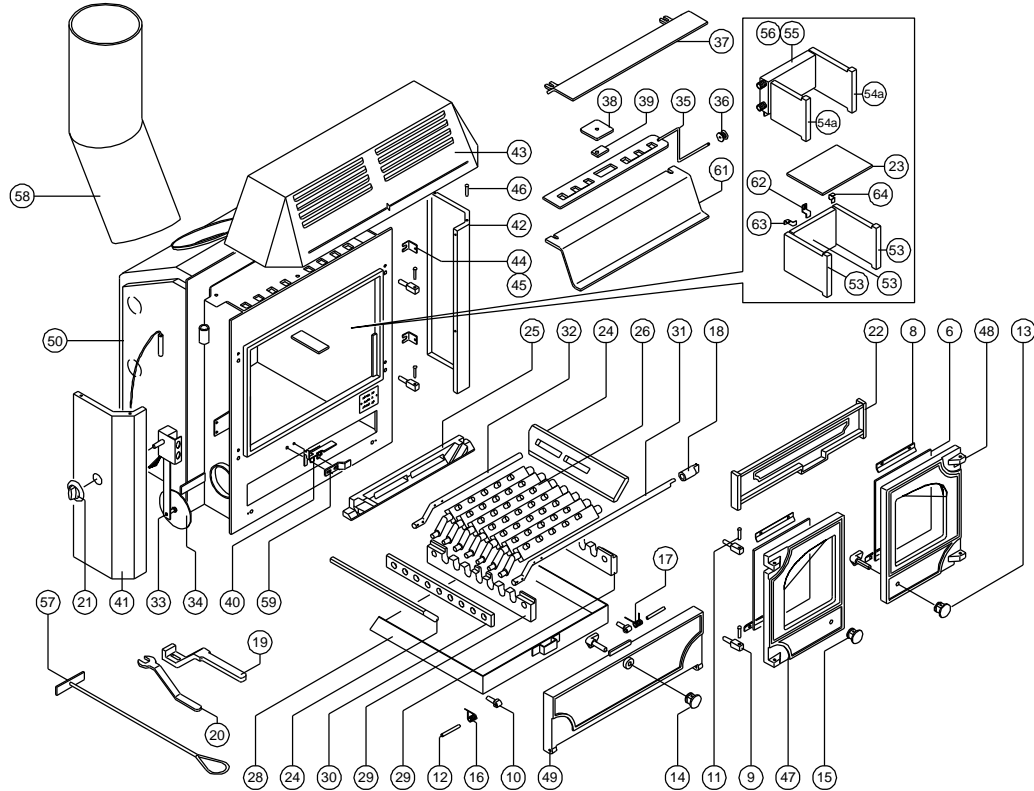




Issue G



Item	Part No.	Description	Ex.Vat.	Inc.Vat.	Item	Part No.	Description	Ex.Vat.	Inc.Vat.
4*	008/EW35S	Door Seal Set Inc Adhesive .....	32.50	39.00	34	008/BW57	Thermostat Flap 90mm Dia .....	10.10	12.12
5*	008/FW29	Door Seal Adhesive .....	7.50	9.00	35	012/HV09	Airwash Slide .....	40.50	48.60
6	006/FW30	Glass (Inc Seal) .....	47.00	56.40	36	002/TW13	Air Control Knob .....	19.90	23.88
7*	008/EW45	Glass Seal Kit .....	14.50	17.40	37	012/HV08	Airwash Cover Plate .....	35.50	42.60
8	004/EW23	Glazing Bar .....	4.40	5.28	38	012/HV09/2	Airwash Slide Retainer .....	3.60	4.32
9	008/FW27	Hinge Post .....	7.40	8.88	39	012/HV09/3	Airwash Slide Guide .....	3.60	4.32
10	008/FW28	Hinge Post .....	7.75	9.30	40	004/BW46	Over Run Catch .....	12.40	14.88
11	008/BW39/S	Hinge Pin Set .....	4.15	4.98	41#	005/WW05L	Side Panel L.H. ....	NA	
12	008/BW40/S	Hinge Pin A/P Door Set .....	5.25	6.30	42#	005/WW05R	Side Panel R.H. ....	NA	
13	008/BW41/A	Door Catch Assembly R.H. ....	25.50	30.60	43#	005/HV06	Hood Panel .....	NA	
14	008/BW42/A	Door Catch Assembly Ashpit .....	25.50	30.60	44	004/WW13	Panel Fixing Bracket .....	NA	
15	002/HV12	Door Knob L.H. (Round) .....	17.00	20.40	45	012/WW30	Hood & Panel Fixing Kit .....	14.70	17.64
16	008/BW43L	Ashpit Door Spring L.H. ....	4.95	5.94	46	008/WW14S	Hood Fixing Pin Set (4) .....	5.25	6.30
17	008/BW43R	Ashpit Door Spring R.H. ....	4.95	5.94	47#	003/EW01	Door L.H. ....	NA	
18	002/CG06	Riddler Knob .....	22.50	27.00	48#	003/EW02	Door R.H. ....	NA	
19	002/BW20	Riddler/Ashpan Tool .....	29.00	34.80	49#	003/FW03	Ashpit Door .....	NA	
20	002/BW26	Door Opening Tool .....	12.10	14.52	50	001/HV10	Firebox (DX20i MkII)		
21	008/BW50	Thermostat Knob .....	5.25	6.30	53	011/AV28S	Set of Firebricks .....	63.00	75.60
22	002/FW07	Front Firebar .....	89.00	106.80	54a	011/AV28BS	Set of Bricks (Use With Boiler) .....	44.00	52.80
23	002/AV31	Throat Plate .....	98.00	117.60	55	010/AV25	Add-In Boiler (Steel) .....	162.00	194.40
24	002/HW15	Side Fire Plate .....	20.50	24.60	56	010/AV25/SS	Add-In Boiler (Stainless Steel) .....	192.00	230.40
25	002/HW16	Back Fire Plate .....	21.00	25.20	57	012/FW34	Scraper Tool .....	14.30	17.16
26	002/CG01	Bottom Grate Bar .....	18.30	21.96	58	010/AV12	150° Flue Pipe (Optional Extra) .....	144.00	172.80
27	002/CG01S7	Set of Grate Bars (7per Set) .....	102.00	122.40	59	012/BW45	Ashpit Door Bracket .....	NA	
28	004/EW17	Ashpan .....	84.00	100.80	60*	010/EW51	Ash Carrier (Optional Extra) .....	132.00	158.40
29	002/HW30	Carrier Bar .....	31.00	37.20	61	010/HV05	Airwash Manifold .....	40.50	48.60
30	012/HW33	Mover Bar .....	49.50	59.40	62	004/XV30	Brick Retaining Bracket .....	4.00	4.80
31	012/FW14	Riddler Rod .....	39.00	46.80	63	004/XV31L	LH Rear Brick Retaining Bracket .....	10.50	12.60
32	012/CG05	Idler Rod .....	37.50	45.00	64	004/XV31R	RH Rear Brick Retaining Bracket .....	10.50	12.60
33	008/BW49	Thermostat .....	66.00	79.20					

\* These items are not shown on the drawing.

# Please specify colour when ordering. Prices are shown in pounds sterling with vat at 20% They are correct at the date shown but may be subject to change without notice. E. & O.E These prices are subject to a carriage charge.

To obtain spare parts please contact your local stockist giving Model, Part No. and Description. In case of difficulty contact the manufacturer at the address shown. This drawing is for identification purposes only.

