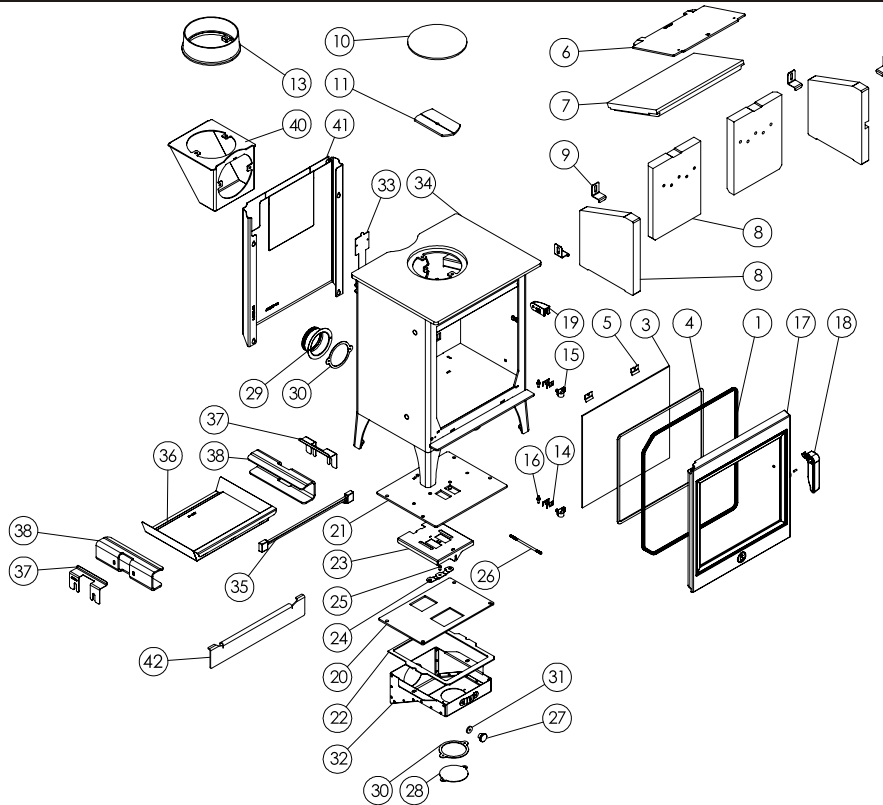




Issue C



Item	Part No.	Description	Ex.Vat.	Inc.Vat.	Item	Part No.	Description	Ex.Vat.	Inc.Vat.
1	008/AB035	Door Seal (Inc Adhesive)	12.75	15.30	22	008/LC045	Air Control Cover Gasket	10.10	12.12
2*	008/FW29	Door Seal Adhesive	7.50	9.00	23	004/AB115	Slider	13.80	16.56
3	006/AB018	Glass (Inc Seal)	57.50	69.00	24	004/BR015	Clicker Retainer Plate	3.85	4.62
4	008/EW45	Glass Seal	14.50	17.40	25	008/ES36/01	Brass Ball Catch	4.95	5.94
5	004/KV23	Glass Retainer	0.76	0.91	26	004/AA084	Control Rod	15.80	18.96
6	010/AB045	Upper Throat Plate	32.50	39.00	27	008/AY37	Air Control Handle	5.25	6.30
7	011/AB031	Throat Plate	37.00	44.40	28	004/CR064	Cover Plate	10.70	12.84
8	011/AB028S	Set of Fire Bricks	69.00	82.80	29	004/CR048	Air Inlet Spigot	NA	
9	004/XV30	Brick Bracket	4.00	4.80	30	008/CR063	Air Inlet Gasket	5.25	6.30
10	012/TW09	Blanking Plate	26.50	31.80	31	008/BR052	Felt Washer	1.24	1.49
11	010/AY51	Clamping Plate	21.00	25.20	32	004/LC040	Airbox Cover	26.50	31.80
12*	008/NV38	Flue Fixing Rope Seal	8.20	9.84	33	012/LC011	Serial No. Label		
13#	002/CH12B	Flue Collar	79.00	94.80	34#	001/LC010	Firebox		
14	004/BR021	Hinge Shim	0.62	0.74	35	002/AB008	Front Fence	34.50	41.40
15	002/BR020	Hinge	12.80	15.36	36	004/AB017	Ashpan	39.50	47.40
16	008/ST068/2	Hinge Pin Set	3.85	4.62	37	004/AB044	Brick Retainer	7.90	9.48
17#	003/LC001A	Door Assembly	150.00	180.00	38	010/AB016	Side Plate	26.50	31.80
18#	003/AB012A	Door Handle	42.00	50.40	39*	010/EW51	Ash Carrier (Optional Extra)	132.00	158.40
19#	003/AB055A	Latch Receiver	31.50	37.80	40#	010/TW33	Vert Rear Flue Adaptor (Opt'l Extra) ...	132.00	158.40
20	008/AB110	Air Control Gasket	10.10	12.12	41#	010/LC080	Heat Shield (Optional Extra)	88.00	105.60
21	010/LC130	Air Control Plate	16.50	19.80	42	010/AB006	Ash Retainer (Optional Extra)	30.00	36.00

*These items are not shown on the drawing.

Please specify colour when ordering. Prices are shown in pounds sterling with vat at 20% They are correct at the date shown but may be subject to change without notice. E. & O.E These prices are subject to a carriage charge.

To obtain spare parts please contact your local stockist giving Model, Part No. and Description. In case of difficulty contact the manufacturer at the address shown. This drawing is for identification purposes only.

