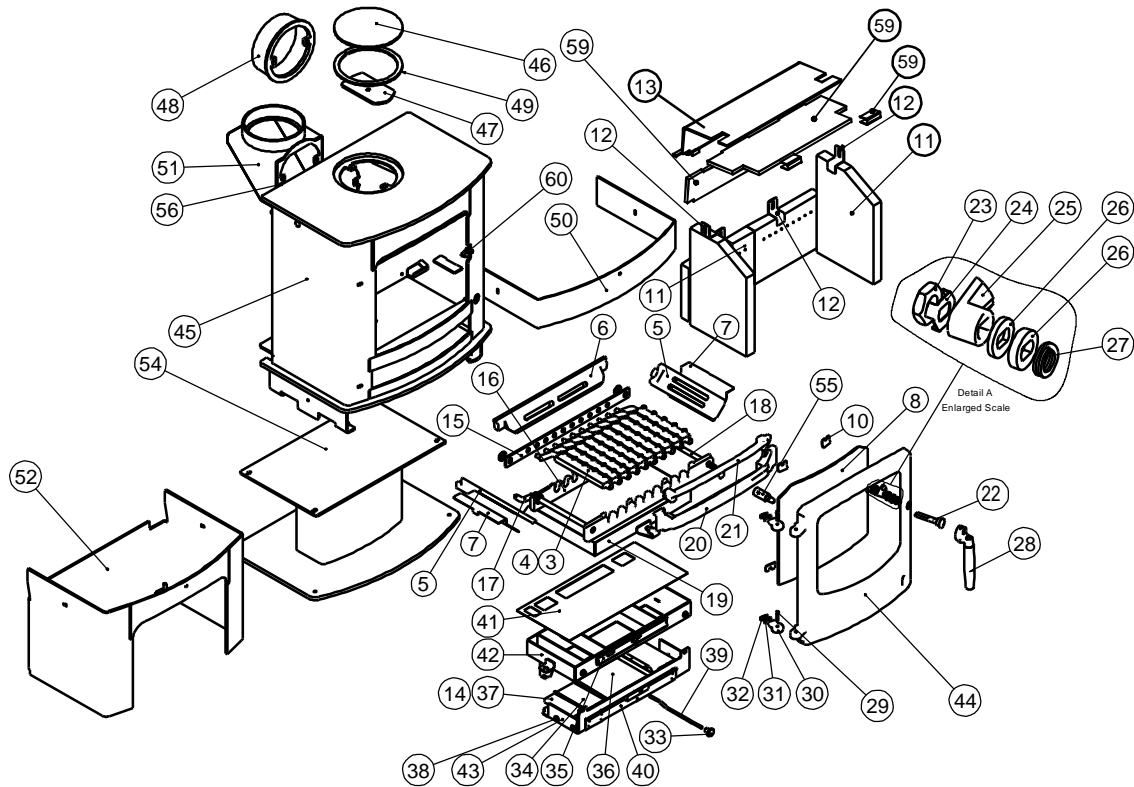




Issue H



Item	Part No.	Description	Ex.Vat.	Inc.Vat.	Item	Part No.	Description	Ex.Vat.	Inc.Vat.
1	008/PY23S	Door Seal Set Inc.Adhesive	22.00	26.40	32	004/PY25A	Hinge Post Shim 2mm	0.57	0.68
2	008/FW29	Door Seal Adhesive	7.50	9.00	33	008/AY37	Air Control Knob	5.25	6.30
3	002/CG20	Bottom Grate Bar	18.30	21.96	34	004/CY22S	Secondary Air Inlet Flap	24.00	28.80
4	002/CG20S10	Set of Grate Bars (10)	150.00	180.00	35	004/CY21	Air Bypass Slide	23.50	28.20
5	002/CY15	Side Fire Plate	39.00	46.80	36	004/CY22P	Primary Air Inlet Flap	25.50	30.60
6	002/AY16	Back Fire Plate	69.00	82.80	37	004/AY22-1S	Secondary/Bypass Air Inlet Flap	23.50	28.20
7	004/BY24	Ash Shedding Plate	18.30	21.96	38	004/CY24	Flap Mounting Rod (Inc. Fixings)	12.10	14.52
8	006/PY18	Glass (Inc Seal)	132.00	158.40	39	004/PY32	Air Control Rod	16.20	19.44
9	008/PY45	Glass Seal	13.10	15.72	40	004/HS23	Actuator Assembly	58.00	69.60
10	004/KV23	Glass Retainer	0.76	0.91	41	008/RV16	Upper Quattro Box Gasket	20.50	24.60
11	011/HS29S	Set of Fire Bricks (4)	91.00	109.20	42	010/PY20	Upper Quattro Box	86.00	103.20
12	004/XV30	Brick Retainer	4.00	4.80	43	010/CY19	Lower Quattro Box	57.00	68.40
13	010/HS31	Throat Plate	70.00	84.00	44#	002/PY01/A	Door Assembly	285.00	342.00
14	008/CY26S	Set of Air Inlet Flap Pads	23.00	27.60	45	001/PY10	Firebox (Cove2)		
15	012/AY33	Mover Bar	52.00	62.40	46	012/TW09	Blanking Plate	26.50	31.80
16	002/AY30	Carrier Bar	52.50	63.00	47	010/AY51	Clamping Plate	21.00	25.20
17	012/AY13	Idler Rod	37.50	45.00	48#	002/CH12B	Flue Collar	79.00	94.80
18	012/AY15	Riddler Rod	38.50	46.20	49	008/NV38	Flue Fixing Rope Seal	8.20	9.84
19	004/PY17	Ashpan	84.00	100.80	50#	010/PY36	Base Cover	81.00	97.20
20	002/AY07B	Front Firebar	62.00	74.40	51#	010/TW33	Vert. Rear Flue Connector (Opt'l Extra)	132.00	158.40
21	002/AY08	Deepening Bar	55.50	66.60	52#	010/PY33	Store Stand	225.00	270.00
22	002/RV15	Door Knob & Spindle	22.50	27.00	54#	010/PY34	Centre Stand	158.00	189.60
23	008/FFN001	M12 Half Nut	0.23	0.28	55	002/AY27	Riddler Knob	23.50	28.20
24	004/ST008	Tabbed Locking Washer	1.58	1.90	56	012/HS19	Serial No. Label	NA	
25	002/AY14	Door Catch	11.20	13.44	57*	004/HS12	Main Air Restrictor		
26	010/ST031	Door Catch Spacer	2.30	2.76	58*	004/HS11	Bypass Cover Plate	11.10	13.32
27	008/FFW015	M12 Double Coil Spring Washer	2.40	2.88	59	011/HS39S	Set of Throatplate Bricks & Clips (2)	33.00	39.60
28	008/PY13	Door/Riddling/Ashpan Tool	38.50	46.20	60	010/PY38	Door Catch Stop	3.85	4.62
29	008/BW39/S	Hinge Pin Set	4.15	4.98	61*	010/BW51	Ash Carrier (Optional Extra)	132.00	158.40
30	002/PY24	Hinge Post	17.90	21.48	62*	010/PY52A	External Air Manifold Kit	NA	
31	004/PY25B	Hinge Post Shim 0.9mm	0.57	0.68					

* These items are not shown on the drawing.

Please specify colour when ordering. Prices are shown in pounds sterling with vat at 20% They are correct at the date shown but may be subject to change without notice. E. & O.E These prices are subject to a carriage charge

To obtain spare parts please contact your local stockist giving Model, Part No. and Description. In case of difficulty contact the manufacturer at the address shown. This drawing is for identification purposes only.

