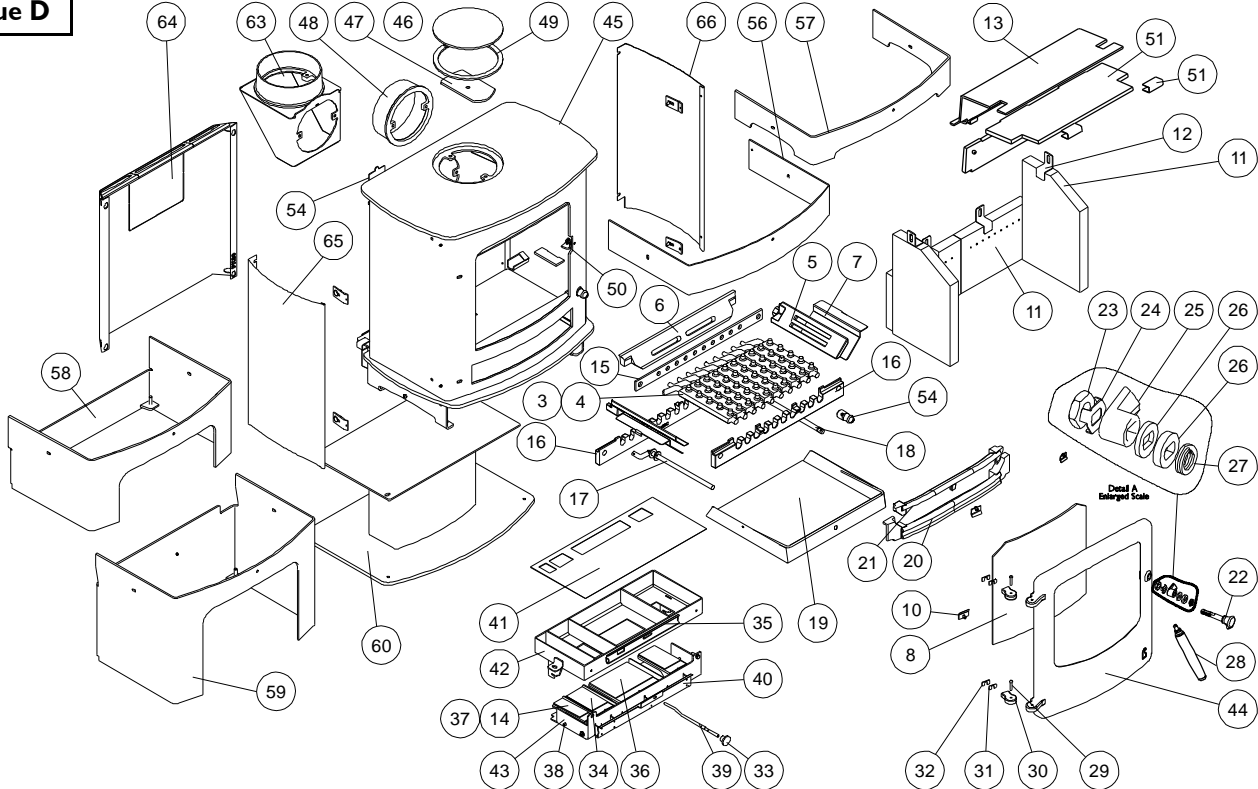




Issue D



Item	Part No.	Description	Ex.Vat.	Inc.Vat.	Item	Part No.	Description	Ex.Vat.	Inc.Vat.
1*	008/PY23S	Door Seal Set Inc.Adhesive	22.00	26.40	34	004/CY22S	Secondary Air Inlet Flap	24.00	28.80
2*	008/FW29	Door Seal Adhesive	7.50	9.00	35	004/CY21	Air Bypass Slide	23.50	28.20
3	002/CG20	Bottom Grate Bar	18.30	21.96	36	004/CY22P	Primary Air Inlet Flap	25.50	30.60
4	002/CG20S10	Set of Grate Bars (10)	150.00	180.00	37	004/AY22-1S	Secondary/Bypass Air Inlet Flap	23.50	28.20
5	002/CY15	Side Fire Plate	39.00	46.80	38	004/CY24	Flap Mounting Rod (Inc. Fixings)	12.10	14.52
6	002/AY16	Back Fire Plate	69.00	82.80	39	004/PY32	Air Control Rod	16.20	19.44
7	004/BY24	Ash Shedding Plate	18.30	21.96	40	004/HS23	Actuator Assembly	58.00	69.60
8	006/PY18	Glass (Inc Seal)	132.00	158.40	41	008/RV16	Upper Quattro Box Gasket	20.50	24.60
9*	008/PY45	Glass Seal	13.10	15.72	42	010/PY20	Upper Quattro Box	86.00	103.20
10	004/KV23	Glass Retainer	0.76	0.91	43	010/CY19	Lower Quattro Box	57.00	68.40
11	011/HS29S	Set of Fire Bricks (4)	91.00	109.20	44#	002/PY01/A	Door Assembly	285.00	342.00
12	004/XV30	Brick Retainer	4.00	4.80	45	001/HX10	Firebox (Cove2SR MkII)		
13	010/HS31	Throat Plate	70.00	84.00	46	012/TW09	Blanking Plate	26.50	31.80
14	008/CY26S	Set of Air Inlet Flap Pads	23.00	27.60	47	010/AY51	Clamping Plate	21.00	25.20
15	012/AY33	Mover Bar	52.00	62.40	48#	002/CH12B	Flue Collar	79.00	94.80
16	002/AY30	Carrier Bar	52.50	63.00	49	008/NV38	Flue Fixing Rope Seal	8.20	9.84
17	012/AY13	Idler Rod	37.50	45.00	50	010/PY38	Door Catch Stop	3.85	4.62
18	012/AY15	Riddler Rod	38.50	46.20	51	011/HS39S	Set of Throatplate Bricks & Clips (2)	33.00	39.60
19	004/PX17	Ashpan	84.00	100.80	52*	004/HS11	Bypass Cover Plate	11.10	13.32
20	002/AY07B	Front Firebar	62.00	74.40	53*	004/HS12	Main Air Restrictor		
21	002/AY08	Deepening Bar	55.50	66.60	54	002/PX89	Riddler Knob	39.00	46.80
22	002/PX92	Door Knob & Spindle	25.50	30.60	55	012/HS19	Serial No. Label	NA	
23	008/FFN001	M12 Half Nut	0.23	0.28	56#	010/PY36	Low Stand	81.00	97.20
24	004/ST008	Tabbed Locking Washer	1.58	1.90	57#	010/PX32	Low Arch Stand	81.00	97.20
25	002/AY14	Door Catch	11.20	13.44	58#	010/PX35	Midi Stand	198.00	237.60
26	010/ST031	Door Catch Spacer	2.30	2.76	59#	010/PY33	Store Stand	225.00	270.00
27	008/FFW015	M12 Double Coil Spring Washer	2.40	2.88	60#	010/PY34	Centre Stand	158.00	189.60
28	008/PX95	Door/Riddling/Ashpan Tool	38.50	46.20	61*	010/PY52A	External Air Manifold Kit (Opt'l Extra) ..	NA	
29	008/BW39/S	Hinge Pin Set	4.15	4.98	62*	010/BW51	Ash Carrier (Optional Extra)	132.00	158.40
30	002/PY24	Hinge Post	17.90	21.48	63#	010/TW33	Vert. Rear Flue Connector (Opt'l Extra)	132.00	158.40
31	004/PY25B	Hinge Post Shim 0.9mm	0.57	0.68	64#	010/PX80	Heatshield (Opt'l Extra)	90.00	108.00
32	004/PY25A	Hinge Post Shim 2mm	0.57	0.68	65#	005/PX93L	LH Curved Side Panel (Opt'l Extra)	26.05	31.26
33	008/AY37	Air Control Knob	5.25	6.30	66#	005/PX93R	RH Curved Side Panel (Opt'l Extra)	26.05	31.26

* These items are not shown on the drawing

Please specify colour when ordering. Prices are shown in pounds sterling with vat at 20% They are correct at the date shown but may be subject to change without notice. E. & O.E These prices are subject to a carriage charge

To obtain spare parts please contact your local stockist giving Model, Part No. and Description. In case of difficulty contact the manufacturer at the address shown. This drawing is for identification purposes only.

