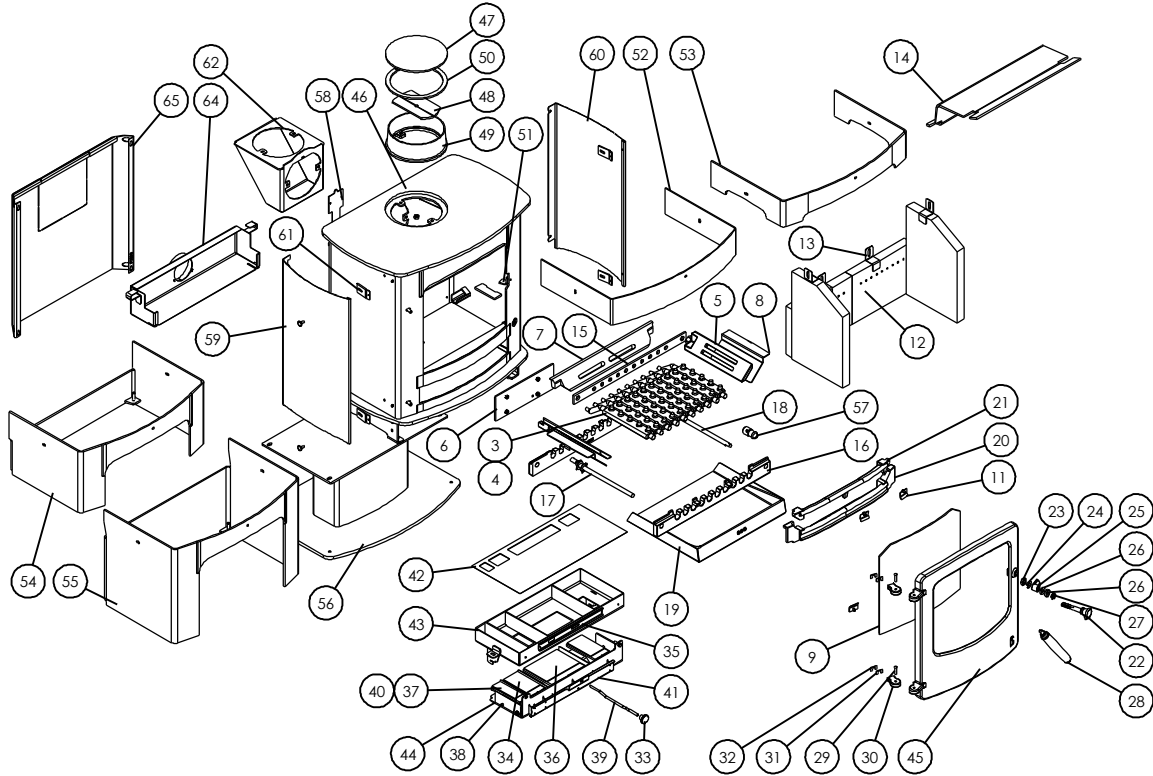




Issue A



Item	Part No.	Description	Ex.Vat.	Inc.Vat.	Item	Part No.	Description	Ex.Vat.	Inc.Vat.
1*	008/PY23S	Door Seal Set Inc.Adhesive .....	22.00	26.40	34	004/CY22S	Secondary Air Inlet Flap .....	24.00	28.80
2*	008/FW29	Door Seal Adhesive .....	7.50	9.00	35	004/CY21	Air Bypass Slide .....	23.50	28.20
3	002/CG20	Bottom Grate Bar .....	18.30	21.96	36	004/CY22P	Primary Air Inlet Flap .....	25.50	30.60
4	002/CG20S10	Set of Grate Bars (10) .....	150.00	180.00	37	004/AY22-1S	Secondary/Bypass Air Inlet Flap .....	23.50	28.20
5	002/CY15	Side Fire Plate .....	39.00	46.80	38	004/CY24	Flap Mounting Rod (Inc. Fixings) .....	12.10	14.52
6	010/HS12	Undergrate Blanking Plate .....	17.00	20.40	39	004/PY32	Air Control Rod .....	16.20	19.44
7	002/AY16	Back Fire Plate .....	69.00	82.80	40	008/CY26S	Set of Air Inlet Flap Pads .....	23.00	27.60
8	004/BY24	Ash Shedding Plate .....	18.30	21.96	41	004/CY23	Actuator Assembly .....	57.00	68.40
9	006/PY18	Glass (Inc Seal) .....	132.00	158.40	42	008/RV16	Upper Quattro Box Gasket .....	20.50	24.60
10*	008/PY45	Glass Seal .....	13.10	15.72	43	010/PY20	Upper Quattro Box .....	86.00	103.20
11	004/KV23	Glass Retainer .....	0.76	0.91	44	010/CY19	Lower Quattro Box .....	57.00	68.40
12	011/PXE129S	Set of Fire Bricks .....	91.00	109.20	45#	002/PX01/A	Door Assembly .....	285.00	342.00
13	004/XV30	Brick Retainer .....	4.00	4.80	46	001/PX10	Firebox (Cove 2 MkII)		
14	010/PY31	Throat Plate .....	67.00	80.40	47	012/TW09	Blanking Plate .....	26.50	31.80
15	012/AY33	Mover Bar .....	52.00	62.40	48	010/AY51	Clamping Plate .....	21.00	25.20
16	002/AY30	Carrier Bar .....	52.50	63.00	49#	002/CH12B	Flue Collar .....	79.00	94.80
17	012/AY13	Idler Rod .....	37.50	45.00	50	008/NV38	Flue Fixing Rope Seal .....	8.20	9.84
18	012/AY15	Riddler Rod .....	38.50	46.20	51	010/PY38	Door Catch Stop .....	3.85	4.62
19	004/PX17	Ashpan .....	84.00	100.80	52#	010/PY36	Low Stand .....	81.00	97.20
20	002/AY07B	Front Firebar .....	62.00	74.40	53#	010/PX32	Low Arch Stand .....	81.00	97.20
21	002/AY08	Deepening Bar .....	55.50	66.60	54#	010/PX35	Mid Stand .....	198.00	237.60
22	002/PX92	Door Knob & Spindle .....	25.50	30.60	55#	010/PY33	Store Stand .....	225.00	270.00
23	008/FFN001	M12 Half Nut .....	0.23	0.28	56#	010/PY34	Centre Stand .....	158.00	189.60
24	004/ST008	Tabbed Locking Washer .....	1.58	1.90	57	002/PX89	Riddler Knob .....	39.00	46.80
25	002/AY14	Door Catch .....	11.20	13.44	58	012/PXE011	Serial No. Label		
26	010/ST031	Door Catch Spacer .....	2.30	2.76	59#	005/PX93L	LH Curved Side Panel .....	26.05	31.26
27	008/FFW015	M12 Double Coil Spring Washer .....	2.40	2.88	60#	005/PX93R	RH Curved Side Panel .....	26.05	31.26
28	008/PX95	Door/Riddling/Ashpan Tool .....	38.50	46.20	61	010/PX96	Panel Fixing Bracket .....	11.60	13.92
29	008/BW39/S	Hinge Pin Set .....	4.15	4.98	62#	010/TW33	Vert. Rear Flue Connector (Opt'l Extra)	132.00	158.40
30	002/PY24	Hinge Post .....	17.90	21.48	63	010/BW51	Ash Carrier (Optional Extra) .....	132.00	158.40
31	004/PY25B	Hinge Post Shim 0.9mm .....	0.57	0.68	64	010/TH62	External Air Manifold Kit (Optional Extr	140.00	168.00
32	004/PY25A	Hinge Post Shim 2mm .....	0.57	0.68	65#	010/PX80	Heatshield (Optional Extra) .....	90.00	108.00
33	008/AY37	Air Control Knob .....	5.25	6.30					

\* These items are not shown on the drawing.

# Please specify colour when ordering. Prices are shown in pounds sterling with vat at 20% They are correct at the date shown but may be subject to change without notice. E. & O.E These prices are subject to a carriage charge.

To obtain spare parts please contact your local stockist giving Model, Part No. and Description. In case of difficulty contact the manufacturer at the address shown. This drawing is for identification purposes only.

