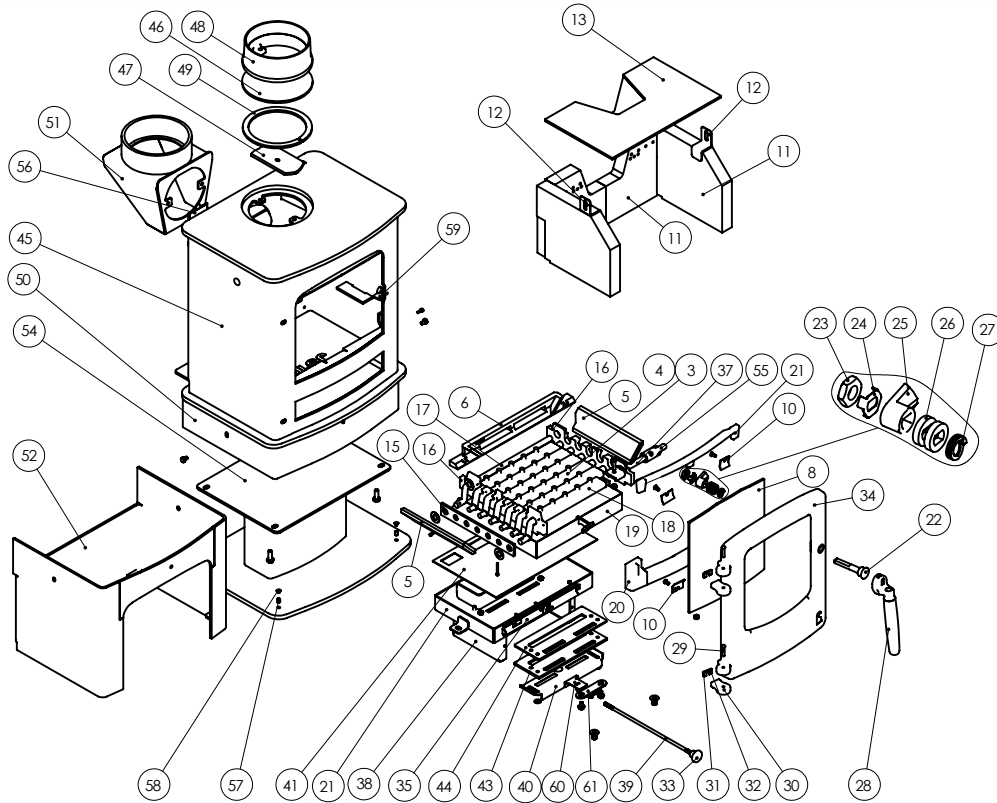




Issue H



Item	Part No.	Description	Ex.Vat.	Inc.Vat.	Item	Part No.	Description	Ex.Vat.	Inc.Vat.
1*	008/SY16S	Door Seal Set Inc.Adhesive	32.50	39.00	31	004/PY25B	Hinge Post Shim 0.9mm	0.57	0.68
2*	008/FW29	Door Seal Adhesive	7.50	9.00	32	004/PY25A	Hinge Post Shim 2mm	0.57	0.68
3	002/CG01	Bottom Grate Bar	18.30	21.96	33	008/AY37	Air Control Knob	5.25	6.30
4	002/CG01S5	Set of Grate Bars(5)	76.00	91.20	34#	002/SY01/A	Door Assembly	225.00	270.00
5	002/SY15	Side Fire Plate	41.50	49.80	35	004/SY21	Air Bypass Slide	22.50	27.00
6	002/HW16	Back Fire Plate	21.00	25.20	37	002/CG11	Driving Rod	22.50	27.00
8	006/SY18	Glass (Inc Seal)	100.00	120.00	38	010/JS20	Air Supply Box	70.00	84.00
9*	008/SY43	Glass Seal	12.40	14.88	39	004/JS32	Air Control Rod	23.50	28.20
10	004/KV23	Glass Retainer	0.76	0.91	40	004/JS21	Primary Air Slide	15.10	18.12
11	011/JS29S	Set of Fire Bricks (4)	112.00	134.40	41	008/SY13	Upper Quattro Box Gasket	20.50	24.60
12	004/XV30	Brick Retainer	4.00	4.80	42	008/JS15	PTFE Slide	19.90	23.88
13	010/JS31	Throat Plate	70.00	84.00	44	010/JS14	Slide Spacer Plate	14.70	17.64
15	012/SY33	Mover Bar	47.00	56.40	45	001/JS10	Firebox (Cove1SR)		
16	002/SY30	Carrier Bar	35.00	42.00	46	012/PV09	Blanking Plate	26.50	31.80
17	012/CG05	Idler Rod	37.50	45.00	47	010/EY51	Clamping Plate	21.00	25.20
18	002/CG12	Driving Gratebar	46.00	55.20	48#	002/PV12B	Flue Collar	62.00	74.40
19	004/SY17	Ashpan	77.00	92.40	49	008/EY38	Flue Fixing Rope Seal	8.20	9.84
20	002/SY07	Front Firebar	63.00	75.60	50#	010/SY11	Base Cover	78.00	93.60
21	002/SY08	Deepening Bar	51.00	61.20	51#	010/BU034	Vert. Rear Flue Adapter (Opt'l Extra) ...	132.00	158.40
22	002/RV15	Door Knob & Spindle	22.50	27.00	52#	010/SY02	Store Stand	215.00	258.00
23	008/FFN001	M12 Half Nut	0.23	0.28	54#	010/SY12	Centre Stand	150.00	180.00
24	004/ST008	Tabbed Locking Washer	1.58	1.90	55	002/AY27	Riddler Knob	23.50	28.20
25	002/AY14	Door Catch	11.20	13.44	56	012/JS25	Serial No. Label	NA	
26	010/ST031	Door Catch Spacer	2.30	2.76	57	008/FFS068	Levelling Screw - M8 x 10mm Grub Scr	0.99	1.19
27	008/FFW015	M12 Double Coil Spring Washer	2.40	2.88	58	008/FFM039	Decorative Cap	0.76	0.91
28	008/PY13	Door/Riddling/Ashpan Tool	38.50	46.20	59	010/PY38	Door Catch Stop	3.85	4.62
29	008/BW39/S	Hinge Pin Set	4.15	4.98	60	010/EW51	Ash Carrier (Optional Extra)	132.00	158.40
30	002/PY24	Hinge Post	17.90	21.48	61*	010/JS52	External Air Manifold Kit	120.00	144.00

* These items are not shown on the drawing.

Please specify colour when ordering. Prices are shown in pounds sterling with vat at 20% They are correct at the date shown but may be subject to change without notice. E. & O.E These prices are subject to a carriage charge

To obtain spare parts please contact your local stockist giving Model, Part No. and Description. In case of difficulty contact the manufacturer at the address shown. This drawing is for identification purposes only.

