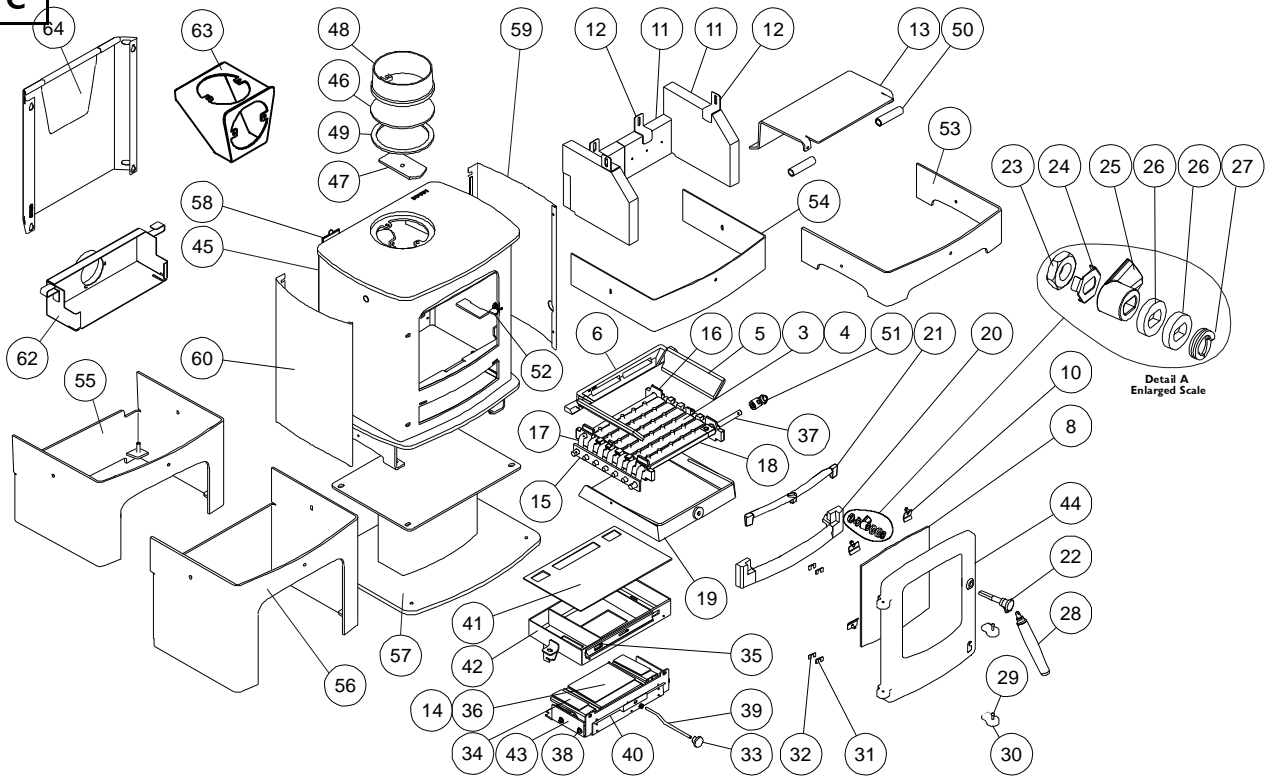




Issue C



Item	Part No.	Description	Ex.Vat.	Inc.Vat.	Item	Part No.	Description	Ex.Vat.	Inc.Vat.
1*	008/SY16S	Door Seal Set Inc.Adhesive	32.50	39.00	34	004/AY22-15	Secondary/Bypass Air Inlet Flap	23.50	28.20
2*	008/FW29	Door Seal Adhesive	7.50	9.00	35	004/SY21	Air Bypass Slide	22.50	27.00
3	002/CG01	Bottom Grate Bar	18.30	21.96	36	004/CY22P	Primary Air Inlet Flap	25.50	30.60
4	002/CG01SS	Set of Grate Bars(5)	76.00	91.20	37	002/CG11	Driving Rod	22.50	27.00
5	002/SY15	Side Fire Plate	41.50	49.80	38	004/SY24	Flap Mounting Rod (Inc. Fixings)	10.50	12.60
6	002/HW16	Back Fire Plate	21.00	25.20	39	004/SY27	Air Control Rod	15.40	18.48
8	006/SY18	Glass (Inc Seal)	100.00	120.00	40	004/SY23	Actuator Assembly	55.00	66.00
9*	008/SY43	Glass Seal	12.40	14.88	41	008/SY13	Upper Quattro Box Gasket	20.50	24.60
10	004/KV23	Glass Retainer	0.76	0.91	42	010/SY20	Upper Quattro Box	86.00	103.20
11	011/SY29S	Set of Fire Bricks (4)	112.00	134.40	43	010/SY19	Lower Quattro Box	55.00	66.00
12	004/XV30	Brick Retainer	4.00	4.80	44#	002/SX01/A	Door Assembly	225.00	270.00
13	010/SY31	Throat Plate	58.00	69.60	45	001/SX10	Firebox (Cove1 MkII)		
14	008/SY26S	Set of Air Inlet Flap Pads	18.20	21.84	46	012/PV09	Blanking Plate	26.50	31.80
15	012/SY33	Mover Bar	47.00	56.40	47	010/EY51	Clamping Plate	21.00	25.20
16	002/SY30	Carrier Bar	35.00	42.00	48#	002/PV12B	Flue Collar	62.00	74.40
17	012/CG05	Idler Rod	37.50	45.00	49	008/EY38	Flue Fixing Rope Seal	8.20	9.84
18	002/CG12	Driving Gratebar	46.00	55.20	50	010/SY06	Throatplate Support Tube	3.60	4.32
19	004/SX17	Ashpan	77.00	92.40	51	002/PX89	Riddler Knob	39.00	46.80
20	002/SY07	Front Firebar	63.00	75.60	52	010/PY38	Door Catch Stop	3.85	4.62
21	002/SY08	Deepening Bar	51.00	61.20	53#	010/SX32	Low Arch Stand	81.00	97.20
22	002/PX92	Door Knob & Spindle	25.50	30.60	54#	010/SY11	Low Stand	78.00	93.60
23	008/FFN001	M12 Half Nut	0.23	0.28	55#	010/SX35	Midi Stand	198.00	237.60
24	004/ST008	Tabbed Locking Washer	1.58	1.90	56#	010/SY02	Store Stand	215.00	258.00
25	002/AY14	Door Catch	11.20	13.44	57#	010/SY12	Centre Stand	150.00	180.00
26	010/ST031	Door Catch Spacer	2.30	2.76	58	012/SX11	Serial No. Label		
27	008/FFW015	M12 Double Coil Spring Washer	2.40	2.88	59#	005/SX93R	RH Curved Side Panel	20.35	24.42
28	008/PX95	Door/Riddling/Ashpan Tool	38.50	46.20	60#	005/SX93L	LH Curved Side Panel	20.35	24.42
29	008/BW39/S	Hinge Pin Set	4.15	4.98	61*	010/EW51	Ash Carrier (Optional Extra)	132.00	158.40
30	002/PY24	Hinge Post	17.90	21.48	62	010/TH61	External Air Manifold Kit	140.00	168.00
31	004/PY25B	Hinge Post Shim 0.9mm	0.57	0.68	63#	010/BU034	Vert. Rear Flue Adapter (Opt'l Extra) ...	132.00	158.40
32	004/PY25A	Hinge Post Shim 2mm	0.57	0.68	64#	010/SX80	Heat Shield	71.00	85.20
33	008/AY37	Air Control Knob	5.25	6.30					

*These items are not shown on the drawing.

Please specify colour when ordering. Prices are shown in pounds sterling with vat at 20% They are correct at the date shown but may be subject to change without notice. E. & O.E These prices are subject to a carriage charge

To obtain spare parts please contact your local stockist giving Model, Part No. and Description. In case of difficulty contact the manufacturer at the address shown. This drawing is for identification purposes only.

