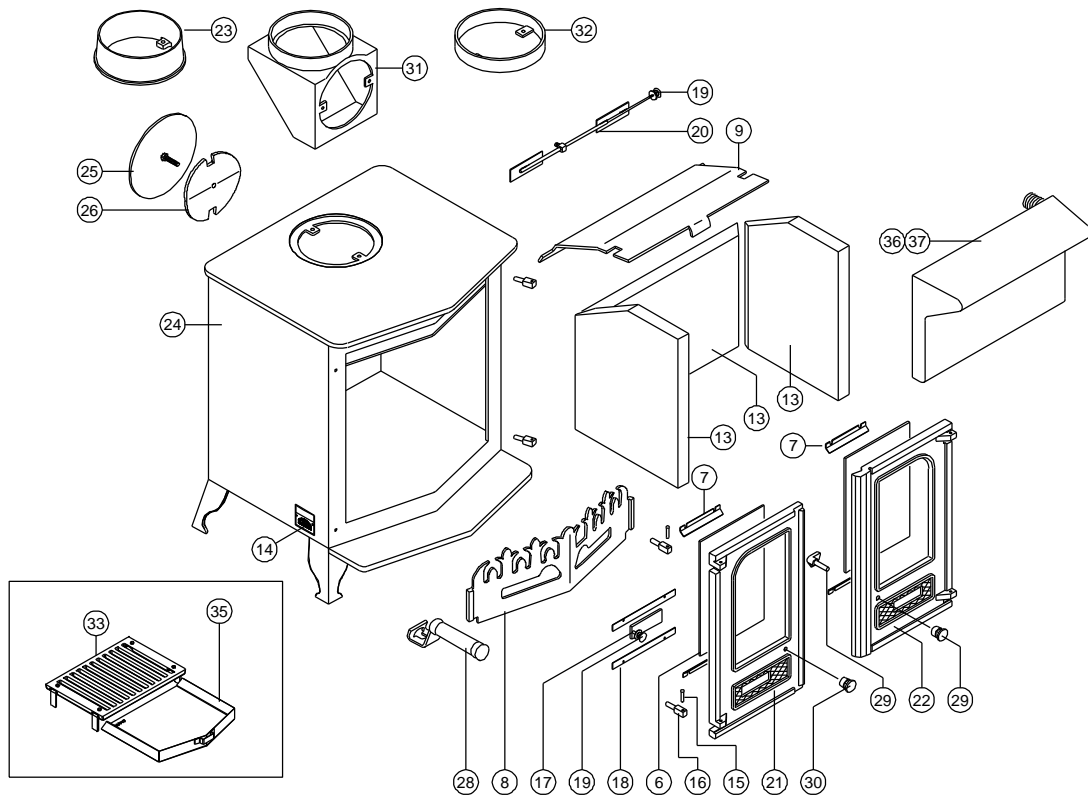




Issue H



Item	Part No.	Description	Ex.Vat.	Inc.Vat.	Item	Part No.	Description	Ex.Vat.	Inc.Vat.
3*	008/GV40/S	Door Seal Set Incl. Adhesive	32.50	39.00	22	002/BV02	Right Hand Door	102.00	122.40
4*	008/FW29	Door Seal Adhesive	7.50	9.00	23#	002/CH12B	Flue Collar	79.00	94.80
5*	008/RW55	Glass Seal Kit	14.50	17.40	24	001/LV10	Firebox (Country 8WB)		
6	006/LW30	Glass (Inc Seal)	39.50	47.40	25	012/TW09	Blanking Plate	26.50	31.80
7	004/GV23	Glass Retainer	4.40	5.28	26	010/TW61	Clamping Plate	NA	
8	002/LV07C/A	Front Fence	84.00	100.80	27*	010/EV51	Ash Carrier (Optional Extra)	132.00	158.40
9	010/LV31	Throat Plate	66.00	79.20	28	012/BV20/A	Ashpan / Door Opening Tool	29.50	35.40
13	011/LV28S	Set of Fire Bricks	92.00	110.40	29	008/BV03/A	Door Catch Assembly	25.50	30.60
14	012/LV11	Serial No. Label			30	002/BV12	Left Hand Door Knob	NA	
15	008/BW39/S	Hinge Pin Set	4.15	4.98	31#	010/TW33	Vert. Rear Flue Connector (Opt'l Extra)	132.00	158.40
16	008/FW27	Hinge Post	7.40	8.88	33	010/LV03/A	Coal Grate Inc. Legs (Opt'l Extra)	124.00	148.80
17	012/TW14	Primary Air Slide	9.00	10.80	35	004/LV17	Ashpan	86.00	103.20
18	004/FV18	Primary Air Slide Guide	15.50	18.60	36	010/LV25	Boiler Steel (Optional Extra)	250.00	300.00
19	002/TW13	Air Control Knob	19.90	23.88	37	010/LV25/SS	Boiler Stainless Steel (Optional Extra) ...	415.00	498.00
20	004/TW48	Airwash Slide	32.50	39.00	38	010/LV20	Coal Kit	198.00	237.60
21	002/TW01	Left Hand Door	NA						

* These items are not shown on the drawing. Prices are shown in pounds sterling with vat at 20% They are correct at the date shown but may be subject to change without notice. E. & O.E These prices are subject to a carriage charge.

To obtain spare parts please contact your local stockist giving Model, Part No. and Description. In case of difficulty contact the manufacturer at the address shown. This drawing is for identification purposes only.

