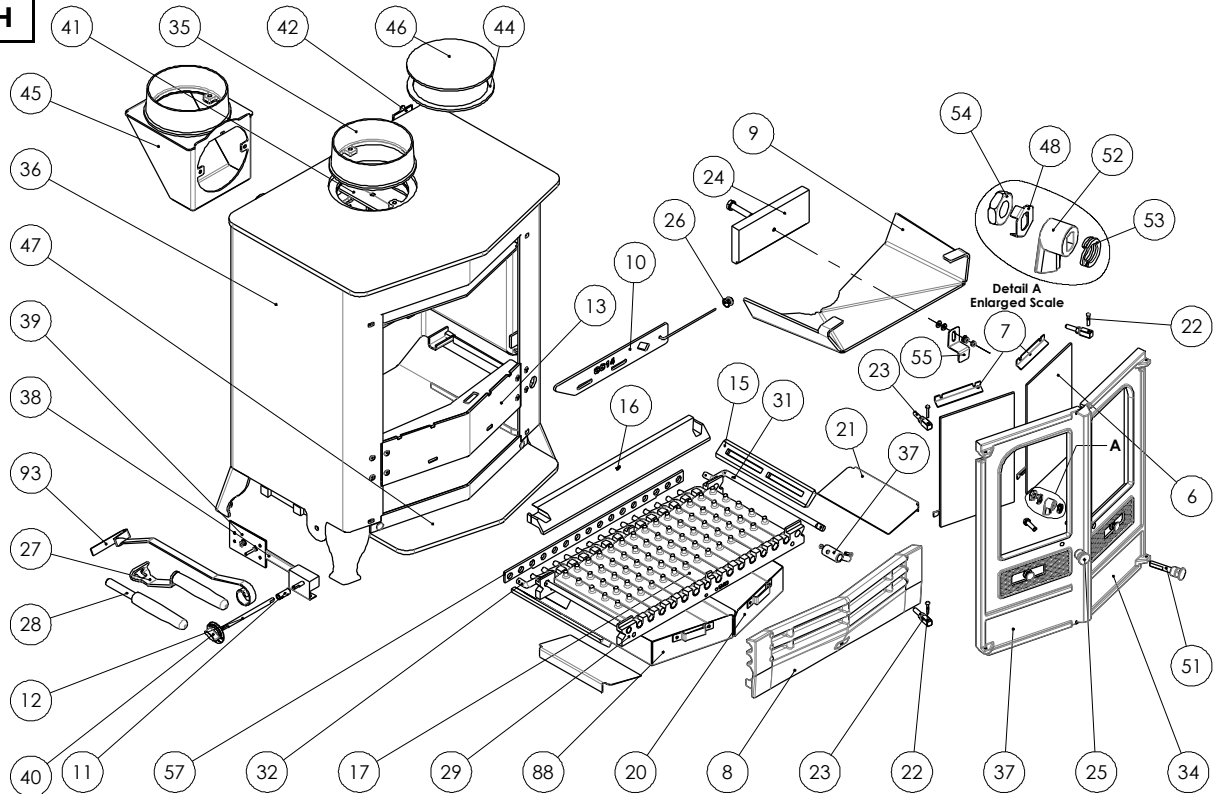




Issue H



Item	Part No.	Description	Ex.Vat.	Inc.Vat.	Item	Part No.	Description	Ex.Vat.	Inc.Vat.
3*	008/GS35S	Door Seal Set Incl. Adhesive	32.50	39.00	30	012/BV33	Mover Bar	67.00	80.40
4*	008/FW29	Door Seal Adhesive	7.50	9.00	31	012/BV37	Riddler Rod	38.50	46.20
5*	008/RW55	Glass Seal Kit	14.50	17.40	32	012/CG05	Idler Rod	37.50	45.00
6	006/LW30	Glass (Inc Seal)	39.50	47.40	33#	002/FV01/A	Left Hand Door Assembly	152.00	182.40
7	004/GV23	Glass Retainer	4.40	5.28	34#	002/FV02/A	Right Hand Door Assembly	156.00	187.20
8	002/CS08	Multifuel Retainer			35#	002/CH12B	Flue Collar	79.00	94.80
9	010/GS31	Throat Plate	79.00	94.80	36	009/CO16BMF/A	Firebox / Boiler Assy (Country 16B)		
10	010/GS14	Secondary Air Slide	19.90	23.88	37	002/AY27	Riddler Knob	23.50	28.20
11	004/CS18	Thermostat Connector Tube	18.20	21.84	38	008/FW48	Thermostat	59.00	70.80
12	004/CS16	Thermostat Rod	16.20	19.44	39	008/FV49	Thermostat Flap	10.80	12.96
13	010/GS06	Front Middle Bar Assembly	79.00	94.80	40	008/BW50	Thermostat Knob	5.25	6.30
15	002/EW15	Side Fire Plate	37.50	45.00	41	010/AY51	Clamping Plate	21.00	25.20
16	002/BV16	Back Fire Plate	71.00	85.20	42	012/GS11M	Serial No. Label		
17	002/CG01	Bottom Grate Bar	18.30	21.96	43	012/FW34	Scraper Tool	14.30	17.16
18	002/CG01S14	Set of Grate Bars (14 Per Set)	210.00	252.00	44	008/NV38	Flue Fixing Rope Seal	8.20	9.84
19	004/FV17L	Left Hand Ashpan	86.00	103.20	45#	010/TW33	Vert. Rear Flue Connector (Opt'l Extra)	132.00	158.40
20	004/FV17R	Right Hand Ashpan	86.00	103.20	46	012/TW09	Blanking Plate	26.50	31.80
21	004/BV19	Ash Shedding Plate	18.30	21.96	47	010/GS12	Shelf	77.00	92.40
22	008/BW39/S	Hinge Pin Set	4.15	4.98	48	004/ST008	Tabbed Locking Washer	1.58	1.90
23	008/FW27	Hinge Post	7.40	8.88	49*	010/BW51	Ash Carrier (Optional Extra)	132.00	158.40
24	011/GS29	Upper Throatplate Brick	18.80	22.56	50*	008/TH02/L	Low Level Pipe Stat (Opt'l Extra)	66.00	79.20
25	002/DY19	Left Hand Door Knob	16.20	19.44	51	002/DY18	R.H. Door Knob & Spindle	23.00	27.60
26	002/TW13	Air Control Knob	19.90	23.88	52	002/AY14	Door Catch Cam	11.20	13.44
27	012/BV20/A	Ashpan / Door Opening Tool	29.50	35.40	53	008/FFW015	M12 Double Coil Spring Washer	2.40	2.88
28	012/BV36/A	Riddling Tool	26.50	31.80	54	008/FFN001	M12 Half Nut	0.23	0.28
29	002/BV30	Carrier Bar	78.00	93.60	55	004/XV30	Brick Retaining Bracket	4.00	4.80

* These items are not shown on the drawing.

Please specify colour when ordering. Prices are shown in pounds sterling with vat at 20% They are correct at the date shown but may be subject to change without notice. E. & O.E These prices are subject to a carriage charge.

To obtain spare parts please contact your local stockist giving Model, Part No. and Description. In case of difficulty contact the manufacturer at the address shown. This drawing is for identification purposes only.

