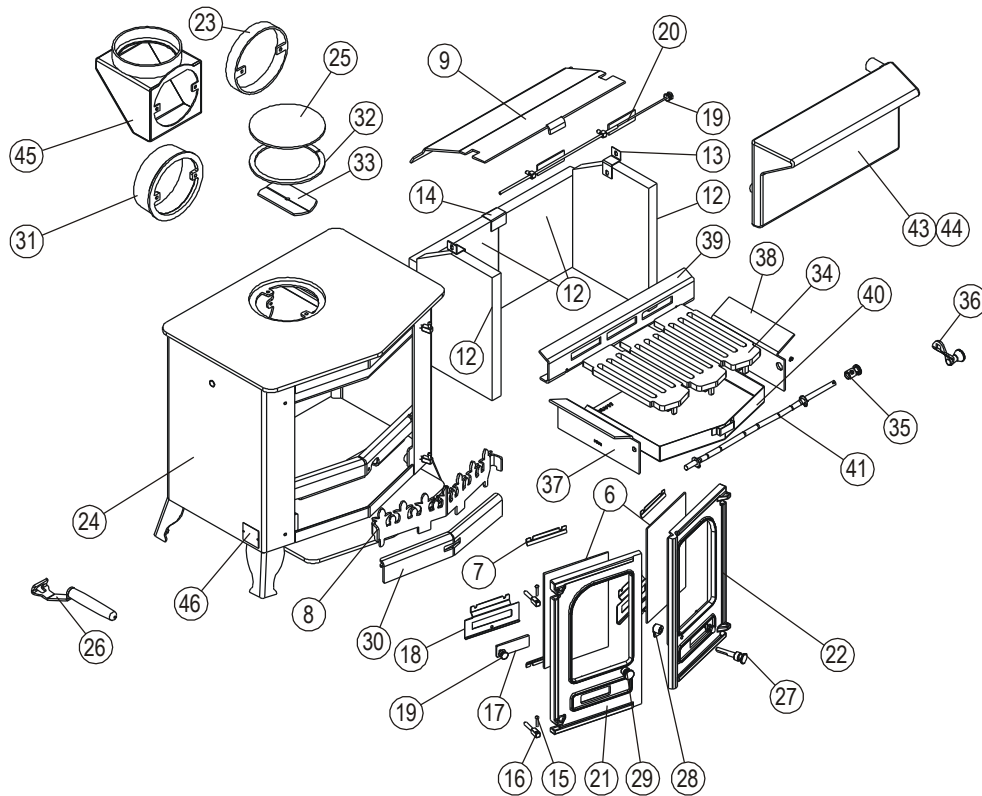




Issue J



Item	Part No.	Description	Ex.Vat.	Inc.Vat.	Item	Part No.	Description	Ex.Vat.	Inc.Vat.
3*	008/LV35/S	Door Seal Set Incl. Adhesive .....	32.50	39.00	28	002/AY14	Door Catch Cam .....	11.20	13.44
4*	008/FW29	Door Seal Adhesive .....	7.50	9.00	29	002/DY19	Left Hand Door Knob .....	16.20	19.44
5*	008/RW55	Glass Seal Kit .....	14.50	17.40	30	010/DY14	Wood Ash Retainer .....	55.50	66.60
6	006/LW30	Glass (Inc Seal) .....	39.50	47.40	31#	002/CH12B	Flue Collar .....	79.00	94.80
7	004/GV23	Glass Retainer .....	4.40	5.28	32	008/NV38	Flue Fixing Rope Seal .....	8.20	9.84
8	010/DY08	Fuel Retainer .....	69.00	82.80	33	010/AY51	Clamping Plate .....	21.00	25.20
9	010/MV31	Throat Plate .....	79.00	94.80	34**	002/FY03	Grate Plate .....	39.00	46.80
12	011/MV28S	Set of Fire Bricks .....	92.00	110.40	35**	002/DY21	Riddler Knob .....	24.00	28.80
13	004/XV30	Brick Retainer .....	4.00	4.80	36**	008/DY27	Riddling Tool .....	15.50	18.60
14	004/LV24	Rear Brick Joining Bracket .....	6.75	8.10	37**	010/GY04	Side Grate Support Plate L.H. ....	37.50	45.00
15	008/BW39/S	Hinge Pin Set .....	4.15	4.98	38**	010/GY05	Side Grate Support Plate R.H. ....	37.50	45.00
16	008/FW27	Hinge Post .....	7.40	8.88	39**	010/GY06	Rear Grate Support Plate .....	37.50	45.00
17	012/TW14	Primary Air Slide .....	9.00	10.80	40**	004/LV17	Ashpan .....	86.00	103.20
18	004/DY26	Primary Air Slide Guide .....	17.10	20.52	41**	010/GY13	Riddler Rod .....	38.50	46.20
19	002/TW13	Air Control Knob .....	19.90	23.88	41a	010/GY20	Multifuel Kit (Optional Extra) ..	225.00	270.00
20	004/GY14	Airwash Slide .....	39.50	47.40	42*	008/DY23	Riddler Rod Retaining Clips (Pack of 10)	13.80	16.56
21#	002/GV01/WBA	Left Hand Door Assembly .....	166.00	199.20	43	010/MV25	Boiler, Steel (Optional Extra) .....	265.00	318.00
22#	002/GV02/WBA	Right Hand Door Assembly .....	174.00	208.80	44	010/MV25/SS	Boiler, Stainless Steel (Optional Extra) ..	445.00	534.00
24	001/GY10	Firebox (Country 12 WB MkII)			45#	010/TW33	Vert. Rear Flue Connector (Opt'l Extra)	132.00	158.40
25	012/TW09	Blanking Plate .....	26.50	31.80	46	012/MV11	Serial No. Label		
26	012/BV20/A	Ashpan / Door Opening Tool .....	29.50	35.40	47*	010/EW51	Ash Carrier (Optional Extra) .....	132.00	158.40
27	002/DY18	R.H. Door Knob & Spindle .....	23.00	27.60					

\* These items are not shown on the drawing.

\*\* These items are included in the optional multi-fuel kit.

# Please specify colour when ordering. Prices are shown in pounds sterling with vat at 20% They are correct at the date shown but may be subject to change without notice. E. & O.E These prices are subject to a carriage charge.

To obtain spare parts please contact your local stockist giving Model, Part No. and Description. In case of difficulty contact the manufacturer at the address shown. This drawing is for identification purposes only.

