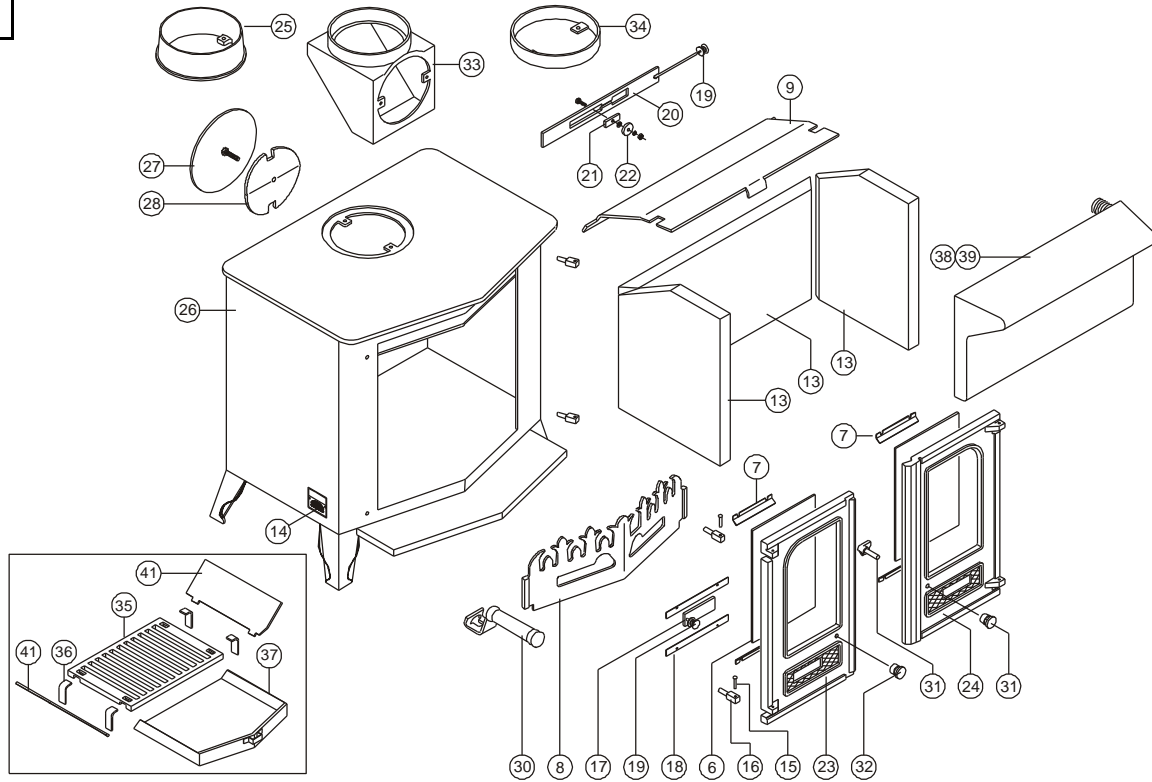




Issue H



| Item | Part No.    | Description                        | Ex.Vat. | Inc.Vat. | Item | Part No.    | Description                                 | Ex.Vat. | Inc.Vat. |
|------|-------------|------------------------------------|---------|----------|------|-------------|---|---------|----------|
| 3*   | 008/GV40/S  | Door Seal Set Incl. Adhesive ..... | 32.50   | 39.00    | 24   | 002/BV02    | Right Hand Door .....                       | 102.00  | 122.40   |
| 4*   | 008/FW29    | Door Seal Adhesive .....           | 7.50    | 9.00     | 25#  | 002/CH12B   | Flue Collar .....                           | 79.00   | 94.80    |
| 5*   | 008/RW55    | Glass Seal Kit .....               | 14.50   | 17.40    | 26   | 001/MV10    | Firebox (Country 12 WB)                     |         |          |
| 6    | 006/LW30    | Glass (Inc Seal) .....             | 39.50   | 47.40    | 27   | 012/TW09    | Blanking Plate .....                        | 26.50   | 31.80    |
| 7    | 004/GV23    | Glass Retainer .....               | 4.40    | 5.28     | 28   | 010/TW61    | Clamping Plate .....                        | NA      |          |
| 8    | 002/LV07C/A | Front Fence .....                  | 84.00   | 100.80   | 29*  | 010/EV51    | Ash Carrier (Optional Extra) .....          | 132.00  | 158.40   |
| 9    | 010/MV31    | Throat Plate .....                 | 79.00   | 94.80    | 30   | 012/BV20/A  | Ashpan / Door Opening Tool .....            | 29.50   | 35.40    |
| 13   | 011/MV28S   | Set of Fire Bricks .....           | 92.00   | 110.40   | 31   | 008/BV03/A  | Door Catch Assembly .....                   | 25.50   | 30.60    |
| 14   | 012/MV11    | Serial No. Label                   |         |          | 32   | 002/BV12    | Left Hand Door Knob .....                   | NA      |          |
| 15   | 008/BW39/S  | Hinge Pin Set .....                | 4.15    | 4.98     | 33#  | 010/TW33    | Vert. Rear Flue Connector (Opt'l Extra)     | 132.00  | 158.40   |
| 16   | 008/FW27    | Hinge Post .....                   | 7.40    | 8.88     | 35   | 002/LV03    | Coal Grate (Optional Extra) .....           | NA      |          |
| 17   | 012/TW14    | Primary Air Slide .....            | 9.00    | 10.80    | 36   | 010/LV04/S  | Grate Legs (Set of 4) .....                 | 13.80   | 16.56    |
| 18   | 004/FV18    | Primary Air Slide Guide .....      | 15.50   | 18.60    | 37   | 004/LV17    | Ashpan .....                                | 86.00   | 103.20   |
| 19   | 002/TW13    | Air Control Knob .....             | 19.90   | 23.88    | 38   | 010/MV25    | Boiler, Steel (Optional Extra) .....        | 265.00  | 318.00   |
| 20   | 012/BV14    | Secondary Air Slide .....          | 22.50   | 27.00    | 39   | 010/MV25/SS | Boiler, Stainless Steel (Optional Extra) .. | 445.00  | 534.00   |
| 21   | 012/FV14/2  | Secondary Air Slide Guide .....    | 3.60    | 4.32     | 40   | 010/MV20    | Coal Kit .....                              | 198.00  | 237.60   |
| 22   | 012/FV14/3  | Secondary Air Slide Retainer ..... | 4.15    | 4.98     | 41   | 010/MV19    | Side Fire Plate .....                       | 16.20   | 19.44    |
| 23   | 002/TW01    | Left Hand Door .....               | NA      |          |      |             |   |         |          |

\* These items are not shown on the drawing. Prices are shown in pounds sterling with vat at 20% They are correct at the date shown but may be subject to change without notice. E. & O.E These prices are subject to a carriage charge.

To obtain spare parts please contact your local stockist giving Model, Part No. and Description. In case of difficulty contact the manufacturer at the address shown. This drawing is for identification purposes only.

