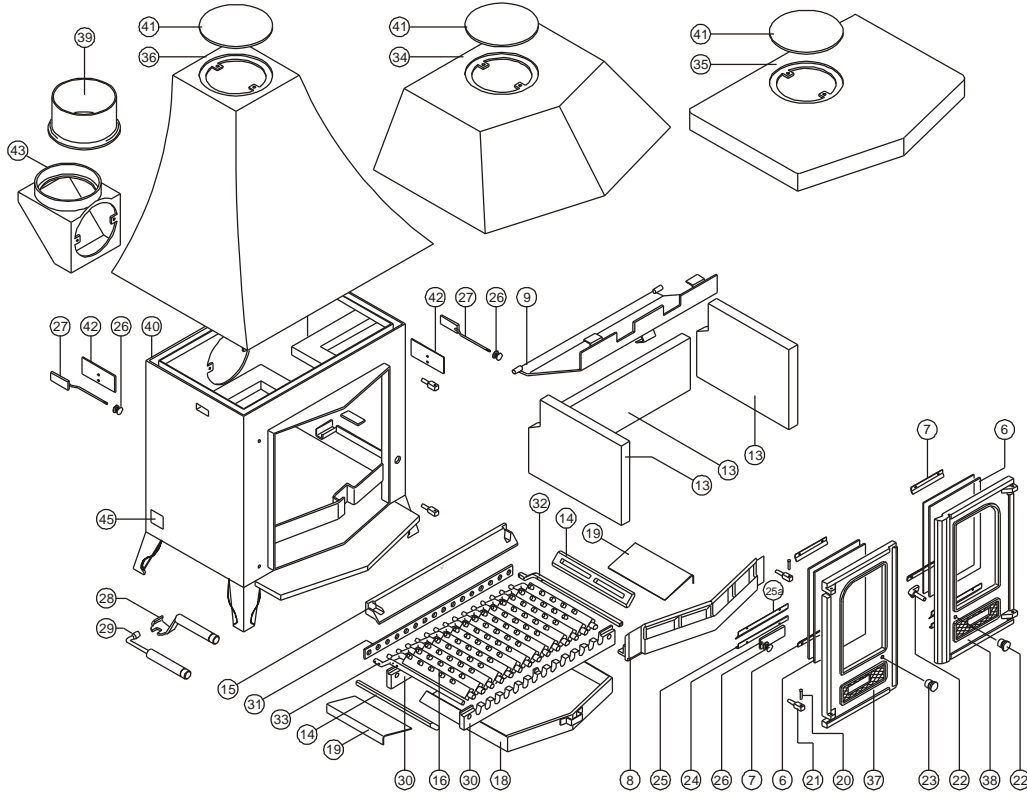




**Issue E**



Item	Part No.	Description	Ex.Vat.	Inc.Vat.	Item	Part No.	Description	Ex.Vat.	Inc.Vat.
1*	008/TW35L	Left Hand Door Seal .....	NA		25a	004/BV18	Primary Air Slide Guide (Upper) .....	16.70	20.04
2*	008/TW35R	Right Hand Door Seal .....	NA		26	002/TW13	Air Control Knob .....	19.90	23.88
3*	008/BV32	Canopy / Top Seal .....	32.50	39.00	27	004/BV15	Airwash Slide .....	19.50	23.40
4*	008/FW29	Door Seal Adhesive .....	7.50	9.00	28	012/BV20/A	Ashpan / Door Opening Tool .....	29.50	35.40
5*	008/TW75	Glass Seal Kit .....	16.10	19.32	29	010/TW22/A	Riddling Tool .....	NA	
6	006/LW30	Glass (Inc Seal) .....	39.50	47.40	30	002/BV30	Carrier Bar .....	78.00	93.60
7	004/EW23	Glazing Bar .....	4.40	5.28	31	012/BV33	Mover Bar .....	67.00	80.40
8	002/BV07	Front Fire Bars .....	126.00	151.20	32	012/BV23	Riddler Rod .....	29.50	35.40
9	010/BV31	Throat Plate .....	79.00	94.80	33	012/CG05	Idler Rod .....	37.50	45.00
13	011/BV28S	Set of Fire Bricks (3) .....	89.00	106.80	34	010/BV06	Low Canopy .....	NA	
14	002/EW15	Side Fire Plate .....	37.50	45.00	35	010/BV05	Flat Top .....	NA	
15	002/BV16	Back Fire Plate .....	71.00	85.20	36	010/BV04	High Canopy .....	NA	
16	002/CG01	Bottom Grate Bar .....	18.30	21.96	37	002/TW01	Left Hand Door .....	NA	
17	002/CG01S14	Set of Grate Bars (14 Per Set) .....	210.00	252.00	38	002/BV02	Right Hand Door .....	102.00	122.40
18	004/BV17	Ashpan .....	88.00	105.60	39	002/CH12A	Flue Collar .....	NA	
19	004/BV19	Ash Shedding Plate .....	18.30	21.96	40	001/BV10	Firebox (Country 12 M/F)		
20	008/BW39/S	Hinge Pin Set .....	4.15	4.98	41	012/TW09	Blanking Plate .....	26.50	31.80
21	008/FW27	Hinge Post .....	7.40	8.88	42	012/BV10/12	Air Wash Slide Cover Plate .....	23.00	27.60
22	008/BV03/A	Door Catch Assembly .....	25.50	30.60	43#	010/TW33	Vert. Rear Flue Connector (Opt'l Extra)	132.00	158.40
23	002/BV12	Left Hand Door Knob .....	NA		44*	010/EW51	Ash Carrier (Optional Extra) .....	132.00	158.40
24	012/TW14	Primary Air Slide .....	9.00	10.80	45	012/BV11	Serial No. Label .....	NA	
25	004/TW18	Primary Air Slide Guide (Lower) .....	11.10	13.32					

\* These items are not shown on the drawing. Prices are shown in pounds sterling with vat at 20% They are correct at the date shown but may be subject to change without notice. E. & O.E These prices are subject to a carriage charge.

To obtain spare parts please contact your local stockist giving Model, Part No. and Description. In case of difficulty contact the manufacturer at the address shown. This drawing is for identification purposes only.

