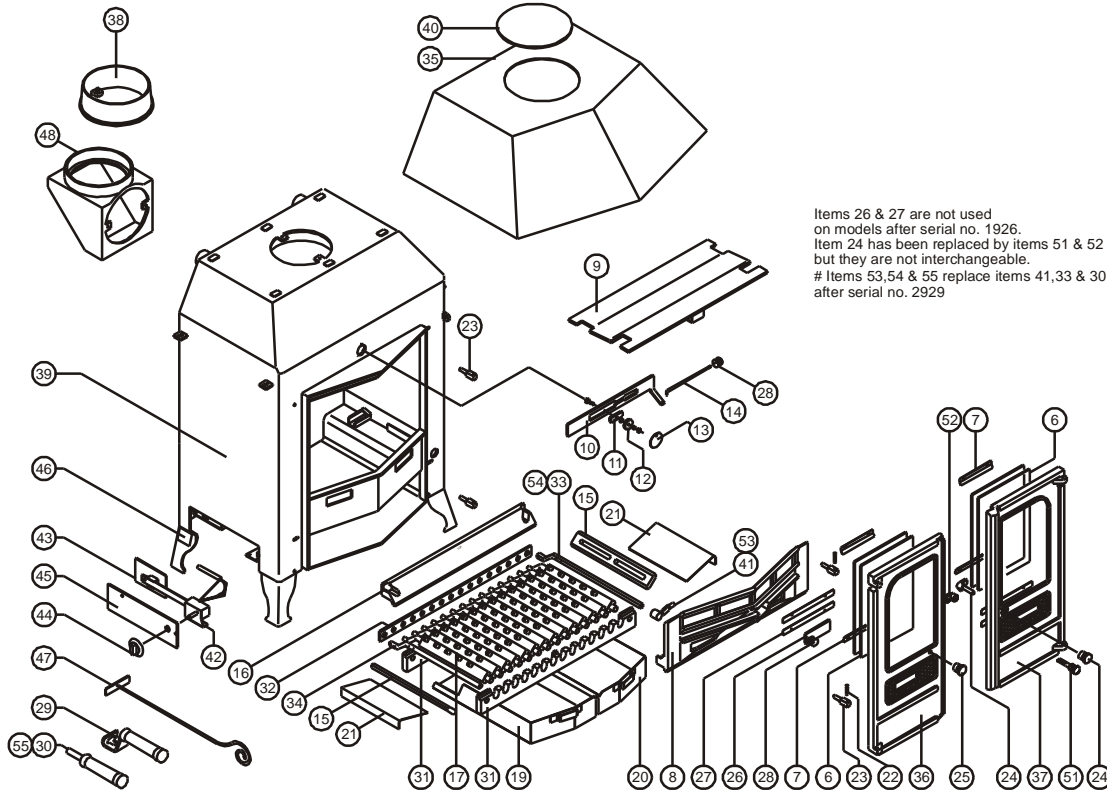




Issue F



Items 26 & 27 are not used on models after serial no. 1926.
 Item 24 has been replaced by items 51 & 52 but they are not interchangeable.
 # Items 53,54 & 55 replace items 41,33 & 30 on models after serial no. 2929

Item	Part No.	Description	Ex.Vat.	Inc.Vat.	Item	Part No.	Description	Ex.Vat.	Inc.Vat.
1*	008/FV35L	Left Hand Door Seal	NA		29	012/BV20/A	Ashpan / Door Opening Tool	29.50	35.40
2*	008/FV35R	Right Hand Door Seal	NA		30	012/BV22/A	Riddling Tool	20.50	24.60
3*	008/FV35/S	Door Seal Set Incl. Adhesive	32.50	39.00	31	002/BV30	Carrier Bar	78.00	93.60
4*	008/FW29	Door Seal Adhesive	7.50	9.00	32	012/BV33	Mover Bar	67.00	80.40
5*	008/TW75	Glass Seal Kit	16.10	19.32	33	012/BV23	Riddler Rod	29.50	35.40
6	006/LW30	Glass (Inc Seal)	39.50	47.40	34	012/CG05	Idler Rod	37.50	45.00
7	004/EW23	Glazing Bar	4.40	5.28	35	010/FV06	Low Canopy	375.00	450.00
8	002/FV07	Front Firebars	132.00	158.40	36	002/FV01	Left Hand Door	128.00	153.60
9	010/FV31	Throat Plate	79.00	94.80	37	002/FV02	Right Hand Door	128.00	153.60
10	012/FV14/1	Secondary Air Slide	15.20	18.24	38#	002/CH12B	Flue Collar	79.00	94.80
11	012/FV14/2	Secondary Air Slide Guide	3.60	4.32	39	009/CO15B/A	Firebox / Boiler Assy (Country 15B)		
12	012/FV14/3	Secondary Air Slide Retainer	4.15	4.98	40	012/TW09	Blanking Plate	26.50	31.80
13	012/FV14/4	Secondary Air Cover	26.00	31.20	41	002/TW34	Riddler Knob & Lever	30.00	36.00
14	004/FV15	Secondary Air Rod	19.50	23.40	42	008/FW48	Thermostat	59.00	70.80
15	002/EW15	Side Fire Plate	37.50	45.00	43	008/FV49	Thermostat Flap	10.80	12.96
16	002/BV16	Back Fire Plate	71.00	85.20	44	008/BW50	Thermostat Knob	5.25	6.30
17	002/CG01	Bottom Grate Bar	18.30	21.96	45	012/FV10B/19	Thermostat Cover	17.50	21.00
18	002/CG01S14	Set of Grate Bars (14 Per Set)	210.00	252.00	46	012/FV11	Serial No. Label		
19	004/FV17L	Left Hand Ashpan	86.00	103.20	47	012/FW34	Scraper Tool	14.30	17.16
20	004/FV17R	Right Hand Ashpan	86.00	103.20	48#	010/TW33	Vert. Rear Flue Connector (Opt'l Extra)	132.00	158.40
21	004/BV19	Ash Shedding Plate	18.30	21.96	49*	010/BW51	Ash Carrier (Optional Extra)	132.00	158.40
22	008/BW39/S	Hinge Pin Set	4.15	4.98	50*	008/TH02/L	Low Level Pipe Stat (Opt'l Extra)	66.00	79.20
23	008/FW27	Hinge Post	7.40	8.88	51	002/DY18	R.H. Door Knob & Spindle	23.00	27.60
24	008/FV03/A	Door Catch Assembly	25.50	30.60	52	002/AY14	Door Catch Cam	11.20	13.44
25	002/BV12	Left Hand Door Knob	NA		53**	002/AY27	Riddler Knob	23.50	28.20
26	012/TW14	Primary Air Slide	9.00	10.80	54**	012/BV37	Riddler Rod	38.50	46.20
27	004/FV18	Primary Air Slide Guide	15.50	18.60	55**	012/BV36/A	Riddling Tool	26.50	31.80
28	002/TW13	Air Control Knob	19.90	23.88					

* These items are not shown on the drawing. Prices are shown in pounds sterling with vat at 20% They are correct at the date shown but may be subject to change without notice. E. & O.E These prices are subject to a carriage charge.

To obtain spare parts please contact your local stockist giving Model, Part No. and Description. In case of difficulty contact the manufacturer at the address shown. This drawing is for identification purposes only.

