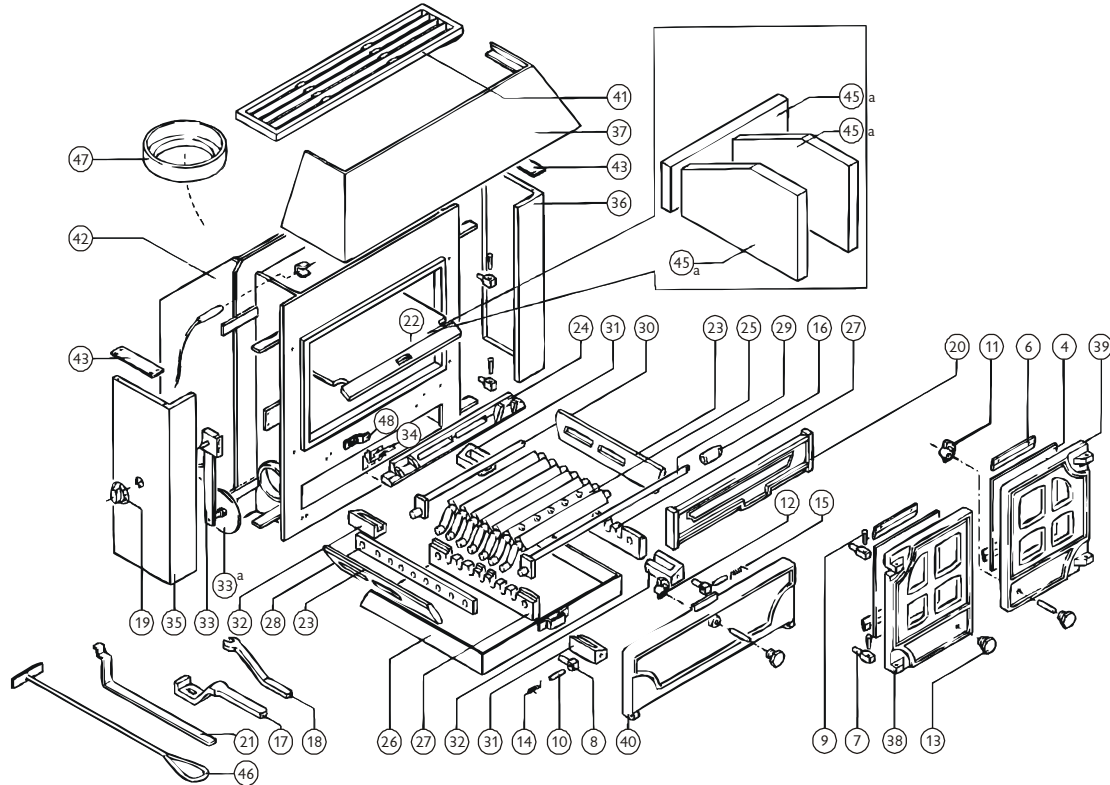




Issue F



Item	Part No.	Description	Ex.Vat.	Inc.Vat.	Item	Part No.	Description	Ex.Vat.	Inc.Vat.
*	008/EW35L	L.H. Door Seal	NA		25a	002/CG01S7	Set of Grate Bars (7per Set)	102.00	122.40
*	008/EW35S	Door Seal Set Inc Adhesive	32.50	39.00	26	004/EW17	Ashpan	84.00	100.80
*	008/EW45	Glass Seal Kit	14.50	17.40	27	002/HW30	Carrier Bar	31.00	37.20
*	008/FW29	Door Seal Adhesive	7.50	9.00	28	012/HW33	Mover Bar	49.50	59.40
4	006/FW30	Glass (Inc Seal)	47.00	56.40	29	012/FW14	Riddler Rod	39.00	46.80
6	004/EW23	Glazing Bar	4.40	5.28	30	012/CG05	Idler Rod	37.50	45.00
7	008/FW27	Hinge Post	7.40	8.88	31	002/CG07	Carrier Bar Support L.H.	9.45	11.34
8	008/FW28	Hinge Post	7.75	9.30	32	002/CG08	Carrier Bar Support R.H.	9.45	11.34
9	008/BW39/S	Hinge Pin Set	4.15	4.98	33	008/BW49	Thermostat	66.00	79.20
10	008/BW40/S	Hinge Pin A/P Door Set	5.25	6.30	33a	008/BW57	Thermostat Flap 90mm Dia	10.10	12.12
11	008/BW41/A	Door Catch Assembly R.H.	25.50	30.60	34	004/BW46	Over Run Catch	12.40	14.88
12	008/BW42/A	Door Catch Assembly Ashpit	25.50	30.60	35#	005/FW05L	Side Panel L.H.	NA	
13	002/HV12	Door Knob L.H. (Round)	17.00	20.40	36#	005/FW05R	Side Panel R.H.	NA	
14	008/BW43L	Ashpit Door Spring L.H.	4.95	5.94	37#	005/FW06	Hood Panel	NA	
15	008/BW43R	Ashpit Door Spring R.H.	4.95	5.94	38#	003/EW01	Door L.H.	NA	
16	002/CG06	Riddler Knob	22.50	27.00	39#	003/EW02	Door R.H.	NA	
17	002/BW20	Riddler/Ashpan Tool	29.00	34.80	40#	003/FW03	Ashpit Door	NA	
18	002/BW26	Door Opening Tool	12.10	14.52	41#	003/FW04	Top Grid	NA	
19	008/BW50	Thermostat Knob	5.25	6.30	42	001/HW10	Firebox (CW20i)		
20	002/FW07	Front Firebar	89.00	106.80	43	008/FW46/A	Hood Fixing Kit	21.00	25.20
21	008/FW33	Throatplate Tool	12.90	15.48	45a	011/HW09S	Set of Firebricks	81.00	97.20
22	002/HW31	Throat Plate	92.00	110.40	46	012/FW34	Scraper Tool	14.30	17.16
23	002/HW15	Side Fire Plate	20.50	24.60	47	002/FW49	Cast Iron Flue Adaptor (Opt'l Extra) ...	NA	
24	002/HW16	Back Fire Plate	21.00	25.20	48	012/BW45	Ashpit Door Bracket	NA	
25	002/CG01	Bottom Grate Bar	18.30	21.96	49*	010/EW51	Ash Carrier (Optional Extra)	132.00	158.40

* These items are not shown on the drawing.

Please specify colour when ordering. Prices are shown in pounds sterling with vat at 20% They are correct at the date shown but may be subject to change without notice. E. & O.E These prices are subject to a carriage charge.

To obtain spare parts please contact your local stockist giving Model, Part No. and Description. In case of difficulty contact the manufacturer at the address shown. This drawing is for identification purposes only.

