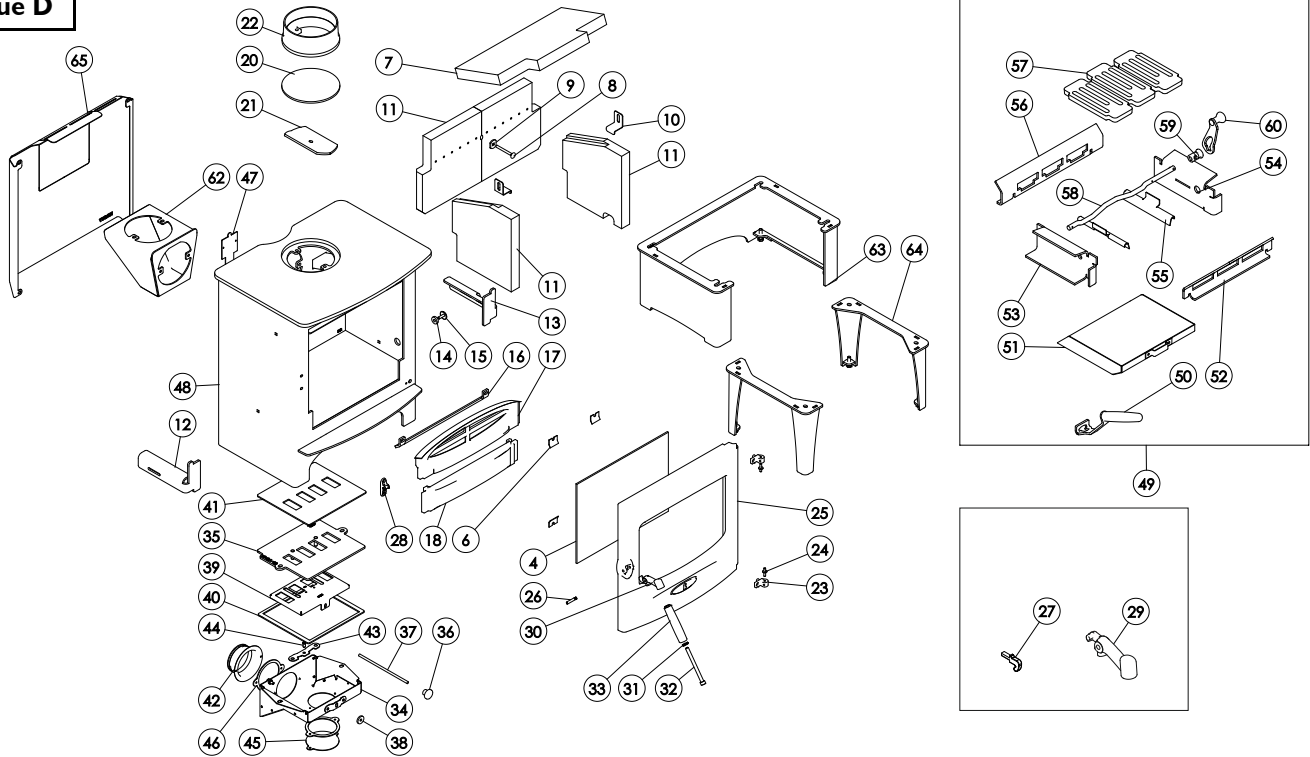




Issue D



Item	Part No.	Description	Ex.Vat.	Inc.Vat.	Item	Part No.	Description	Ex.Vat.	Inc.Vat.
1*	008/NR039	18mm Rope Door Seal (V2 Door)	32.50	39.00	34	004/CR041	Air Box Cover	45.50	54.60
2*	008/NR038	Door Seal (10mm Dia)	14.00	16.80	35	010/CR005	Air Control Plate	62.00	74.40
3*	008/FW29	Door Seal Adhesive	7.50	9.00	36	008/AY37	Air Control Knob	5.25	6.30
4	006/NR019	Glass	51.00	61.20	37	004/ER016	Control Rod	2.40	2.88
5*	008/NR044	Glass Seal	12.50	15.00	38	008/BR052	Felt Washer	1.24	1.49
6	004/KV23	Glass Retainer	0.76	0.91	39	004/NRE007	Air Inlet Slide	23.00	27.60
7	011/NRE131	Brick Throat Plate	48.00	57.60	40	008/BR045	Lower Airbox Gasket	11.50	13.80
8	008/FFB125	Coach Bolt M6 x 45	0.79	0.95	41	008/CR006	Airbox Gasket	11.50	13.80
9	010/ER036	Brick Retaining Washer	2.10	2.52	42	008/CR048	Air Inlet Spigot	7.90	9.48
10	004/XV30	Brick Bracket	4.00	4.80	43	004/BR015	Clicker Retainer Plate	3.85	4.62
11	011/NRE1305	Set of Firebricks	90.00	108.00	44	008/ES36/01	Brass Ball Catch	4.95	5.94
12	010/NR028	L.H. Brick and Fence Support	19.60	23.52	45	004/CR064	Coverplate	10.70	12.84
13	010/NR029	R.H. Brick and Fence Support	19.60	23.52	46	008/CR063	Duct Gasket	5.25	6.30
14	010/DY24	Riddler Blank Spacer	1.71	2.05	47	012/NRE011	Serial No. Label		
15	004/DY22	Riddler Hole Plug	5.05	6.06	48#	001/NR010	Firebox		
16	010/NR018	Ash Deflector			49	010/NR022	Wood Ash Removal Kit (Inc Handle)	220.00	264.00
17	002/NR017	Fuel Retainer	66.00	79.20	50	012/BV20/A	Ashpan Tool	29.50	35.40
18	002/BR034	Wood Ash Retainer	44.00	52.80	51	004/BR033	Ashpan	43.50	52.20
19*	008/NV38	Flue Fixing Rope Seal			52	010/CRE006	Front Grate Support	26.00	31.20
20	012/PV09	Blanking Plate	26.50	31.80	53	010/NR043	L.H. Grate Support	30.00	36.00
21	010/EY51	Clamping Plate	21.00	25.20	54	010/NR042	R.H.Grate Support	30.00	36.00
22#	002/PV12B	Flue Collar	62.00	74.40	55	004/BRE019	Ash Shedding Plate	11.50	13.80
23	002/BR020	Hinge Casting	12.80	15.36	56	010/NR061	Rear Grate Support	30.00	36.00
24	008/BW39/S	Hinge Pin Set 5mm x 25mm	4.15	4.98	57	002/EY03	Grate Plate	37.50	45.00
25#	002/NR001/A	Door Assembly	250.00	300.00	58	010/DR060	Riddler Rod	38.50	46.20
26	004/BR014	Handle Pivot Pin	5.70	6.84	59	002/DY21	Riddler Knob	24.00	28.80
27	002/PV13	Door Latch	9.65	11.58	60	008/DY27	Riddling Tool	15.50	18.60
28**	004/BR084	Door Latch	12.60	15.12	61*	010/EW51	Ash Carrier (Optional Extra)	132.00	158.40
29	002/BR012	Handle Casting	23.50	28.20	62#	010/BU034	Vertical Rear Flue Adapter (Opt'l Extra)	132.00	158.40
30**	002/BR087	Handle Casting	21.00	25.20	63#	010/NR050	Store Stand (Optional Extra)	146.00	175.20
31	008/FFW015	Thackery Washer	2.40	2.88	64#	010/ER051S	High Legs (Optional Extra)	142.00	170.40
32	008/FFB007	M8 x 100 Allen Hd Bolt	0.50	0.60	65#	010/NR057	Heat Shield (Optional Extra)	73.00	87.60
33	008/BR013	Wooden Handle	14.50	17.40					

* Not shown on the drawing.

** These items are only used on models prior to serial no. 100623 excluding no. 100301 - 100305

Please specify colour Prices are shown in pounds sterling with vat at 20% They are correct at the date shown but may be subject to change without notice. E. & O.E These prices are subject to a carriage charge.

To obtain spare parts please contact your local stockist giving Model, Part No. and Description. In case of difficulty contact the manufacturer at the address shown. This drawing is for identification purposes only.

