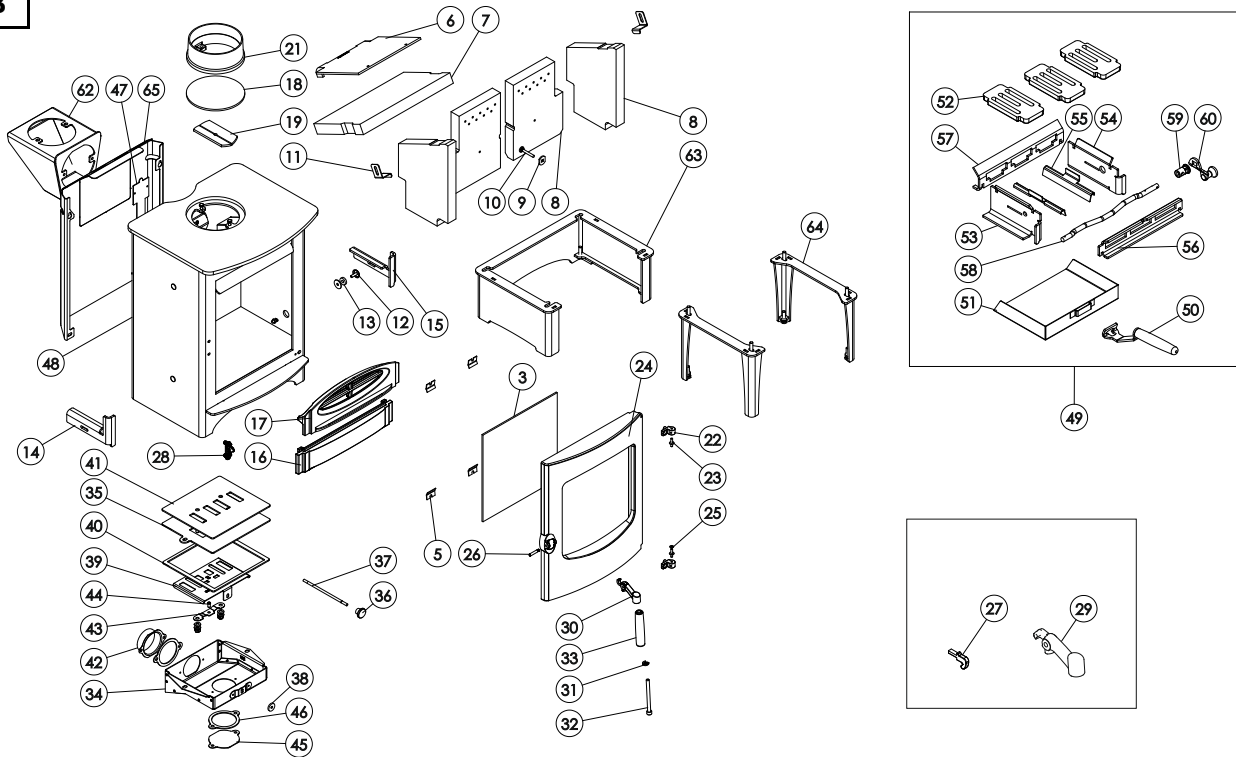




Issue B



Item	Part No.	Description	Ex.Vat.	Inc.Vat.	Item	Part No.	Description	Ex.Vat.	Inc.Vat.
1*	008/BR038	Rope Door Seal	12.00	14.40	34	004/BR041	Airbox Cover	57.00	68.40
2*	008/FW29	Door Seal Adhesive	7.50	9.00	35	004/BR005	Air Box Control Plate	21.00	25.20
3	006/PV19	Glass (Inc Seal)	43.00	51.60	36	008/AY37	Air Control Knob	5.25	6.30
4*	008/PV55	Glass Seal	13.80	16.56	37	004/BR016	Control Rod	19.50	23.40
5	004/KV23	Glass Retainer	0.76	0.91	38	008/BR052	Felt Washer	1.24	1.49
6	010/BRE147	Upper Throat Plate			39	004/BRE007	Air Inlet Slide	31.00	37.20
7	011/BRE131	Brick Throat Plate	38.00	45.60	40	008/BR045	Lower Air Box Gasket	11.50	13.80
8	011/BRE148S	Set of Firebricks	81.00	97.20	41	008/BR006	Airbox Gasket	11.50	13.80
9	010/ER036	Brick Retaining Washer	2.10	2.52	42	004/BR053	Air Inlet Spigot	28.50	34.20
10	008/FFB127	M6x45 Coach Bolt	0.78	0.94	43	004/BR015	Clicker Retainer Plate	3.85	4.62
11	004/XV30	Brick Retaining Bracket			44	008/ES36/01	Brass Ball Catch	4.95	5.94
12	004/DY22	Riddler Blanking Disk	5.05	6.06	45	004/BR054	Coverplate	10.70	12.84
13	010/DY24	Riddler blank spacer			46	008/BR044	Blanking Plate Gasket	11.50	13.80
14	010/BRE027L	LH Brick and Fence Support			47	012/BRE011	Serial No. Label		
15	010/BRE027R	RH Brick and Fence Support			48#	001/BRE010	Firebox		
16	002/BR034	Wood Ash Retainer			49	010/BRE022	Wood Ash Removal Kit (Optional Extra)	225.00	270.00
17	002/BR017	Fuel Retainer	56.00	67.20	50	012/BV20/A	Ashpan Tool	29.50	35.40
18	012/PV09	Blanking Plate	26.50	31.80	51	004/PV17	Ashpan	39.00	46.80
19	010/EY51	Clamping Plate	21.00	25.20	52	002/BRE003	Grate Plate	42.00	50.40
20*	008/EY38	Flue Fixing Rope Seal	8.20	9.84	53	010/BRE004	L.H. Grate Support	31.00	37.20
21#	002/PV12B	Flue Collar	62.00	74.40	54	010/BRE005	R.H. Grate Support	31.00	37.20
22	002/BR020	Hinge	12.80	15.36	55	004/BRE019	Ash Shedding Plate	11.50	13.80
23	008/ST068/2	Hinge Pin Set	3.85	4.62	56	010/BRE006	Front Grate Support	28.50	34.20
24#	002/BR001/A	Door Assembly	225.00	270.00	57	010/BRE009	Rear Grate Support	30.00	36.00
25	008/FFW026	1/4 Heavy Brass Washer	0.15	0.18	58	010/EY13	Riddler Rod	38.50	46.20
26	004/BR014	Handle Pivot Pin	5.70	6.84	59	002/DY21	Riddler Knob	24.00	28.80
27	002/PV13	Door Latch	9.65	11.58	60	008/DY27	Riddling Tool	15.50	18.60
28**	004/BR084	Door Latch			61*	010/EW51	Ash Carrier (Optional Extra)	132.00	158.40
29	002/BR012	Handle Casting	23.50	28.20	62#	010/BU034	Vert Rear Flue Adaptor (Opt'l Extra) ...	132.00	158.40
30**	002/BR087	Handle Casting			63#	010/BR050	Store Stand (Optional Extra)	147.00	176.40
31	008/FFW015	Spring Washer (Thackery Type)	2.40	2.88	64#	010/BR051S	High Legs (Optional Extra)	142.00	170.40
32	008/FFB007	M8 x 100mm Allen Head Bolt	0.50	0.60	65#	010/BR057	Heat Shield (Optional Extra)	74.00	88.80
33	008/BR013	Wooden Handle	14.50	17.40					

* These items are not shown on the drawing

** These items are only used on models prior to serial no. 100417

Please specify colour when ordering. Prices are shown in pounds sterling with vat at 20% They are correct at the date shown but may be subject to change without notice. E. & O.E These prices are subject to a carriage charge

To obtain spare parts please contact your local stockist giving Model, Part No. and Description. In case of difficulty contact the manufacturer at the address shown. This drawing is for identification purposes only.

