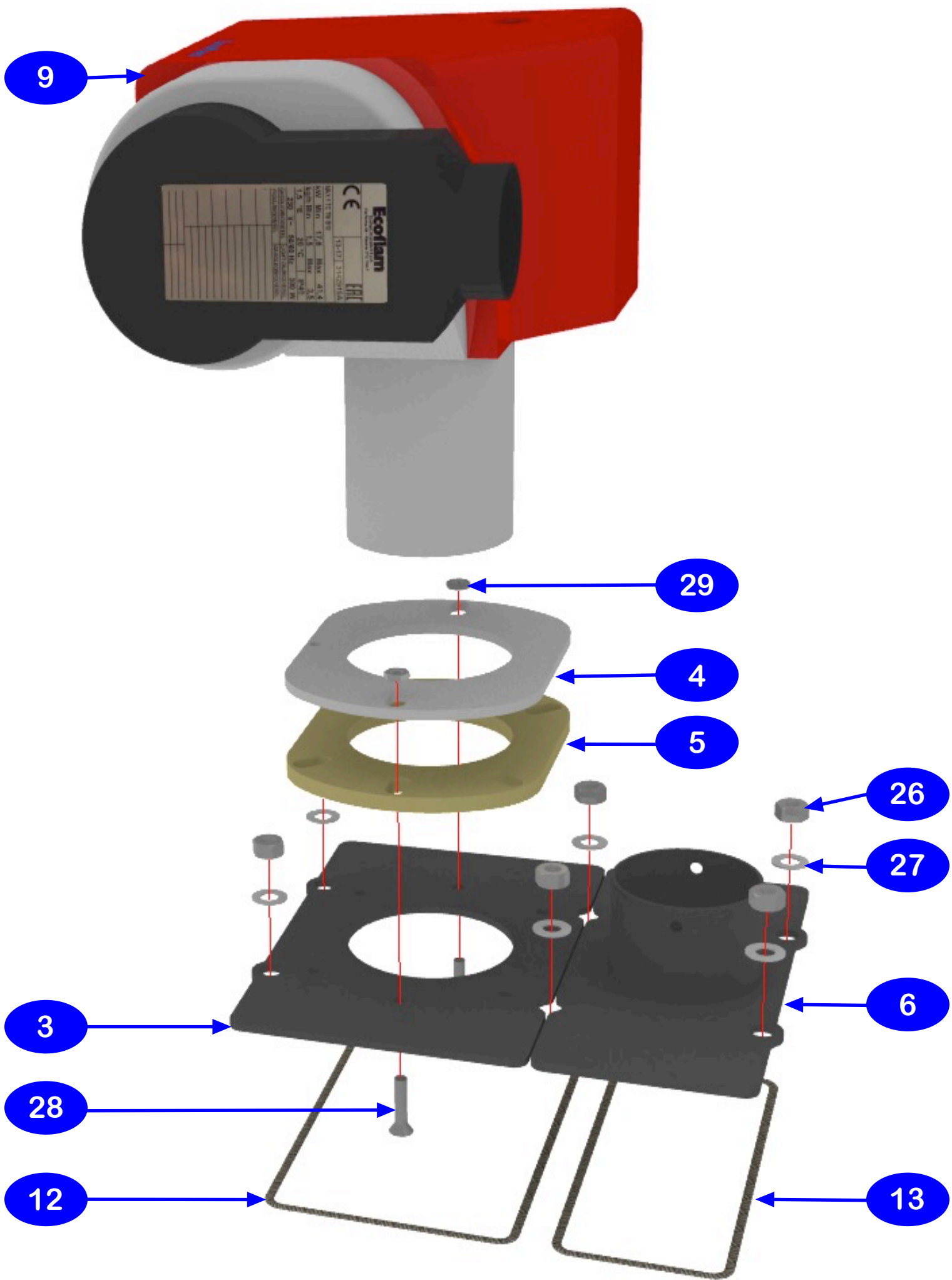
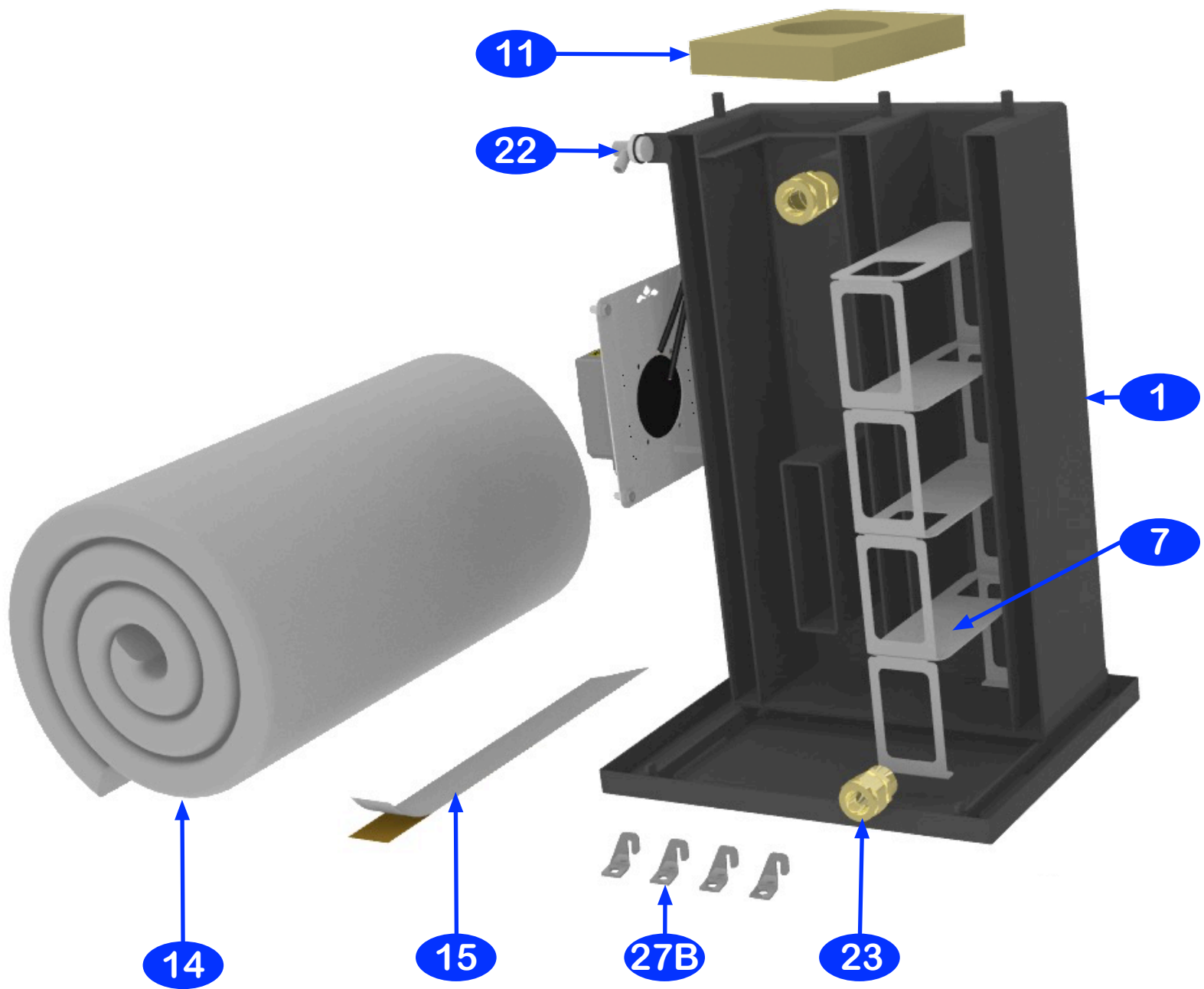


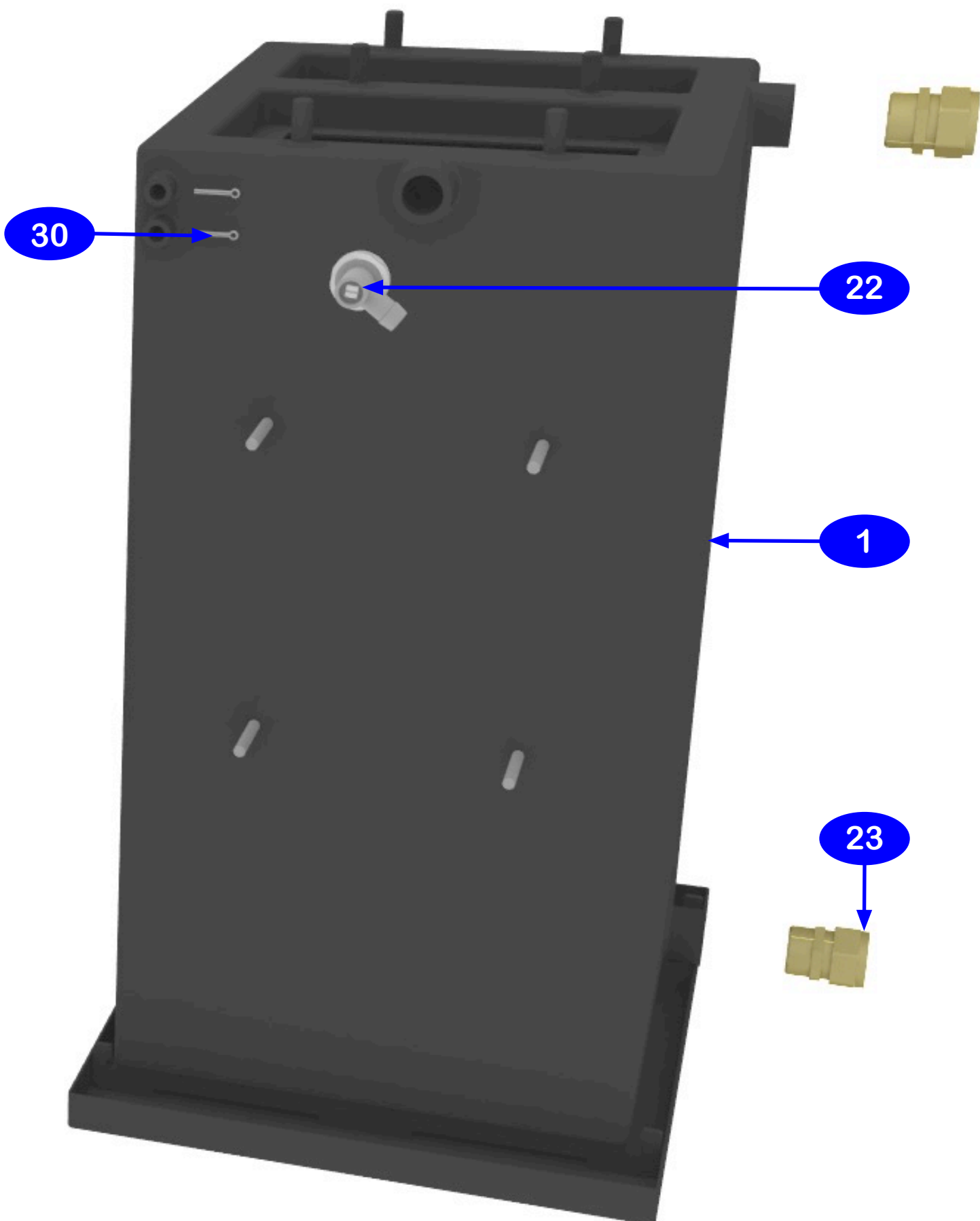
BUBBLE PJ MAX AUTO BOILER HORIZONTAL & VERTICAL VERSION PARTS LIST 22-03-19



ITEM NO	MAIN COMPONENTS FIG1	QTY PER BOILER	USED ON	PART NUMBER
1	BOILER COMPLETE FABRICATION WITH DRIP TRAY	1	VERTICAL	87-01-900-30ASS
1A	HORIZONTAL VERSION BOILER COMPLETE FABRICATION	1	HORIZONTAL	87-01-900-30ASSH
	MAX BURNER COMPLETE MINUS THE FUEL HOSES	1	BOTH VERSIONS	77-01-425-B
2	TOP PLATE FRONT ASSEMBLY WITH FLANGE AND GASKET PRE ASSEMBLED	1	BOTH VERSIONS	87-01-900-7ASSMAX
3	TOP PLATE FRONT SINGLE ITEM PART OF 87-01-900ASSMAX	1	BOTH VERSIONS	87-01-900-7
4	BURNER MOUNTING FLANGE SINGLE ITEM PART OF 87-01-900-7ASSMAX	1	BOTH VERSIONS	87-01-900-FLANGE
5	BURNER MOUNTING FLANGE GASKET (USE HT SILICONE TO SEAL BOTH SURFACES)	1	BOTH VERSIONS	87-01-900-GASKET
6	TOP PLATE REAR WITH FLUE OUTLET	1	VERTICAL	87-01-900-8ASS
6A	HORIZONTAL VERSION REAR OUTLET COVER PLATE	1	HORIZONTAL	87-01-900MAX1PRH
6B	HORIZONTAL VERSION FLUE OUTLET ADAPTOR	1	HORIZONTAL	87-01-900FA
7	BAFFLE PLATE SINGLE PART NO (4 REQUIRED PER SET.)	4	BOTH VERSIONS	87-01-900-20
8	CONTROL PANEL ASSEMBLY COMPLETE VERTICAL	1	VERTICAL	87-01-900-90ASSMAX
8A	CONTROL PANEL ASSEMBLY COMPLETE HORIZONTAL	1	VERTICAL	87-01-900-90ASSMAX
9	BURNER COMPLETE ASSEMBLY WITHOUT FUEL HOSES	1	BOTH VERSIONS	77-01-425-B
10	FLEXI RUBBER HOSES FOR BURNER ASS COMPLETE	2	BOTH VERSIONS	87-01-900-5B
10A	HORIZONTAL VERSION BASE MOUNTING PLATE ASSEMBLY	1	HORIZONTAL	87-01-900-8PHASS
10B	HORIZONTAL VERSION FASTENING STRAPS	2	HORIZONTAL	87-01-900-93
10C	HORIZONTAL VERSION RIGHT SIDE CONTROL MOUNTING BRACKET	1	HORIZONTAL	87-01-900PMPH
10D	HORIZONTAL VERSION LEFT SIDE CONTROL MOUNTING BRACKET	1	HORIZONTAL	87-01-900PMPH
10E	HORIZONTAL VERSION REAR COVER PLATE FOR THERMOSTAT CAPILLARIES	1	HORIZONTAL	87-01-900-TPRP
10F	HORIZONTAL VERSION FRONT COVER PLATE FOR THE THERMOSTAT CONTROL BOX	1	HORIZONTAL	87-01-900PMPHI
BOILER SEALS AND INSULATION FIG1				
11	BOILER TOP INSULATION BOARD	1	BOTH VERSIONS	87-01-900-72
12	TOP PLATE FRONT ROPE SEAL (BEDDED ON HT BLACK SILICONE)	1	BOTH VERSIONS	87-01-900-83
13	TOP PLATE REAR ASS ROPE SEAL (BEDDED ON HT BLACK SILICONE)	1	BOTH VERSIONS	87-01-900-84
14	ONE PIECE WRAP AROUND INSULATION BLANKET, THINSULATE	1	BOTH VERSIONS	87-01-900-87H
14A	BASE PIECE INSULATION THINSULATE	1	HORIZONTAL	87-01-900-87
15	3M ALLUMINIUM TAPE TO FASTEN THINSULATE BLANKET TO BOILER	1	BOTH VERSIONS	TAPE002
15A	6MM WIDE SELF ADHESIVE GLASS FIBRE TO FORM A GASKET FOR THE HORIZON FLUE ADAPTOR-TOP PLA	1	HORIZONTAL	87-01-900-85A
INSTRUMENTATION AND WIRING FIG1				
16	BOILER CONTROL PANEL PLATE (MOUNTING PLATE FOR THE THERMOSTAT CONTROL BOX)	1	VERTICAL	87-01-900-IMAX
17	IMIT THERMOSTAT BOX ASSEMBLY (TO BE FITTED TO THE MOUNTING PLATE)	1	BOTH VERSIONS	77-07-1010A
20	MAINS INPUT 3 CORE CABLE ONLY .75MM WHITE	1	VERTICAL	87-01-900-90MAX
21	BURNER INPUT 3 CORE CABLE ONLY .75MM WHITE INPUT	1	VERTICAL	87-01-900-89MAX
21A	THERMO-WATT E-BCU DIGITALDIAGNOSTIC KIT (OPTIONAL EXTRA)	1	BOTH VERSIONS	87-01-900-DK
31	BLUE PUSH IN CONNECTOR PL10210	1	BOTH VERSIONS	77-02-210
39	BUBBLE 7 PIN WIELAND PLUG FOR PJ BURNER (X0-0044)	1	BOTH VERSIONS	87-01-900-34
PLUMBING FIG1				
22	AIR VENT	1	VERTICAL	77-01-017-H
23	BOILER UNIONS	2	BOTH VERSIONS	77-01-767
FASTENERS				
24	M8 FLANGED NUT FOR BURNER FASTENING	1	BOTH VERSIONS	87-01-900-94A
25	M5 NUT FOR BACKING CONTROL PANEL PLATE	4	VERTICAL	77-01-210-K
26	M10 NUTS FOR FRONT AND REAR BOILER TOP PLATES	6	BOTH VERSIONS	77-02-010-G
27	M10 WASHERS FOR FRONT AND REAR BOILER TOP PLATES	6	BOTH VERSIONS	77-01-087
27A	M8 DOME HEAD NUT FOR MOUNTING CONTROL PANEL PLATE	4	VERTICAL	77-02-010-N
27B	BOILER FASTENING DOWN BRACKETS	4	BOTH VERSIONS	87-01-900-31
28	BURNER MOUNTING FLANGE FASTENERS M8 X 25 COUNTERSUNK SETSCREWS	2	BOTH VERSIONS	77-01-211A
29	M8 HALF NUTS FOR BURNER MOUNTING FLANGE FASTENERS	2	BOTH VERSIONS	87-01-900-94
30	SPLIT PIN FOR THERMOSTAT PHIAL FASTENING	2	BOTH VERSIONS	87-01-900-18
30A	THROUGH SIDE FITTING FASTENER M8 X 35 STAINLESS STEEL A2 SOCKET BUTTON SCREWS	6	BOTH VERSIONS	77-02-075
30B	8MM X 17MMOD X 1.6MM THICKSTAINLESS STEEL A FORM WASHER FOR 30A	6	BOTH VERSIONS	77-02-082
30C	M8 STAINLESS NUT FOR 30A	6	BOTH VERSIONS	77-02-010-A
OIL LINE				
10	FLEXI OIL LINES MARINE GRADE TO BS ISO 7840	2	BOTH VERSIONS	87-01-900-58
FLUEING				
32	FLUE LINER X 1METER	1	BOTH VERSIONS	77-02-750
33	PJ THROUGH SIDE ADDAPTOR	1	BOTH VERSIONS	77-02-770
34	90 DEGREE ELBOW	1	BOTH VERSIONS	77-02-678
35	FLAT ROPE SEAL FOR 90 DEGREE ELBOW (12MM X 3MM SELF ADHESIVE)	1	BOTH VERSIONS	77-01-915B
36	HEAVY DUTY CLAMPS FOR FLUE LINER TO THROUGH SIDE FITTING	2	BOTH VERSIONS	77-02-771
37	FLUE LAGGING (INSULATION FOR FLUE) 7 METERS FOR STANDARD FLUE LENGTH	1	BOTH VERSIONS	87-06-062-A
38	BLACK SILICONE SEALANT FOR LAGGING	1	BOTH VERSIONS	77-01-996
MAX 1 BURNER SPARES FIG2				
1	DANFOSS OIL PUMP BFP11R3 07IN0143 P/N 65327099	1	BOTH VERSIONS	77-01-470
2	OIL PUMP SOLENOID (SUPPLIED WITH REPLACEMENT PUMP.) P/N 65327118	1	BOTH VERSIONS	87-01-900-110
3	OIL PUMP SOLENOID STEM (SUPPLIED WITH REPLACEMENT PUMP.) P/N 65325612	1	BOTH VERSIONS	87-01-900-111
4	OIL PUM DRIVE COUPLING P/N 65074172	1	BOTH VERSIONS	87-01-900-04
5	PUMP ADAPTOR TO FASTEN FLEXI OIL PIPE TO OIL PUMP (NIPPLE) P/N 65321179	2	BOTH VERSIONS	87-01-472
7	FILTER (EXTERNAL TO THE BURNER) P/N 65070549	1	BOTH VERSIONS	87-01-900-103
8	COVER P/N 65325528	1	BOTH VERSIONS	87-01-900-112
6	FLEXI HOSES NOTE THAT HOSES USED IN UK MUST BE TO BS P/N 65323198	2	BOTH VERSIONS	87-01-900-58
9	MOTOR P/N 65322868	1	BOTH VERSIONS	87-01-900-113
10	CAPACITOR 3uF AEG P/N 65321857	1	BOTH VERSIONS	87-01-900-114
	CAPACITOR 5uF SIMMEL P/N 65325038	1	BOTH VERSIONS	87-01-900-115
11	IGNITION TRANSFORMER DANFOS Type EB14 M No 052F4038 P/N 65323257	1	BOTH VERSIONS	DANFOSS EB14
12	SUPPORT PLATE ON WHICH THE IGNITION TRANSFORMER IS MOUNTED P/N 65325251	1	BOTH VERSIONS	not regular spare
13	THERMOWAT CONTROL BOX WITH CABLES OLD P/N 65325255 NEW P/N 65324048 NEW A24	1	BOTH VERSIONS	87-01-900-IMAXD
14	PHOTOCELL P/N 65105243	1	BOTH VERSIONS	77-01-351
15	7 WAY WEILAND SOCKET P/N 65322070	1	BOTH VERSIONS	87-01-900-37
16	7 WAY WEILAND PLUG P/N 65322069	1	BOTH VERSIONS	87-01-900-34
17	FAN P/N 65323826	1	BOTH VERSIONS	87-01-900-106
18	AIR DAMPER P/N 65320519	1	BOTH VERSIONS	87-01-900-107
19	O RING P/N 65321066	1	BOTH VERSIONS	87-01-900-108
20	AIR INLET COVER P/N 65320132	1	BOTH VERSIONS	87-01-900-109
21	IGNITION TRANSFORMER LEADS (HT CABLES) TC P/N 65325252	2	BOTH VERSIONS	87-01-900-40
22	ELECTRODE P/N 65320924	1	BOTH VERSIONS	87-01-900-99
23	FLAME TUBE (BLAST TUBE) P/N 65320333	1	BOTH VERSIONS	87-01-900-95
24	NOZZLE HOLDER ASSEMBLY COMPLETE P/N 65325400	1	BOTH VERSIONS	87-01-900-100
25	NOZZLE HOLDER SUPPORT TC P/N 65320635	1	BOTH VERSIONS	87-01-900-101
26	NOZZLE HOLDER TC P/N 65320708	1	BOTH VERSIONS	87-01-900-102
27	AIR DIFUSER END (SWERLS THE OIL) P/N 65320760	1	BOTH VERSIONS	87-01-900-96
28	ROD FROM NOZZLE TO TUBE PIPE 35 BELOW P/N 65324056	1	BOTH VERSIONS	87-01-900-97
29	BURNER FLANGE P/N 65325174	1	BOTH VERSIONS	87-01-900-FLANGE
30	BURNER GASKET P/N 65075375	1	BOTH VERSIONS	87-01-900-GASKET
	SOLENOID CABLE DANFOSS	1	BOTH VERSIONS	not regular spare
33	FAN SCOOP TC P/N 65320505	1	BOTH VERSIONS	87-01-900-104
34	PIPE GASKET P/N 65321065	1	BOTH VERSIONS	87-01-900-105
35	HIGH PRESSURE COPPER FEED PIPE FROM PUMP TO HEAD NOZZLE HOLDER P/N 65321508	1	BOTH VERSIONS	87-01-900-98
36	NOZZLE 4 X 45D6 5 FOR MAX BURNER 030F4904	1	BOTH VERSIONS	77-01-016-T
37	THERMO-WATT E-BCU DIGITALDIAGNOSTIC KIT (OPTIONAL EXTRA) 3142931	1	BOTH VERSIONS	87-01-900-DK





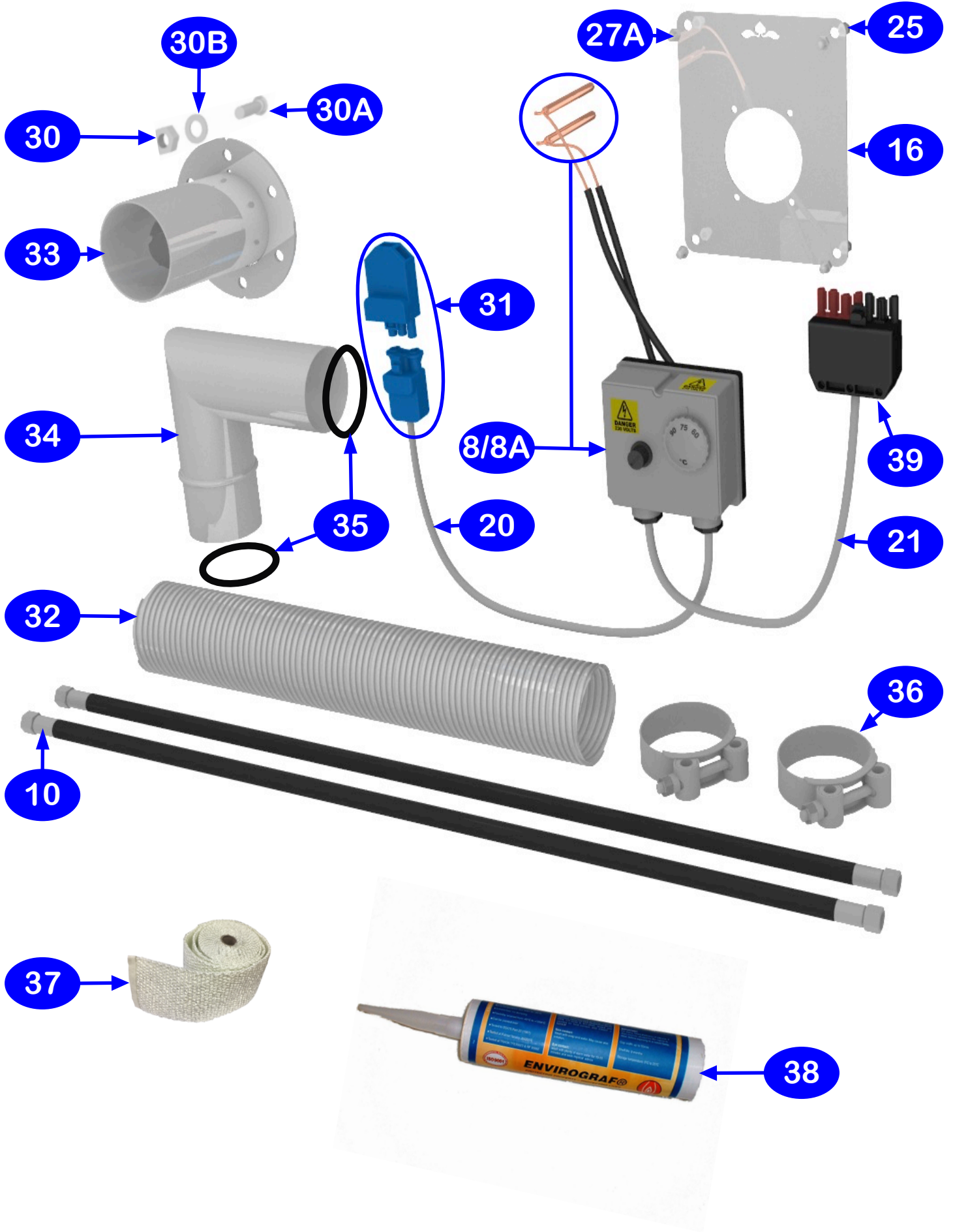


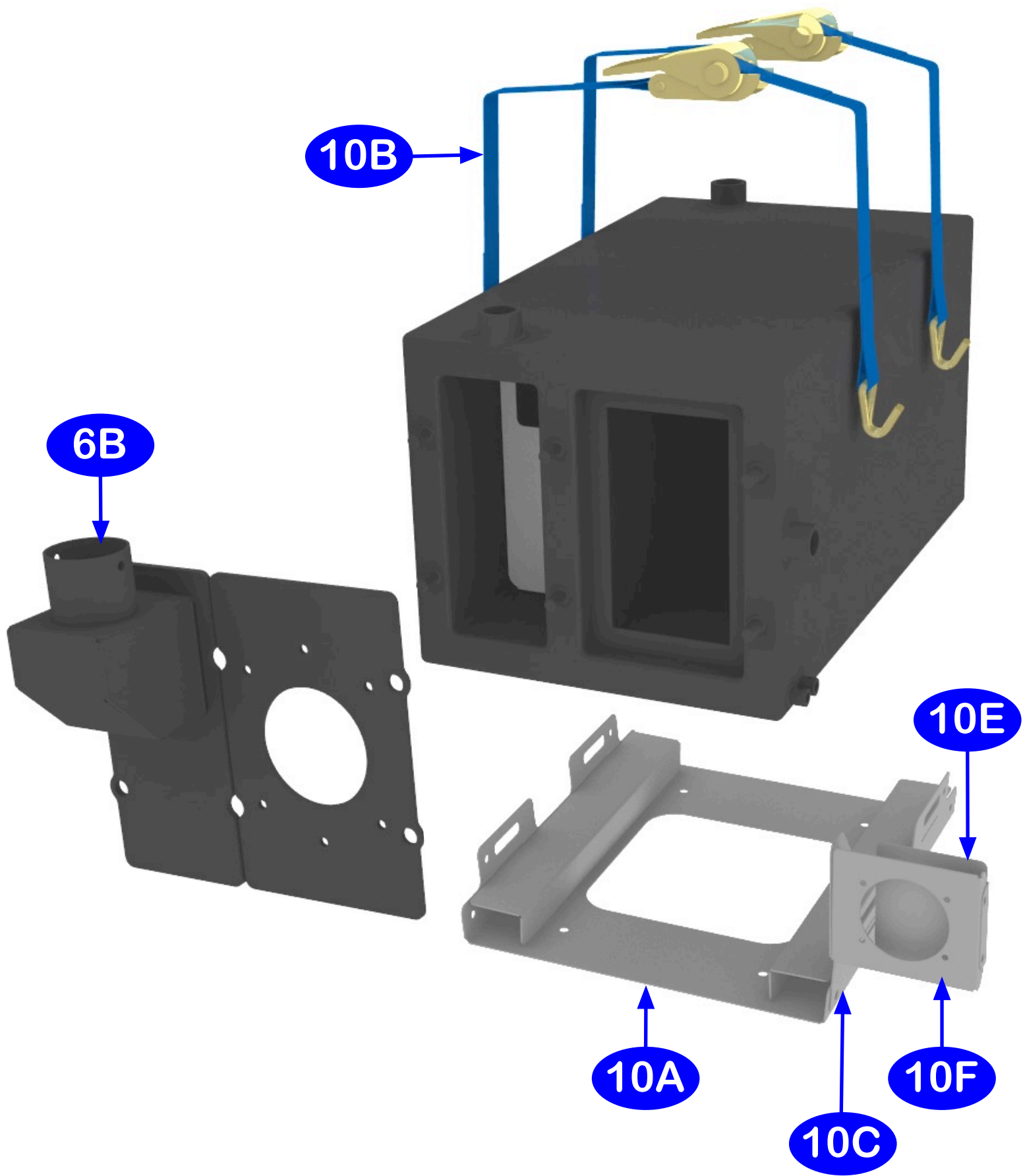
30

22

1

23





MAX 1

