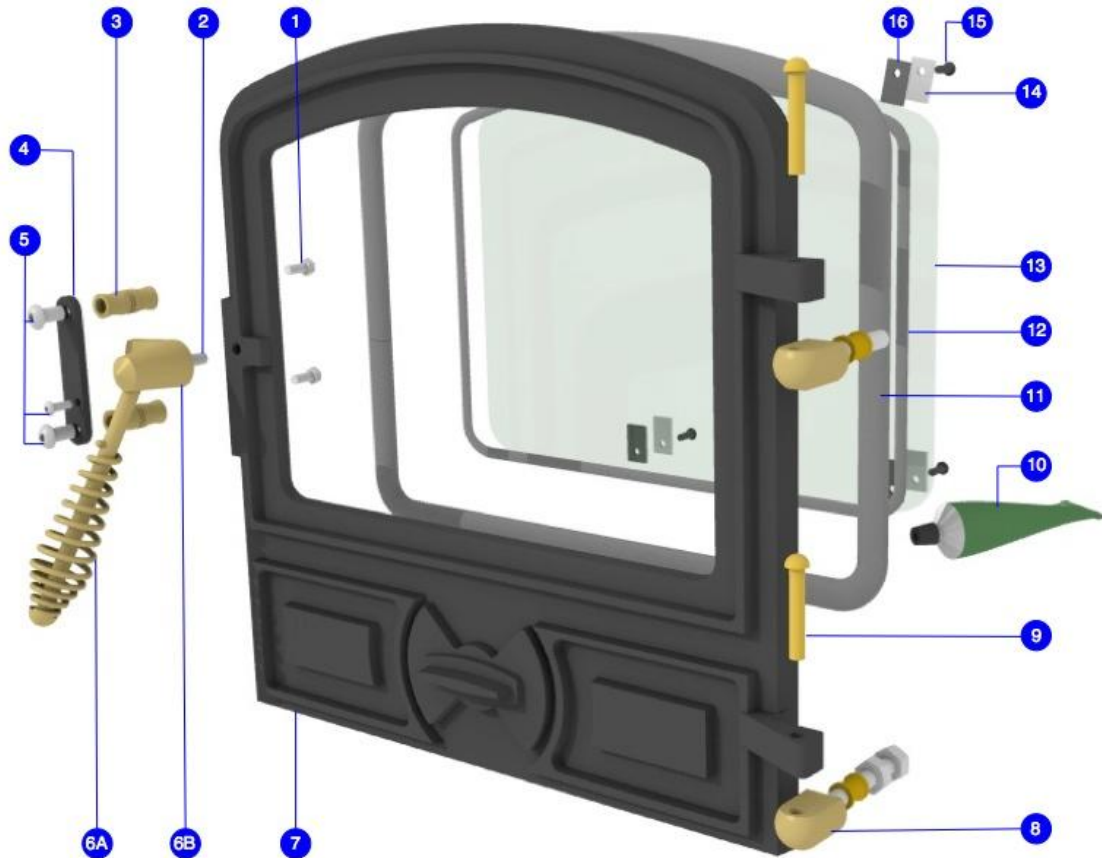


PARTS LIST

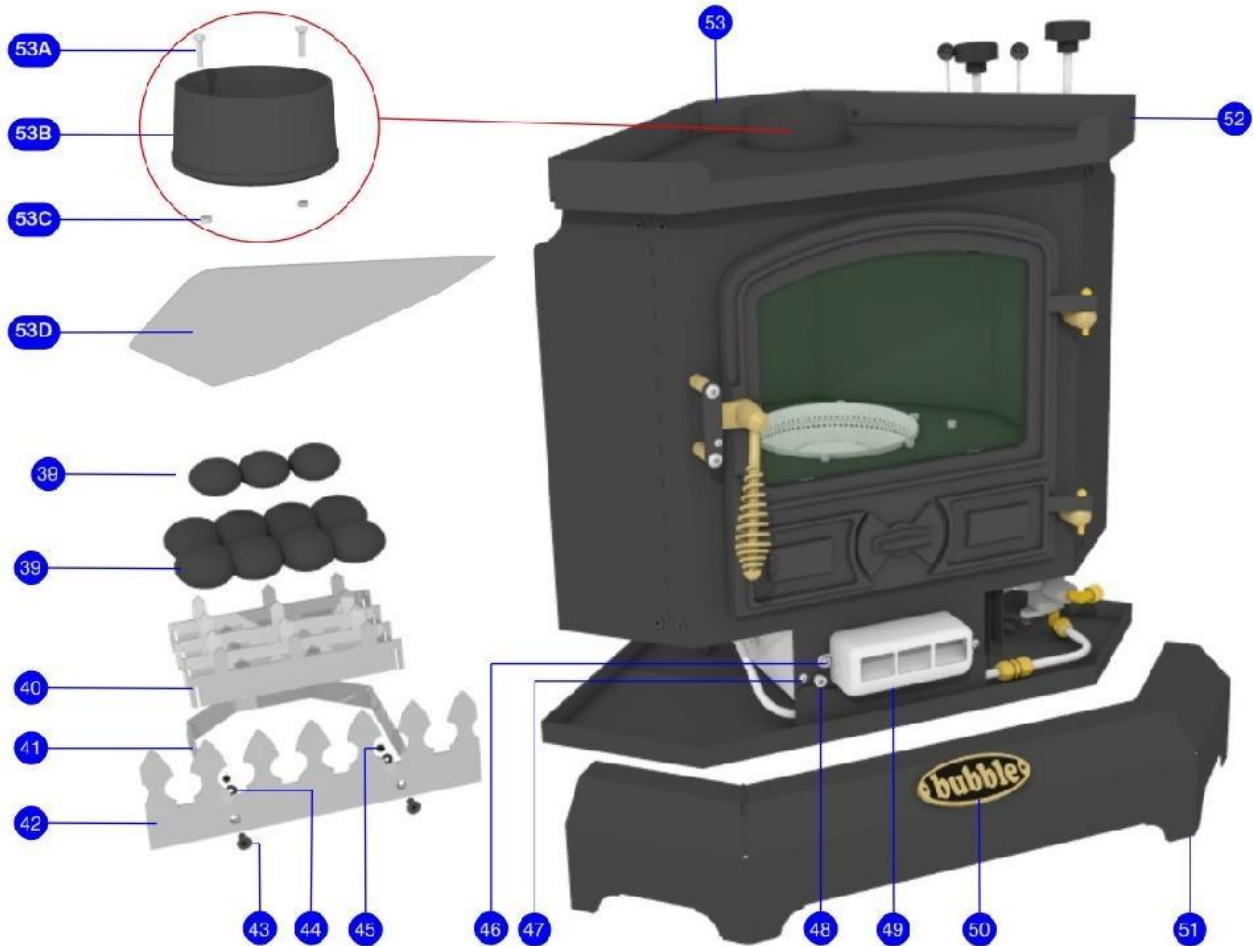
Corner Oil Stove Wet Or Dry 15-02-19



Door Assembly

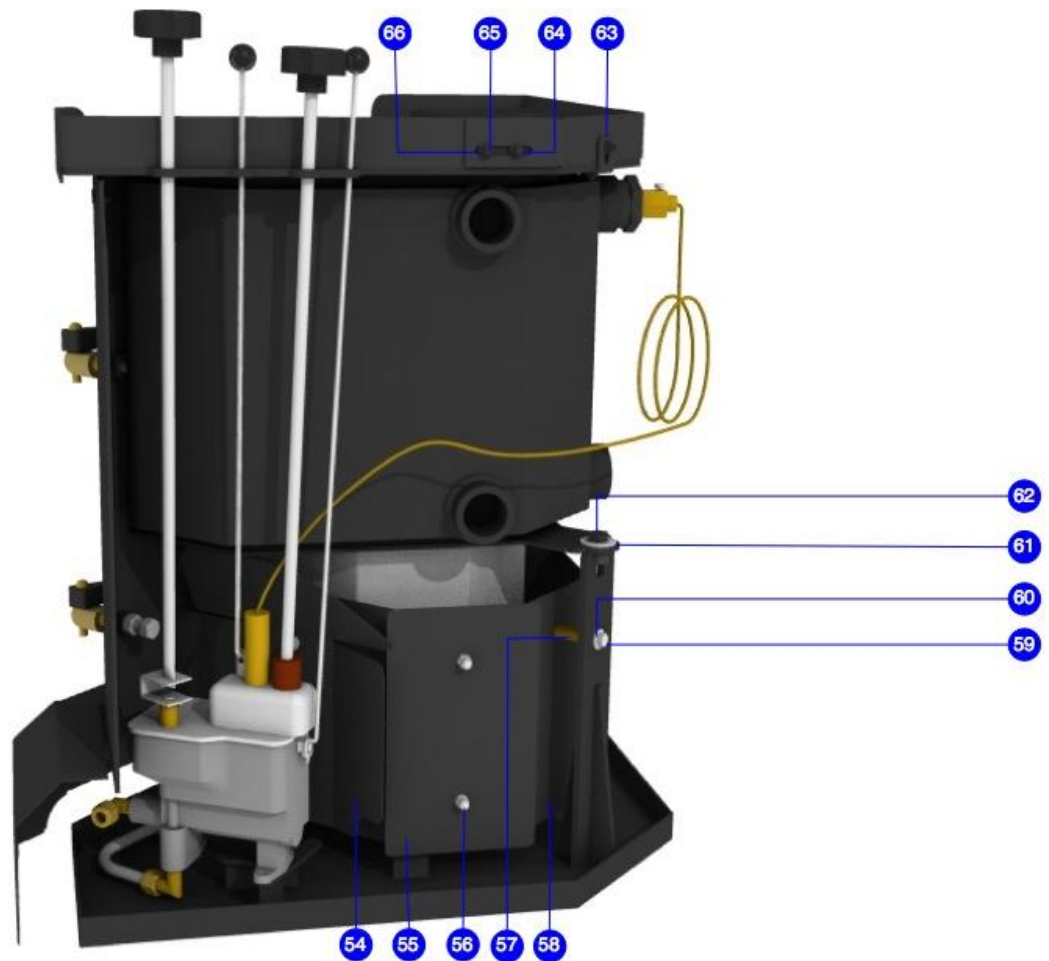
Click on part number to buy online.

ID No.	Part Description	Part No.
1	A2-70 SCREW FOR BRASS BRIDGE POSTS FOR BUBBLE STOVES	77-03-008
2	DOOR HANDLE AXLE	100956-B
3	BRASS BRIDGE POST 31MM LONG USED ON BUBBLE STOVES	BRASS035
4	DOOR LOCK PLATE	87-01-450-47
5	M6 X 10 S/S SOCKET BUTTON SCREW	77-02-030
6A	THREADED HANDLE BRASS (CURLY)	158541-B
6B	DOOR LOCK BRASS	301515-66-B
7	CORNER OIL DOOR	309997-B
8	BRASS DOOR HINGE PILLAR	BRASS025
9	CORNER OIL HINGE PIN	110404-B
10	DOOR ROPE ADHESIVE	77-01-965
11	DOOR ROPE	77-01-918C
12	GLASS ROPE	181632-B
13	CORNER OIL GLASS	188798-B
14	SQUARE (FIXING PLATE)	259015-B
15	GLASS SCREWS	77-03-017
16	GLASS GASKETS	142881-B



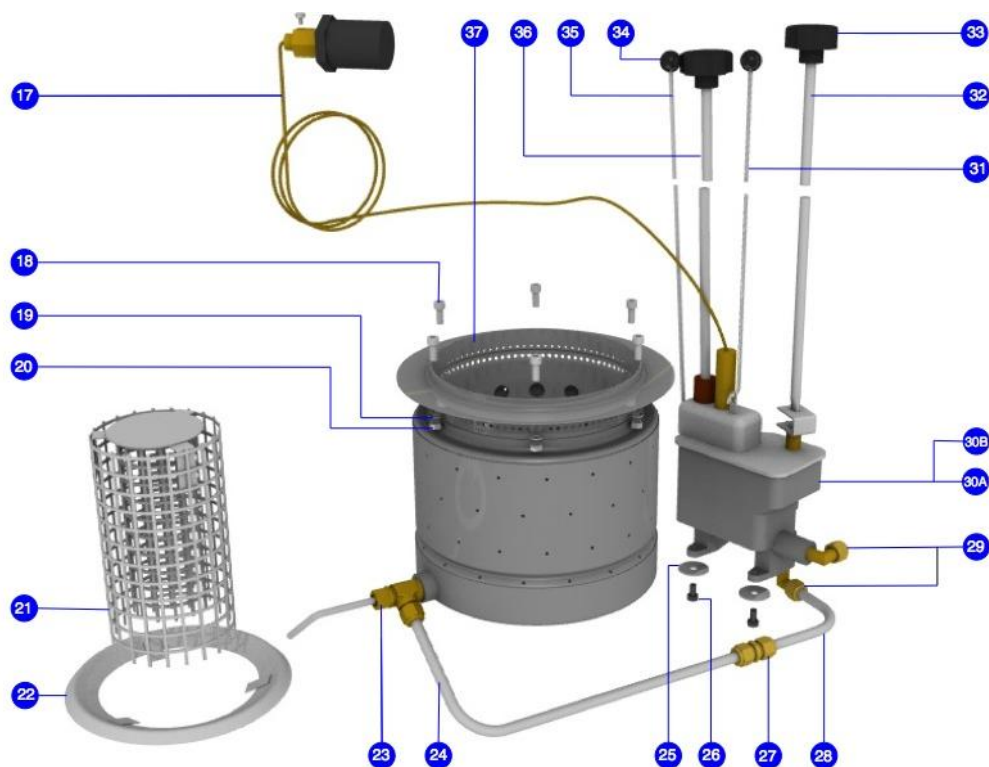
Front Section

ID No.	Part Description	Part No.
--	COMPLETE COAL KIT	92-20-200
38	SMALL COALS	COALS-CEO280
39	MEDIUM COALS	COALS-CEO238
40	CROSS BRACE SUPPORTS FOR CORNER OIL COAL KIT	92-20-200-F
41	COAL KIT OUTER SUPPORT FRAME	92-20-200-G
42	FRONT FRET FOR COAL KIT	92-20-200-A
43	M5 X 10 CSK SOCKET SCREWS	77-03-017
44	M6 A2 STD WASHER	77-03-021
45	M5 S/S HEX HD NUT	77-02-006-D
46	M5 X 10 CAP HEAD STAINLESS ALLEN SCREW	77-01-209-A
47	M5 X 10MM DOME HEAD STAINLESS ALLEN SCREW	77-01-210-A
48	M6 X 10MM CAP HEAD STAINLESS ALLEN SCREW	77-01-209-B
49	COMBUSTION AIR LIMITER	77-01-488
50	BUBBLE BADGE (4" X 1.5") CAST BRASS INC FASTENERS	PRINT-PLAQUE-001
51	B1C FRONT FENDER 1.5MM THICK	87-01-550-34
52	FRONT RAIL	87-01-550-14
53	BACK TOP RAIL	87-01-550-16
53A	BUBBLE FLUE COLLAR SCREW	77-02-068
53B	BUBBLE 1 & CORNER STOVE FLUE COLLAR	303829-EF-B
53C	M6 A2 S/S HEX HD NUT	77-02-010-B
53D	Corner Oil Dry Baffle Plate	87-01-550-35



Rear Section

ID No.	Part Description	Part No.
54	B1C VALVE HEATSHIELD	87-01-550-28
55	B1C OUTER UPPER HEATSHIELD	87-01-550-29
56	M6 X 10 DOME HEAD STAINLESS ALLEN SCREW	77-01-210-B
57	SPACER REAR H/SHIELD (BRASS) 27MM LONG M6FM xM6FM	87-01-501SP1
58	B1C CENTRE FOR PRIMARY REAR HEATSHIELD	87-01-550-19
59	M6 X 10 S/S HEX HD SETCSREW	77-02-009-E
60	M6 X A2 STAINLESS STEEL FORM A FLAT WASHER	77-02-010-E
61	M8 X A2 STAINLESS STEEL FORM A FLAT WASHER	77-02-010-F
62	M8 X 10 HEX HD SET SCREWS	77-02-028-A
63	B1C TOP FRAME BRACKET	87-01-550-12C
64	M5 A2 S/S DOME NUT	77-01-210-K
65	M5 X 10 DOME HEAD STAINLESS ALLEN SCREW	77-01-210-A
66	M5 X A2 STAINLESS STEEL FORM A FLAT WASHER	77-02-010-K



Pot and oil valve

ID No.	Part Description	Part No.
17	CORNER BUBBLE AQUSTAT !!NO LONGER AVAILABLE PLEASE CALL!!	78-01-008C
18	M6 X 12MM A2 SKT BUTTON HEAD SCREWS FOR BURNER POT	77-01-210-J
19	M6 A2 S/S HEX HD NUT	77-02-010-B
20	M6 X A2 S/S FORM A FLAT WASHERS	77-02-010-E
21	CORNER OIL CATALYSER	78-01-173
22	CORNER OIL BURNER RING	78-01-176
23	DESCALER DEVICE TO SUIT ALL BURNERS	119216-B
24	LONG BUNDI TUBE FOR CORNER OIL POT	87-01-550BT
25	WASHERS FOR OIL CONTROL VALVE	77-02-061-A
26	SCREW FASTENERS FOR OIL CONTROL VALVE TO BRACKET	77-02-078
27	8MM X 8MM STRAIGHT COMPRESSION COUPLER BRASS	77-01-717
28	SHORT BUNDI TUBE FOR CORNER OIL POT	87-01-550SBT
29	OIL CONTROL VALVE OUTLET FITTING ¼ BSP X 8MM	77-01-707
30A	DRY OIL CONTROL VALVE	87-01-008DRY
30B	WET OIL CONTROL VALVE (FOR BOILER STOVE)	87-01-008WET
31	THERMOSTAT TRIP RESET ROD	87-01-501TRR
32	BUNDI 300MM LONG FOR OIL FLOW ROD	87-01-501BT2
33	OIL FLOW CONTROL SHAFT KNOB	RS185-1944
34	BLACK BALL KNOBS 16MM D X M4	RS686-008
35	TRIP CONTROL ROD USE ALU WELD WIRE	87-01-501TCR
36	WATER TEMPERATURE CONTROL ROD	87-01-501BT3
37	CORNER OIL 7KW POT	87-01-170A