

HARWORTH HEATING LTD TEL 01302742520

VERSION 1-12 OIL BURNER

BLUE & BLACK BOX	PART NO			
MAIN SPARES				
SIMEL MOTOR	77-01-001-AA			
DELTA PUMP (SINGLE PIPE)	77-01-365			
DELTA PUMP (TWO PIPE)	77-01-365-A			
SUNTEC PUMP	77-01-047			
PHOTO CELL & FLANGE	77-01-351			
DELTA COIL F84	77-01-085-B			
SUNTEC COIL	77-01-047-C			
SOLENOID COIL LEAD	77-01-085-C			
HT LEADS 2 OFF	77-01-336			
POWER LEAD	77-01-335-A			
HT TRANSFORMER	77-01-335-1			
CONTROLLER TOP (KEROSENE)	77-01-065			
CONTROLLER TOP (DIESEL)	77-01-065-D			
ELECTRODES (TWIN)	77-01-009			
PRE HEATER DIESEL	77-05-008			
FLAME TUBE	77-10-009			
NOZZLE HOLDER	77-01-340			
NOZZLE .04 X 60DEGS	77-01-016-H			
NOZZLE .05 X 60DEGS	77-01-016-G			
NOZZLE .060 X 60DEGS	77-01-016-D			
NOZZLE .065 X 60DEGS	77-01-016-C			
FLEXIHOSE 750MM LONG	77-01-017-F			

THE ABOVE DESCRIPTION ARE IN CURRENT USE & ARE AN ALTERNATIVE FOR PARTS
WE NO LONGER SUPPLY

THE PERSON DEALING WITH THE INQUIRY SHOULD VERIFY TH FOLLOWING
IF IN DOUBT SEEK ADVICE FROM RELEVANT PERSON

- 1 BURNER COLOUR
- 2 SERIAL NO
- 3 TYPE FUEL
- 4 TYPE FUEL PUMP
- 5 TYPE OF COOKER
- 6 TYPE HF TRANSFORMER
- 7 TYPE OF CONTROLLER
- 8 ELECTRODES

WHEN VIEWING THE SHEET IS FINISHED, SELECT LIST THEN CLOSE THE SHEET

--	--	--	--	--

HARWORTH HEATING LTD TEL 01302742520

T1-T6 & N1-N3 OIL BURNER				
-------------------------------------	--	--	--	--

BLUE & BLACK BOX	PART NO			
MAIN SPARES				
STEMSHIRE MOTOR	77-01-385			
NIPPON PUMP	77-01-087			
PHOTO CELL & FLANGE	77-01-351			
SOLENOID (E7L BRAHMA)	77-01-084			
HT LEADS 2 OFF	77-01-336			
POWER LEAD	77-01-335-A			
HT TRANSFORMER	77-01-335-1			
CONTROLLER TOP	77-01-065			
ELECTRODES (TWIN)	77-01-009			
FLAME TUBE	77-10-009			
NOZZLE HOLDER	77-01-340			
NOZZLE .04 X 60DEGS	77-01-016-H			
NOZZLE .05 X 60DEGS	77-01-016-G			
NOZZLE .060 X 60DEGS	77-01-016-D			
NOZZLE .065 X 60DEGS	77-01-016-C			
FLEXIHOSE 750MM LONG	77-01-0171F			

THE ABOVE DISCRPTION ARE IN CURRENT USE & ARE AN ALTERNATIVE FOR PARTS

WE NO LONGER SUPPLY

THE PERSON DEALING WITH THE INQUIRY SHOULD VERIFY THE FOLLOWING

IF IN DOUBT SEEK ADVICE FROM RELEVANT PERSON

1 BURNER COLOUR

2 SERIAL NO

3 TYPE FUEL

4 TYPE OF COOKER

5 TYPE HF TRANSFORMER

6 TYPE OF CONTROLLER

WHEN VIEWING THE SHEET IS FINISHED, SELECT LIST THEN CLOSE THE SHEET

HARWORTH HEATING LTD TEL 01302742520
MB1 OIL BURNER

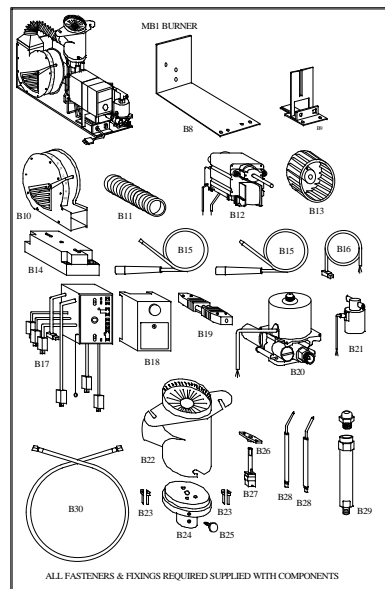
ITEM	MAIN SPARES	PART NO.
3	STEMSHIRE MOTOR	77-01-385
8	NIPPON PUMP	77-01-087
26	PHOTO CELL & FLANGE	77-01-351
6	SOLENOID COMPLETE	77-01-084
19	HT LEADS 2 OFF	77-01-336-B
18	HT TRANSFORMER	77-01-335-1
17	MULTI WIRE CONTROLLER BASE	77-01-865-1
16	CONTROLLER TOP	77-01-065
23	ELECTRODE (SINGLES)	77-01-441
22	FLAME TUBE	77-01-407B
28	NOZZLE HOLDER	77-01-439
5	HIGH PRESSURE HOSE 230MM LONG	77-01-460
29	NOZZLE .04 X 60DEGS	77-01-016-H
30	NOZZLE .05 X 60DEGS	77-01-016-G
31	NOZZLE .060 X 60DEGS	77-01-016-D
	NOZZLE .065 X 60DEGS	77-01-016-C
	FAN HOUSING (NO MOTOR)	77-01-413-A
	FAN HOUSING COMPLETE	77-01-413-B
1	FLEXIBLE AIR DUCT	77-01-432D
	FLEXHOSE 750MM LONG	77-01-017-F

THE ABOVE DISCRPTION ARE IN CURRENT USE & ARE AN ALTERNATIVE FOR PARTS
 WE NO LONGER SUPPLY

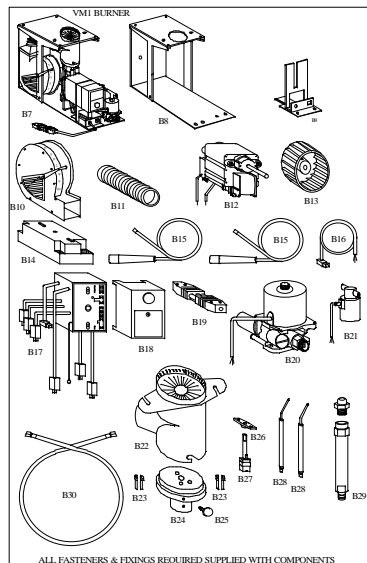
THE PERSON DEALING WITH THE INQUIRY SHOULD VERIFY THE FOLLOWING
 IF IN DOUBT SEEK ADVICE FROM RELEVANT PERSON

- 1 BURNER TYPE
- 2 SERIAL NO
- 3 TYPE FUEL
- 4 TYPE OF COOKER
- 5 TYPE HF TRANSFORMER
- 6 TYPE OF CONTROLLER

WHEN VIEWING THE SHEET IS FINISHED, SELECT LIST THEN CLOSE THE SHEET



ALL FASTENERS & FIXINGS REQUIRED SUPPLIED WITH COMPONENTS



ALL FASTENERS & FIXINGS REQUIRED SUPPLIED WITH COMPONENTS

FLEXAFLAME OIL BURNER

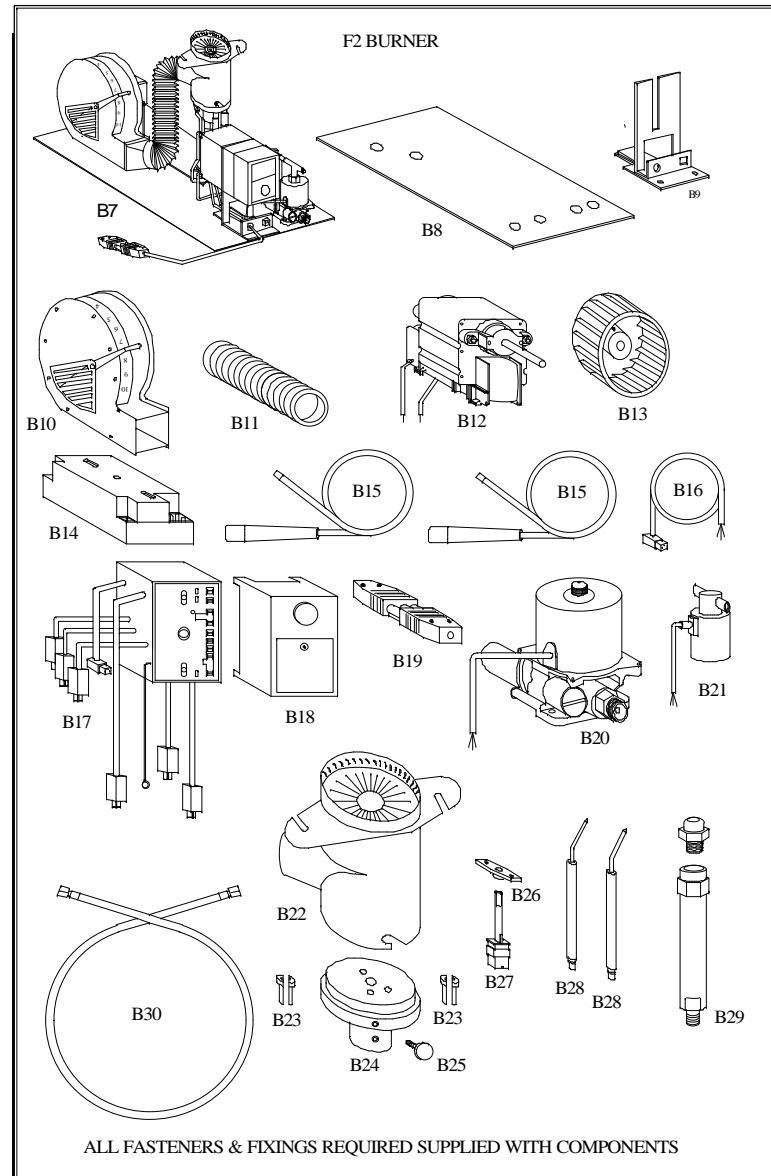
ITEM	MAIN SPARES	PART NO			
3	STEMSHIRE MOTOR	77-01-385			
8	NIPPON PUMP	77-01-087			
26	PHOTO CELL & FLANGE	77-01-351			
6	SOLENOID & COIL COMPLETE	77-01-085-C			
19	HT LEADS 2 OFF	77-01-336			
18	HT TRANSFORMER	77-01-335			
17	MULTI WIRE CONTROLLER BASE	77-01-065-1			
16	CONTROLLER TOP	77-01-065			
23	ELECTRODES (SINGLE)	77-01-009			
22	FLAME TUBE	77-01-407B			
28	NOZZLE HOLDER	77-01-340			
5	HIGH PRESSURE HOSE 230MM LONG	77-01-460			
29	NOZZLE .04 X 60DEGS	77-01-016-H			
30	NOZZLE .05 X 60DEGS	77-01-016-G			
31	NOZZLE .060 X 60DEGS	77-01-016-D			
	NOZZLE .065 X 60DEGS	77-01-016-C			
	FAN HOUSING (NO MOTOR)	77-01-413-A			
	FAN HOUSING COMPLETE	77-01-413-B			
1	FLEXIBLE AIR DUCT	77-01-432D			
	FLEXIHOSE 750MM LONG	77-01-017-F			

THE ABOVE DISCRPTION ARE IN CURRENT USE & ARE AN ALTERNATIVE FOR PARTS
WE NO LONGER SUPPLY

THE PERSON DEALING WITH THE INQUIRY SHOULD VERIFY THE FOLLOWING
IF IN DOUBT SEEK ADVICE FROM RELEVANT PERSON

- 1 BURNER (F2 BURNERS ARE UNIQUE TO THE TYPE OF APPLIANCE)
- 2 SERIAL NO
- 3 TYPE FUEL
- 4 TYPE OF COOKER
- 5 TYPE HF TRANSFORMER
- 6 TYPE OF CONTROLLER

WHEN VIEWING THE SHEET IS FINISHED, SELECT LIST THEN CLOSE THE SHEET



HARWORTH HEATING LTD TEL 01302 742520

GAS BURNER

GREEN BURNER	PART NO			
MAIN SPARES				
STEMSHIRE MOTOR	77-01-385			
GAS VAVLE (GOVENER & BYPASS)	80-01-012			
SOLENOID COIL & PLUG	80-01-012-A			
CONNECTER (TO SUITE ABOVE)	80-01-012-B			
ELECTRODE	80-01-021/B			
FLAME SENSOR ELECTRODE	80-01-021-A			
HT TRANSFORMER	80-01-005			
CONTROLLER BASE	77-01-066			
CONTROLLER TOP	80-01-007			
FLAME TUBE	80-01-053-A			
FLAME HEAD ASS	80-01-022-A			
DEFLECTER	80-01-022-C			
FLAME SPREADER 30MM DIA S/S	80-01-023-A			
PRESSURE SWITCH AIR PROVER	80-01-010-A			

THE ABOVE DISCRPTION ARE IN CURRENT USE & ARE AN ALTERNATIVE FOR PARTS
WE NO LONGER SUPPLY

THE PERSON DEALING WITH THE INQUIRY SHOULD VERIFY THE FOLLOWING
IF IN DOUBT SEEK ADVICE FROM RELEVANT PERSON

- 1 BURNER COLOUR
- 2 SERIAL NO
- 3 TYPE FUEL
- 4 TYPE OF COOKER
- 5 TYPE HF TRANSFORMER
- 6 TYPE OF CONTROLLER

WHEN VIEWING THE SHEET IS FINISHED, SELECT LIST THEN CLOSE THE SHEET

HARWORTH HEATING LTD TEL 01302742520

BOSKY 60 & 65 CONVERSION SPARES LIST

ITEM	APPLIANCE	PART NO
	BOSKY 60 & 65	92-05-030
1	BURNER	77-10-001-MB1
2	CLOSURE PLATE	87-18-030CP
3	BOARD KIT COMPLETE	87-19-030-1
4	BAFFLE BOX	87-01-030/1
5	BAFFLE BOX BOARD	87-04-030
6	CLOSURE PLATE BOARD	87-19-030-A
7	LOADING DOOR BOARD	87-19-030-C
8	BI POLE STAT ASS	77-01-007
9	3.0M KBB FIRE VALVE	77-07-004-C
10	LARGE CABLE GLAND	RS 392-056
11	SMALL CABLE GLAND	77-01-023
12	FLEXIHOSE 750MM LONG	77-01-017-F
13	NOZZLE 0.5 USG X 60 DEG	77-01-016-G

THE PERSON DEALING WITH THE ENQUIRY SHOULD VERIFY

- 1 THE TYPE OF BURNER (COLOUR, FLEXAFLAME, SERIAL NO,GAS OR OIL)
- 2 THE TYPE OF STAT ASS (BI POLE OR PIPE STATS)

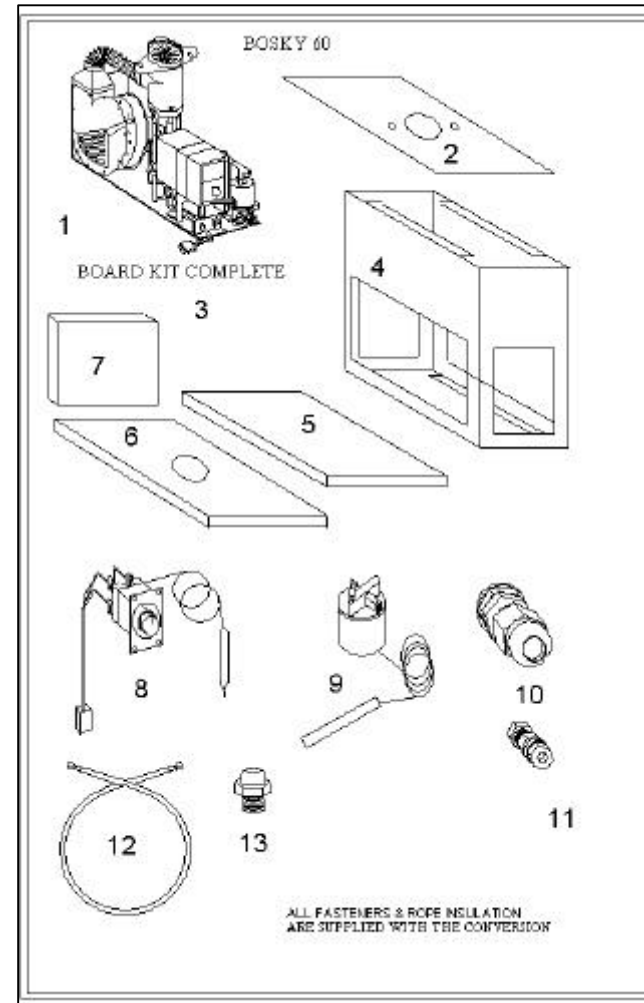
NOTE

ANY ITEM REQUIRED CAN BE USED ON ALL PREVIOUS VERSIONS OF CONVERSION KITS STAFF TO MAKE THE FOLLOWING MODIFICATIONS TO SUIT REQUIRED CONVERSION

FOLLOW THESE INSTRUCTIONS WHEN A BLUE, BLACK,OR GREEN BOX BURNER IS IN USE

- 1 CLOSURE PLATE REMOVE NUTS & BOLTS
- 2 CLOSURE BOARD FOR GAS CONVERSION REQUIRES 100mm DIA HOLE
- 3 ALL BOARDS MARK TRIM ON SITE
- 4 ROPE & WOOL IS REQUIRED

WHEN VIEWING THE SHEET IS FINISHED, SELECT LIST THEN CLOSE THE SHEET



ALL FASTENERS & ROPE INSULATION ARE SUPPLIED WITH THE CONVERSION

HARWORTH HEATING LTD TEL 01302 742520

BOSKY 90 & 95 CONVERSION SPARES LIST

ITEM	APPLIANCE	PART NO
	BOSKY 90 & 95	92-05-035
1	BURNER	77-10-001-MB1
2	CLOSURE PLATE	87-18-035CP
3	BAFFLE BOX	87-01-035-1
4	BOARD KIT COMPLETE	87-19-035-1
5	BAFFLE BOX BOARD	87-04-035
6	CLOSURE PLATE BOARD	87-19-035-A
7	LOADING DOOR BOARD	87-19-034-C
8	BI POLE STAT ASS	77-01-007
9	3.0M KBB FIRE VALVE	77-07-004-C
10	LARGE CABLE GLAND	RS 392-056
11	SMALL CABLE GLAND	77-01-023
12	FLEXIHOSE 750 LONG	77-01-017-F
13	NOZZLE 0.65 USG X 60 DEGS	77-01-016-D
14	BAFFLE BOX COMPLETE	87-01-035

THE PERSON DEALING WITH THE INQUIRY SHOULD VERIFY

- 1 THE TYPE OF BURNER (COLOUR, FLEXAFLAME, SERIAL NO,GAS OR OIL)
- 2 THE TYPE OF STAT ASS (BI POLE OR PIPE STATS)

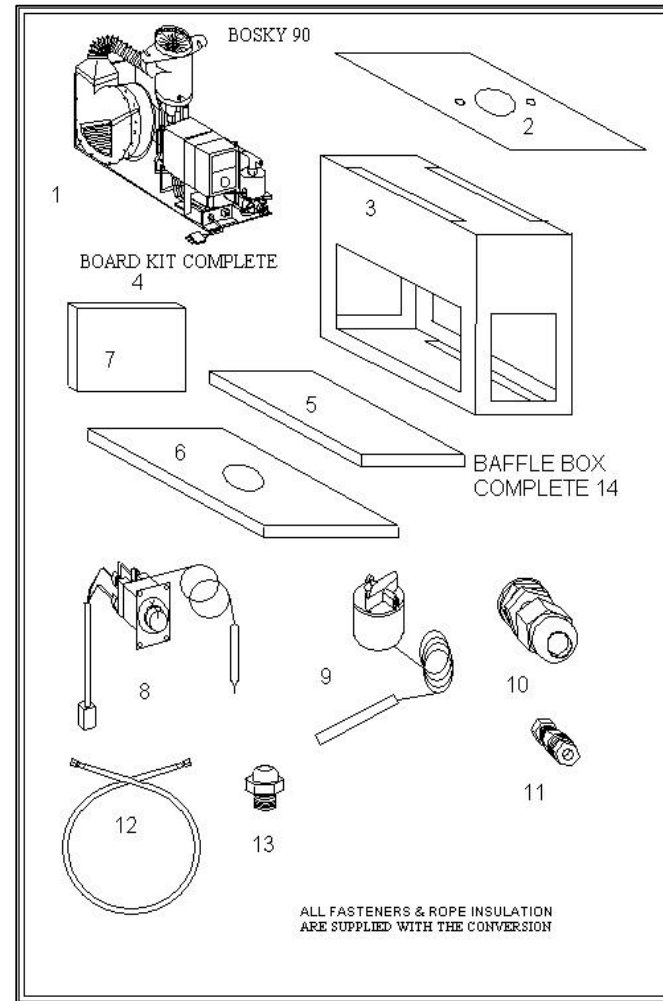
NOTE

ANY ITEM REQUIRED CAN BE USED ON ALL PREVIOUS VERSIONS OF CONVERSION KITS STAFF TO MAKE THE FOLLOWING MODIFICATIONS TO SUIT REQUIRED CONVERSION

FOLLOW THESE INSTRUCTIONS WHEN A BLUE, BLACK,OR GREEN BOX BURNER IS IN USE

- 1 CLOSURE PLATE REMOVE NUTS & BOLTS
- 2 CLOSURE BOARD FOR GAS CONVERSION REQUIRES 100mm DIA HOLE
- 3 ALL BOARDS MARK TRIM ON SITE
- 4 ROPE & WOOL IS REQUIRED

WHEN VIEWING THE SHEET IS FINISHED, SELECT LIST THEN CLOSE THE SHEET



HARWORTH HEATING LTD TEL 01302 742520

CASNOVA 14&20 CONVERSION SPARES

ITEM	APPLIANCE	PART No
	CASANOVA 14 & 20	92-05-015
1	BURNER	77-10-001-MB1
2	CLOSURE PLATE	87-18-015
3	BAFFLE BOX	87-01-015-1
4	BAFFLE BOX BOARD	87-04-015
5	BOARD KIT	87-19-015-1
6	CLOSURE PLATE BOARD 1	87-19-0151A
7	CLOSURE PLATE BOARD 2	87-19-015-C
8	FRONT BOARD	87-19-015-B
9	BI POLE STAT	77-01-007
10	3.0M KBB FIRE VALVE	77-07-004-C
11	LARGE CABLE GLAND	RS 392-056
12	SMALL CABLE GLAND	77-01-023
13	NOZZLE 0.5 USG X 60 DEGS	77-01-016-H
14	FLEXIHOSE 750MM LONG	77-01-017-F

THE PERSON DEALING WITH THE ENQUIRY SHOULD VERIFY

- | | | |
|---|----------------------|--|
| 1 | THE TYPE OF BURNER | (COLOUR, FLEXAFLAME, SERIAL NO,GAS OR OIL) |
| 2 | THE TYPE OF STAT ASS | (BI POLE OR PIPE STATS) |

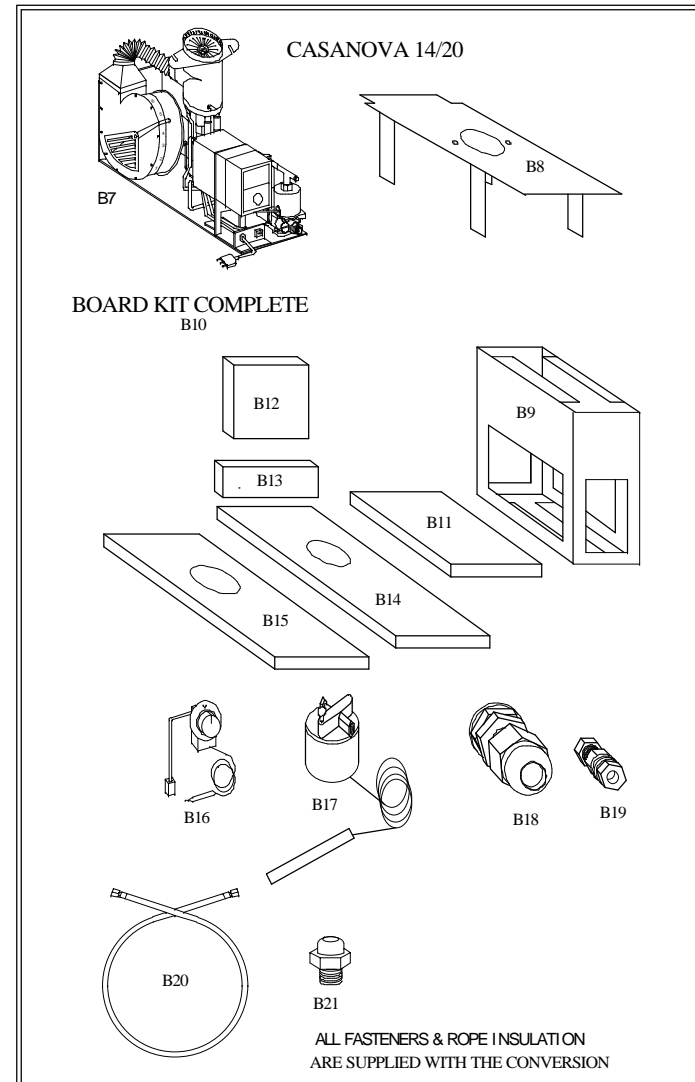
NOTE

ANY ITEM REQUIRED CAN BE USED ON ALL
PREVIOUS VERSIONS OF CONVERSION KITS
STAFF TO MAKE THE FOLLOWING MODIFICATIONS
TO SUITE REQUIRED CONVERSION

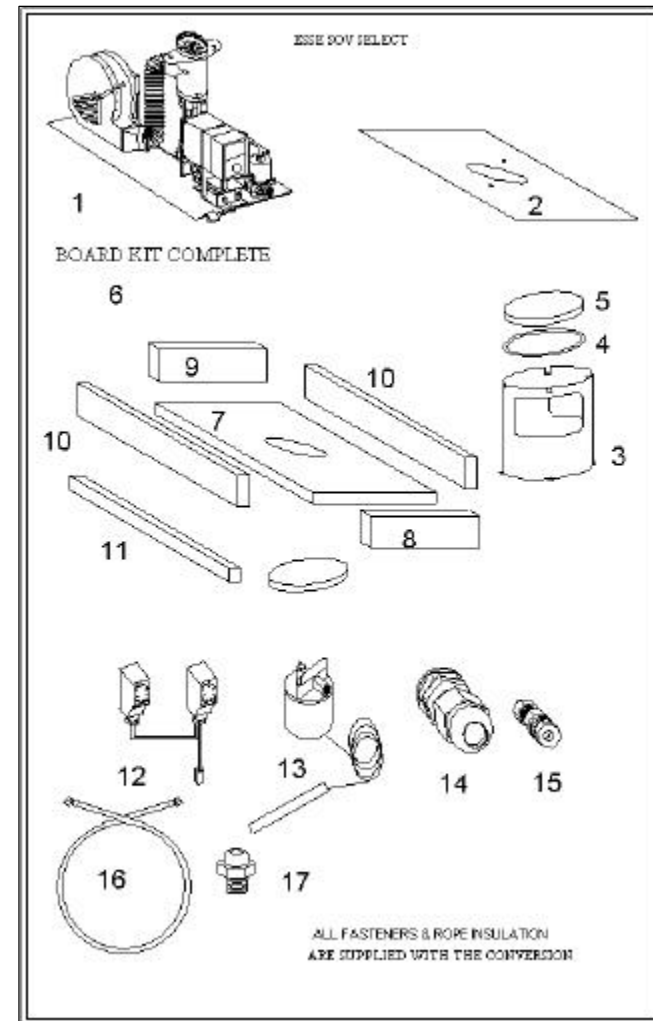
FOLLOW THESE INSTRUCTIONS WHEN A BLUE, BLACK,OR GREEN BOX BURNER IS IN USE

- | | |
|---|---|
| 1 | CLOSURE PLATE REMOVE NUTS & BOLTS |
| 2 | CLOSURE BOARD FOR GAS CONVERSION REQUIRES
100mm DIA HOLE |
| 3 | ALL BOARDS MARK TRIM ON SITE |

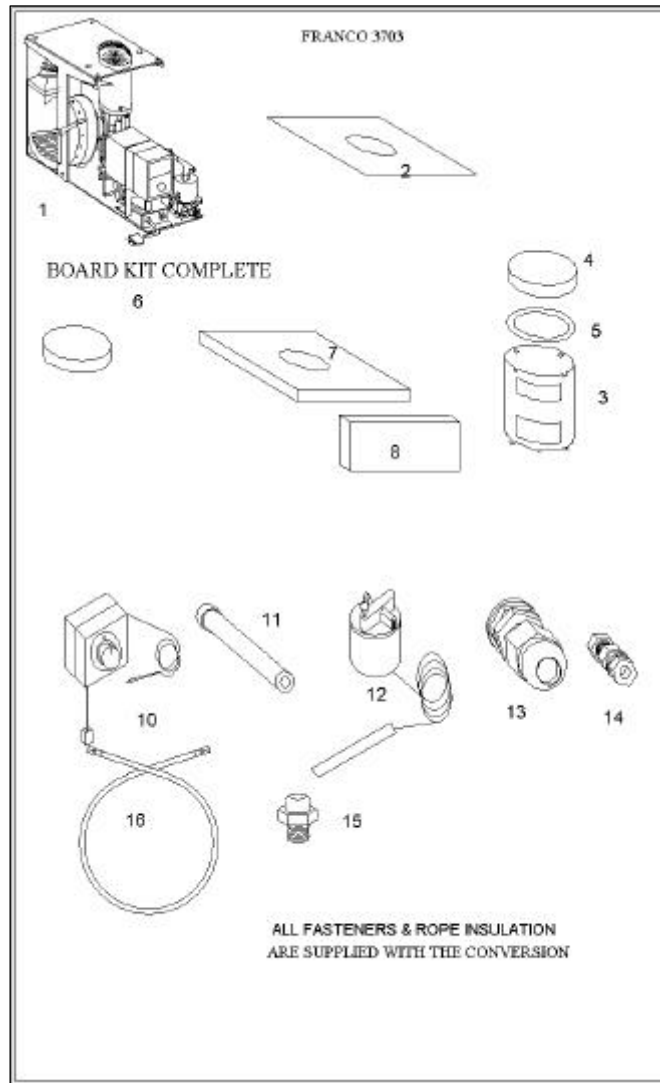
WHEN VIEWING THE SHEET IS FINISHED, SELECT LIST THEN CLOSE THE SHEET



HARWORTH HEATING LTD TEL 01302 742520		
ESSE SOVEREIGN SELECT CONVERSION SPARES		
ITEM	APPLIANCE	PART No
	ESSE SOVEREIGN SELECT	92-05-095
1	BURNER	77-10-095-F2
2	CLOSURE PLATE	87-18-095CP
3	BAFFLE BOX	87-01-010-2
4	BAFFLE BOARD SUPPORT RING	87-01-010-B1
5	BAFFLE BOX BOARD	87-04-010-A
6	BOARD KIT	87-19-095-1
7	CLOSURE PLATE BOARD	87-19-095C
8	FRONT BOARD	87-19-095B
9	BACK BOARD	87-19-095B
10	SIDE BOARDS	87-19-095A
10	SIDE BOARDS	87-19-095A
11	FILLIN BOARD	87-19-095E
12	PIPESTAT ASS	77-01-005-A
13	3.0M KBB FIRE VALVE	77-07-004-C
14	LARGE CABLE GLAND	RS 392-056
15	SMALL CABLE GLAND	77-01-023
16	FLEXIHOSE 750MM LONG	77-01-017-F
17	NOZZLE 0.4 USG X 60 DEGS	77-01-016-H
THE PERSON DEALING WITH THE ENQUIRY SHOULD VERIFY		
	1 THE TYPE OF BURNER (COLOUR, FLEXAFLAME, SERIAL NO,GAS OR OIL)	
	2 THE TYPE OF STAT ASS (BI POLE OR PIPE STATS)	
NOTE		
ANY ITEM REQUIRED CAN BE USED ON ALL PREVIOUS VERSIONS OF CONVERSION KITS		
STAFF TO MAKE THE FOLLOWING MODIFICATIONS TO SUITE REQUIRED CONVERSION		
FOLLOW THESE INSTRUCTIONS WHEN A BLUE, BLACK,OR GREEN BOX BURNER IS IN USE		
	1 CLOSURE PLATE REMOVE NUTS & BOLTS	
	2 CLOSURE BOARD FOR GAS CONVERSION REQUIRES 100mm DIA HOLE	
	3 ALL BOARDS MARK TRIM ON SITE	
	4 ROPE & WOOL IS REQUIRED	
WHEN VIEWING THE SHEET IS FINISHED, SELECT LIST THEN CLOSE THE SHEET		



HARWORTH HEATING LTD TEL 01302 742520		
FRANCO 703 CONVERSION SPARES		
ITEM	APPLIANCE	PART No
	FRANCO 703	92-09-050
1	BURNER	77-10-001-VM1
2	CLOSURE PLATE	87-18-050CP
3	SMALL TOWERING INFERNO	87-01-001-1
4	INFERNO BOX BOARD	87-04-600-I
5	TOP SUPPORT RING	87-01-001/BB
6	BOARD KIT	87-19-050-1
7	CLOSURE PLATE BOARD	87-19-050A
8	FRONT BOARD	87-19-050C
10	BOXED BI POLE STAT	77-01-007
11	PHIAL POCKET BUSH	77-01-200
12	TEDDINGTON KBB FIRE VALVE	77-07-004-C
13	LARGE CABLE GLAND	RS393-056
14	SMALL CABLE GLAND	77-01-023
15	NOZZLE 0.4 USG X 60 DEGS	77-01-016-H
16	FLEXIHOSE 750MM LONG	77-01-017-F
THE PERSON DEALING WITH THE ENQUIRY SHOULD VERIFY		
1	THE TYPE OF BURNER	(COLOUR, FLEXAFLAME, SERIAL NO,GAS OR OIL)
2	THE TYPE OF STAT ASS	(BI POLE OR PIPE STATS)
NOTE		
ANY ITEM REQUIRED CAN BE USED ON ALL PREVIOUS VERSIONS OF CONVERSION KITS		
STAFF TO MAKE THE FOLLOWING MODIFICATIONS TO SUITE REQUIRED CONVERSION		
FOLLOW THESE INSTRUCTIONS WHEN A BLUE, BLACK,OR GREEN BOX BURNER IS IN USE		
1	CLOSURE PLATE REMOVE NUTS & BOLTS	
2	CLOSURE BOARD FOR GAS CONVERSION REQUIRES 100mm DIA HOLE	
3	ALL BOARDS MARK TRIM ON SITE	
WHEN VIEWING THE SHEET IS FINISHED, SELECT LIST THEN CLOSE THE SHEET		



HARWORTH HEATING LTD TEL 01302 742520

FRANCO 705 CONVERSION SPARES

ITEM	APPLIANCE	PART No
	FRANCO 705	92-09-055
1	BURNER	77-10-001-VM1
2	CLOSURE PLATE	87-18-055CP
3	BAFFLE BOX	87-01-055-1
4	BOARD KIT	87-19-055-1
5	BAFFLE BOX TOP	87-04-055
6	CLOSURE PLATE BOARD	87-19-055A
7	FRONT BOARD	87-19-055B
8	L/LEAD BOXED BI POLE STAT	77-01-007-D
9	PHIAL POCKET BUSH	77-01-200
10	TEDDINGTON KBB FIRE VALVE	77-07-004-C
11	LARGE CABLE GLAND	RS393-056
12	SMALL CABLE GLAND	77-01-023
13	FLEXIHOSE 750MM LONG	77-01-017-F
14	NOZZLE 0.5 USG X 60 DEGS	77-01-016-G

THE PERSON DEALING WITH THE INQUIRY SHOULD VERIFY

- 1 THE TYPE OF BURNER (COLOUR, FLEXAFLAME, SERIAL NO,GAS OR OIL)
- 2 THE TYPE OF STAT ASS (BI POLE OR PIPE STATS)

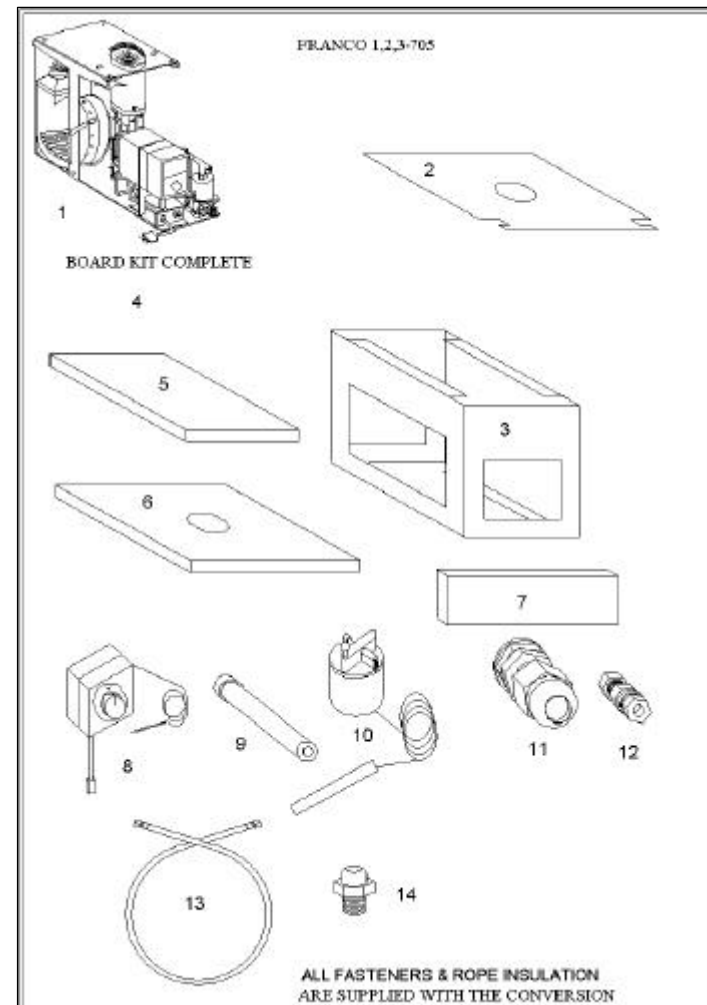
NOTE

ANY ITEM REQUIRED CAN BE USED ON ALL
PREVIOUS VERSIONS OF CONVERSION KITS
STAFF TO MAKE THE FOLLOWING MODIFICATIONS
TO SUITE REQUIRED CONVERSION

ALLOW THESE INSTRUCTIONS WHEN A BLUE, BLACK,OR GREEN BOX BURNER IS IN USE

- 1 CLOSURE PLATE REMOVE NUTS & BOLTS
- 2 CLOSURE BOARD FOR GAS CONVERSION REQUIRES
100mm DIA HOLE
- 3 ALL BOARDS MARK TRIM ON SITE

WHEN VIEWING THE SHEET IS FINISHED, SELECT LIST THEN CLOSE THE SHEET



HARWORTH HEATING LTD TEL 01302 742520

FRANCO 707 CONVERSION SPARES

ITEM	APPLIANCE	PART No
	FRANCO 707	92-09-060
1	BURNER	77-10-001-VM1
2	CLOSURE PLATE	87-18-060CP
3	BAFFLE BOX	87-01-060-1
4	BOARD KIT	87-19-060-1
5	BAFFLE BOX TOP	87-04-060
6	CLOSURE PLATE BOARD	87-19-060A
7	FRONT BOARD	87-19-060B
8	L/LEAD BOXED BI POLE STAT	77-01-007-D
9	PHIAL POKKRT BUSH	77-01-200
10	TEDDINGTON KBB FIRE VALVE	77-07-056
11	LARGE CABLE GLAND	RS393-056
12	SMALL CABLE GLAND	77-01-023
13	FLEXIHOSE 750MM LONG	77-01-017-F
14	NOZZLE 0.65 USG X 60 DEGS	77-01-016-D

THE PERSON DEALING WITH THE INQUIRY SHOULD VERIFY

- 1 THE TYPE OF BURNER (COLOUR, FLEXAFLAME, SERIEL No,GAS OR OIL)
- 2 THE TYPE OF STAT ASS (BI POLE OR PIPE STATS)

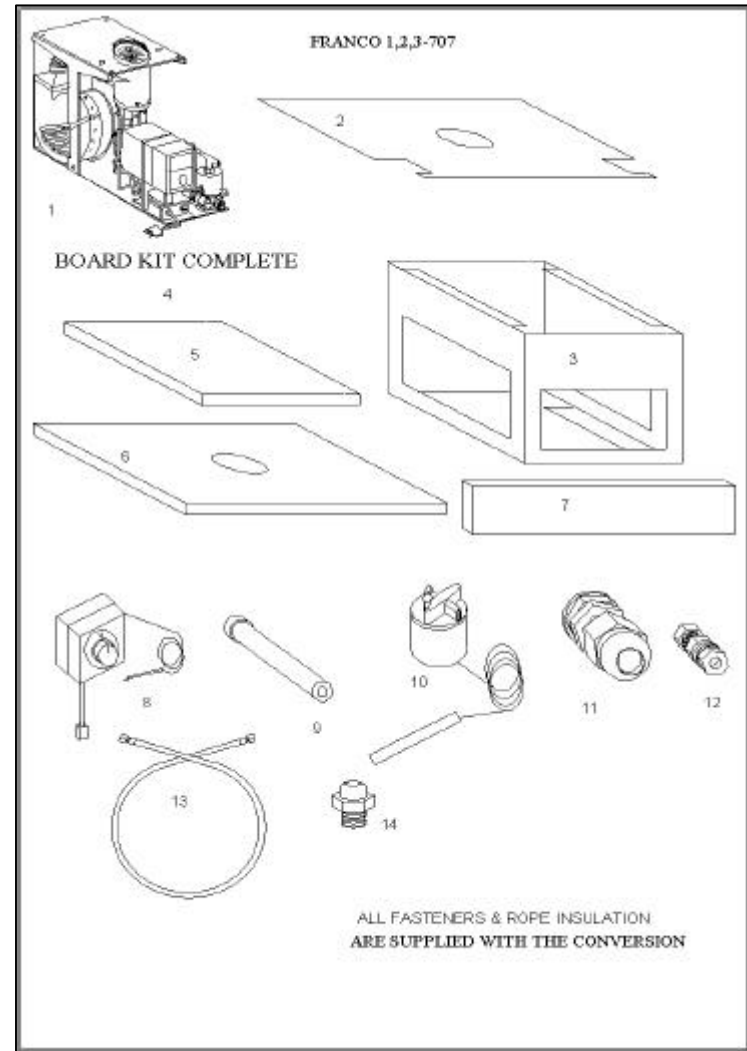
NOTE

ANY ITEM REQUIRED CAN BE USED ON ALL PREVIOUS VERSIONS OF CONVERSION KITS STAFF TO MAKE THE FOLLOWING MODIFICATIONS TO SUITE REQUIRED CONVERSION

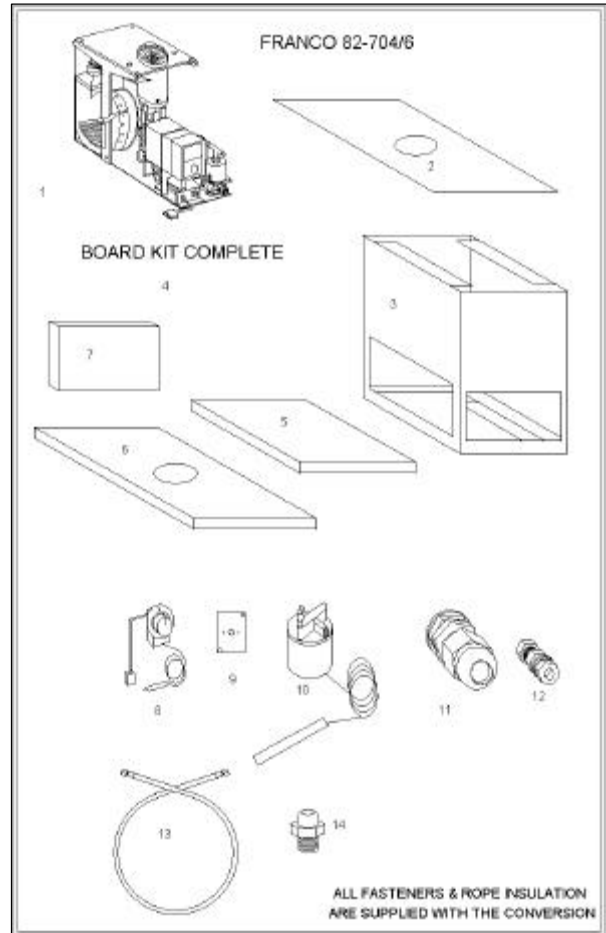
FOLLOW THESE INSTRUCTIONS WHEN A BLUE, BLACK,OR GREEN BOX BURNER IS IN USE

- 1 CLOSURE PLATE REMOVE NUTS & BOLTS
- 2 CLOSURE BOARD FOR GAS CONVERSION REQUIRES 100mm DIA HOLE
- 3 ALL BOARDS MARK TRIM ON SITE
- 4 ROPE & WOOL IS REQUIRED

WHEN VIEWING THE SHEET IS FINISHED, SELECT LIST THEN CLOSE THE SHEET



FRANCO 704 & 706 CONVERSION SPARES		
ITEM	APPLIANCE	PART No
	FRANCO 704 & 706	92-09-045
1	BURNER	77-10-001-VM1
2	CLOSURE PLATE	87-18-045CP
3	BAFFLE BOX	87-01-040-1
4	BOARD KIT	87-19-040-1
5	BAFFLE BOX BOARD	87-04-040
6	CLOSURE PLATE BOARD	87-19-040A
7	FRONT BOARD	87-19-040C
8	BI POLE STAT	77-01-007
9	STAT MOUNTING BRACKET	87-02-035-C
10	TEDDINGTON KBB FIRE VALVE	77-07-056
11	LARGE CABLE GLAND	RS393-056
12	SMALL CABLE GLAND	77-01-023
13	FLEXIHOSE 750MM LONG	77-01-017-F
14	NOZZLE 0.5 USG X 60 DEGS	77-01-016-G
THE PERSON DEALING WITH THE INQUIRY SHOULD VERIFY		
1	THE TYPE OF BURNER (COLOUR, FLEXAFLAME, SERIAL NO,GAS OR OIL)	
2	THE TYPE OF STAT ASS (BI POLE OR PIPE STATS)	
	NOTE	
	ANY ITEM REQUIRED CAN BE USED ON ALL	
	PREVIOUS VERSIONS OF CONVERSION KITS	
	STAFF TO MAKE THE FOLLOWING MODIFICATIONS	
	TO SUITE REQUIRED CONVERSION	
FOLLOW THESE INSTRUCTIONS WHEN A BLUE, BLACK,OR GREEN BOX BURNER IS IN USE		
1	CLOSURE PLATE REMOVE NUTS & BOLTS	
2	CLOSURE BOARD FOR GAS CONVERSION REQUIRES	
	100mm DIA HOLE	
3	ALL BOARDS MARK TRIM ON SITE	
WHEN VIEWING THE SHEET IS FINISHED, SELECT LIST THEN CLOSE THE SHEET		



HARWORTH HEATING LTD TEL 01302742520

FRANCO 904&906 CONVERSION SPARES

ITEM	APPLIANCE FRANCO 904 & 906	PART No 92-09-040
1	BURNER	77-10-001-VM1
2	CLOSURE PLATE	87-18-040
3	BAFFLE BOX	87-01-040-1
4	BOARD KIT	87-19-040-1
5	BAFFLE BOX BOARD	87-04-040
6	FRONT BOARD	87-19-040B
7	CLOSURE PLATE BOARD	87-19-040A
8	BI POLE STAT	77-01-007
9	STAT MOUNTING BRACKET	87-02-035-C
10	TEDDINGTON KBB FIRE VALVE	77-07-056
11	LARGE CABLE GLAND	RS393-056
12	SMALL CABLE GLAND	77-01-023
13	FLEXIHOSE 750MM LONG	77-01-017-F
14	NOZZLE 0.5 USG X 60 DEGS	77-01-016-G

THE PERSON DEALING WITH THE INQUIRY SHOULD VERIFY

- 1 THE TYPE OF BURNER (COLOUR, FLEXAFLAME, SERIAL NO,GAS OR OIL)
- 2 THE TYPE OF STAT ASS (BI POLE OR PIPE STATS)

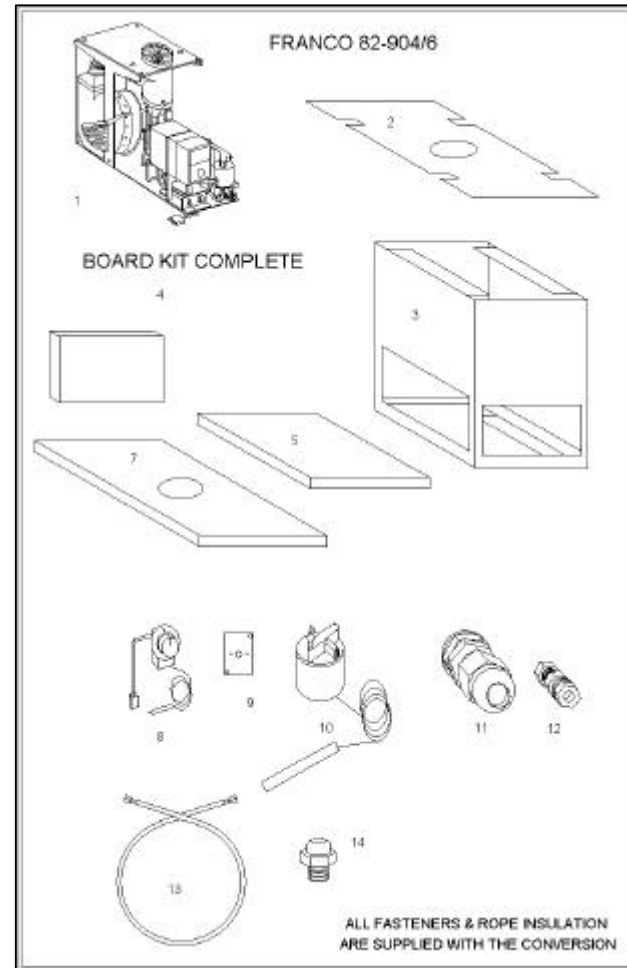
NOTE

ANY ITEM REQUIRED CAN BE USED ON ALL
PREVIOUS VERSIONS OF CONVERSION KITS
STAFF TO MAKE THE FOLLOWING MODIFICATIONS
TO SUITE REQUIRED CONVERSION

FOLLOW THESE INSTRUCTIONS WHEN A BLUE, BLACK,OR GREEN BOX BURNER IS IN USE

- 1 CLOSURE PLATE REMOVE NUTS & BOLTS
- 2 CLOSURE BOARD FOR GAS CONVERSION REQUIRES
100mm DIA HOLE
- 3 ALL BOARDS MARK TRIM ON SITE

WHEN VIEWING THE SHEET IS FINISHED, SELECT LIST THEN CLOSE THE SHEET



HARWORTH HEATING LTD TEL 01302 742520

RAYBURN MF CONVERSION SPARES

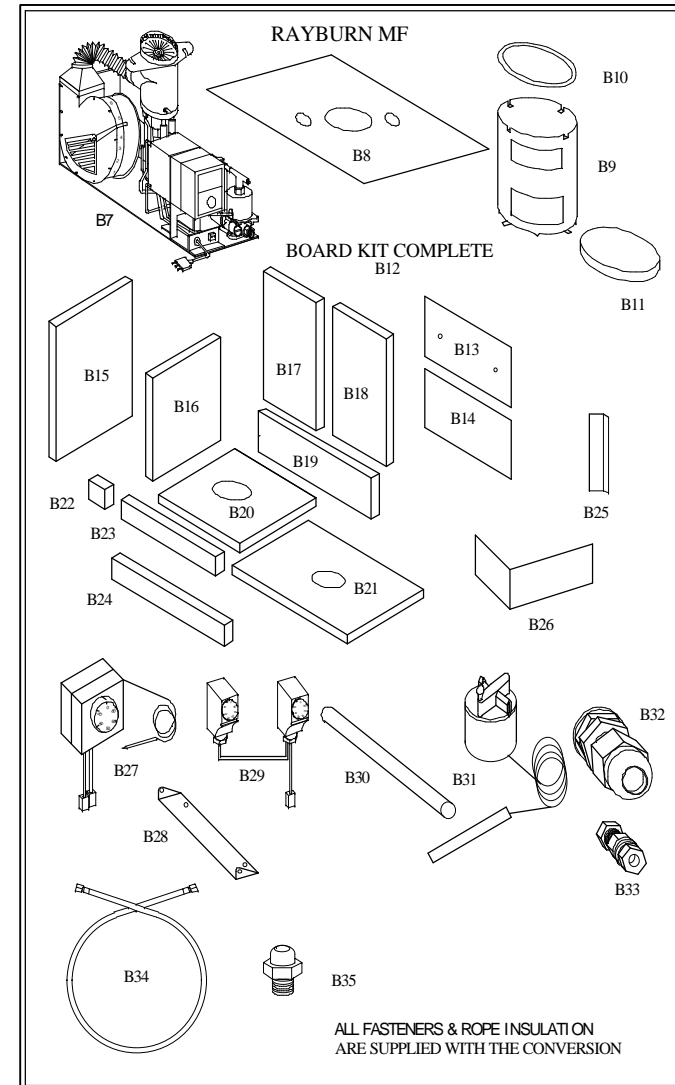
ITEM	APPLIANCE RAYBURN MF	PART No		
1	BURNER	77-10-001-MB1		
2	CLOSURE PLATE	87-18-001CP		
3	TOWING INFERNO	87-01-001-C		
4	TOWING INFERNO RING	87-01-001-BB		
5	TOWING INFERNO BOARD TOP	87-04-600-I		
6	BOARD KIT	87-19-001-1		
7	DOOR COVER PLATE	87-17-100D		
8	DOORWAY COVER PLATE	87-17-100DW		
9	FIRST FRONT BOARD	87-19-100-B		
10	SECOND FRONT BOARD	87-19-1009-A		
11	ASHPIT OVENSIDE BOARD	87-19-100-C		
13	ASHPIT OVENSIDE BOARD	87-19-100-D		
14	OVEN SIDE BOARD	87-19-100-		
15	SECOND CLOSURE PLATE BOARD	87-19-100-E		
16	FIRST CLOSURE PLATE BOARD	87-19-100-F		
17	OPPOSITE OVEN SIDE BOARD	87-19-100-		
18	OPPOSITE OVEN SIDE BOARD	87-19-100-		
19	OPPOSITE OVEN SIDE BOARD	87-19-100-		
20	TRIM ANGLE	87-17-100TP		
21	OVEN BAFFLE	87-01-001-OB		
22	BOXED OVEN STAT ASS	77-01-005-F		
23	OVEN STAT PHIAL BRACKET	87-17-100TB		
24	PIPE STAT ASS	77-01-005-A		
25	OVEN STAT GUIDE TUBE			
26	TEDEDINGTON KBB FIRE VALVE	77-07-004-C		
27	LARGE CABLE GLAND	RS392-056		
28	SMALL CABLE GLAND	77-01-023		
29	FLEXIHOSE 750MM	77-01-017-F		
30	NOZZLE 0.4 USG X 60 DEG	77-01-016-H		

THE PERSON DEALING WITH THE INQUIRY SHOULD VERIFY

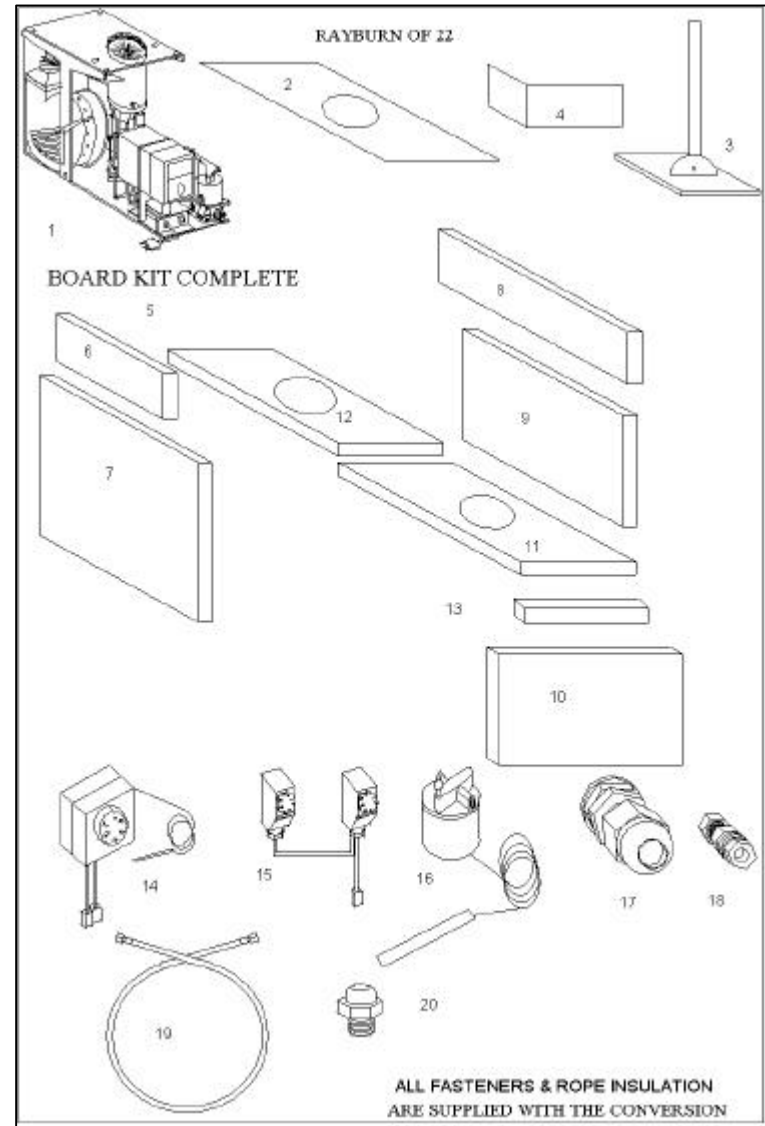
- 1 THE TYPE OF BURNER (COLOUR, FLEXAFLAME, SERIAL NO,GAS OR OIL)
- 2 THE TYPE OF STAT ASS (BI POLE OR PIPE STATS)

NOTE

ANY ITEM REQUIRED CAN BE USED ON ALL PREVIOUS VERSIONS OF CONVERSION KITS STAFF TO MAKE THE FOLLOWING MODIFICATIONS TO SUITE REQUIRED CONVERSION



HARWORTH HEATING LTD TEL 01302 742520		
RAYBURN OF22 CONVERSION SPARES		
ITEM	APPLIANCE	PART No
	RAYBURN OF22	92-09-135
1	BURNER	77-10-001-VM1
2	CLOSURE PLATE	87-18-135CP
3	TARGET BAFFLE	87-11-145
4	OVEN BAFFLE	87-01-001-OB
5	BOARD KIT	87-19-135-1
6	SIDE BOARD	87-19-135A
7	SIDE BOARD	87-19-135B
8	OPPOSITE OVEN SIDES	87-19-135C
9	OPPOSITE OVEN SIDES	87-19-135D
10	FRONT BOARD	87-19-135E
11	CLOSURE PLATE BOARD 2	87-19-135F
12	CLOSURE PLATE BOARD 1	87-19-135G
13	FILLIN BOARD	87-19-135I
14	BOXED OVEN STAT	77-01-005-F
15	PIPE STAT ASSEMBLY	77-01-005-A
16	TEDDINGTON KBB FIRE VALVE	77-07-004-C
17	LARGE CABLE GLAND	RS392-056
18	SMALL CABLE GLAND	77-01-023
19	FEXIHOSE 750MM LONG	77-01-017-F
20	NOZZLE 0.4 USG X 60 DEG	77-01-01-H
THE PERSON DEALING WITH THE INQUIRY SHOULD VERIFY		
	1 THE TYPE OF BURNER (COLOUR, FLEXAFLAME, SERIAL NO,GAS OR OIL)	
	2 THE TYPE OF STAT ASS (BI POLE OR PIPE STATS)	
NOTE		
ANY ITEM REQUIRED CAN BE USED ON ALL		
PREVIOUS VERSIONS OF CONVERSION KITS		
STAFF TO MAKE THE FOLLOWING MODIFICATIONS		
TO SUITE REQUIRED CONVERSION		
FOLLOW THESE INSTRUCTIONS WHEN A BLUE, BLACK,OR GREEN BOX BURNER IS IN USE		
	1 CLOSURE PLATE REMOVE NUTS & BOLTS	
	2 CLOSURE BOARD FOR GAS CONVERSION REQUIRES 100mm DIA HOLE	
	3 ALL BOARDS MARK TRIM ON SITE	
	4 ROPE & WOOL IS REQUIRED	
WHEN VIEWING THE SHEET IS FINISHED, SELECT LIST THEN CLOSE THE SHEET		



HARWORTH HEATING LTD TEL 01302 742520

RAYBURN RANGER CONVERSION SPARES

ITEM	APPLIANCE	PART No
	RAYBURN RANGER	92-05-145
1	BURNER	77-10-001-MB1
2	CLOSURE PLATE	87-18-145CP
3	TARGET BAFFLE	87-11-145
4	SUPPORT ANGLES (2 OFF)	87-18-145-B
5	TOP BAFFLE	87-17-145-TB
6	SS CHANNEL SUPPORT	87-17-145D
7	BOARD KIT COMPLETE	87-19-145-1
8	CLOSURE PLATE BOARD	87-19-145-A
9	PLUG	87-19-145-D
10	DIVIDING BOARD	87-19-145-B
11	FRONT COVER BOARD	87-19-145-C
12	BI POLE STAT	77-01-007
13	TEDDINGTON FIRE VAVLE 3M	77-07-004-C
14	LARGE CABLE GLAND	RS392-056
15	SMALL CABLE GLAND	77-01-023
16	FLEXIHOSE 750MM LONG	77-01-017-F
17	NOZZLE 0.4 USG X 60	77-01-016-H

THE PERSON DEALING WITH THE INQUIRY SHOULD VERIFY

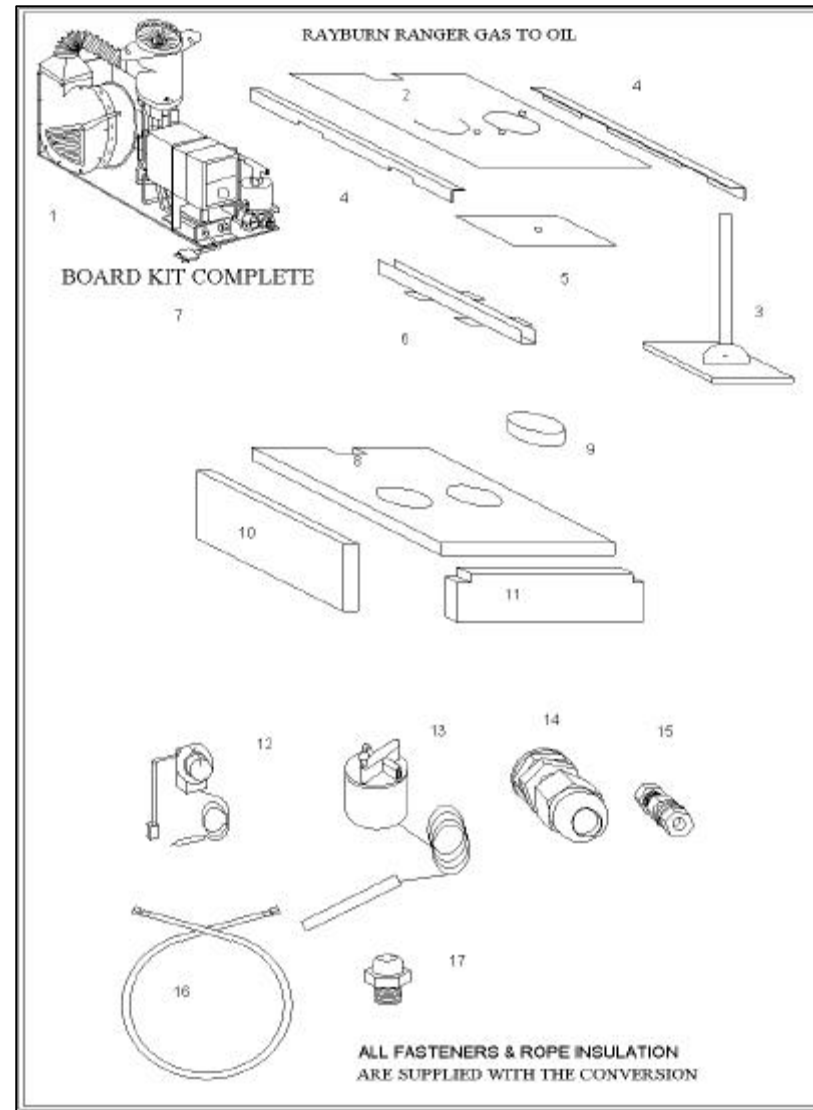
1 THE TYPE OF BURNER (COLOUR, FLEXAFLAME, SERIAL NO,GAS OR OIL)

2 THE TYPE OF STAT ASS (BI POLE OR PIPE STATS)

NOTE

IF THE BURNER IS BLUE,BLACK OR GREEN THE KIT SHOULD BE UPGRADED

WHEN VIEWING THE SHEET IS FINISHED, SELECT LIST THEN CLOSE THE SHEET



HARWORTH HEATING LTD TEL 01302 742520

RAYBURN ROYAL CONVERSION SPARES

ITEM	APPLIANCE	PART No		
	RAYBURN ROYAL	92-05-100		
1	BURNER	77-01-001-MB1		
2	CLOSURE PLATE (WITH SCREWS)	87-18-100CP		
3	TOWING INFERNO	87-01-001-B		
4	TOWING INFERNO RING	87-01-001-BB		
5	TOWING INFERNO BOARD TOP	87-04-600-I		
6	BOARD KIT	87-19-100		
7	FRONT BOARD 1	87-19-100-2		
8	FRONT BOARD 2	87-19-100-1		
9	ASHPIT BOARD RIGHT	87-19-100-C		
10	ASHPIT BOARD LEFT	87-19-100-D		
11	CLOSURE PLATE BOARD 2 (BIG HOLE)	87-19-100-3		
12	CLOSURE PLATE BOARD 1 (SMALL HOLE)	87-19-100-5		
13	OVEN SIDE CLOSURE BOARD	87-19-100-H		
14	OPPOSITE OVEN SIDE	87-19-100-J		
15	OPPOSITE OVEN SIDE (NOT SHOWN SAME AS15)	87-19-100-K		
16	DOOR COVER PLATE	87-17-100D		
17	FRONT COVER PLATE	87-17-100DW		
18	OVEN BAFFLE	87-17-001-OB		
19	TRIM ANGLE	87-17-100TP		
20	BOXED OVEN STAT ASS	77-01-005-F		
21	PIPE STAT ASS	77-01-005-A		
22	TEDDINGTON KBB FIRE VALVE	77-07-004-C		
23	LARGE CABLE GLAND	RS392-056		
24	SMALL CABLE GLAND	77-01-023		
25	OVEN STAT PHIAL BRACKET	87-17-100TB		
26	OVEN STAT GUIDE TUBE			
27	NOZZLE 0.4 USG X 60 DEG	77-01-016-H		
28	FLEXIHOSE 750MM LONG	77-01-017-F		

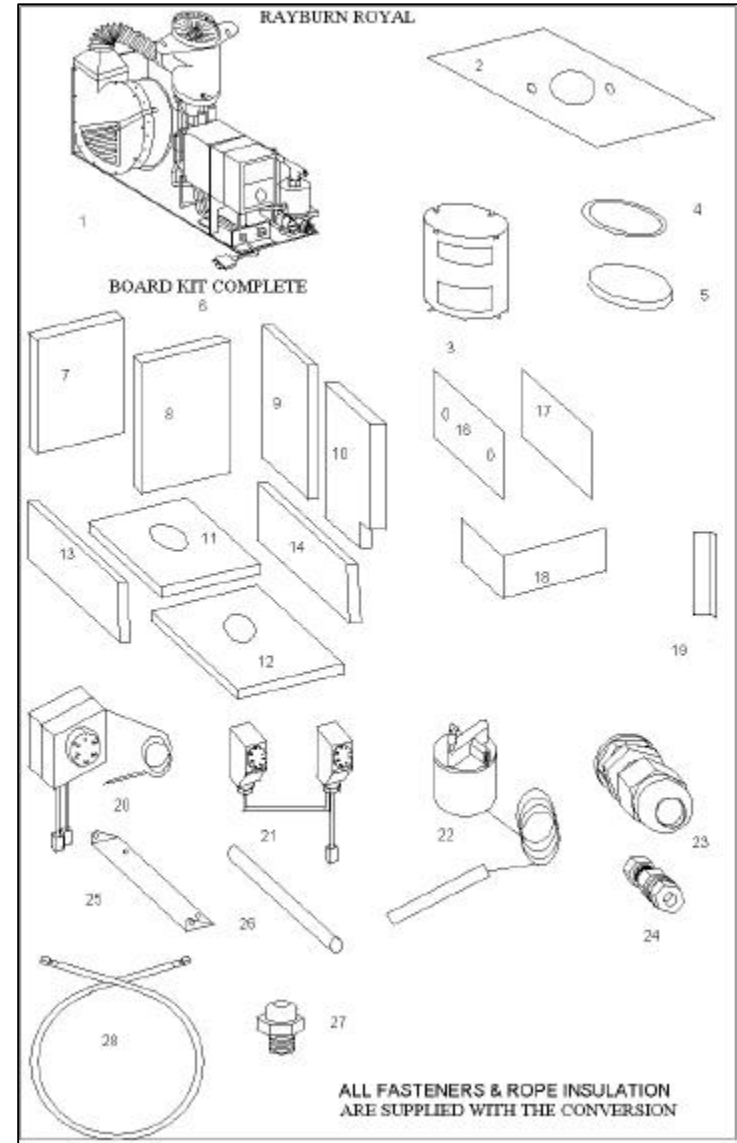
THE PERSON DEALING WITH THE INQUIRY SHOULD VERIFY

1 THE TYPE OF BURNER (COLOUR, FLEXAFLAME, SERIAL NO,GAS OR OIL)

2 THE TYPE OF STAT ASS (BI POLE OR PIPE STATS)

NOTE

ANY ITEM REQUIRED CAN BE USED ON ALL PREVIOUS VERSIONS OF CONVERSION KITS STAFF TO MAKE THE FOLLOWING MODIFICATIONS TO SUITE REQUIRED CONVERSION



HARWORTH HEATING LTD

TEL 01302 742520

RAYBURN SUPREME / NOUVELLE CONVERSION SPARES

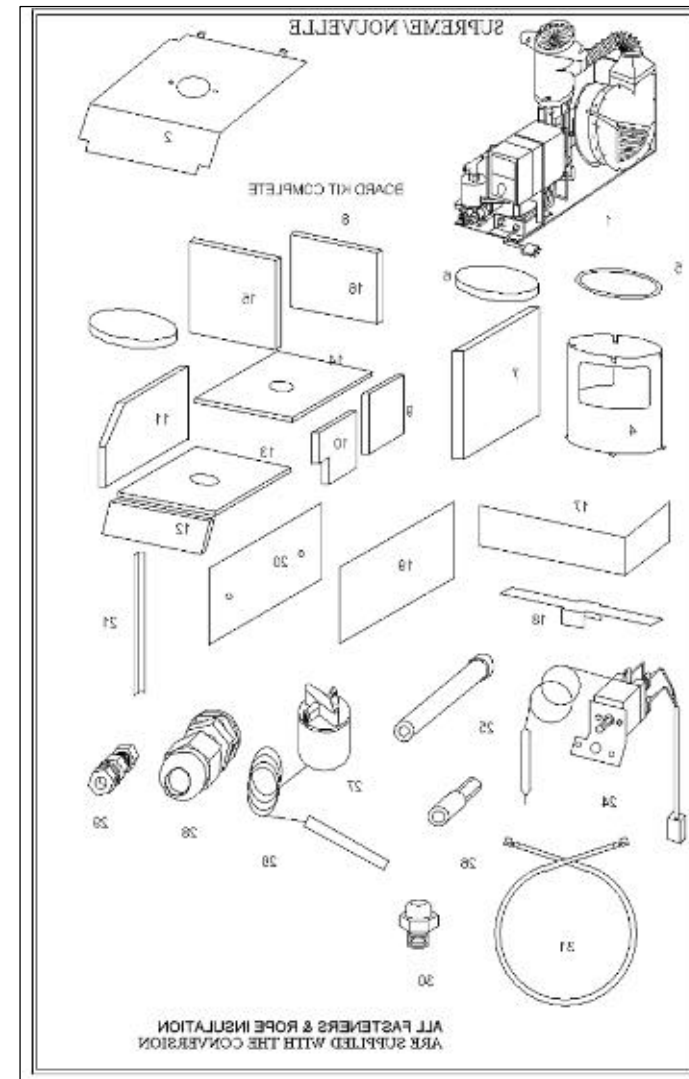
ITEM	APPLIANCE	PART NO
	RAYBURN SUPREME / NOUVELLE	92-05-010
1	BURNER	77-10-001/MB1
2	CLOSURE PLATE	87-18-010CD-V2
3,=4,5,6	BAFFLE BOX COMPLETE ASSEMBLY	87-01-010-3
4,5	BAFFLE BOX ONLY (INCLUDES RING)	87-01-010-2
5	BAFFLE BOX TOP RING	87-01-010-B1
6	BAFFLE BOX BOARD (RND)	87-04-010-A
7	BAFFLE BOX BOARD (SQR)	87-04-010-B
8	BOARD KIT	87-19-010-1
9	OVEN SIDE BOARD	87-19-010-A
10	OVEN SIDE BOARD	87-19-010-B
11	DROOP NOSE BOARD	87-19-010-C
12	OPPOSITE OVEN SIDE BOARD	87-19-010-D
13	CLOSURE BOARD 2 (HOLE 86MM)	87-19-01-F
14	CLOSURE BOARD 1 (HOLE 77MM)	87-19-010-G
15	FRONT BOARD 1	87-19-010-H
16	FRONT BOARD 2	87-19-010-I
17	BOILER BAFFLE	87-01-010-BB
18	OVEN BAFFLE	87-01-010-OB
19	RAY SUPREME COVER PLATE	87-17-010FHD
20	RAY SUPREME COVER PLATE	87-17-010DW
21	TRIM ANGLE PLATE	87-17-010TP
22	COTTER PIN (NOT SHOWN)	77-03-025
23	WASHER (NOT SHOWN)	77-01-056
24	BI POLE STAT	77-01-007
25	BUSH	77-01-201
26	FLEXI DRIVE ADAPTOR BUSH	87-01-010FDB
27	TEDDINGTON KBB FIRE VALVE	77-07-004-C
28	LARGE CABLE GLAND	RS392-056
29	SMALL CABLE GLAND	77-01-023
30	NOZZLE 0.4 USG X 60 DEGS	77-01-016-H
31	FLEXIHOSE 750MM LONG	77-01-017-F

THE PERSON DEALING WITH THE INQUIRY SHOULD VERIFY

- 1 THE TYPE OF BURNER (COLOUR, FLEXAFLAME, SERIAL NO,GAS OR OIL)
- 2 THE TYPE OF STAT ASS (BI POLE OR PIPE STATS)
- 3 THE TYPE OF BAFFLE ASS (ROUND OR SQAURE)

NOTE

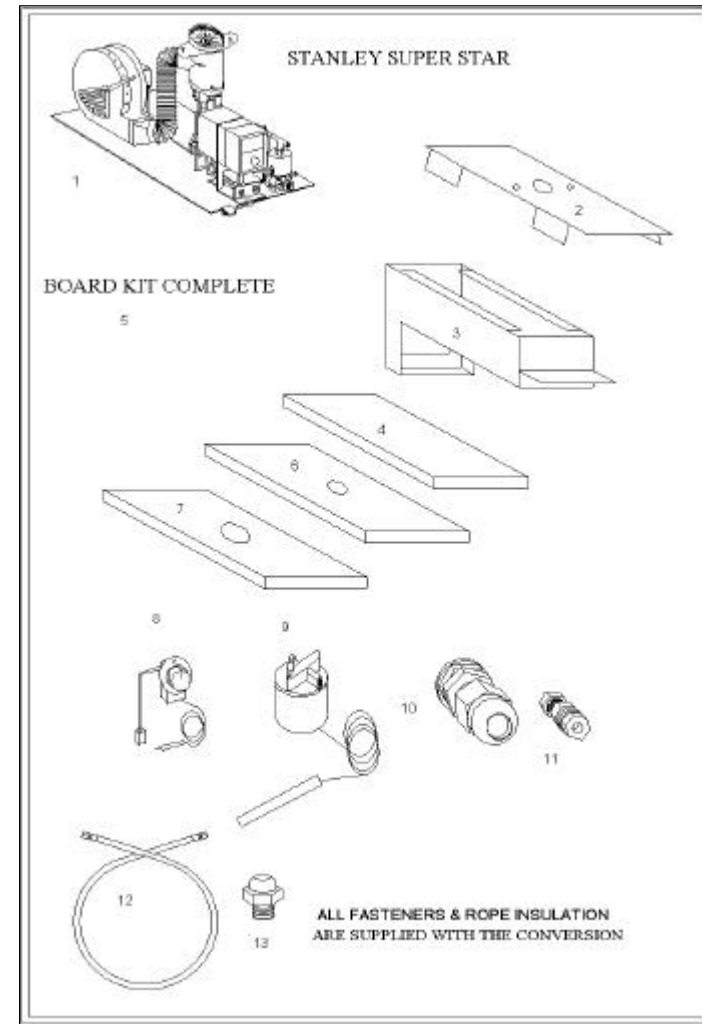
ANY ITEM REQUIRED CAN BE USED ON ALL
PREVIOUS VERSIONS OF CONVERSION KITS



HARWORTH HEATING LTD 01302 742520

STANLEY SUPER STAR CONVERSION SPARES

ITEM	APPLIANCE	PART No
	STANLEY SUPER STAR	92-05-090
1	BURNER	77-10-090-F2
2	CLOSURE PLATE	87-18-090CD-V2
3	BAFFLE BOX	87-01-090
4	BAFFLE BOX BOARD	87-04-090
5	BOARD KIT	87-19-090-1
6	CLOSURE PLATE BOARD 1 (SMALL HOLE)	87-19-090A
7	CLOSURE PLATE BOARD 2 (LARGE HOLE)	87-19-090-C
8	BI POLE STAT	77-01-007-B
9	TEDDINGTON KBB FIRE VALVE	77-07-056
10	LARGE CABLE GLAND	RS392-056
11	SMALL CABLE GLAND	77-01-023
12	FLEXIHOSE 750MM LONG	77-01-017-F
13	NOZZLE 0.5 USG X 60 DEGS	77-01-016-H
THE PERSON DEALING WITH THE INQUIRY SHOULD VERIFY		
1	THE TYPE OF BURNER (COLOUR, FLEXAFLAME, SERIAL NO,GAS OR OIL)	
2	THE TYPE OF STAT ASS (BI POLE OR PIPE STATS)	
NOTE		
ANY ITEM REQUIRED CAN BE USED ON ALL PREVIOUS VERSIONS OF CONVERSION KITS		
STAFF TO MAKE THE FOLLOWING MODIFICATIONS TO SUITE REQUIRED CONVERSION		
1	CLOSURE PLATE REMOVE NUTS & BOLTS	
2	CLOSURE BOARD FOR GAS CONVERSION REQUIRES 100mm DIA HOLE	
3	ALL BOARDS MARK TRIM ON SITE	
FOLLOW THESE INSTRUCTIONS WHEN A BLUE, BLACK, OR GREEN BOX BURNER IS IN USE		
WHEN VIEWING THE SHEET IS FINISHED, SELECT LIST THEN CLOSE THE SHEET		
	13MM ROPE	87-06-002
	19MM ROPE	87-06-009



HARWORTH HEATING LTD TEL 01302 742520

WAMSLER K72 CONVERSION SPARES

ITEM	APPLIANCE	PART No			
	WAMSLER K72	92-09-080			
1	BURNER	77-10-001-VM1			
2	CLOSURE PLATE	87-18-080CP			
3	MINI TOWERING INFERNO	87-04-600-1			
4	MINI TOWERING INFERNO TOP BOARD	87-04-600-I			
5	MINI TOWERING INFERNO RING	87-01-001-BB			
6	BOARD KIT	87-19-080-1			
7	CLOSURE PLATE BOARD	87-19-080A			
8	BI POLE STAT	77-01-007-C			
9	TEDDINGTON FIRE VALVE	77-07-056			
10	LARGE CABLE GLAND	RS392-056			
11	SMALL CABLE GLAND	77-01-023			
12	FLEXIHOSE 750MM LONG	77-01-017-F			
13	NOZZLE 0.4 USG X 60 DEGS	77-01-016-H			

THE PERSON DEALING WITH THE INQUIRY SHOULD VERIFY

- 1 THE TYPE OF BURNER (COLOUR, FLEXAFLAME, SERIAL NO,GAS OR OIL)
- 2 THE TYPE OF STAT ASS (BI POLE OR PIPE STATS)

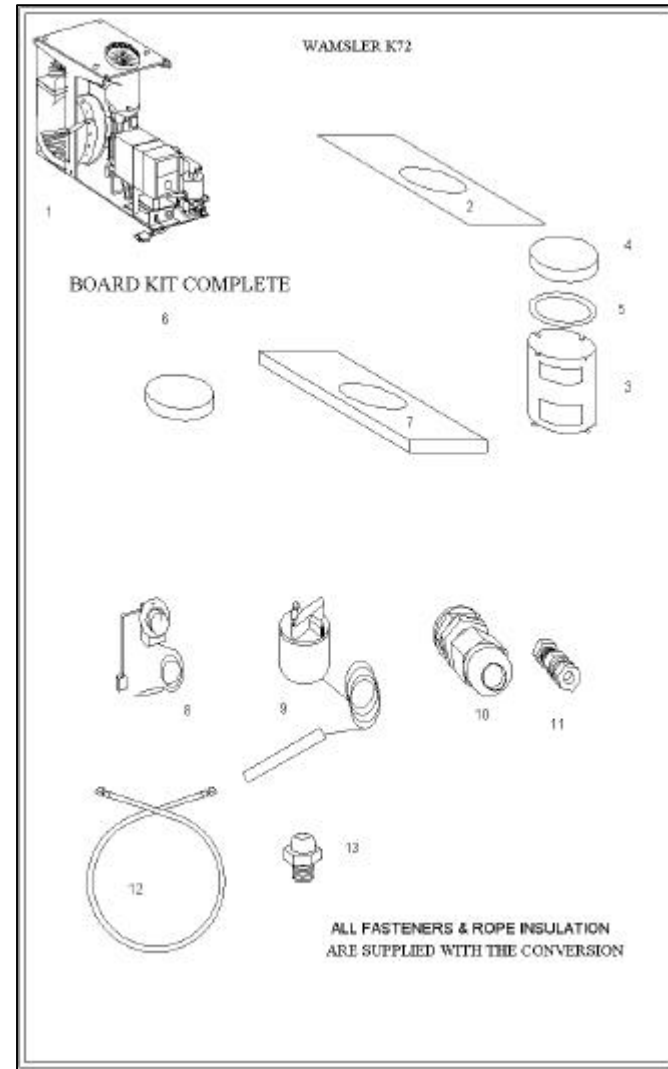
NOTE

ANY ITEM REQUIRED CAN BE USED ON ALL PREVIOUS VERSIONS OF CONVERSION KITS STAFF TO MAKE THE FOLLOWING MODIFICATIONS TO SUITE REQUIRED CONVERSION

FOLLOW THESE INSTRUCTIONS WHEN A BLUE, BLACK,OR GREEN BOX BURNER IS IN USE

- 1 CLOSURE PLATE REMOVE NUTS & BOLTS
- 2 CLOSURE BOARD FOR GAS CONVERSION REQUIRES 100mm DIA HOLE
- 3 ALL BOARDS MARK TRIM ON SITE
- 4 ROPE & WOOL IS REQUIRED

WHEN VIEWING THE SHEET IS FINISHED, SELECT LIST THEN CLOSE THE SHEET



HARWORTH HEATING LTD TEL 01302 742520

WAMSLER K92 CONVERSION SPARES

ITEM	APPLIANCE	PART No
	WAMSLER K92	92-09-120
1	BURNER	77-10-001-VM1
2	CLOSURE PLATE	87-18-120CP
3	BAFFLE BOX	87-01-120-1
4	BOARD KIT	87-19-120-1
5	BAFFLE TOP BOARD	87-04-120
6	FRONT BOARD	87-19-120B
7	CLOSURE PLATE BOARD	87-19-120A
8	PIPE STAT ASS	77-01-005-A
9	TEDDINGTON KBB FIRE VALVE	77-07-056
10	LARGE CABLE GLAND	RS392-056
11	SMALL CABLE GLAND	77-01-023
12	FLEXIHOSE 750MM LONG	77-01-017-F
13	NOZZLE 0.5 USG X 60 DEGS	77-01-016-D

THE PERSON DEALING WITH THE INQUIRY SHOULD VERIFY

- 1 THE TYPE OF BURNER (COLOUR, FLEXAFLAME, SERIAL NO,GAS OR OIL)
- 2 THE TYPE OF STAT ASS (BI POLE OR PIPE STATS)

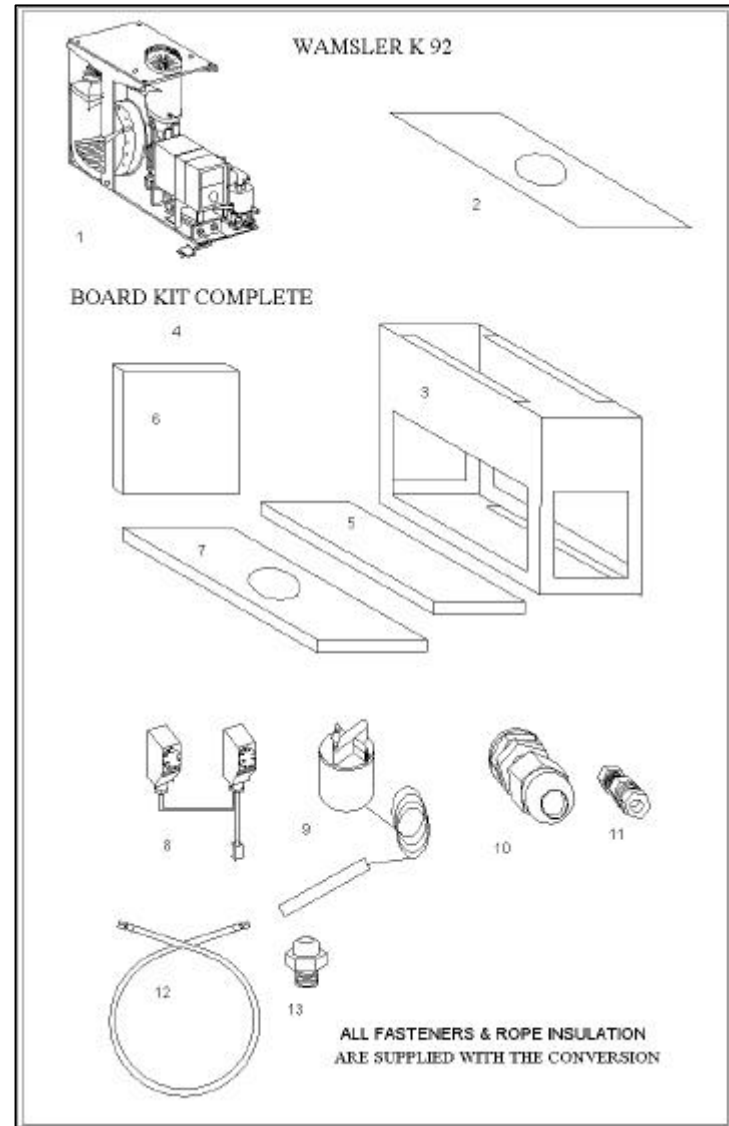
NOTE

ANY ITEM REQUIRED CAN BE USED ON ALL
PREVIOUS VERSIONS OF CONVERSION KITS
STAFF TO MAKE THE FOLLOWING MODIFICATIONS
TO SUITE REQUIRED CONVERSION

FOLLOW THESE INSTRUCTIONS WHEN A BLUE, BLACK,OR GREEN BOX BURNER IS IN USE

- 1 CLOSURE PLATE REMOVE NUTS & BOLTS
- 2 CLOSURE BOARD FOR GAS CONVERSION REQUIRES
100mm DIA HOLE
- 3 ALL BOARDS MARK TRIM ON SITE

WHEN VIEWING THE SHEET IS FINISHED, SELECT LIST THEN CLOSE THE SHEET



HARWORTH HEATING LTD TEL 01302 742520

WAMSLER K97 CONVERSION SPARES

ITEM	APPLIANCE	PART No
	WAMSLER K97	92-09-020
1	BURNER	77-10-001-VM1
2	CLOSURE PLATE	87-18-020CP
3	BAFFLE BOX	87-01-015-1
4	BOARD KIT	87-19-020-1
5	CLOSURE PLATE BOARD	87-19-020-A
6	BAFFLE BOX BOARD	87-04-015
7	BI POLE STAT	77-01-007-C
8	TEDDINGTON KBB FIRE VALVE	77-07-056
9	LARGE CABLE GLAND	RS392-056
10	SMALL CABLE GLAND	77-01-023
11	FLEXIHOSE 750MM LONG	77-1-017-F
12	NOZZLE 0.5 USG X 60 DEGS	77-01-016-G

THE PERSON DEALING WITH THE INQUIRY SHOULD VERIFY

1 THE TYPE OF BURNER (COLOUR, FLEXAFLAME, SERIAL NO,GAS OR OIL)

2 THE TYPE OF STAT ASS (BI POLE OR PIPE STATS)

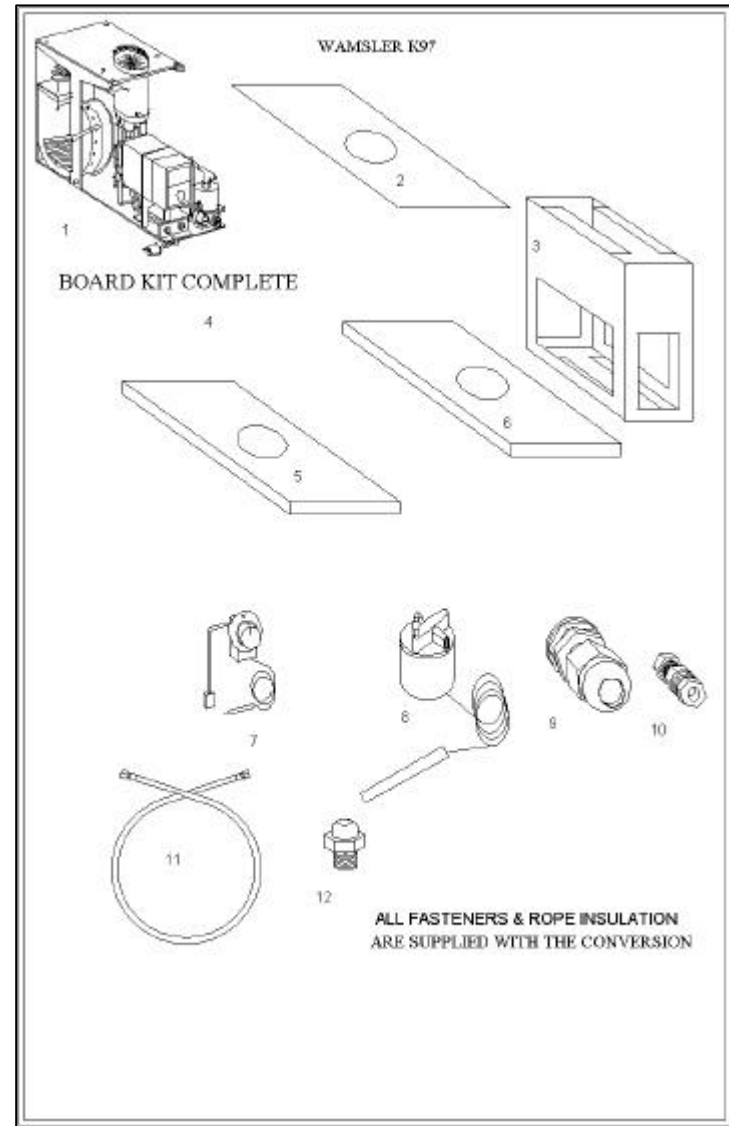
NOTE

ANY ITEM REQUIRED CAN BE USED ON ALL
PREVIOUS VERSIONS OF CONVERSION KITS
STAFF TO MAKE THE FOLLOWING MODIFICATIONS
TO SUITE REQUIRED CONVERSION

FOLLOW THESE INSTRUCTIONS WHEN A BLUE, BLACK,OR GREEN BOX BURNER IS IN USE

- 1 CLOSURE PLATE REMOVE NUTS & BOLTS
- 2 CLOSURE BOARD FOR GAS CONVERSION REQUIRES
100mm DIA HOLE
- 3 ALL BOARDS MARK TRIM ON SITE

WHEN VIEWING THE SHEET IS FINISHED, SELECT LIST THEN CLOSE THE SHEET



HARWORTH HEATING LTD TEL 01302 742520

WAMSLER K118 CONVERSION SPARES

ITEM	APPLIANCE	PART No
	WAMSLER K118	92-09-105
1	BURNER	77-10-001-VM1
2	CLOSURE PLATE	87-18-105CP
3	BAFFLE BOX	87-01-105-1
4	BOARD KIT	87-19-105-1
5	BAFFLE BOX BOARD	87-04-105
6	CLOSURE PLATE BOARD	87-19-105A
7	FRONT BOARD	87-19-105B
8	BI POLE STAT	77-01-007-C
9	TEDDINGTON KBB FIRE VALVE	77-07-056
10	LARGE CABLE GLAND	RS392-056
11	SMALL CABLE GLAND	77-01-023
12	FLEXIHOSE 750MM LONG	77-01-017-F
13	NOZZLE 0.5 USG X 60 DEGS	77-01-016-D

THE PERSON DEALING WITH THE INQUIRY SHOULD VERIFY

- 1 THE TYPE OF BURNER (COLOUR, FLEXAFLAME, SERIAL NO,GAS OR OIL)
- 2 THE TYPE OF STAT ASS (BI POLE OR PIPE STATS)

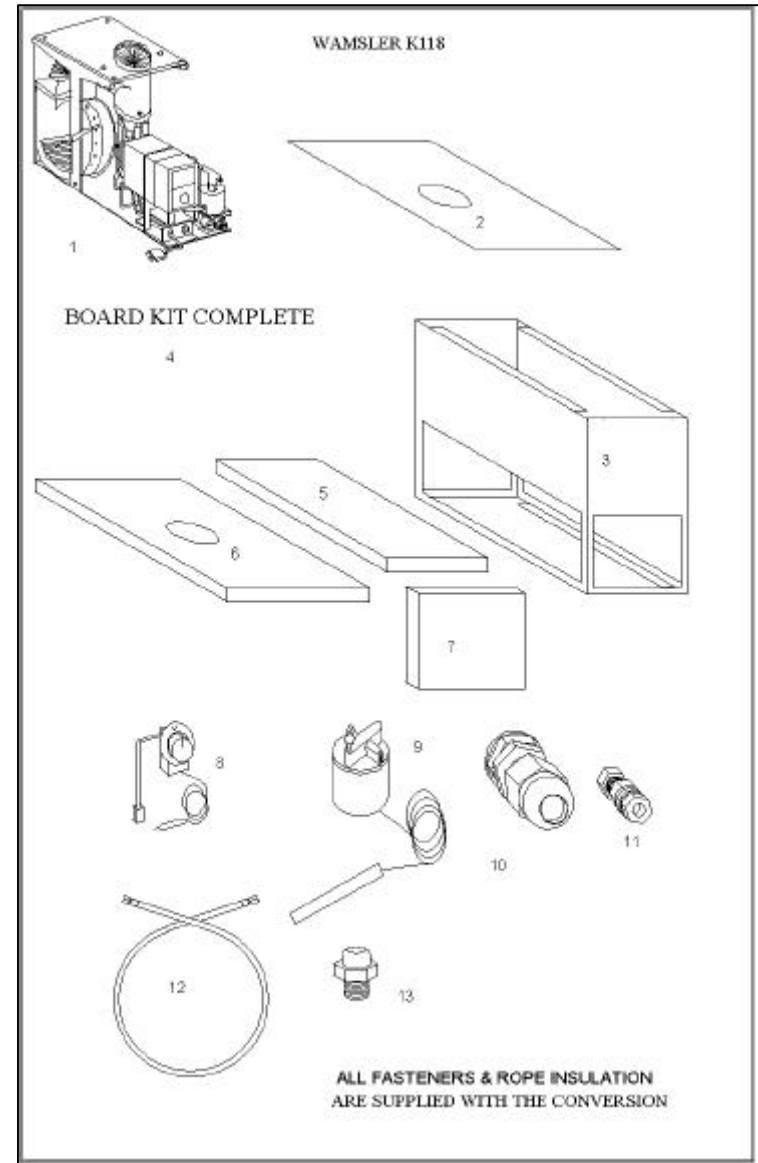
NOTE

ANY ITEM REQUIRED CAN BE USED ON ALL
PREVIOUS VERSIONS OF CONVERSION KITS
STAFF TO MAKE THE FOLLOWING MODIFICATIONS
TO SUITE REQUIRED CONVERSION

FOLLOW THESE INSTRUCTIONS WHEN A BLUE, BLACK,OR GREEN BOX BURNER IS IN USE

- 1 CLOSURE PLATE REMOVE NUTS & BOLTS
- 2 CLOSURE BOARD FOR GAS CONVERSION REQUIRES
100mm DIA HOLE
- 3 ALL BOARDS MARK TRIM ON SITE

WHEN VIEWING THE SHEET IS FINISHED, SELECT LIST THEN CLOSE THE SHEET



HARWORTH HEATING LTD TEL 01302 742520

WINDHAGER 25/4 CONVERSION SPARES

ITEM	APPLIANCE	PART No
	WINDHAGER	92-05-155
1	BURNER	77-10-001-VM1
2	CLOSURE PLATE	87-18-155
3	BAFFLE BOX	87-01-055-1
4	BOARD KIT	87-19-155-1
5	BAFFLE BOX BOARD	87-04-055
6	CLOSURE PLATE BOARD	87-19-155A
7	CLOSURE PLATE FRONT BOARD	87-19-155B
8	BI POLE STAT	77-01-007
9	TEDDINGTON KBB FIRE VALVE	77-07-056
10	LARGE CABLE GLAND	RS392-056
11	SMALL CABLE GLAND	77-01-023
12	FLEXIHOSE 750 LONG	77-01-017-F
13	NOZZLE 0.6 USG X 60 DEGS	77-01-016-C

THE PERSON DEALING WITH THE INQUIRY SHOULD VERIFY

- 1 THE TYPE OF BURNER (COLOUR, FLEXAFLAME, SERIAL NO,GAS OR OIL)
- 2 THE TYPE OF STAT ASS (BI POLE OR PIPE STATS)

NOTE

ANY ITEM REQUIRED CAN BE USED ON ALL PREVIOUS VERSIONS OF CONVERSION KITS
STAFF TO MAKE THE FOLLOWING MODIFICATIONS TO SUITE

FOLLOW THESE INSTRUCTIONS WHEN A BLUE, BLACK,OR GREEN BOX BURNER IS IN USE

- 1 CLOSURE PLATE REMOVE NUTS & BOLTS
- 2 CLOSURE BOARD FOR GAS CONVERSION REQUIRES 100mm DIA HOLE
- 3 ALL BOARDS MARK TRIM ON SITE
- 4 ROPE & WOOL IS REQUIRED

WHEN VIEWING THE SHEET IS FINISHED, SELECT LIST THEN CLOSE THE SHEET

