



wanders.com

Wanders fires & stoves | 2018-1



**wanders**  
fires & stoves





# Index

## 02-21 Gas

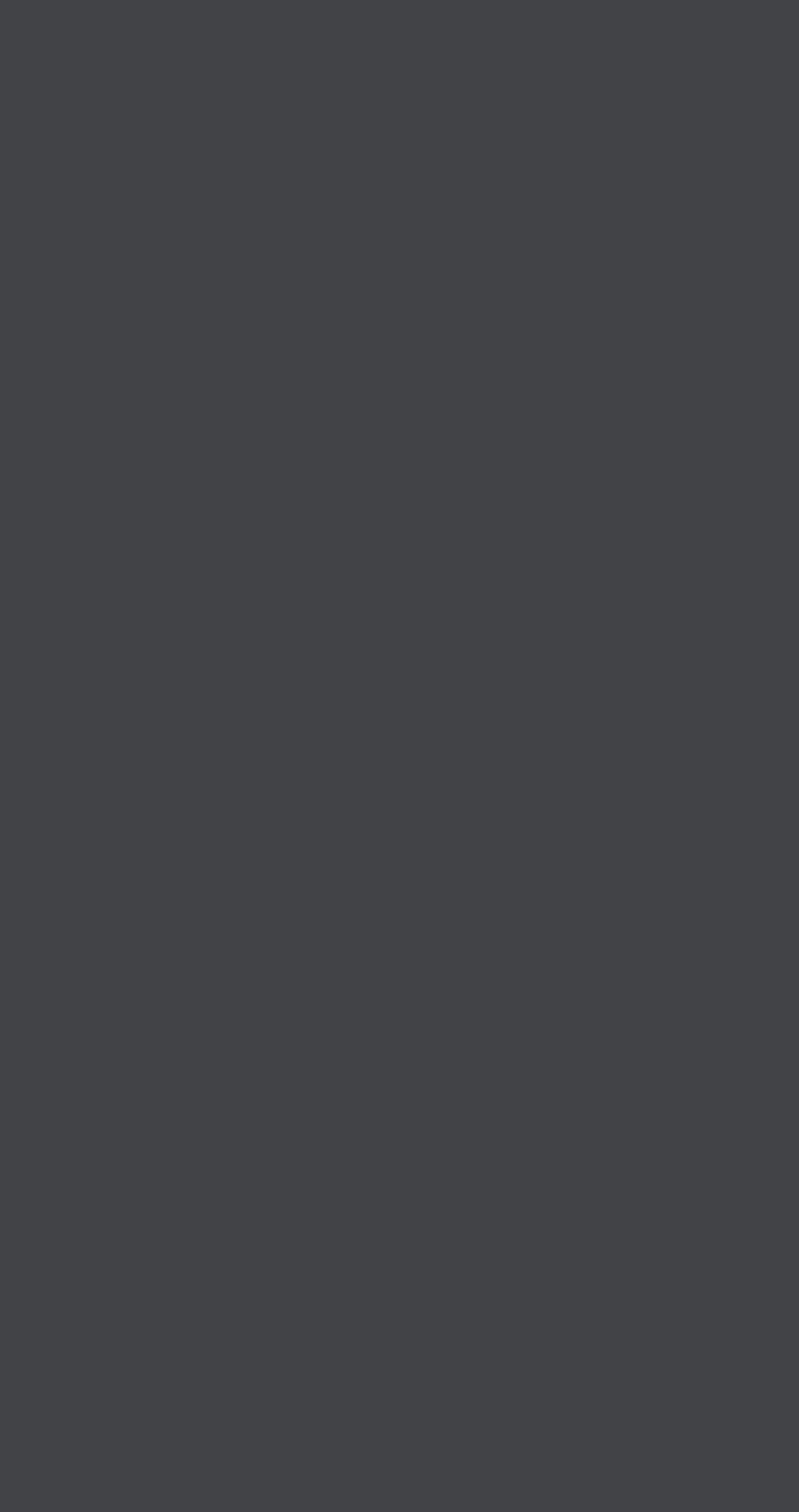
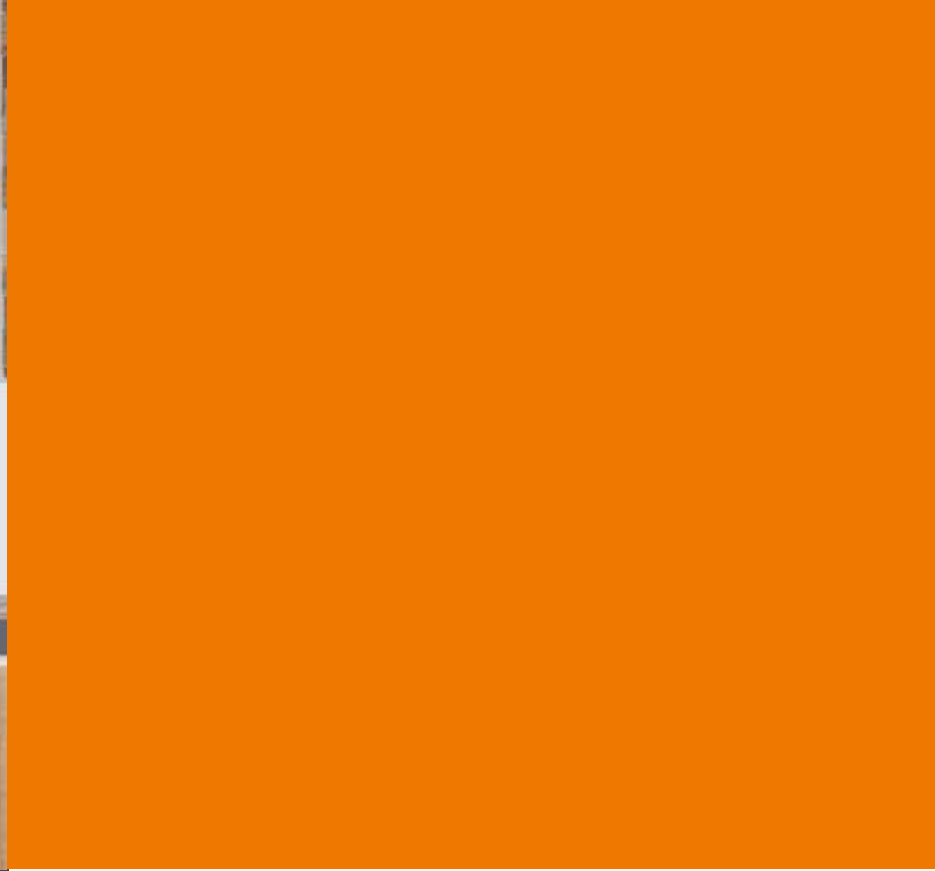
04-05	Lenga 500
06-07	Lenga 800
08-09	Koto
10-11	Douglas
12-13	Danta 500 / 800
14-15	Danta 1100 / 1400
16-17	Balsa
18	Tali
19	Square 40
20-21	Square 60G

## 22-42 Wood

24-25	Black Pearl Black Diamond
26-27	S black edition 60/75 Ruby
28-29	S 60 / 68 / 75 front
30-31	S 60 / 75 corner
32	Square 60
33	Square 75 tunnel Jules
34-35	Elm
36-37	Oak
38-39	Platane
40-41	Pecan eco
42	Marvic









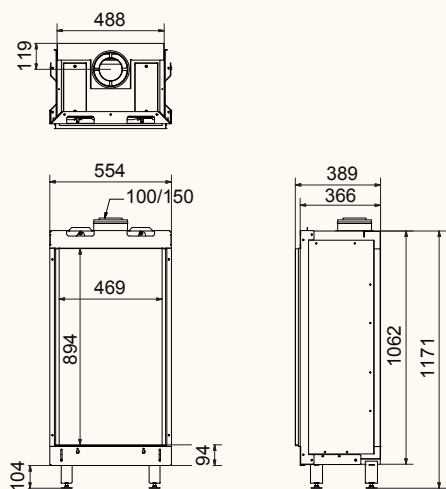
# GAS



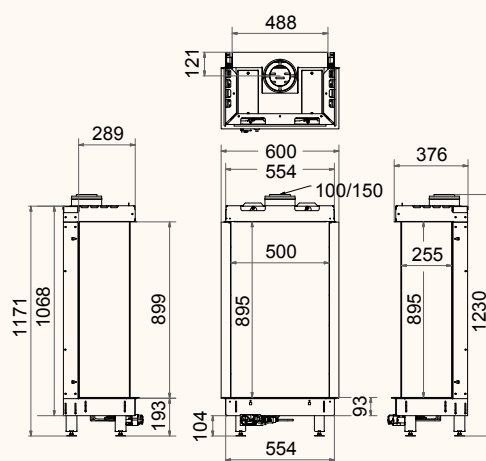
**wanders**  
fires & stoves

# Lenga 500

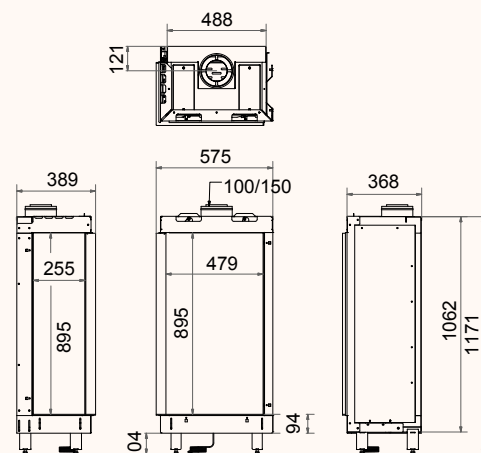
Lenga 500 A



Lenga 500 ABE



Lenga 500 AB/AE



Lenga 500 A





Lenga 500 AB



Lenga 500 ABE



Lenga 500 ABE



Black | In: 9,3 kW



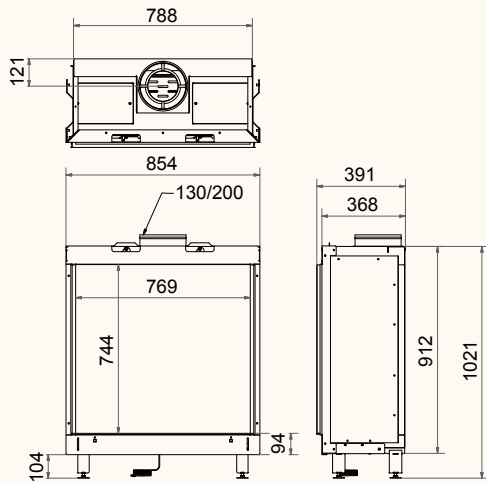
ECO



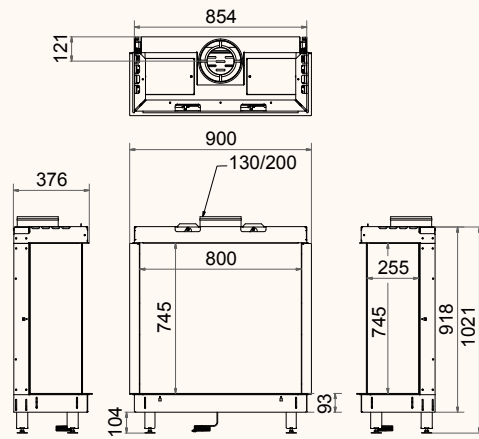
wanders  
fires & stoves

# Lenga 800

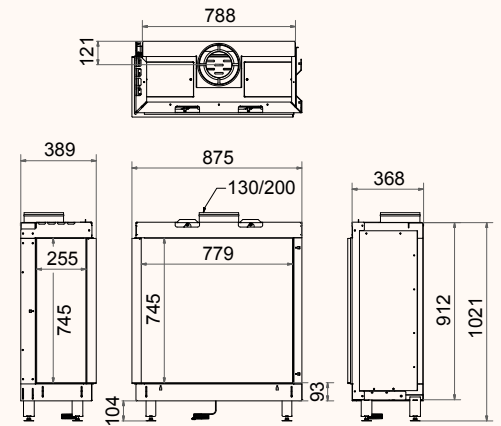
Lenga 800 A



Lenga 800 ABE



Lenga 800 AB/AE



Lenga 800 A





Lenga 800 ABE



Lenga 800 AE



Lenga 800 ABE



Black | In: 12,3 kW

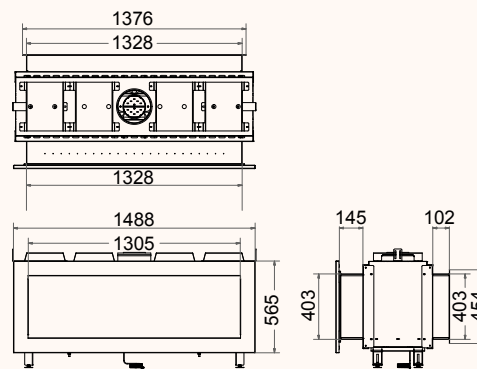
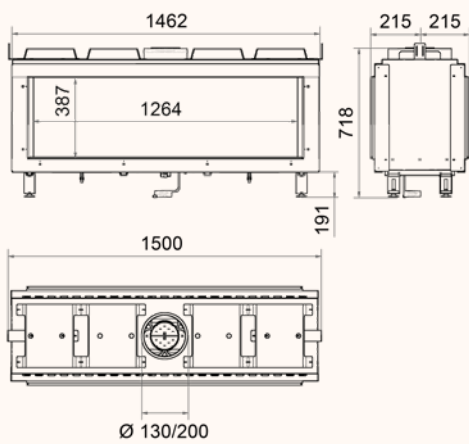

	A <sup>++</sup>
	A <sup>+</sup>
	A
	B
	C
	D
	E
	F
	G

**wanders**  
fires & stoves

# Koto

Koto

Koto inside/outside



Koto





Koto



Koto inside/outside



Koto



Black | In: 11,7 kW



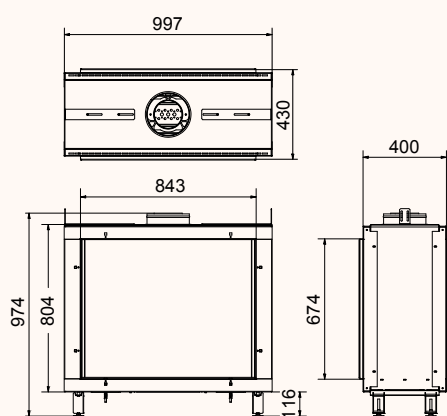
ECO



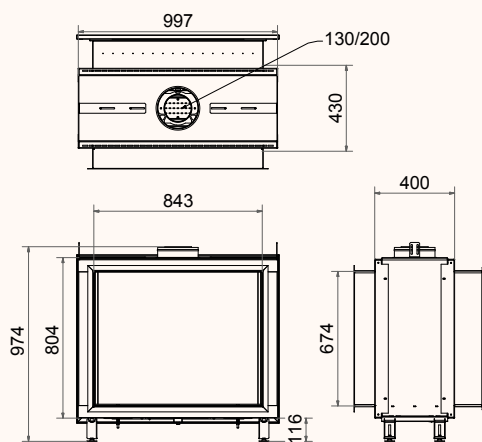
wanders  
fires & stoves

# Douglas

Douglas



Douglas inside/outside



Douglas





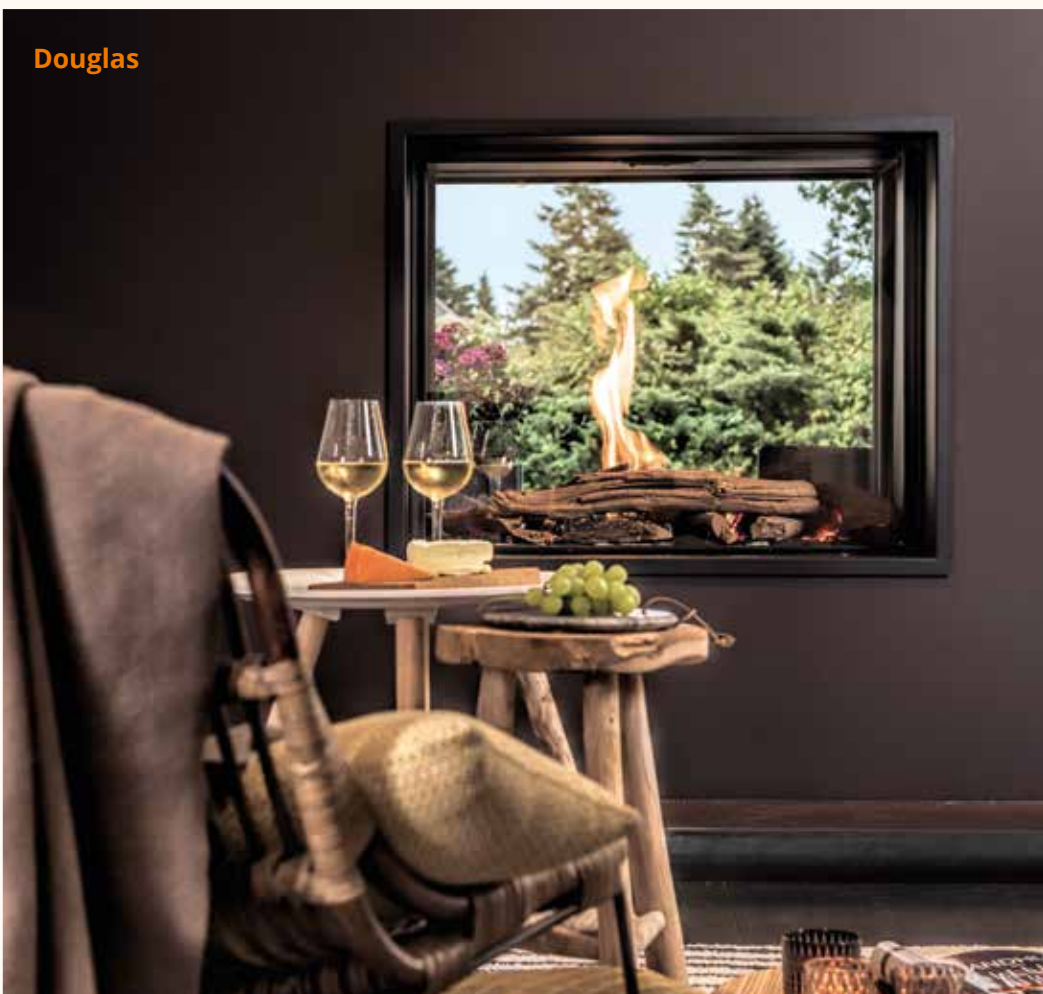
Douglas



Douglas



Douglas



Black | In: 10,0 kW

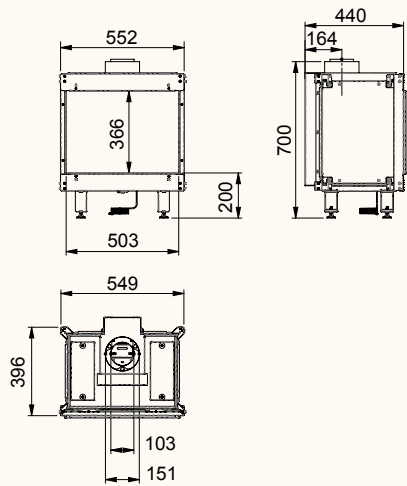


wanders  
fires & stoves

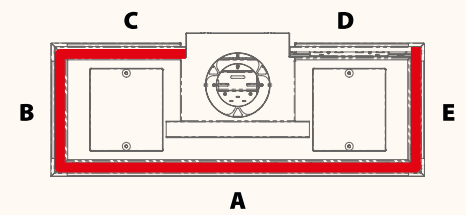
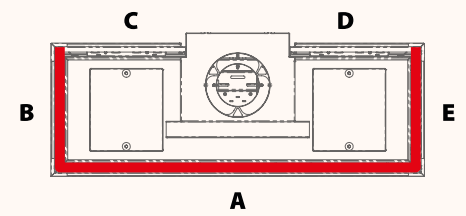
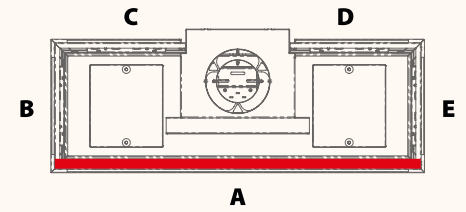
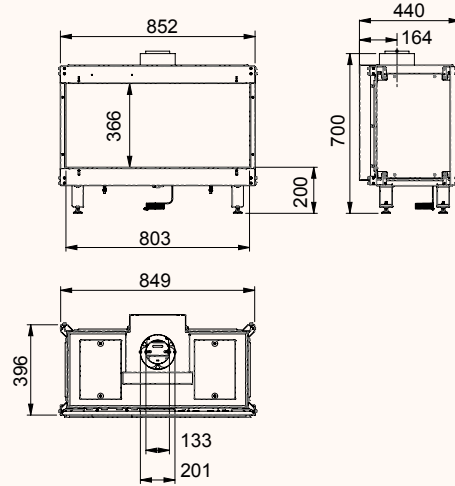


# Danta 500 / 800

Danta 500



Danta 800



Danta 500 ABCDE





Danta 800 AE



Danta 800 ABCDE



Danta 500 AB



Danta 500: Black | In: 6,8 kW

**ECO** 100/150 93,5

Danta 800: Black | In: 9,0 kW

**ECO** 130/200 91,0

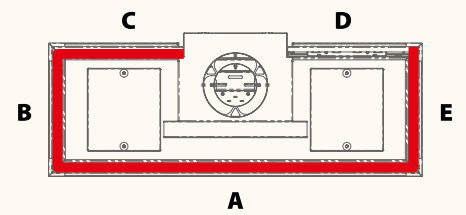
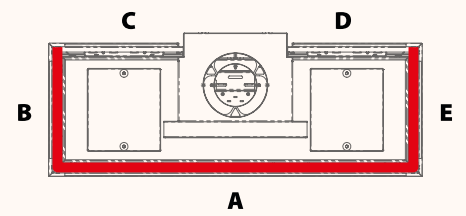
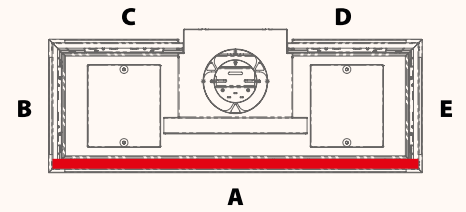
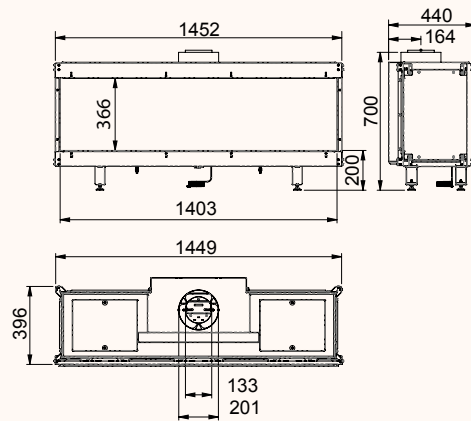
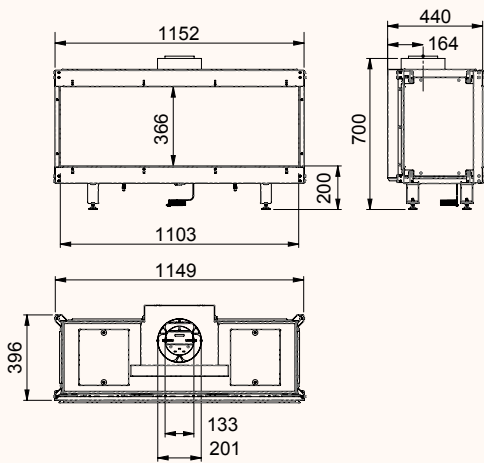
A++  
A+  
A  
B  
C  
D  
E  
F  
G

**wanders**  
fires & stoves

# Danta 1100 / 1400

Danta 1100

Danta 1400



Danta 1100 ABE







Danta 1100 ABDE



Danta 1400 ABCDE



Danta 1400 ABCDE

Danta 1100: Black | In: 11,7 kW

**ECO**

Danta 1400: Black | In: 14,0 kW

**ECO**

Danta 1100 → **A++**

Danta 1400 → **A+**

**A**

**B**

**C**

**D**

**E**

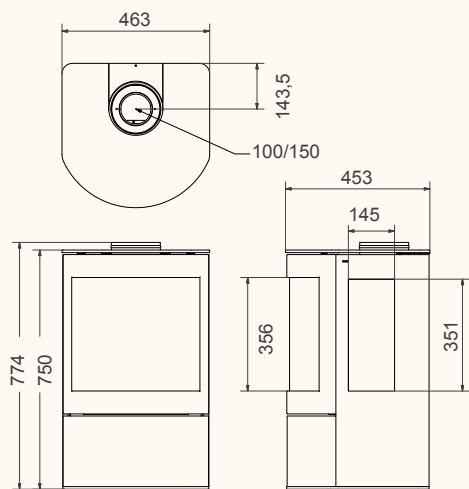
**F**

**G**

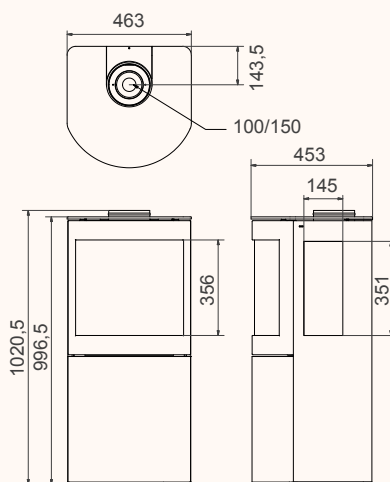
**wanders**  
fires & stoves

# Balsa

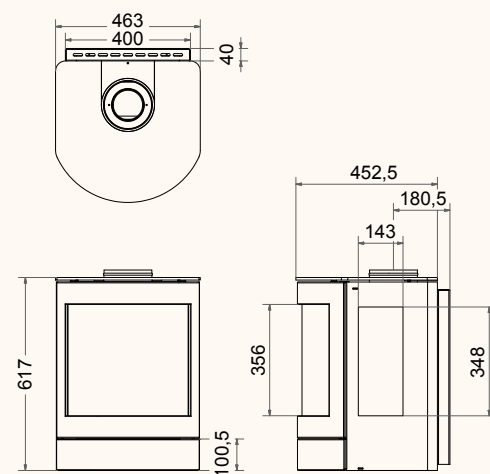
Balsa 75



Balsa 100



Balsa Wall



Balsa Wall







Black | In: 6,2 kW


Energy efficiency scale:

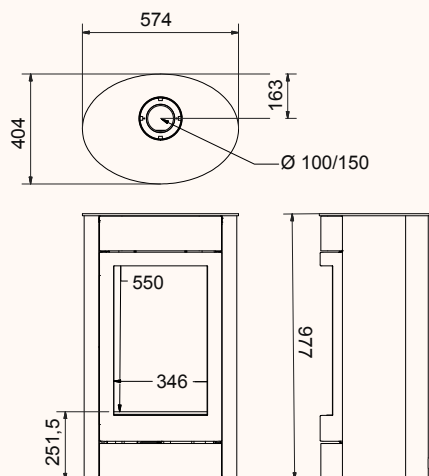
- A<sup>++</sup>
- A<sup>+</sup>
- A
- B
- C
- D
- E
- F
- G

**wanders**  
fires & stoves



# Tali

Tali



Tali

Black | In: 6,2 kW



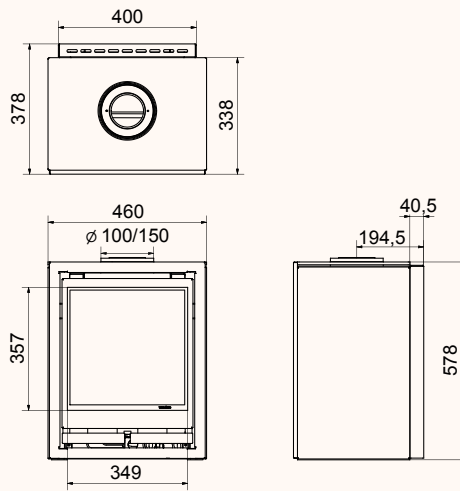
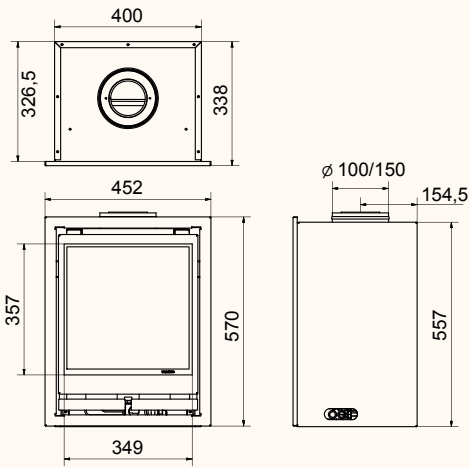
wanders  
fires & stoves



# Square 40G

Square 40G

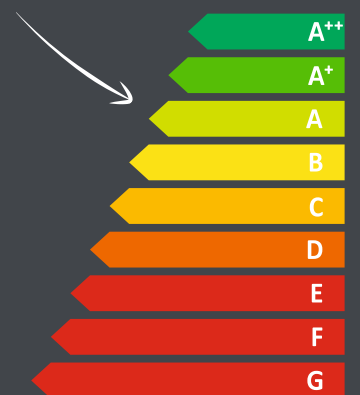
Square 40G Wall



Square 40G left



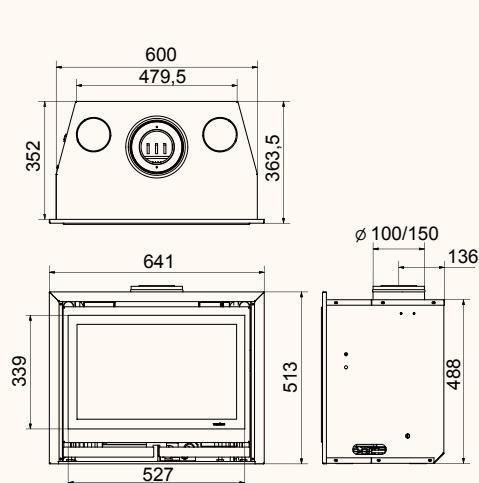
Black | In: 5,3 kW



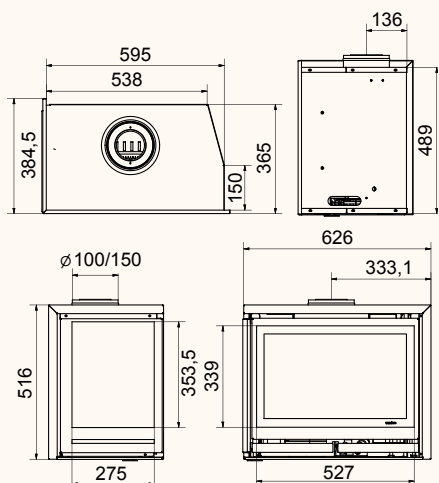
wanders  
fires & stoves

# Square 60G

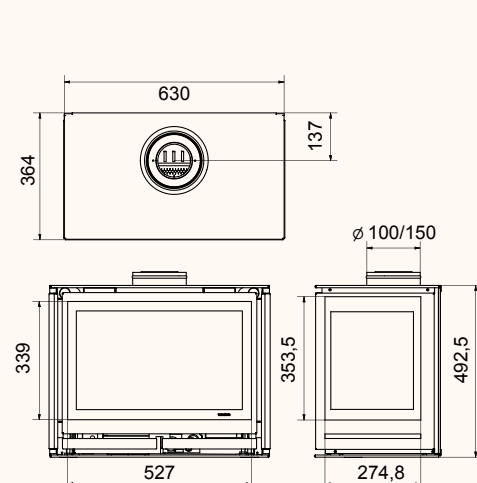
Square 60G front



Square 60G left/right



Square 60G trilateral



Square 60G right





Square 60G front



Square 60G trilateral



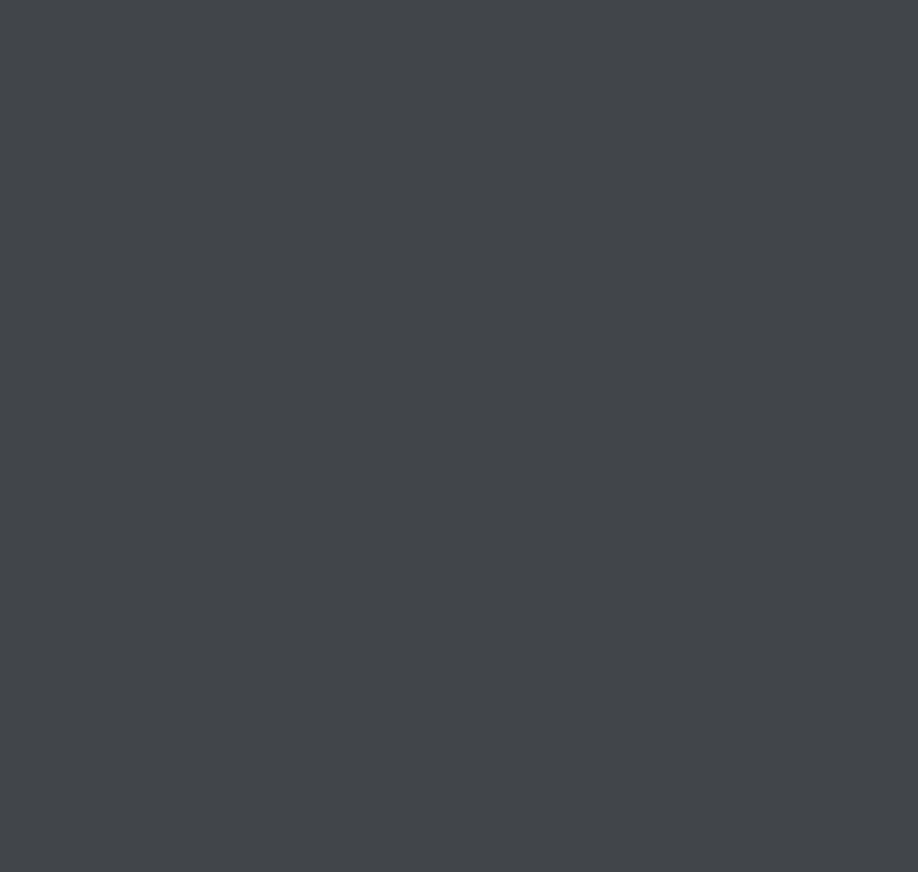
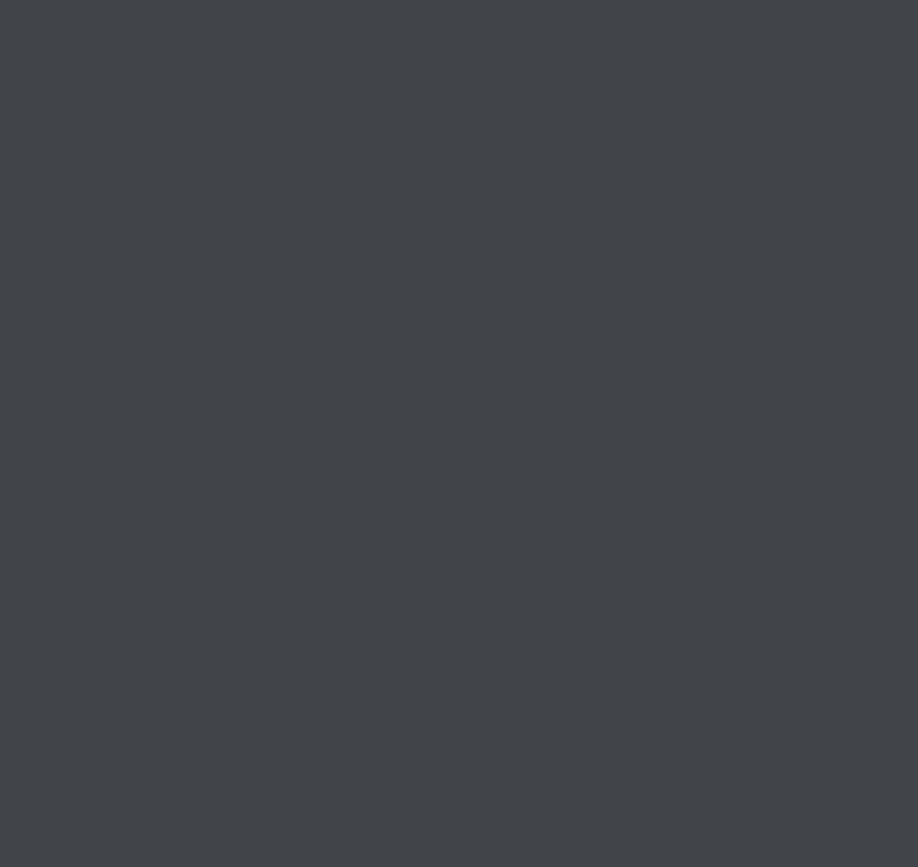
Black | In: 4,8 kW



ECO



wanders  
fires & stoves







# WOOD

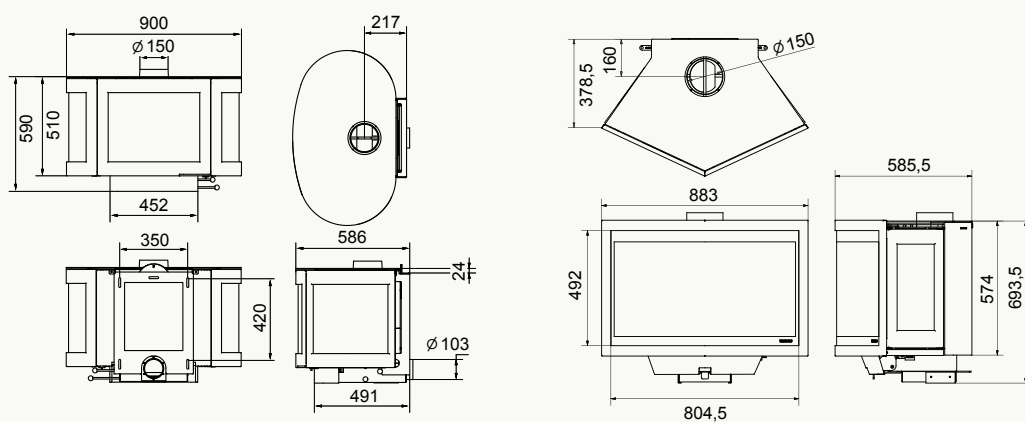


**wanders**  
fires & stoves

# Black Pearl / Black Diamond

Black Pearl

Black Diamond



Black Pearl





Black Diamond



Black Pearl



Black Diamond



Black Pearl: Black | 8-10 kW



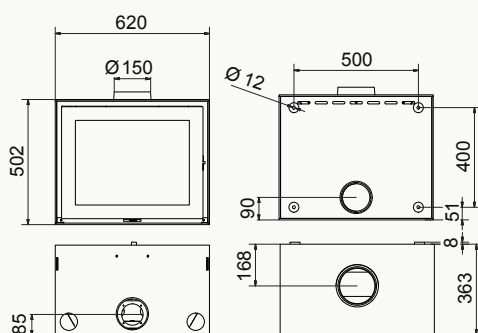
Black Diamond: Black | 8-10 kW



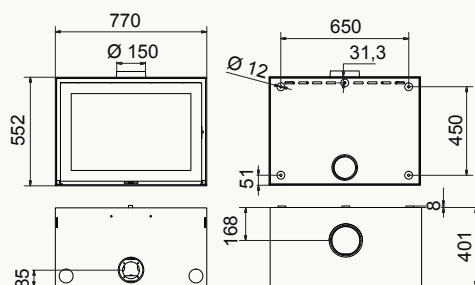
wanders  
fires & stoves

# S Black Edition / Ruby

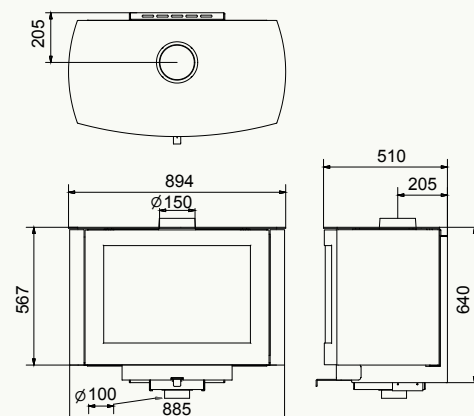
S 60 Black Edition



S 75 Black Edition



Ruby



Ruby





Ruby



S 60 Black Edition



S 60/75 Black Edition



S60 Black Edition: Black | 5-7 kW



S75 Black Edition: Black | 8-10 kW



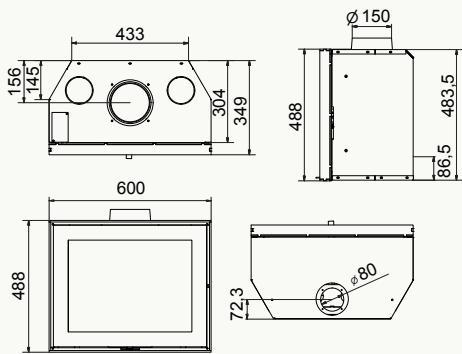
Ruby: Black | 8-10 kW



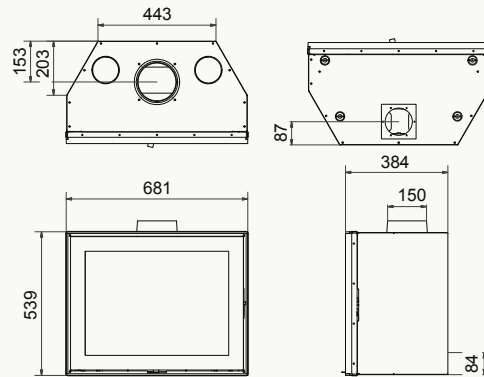
wanders  
fires & stoves

# S 60 / 68 / 75 front

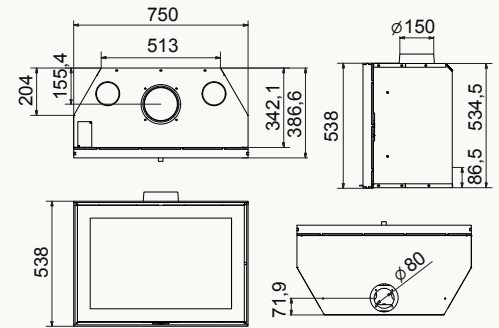
S 60 front



S 68 front



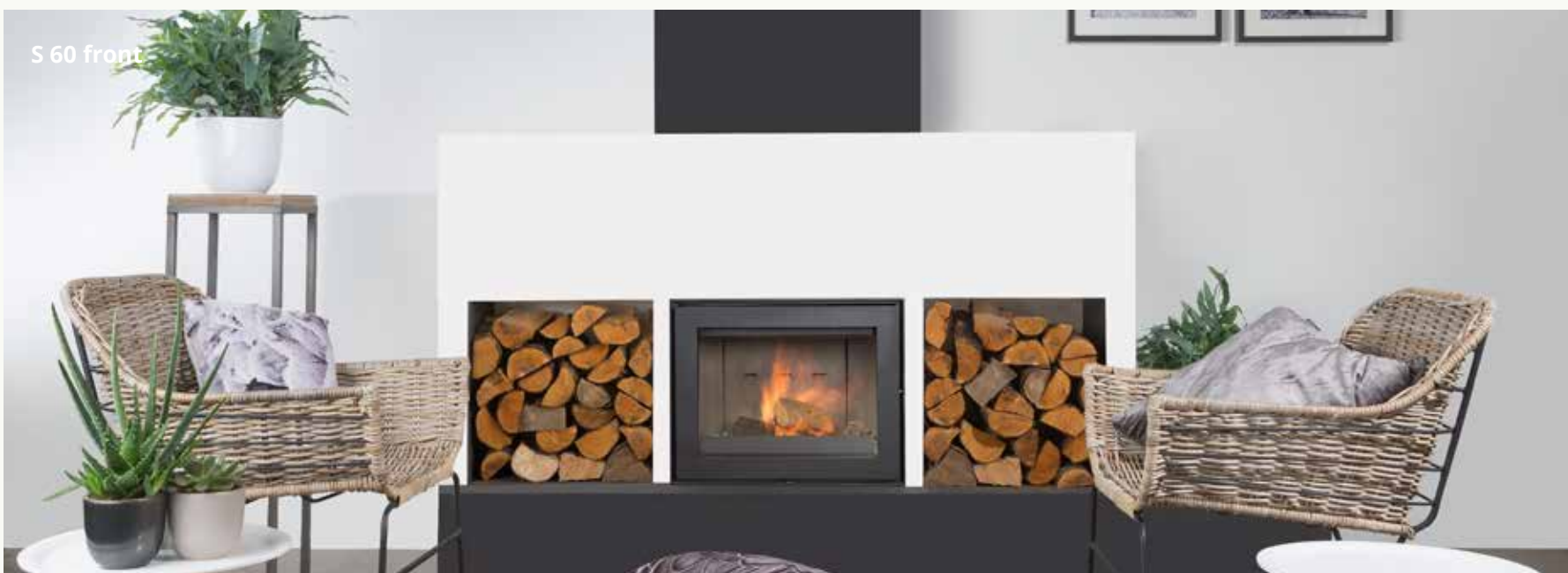
S 75 front



S 60 front





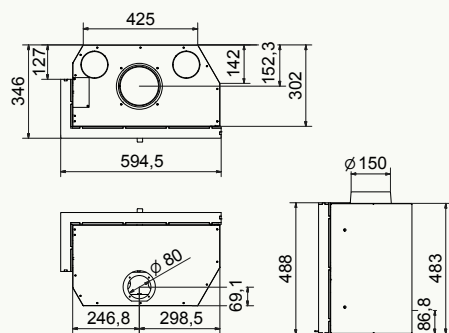


S60 front:	Black		5-7 kW
S68 front:	Black		6-8 kW
S75 front:	Black		8-10 kW

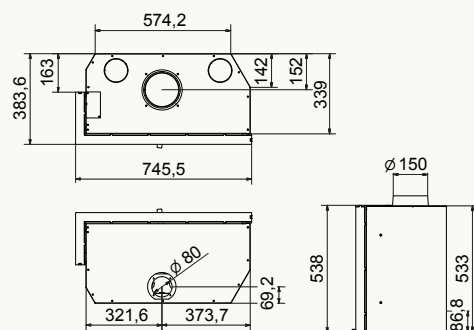
**wanders**  
fires & stoves

# S 60 / 75 corner

S 60 corner



S 75 corner

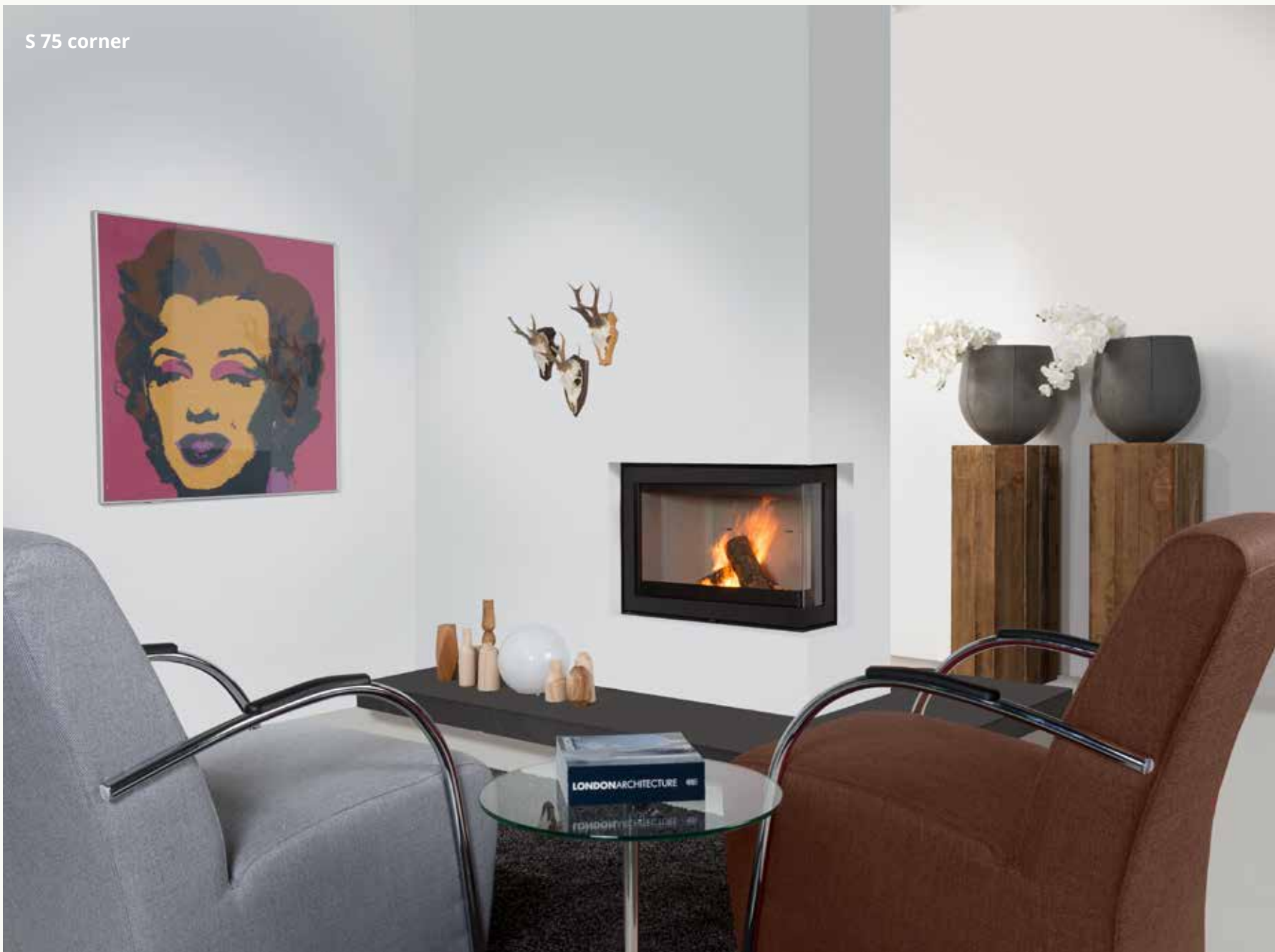


S 60 corner





S 75 corner



S 75 corner



S60 corner: Black | 5-7 kW



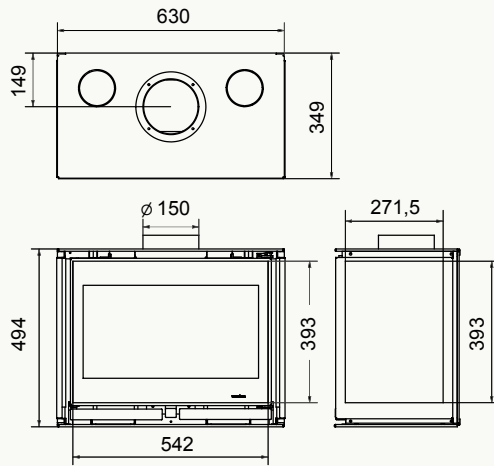
S75 corner: Black | 8-10 kW



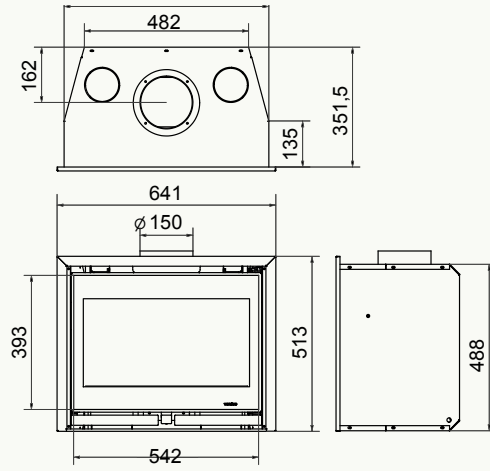
wanders  
fires & stoves

# Square 60

Square 60 trilateral



Square 60 front

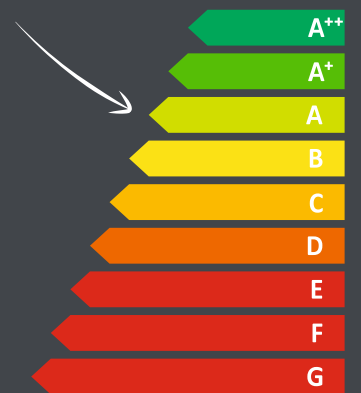


Square 60 front

Square 60 trilateral



Square 60 front: Black | 5-7 kW



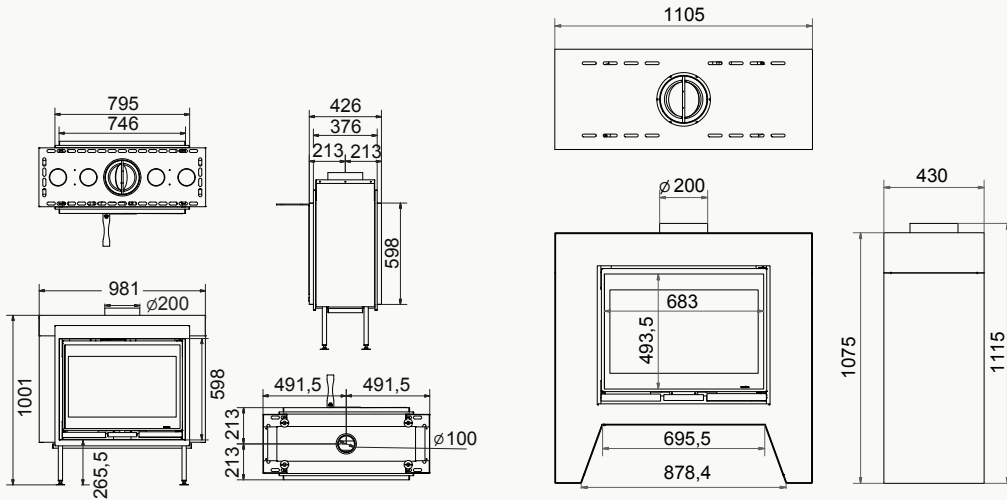
**wanders**  
fires & stoves



# Square 75 tunnel / Jules

Square 75 tunnel

Jules



Square 75 tunnel



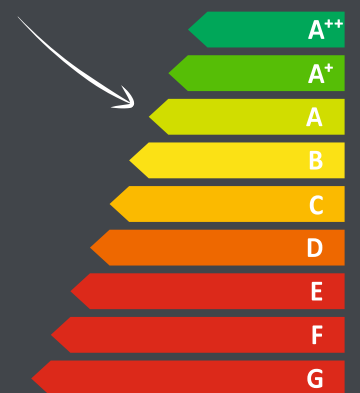
Jules



Square 75 tunnel: Black | 10-12 kW



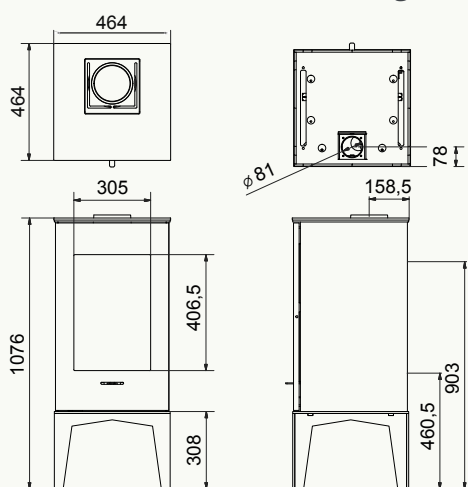
Jules: Black | 10-12 kW



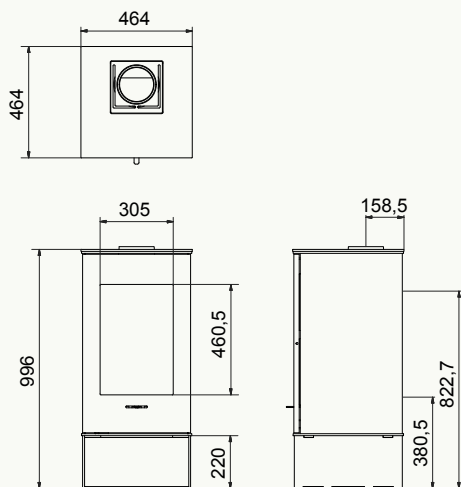
**wanders**  
fires & stoves

# Elm

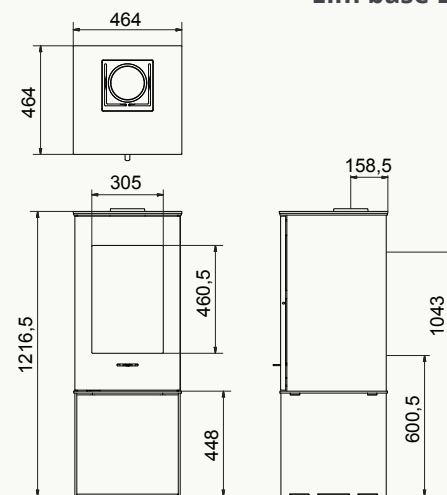
Elm original



Elm base M



Elm base L



Elm original





Elm M



Elm L



Elm L



Elm L



Elm: Black | 5-7 kW





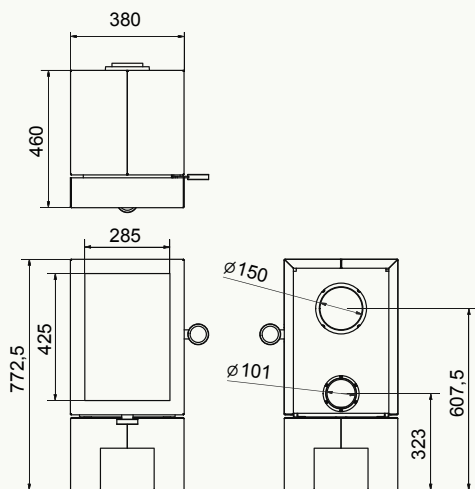





wanders  
fires & stoves

# Oak

## Oak



## Oak Concrete Grey





Oak Concrete White



Oak Steel



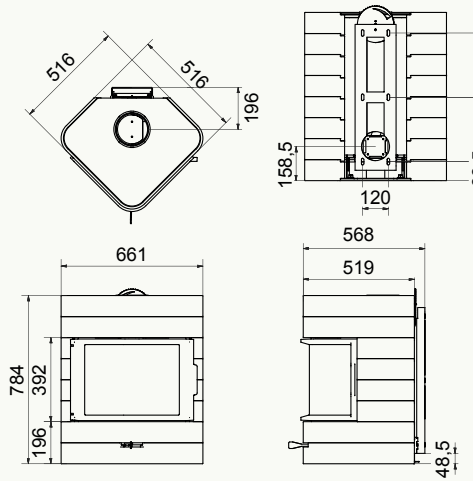
Black | 4-6 kW



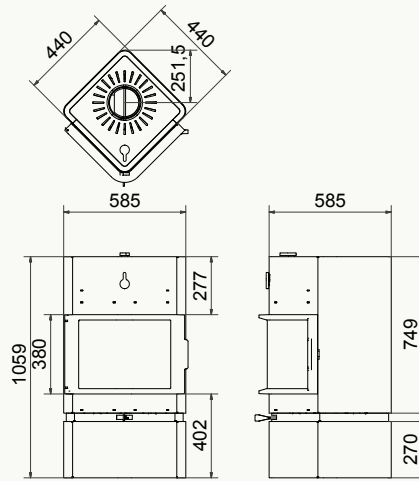
wanders  
fires & stoves

# Platane

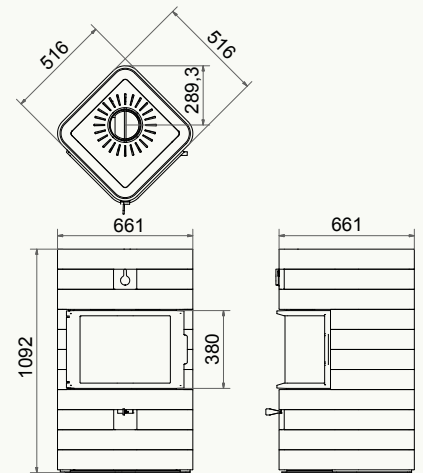
Platane concrete wall



Platane



Platane concrete



Platane wall





Platane



Platane wall



Platane



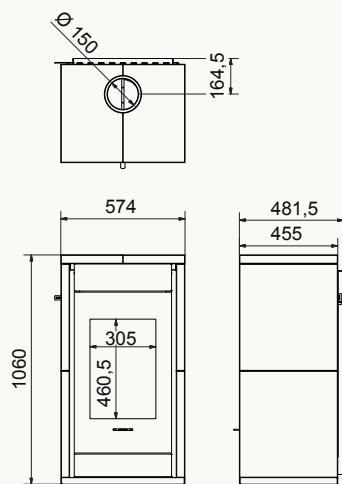
Black | 5-7 kW



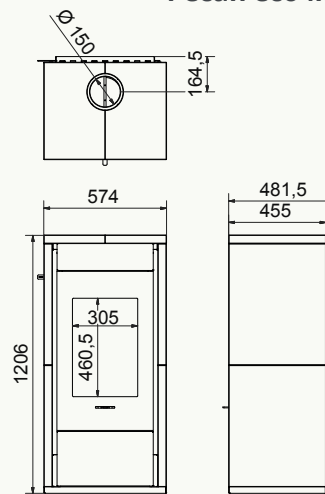
wanders  
fires & stoves

# Pecan eco

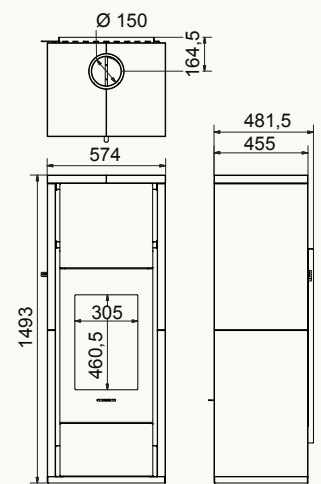
Pecan eco S



Pecan eco M



Pecan eco L



Pecan eco M





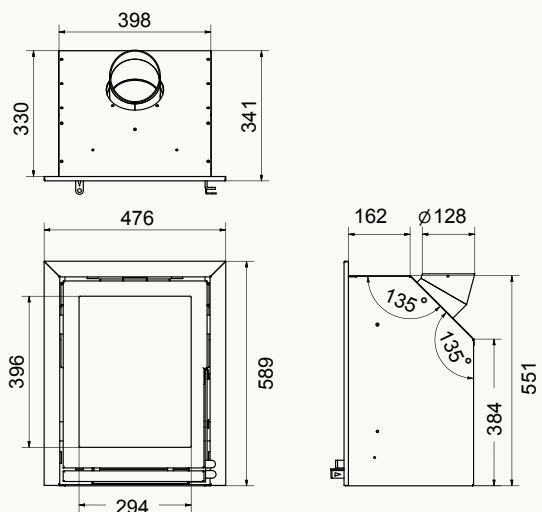


Black | 5-8 kW

**wanders**  
 fires & stoves

# Marvic

Marvic



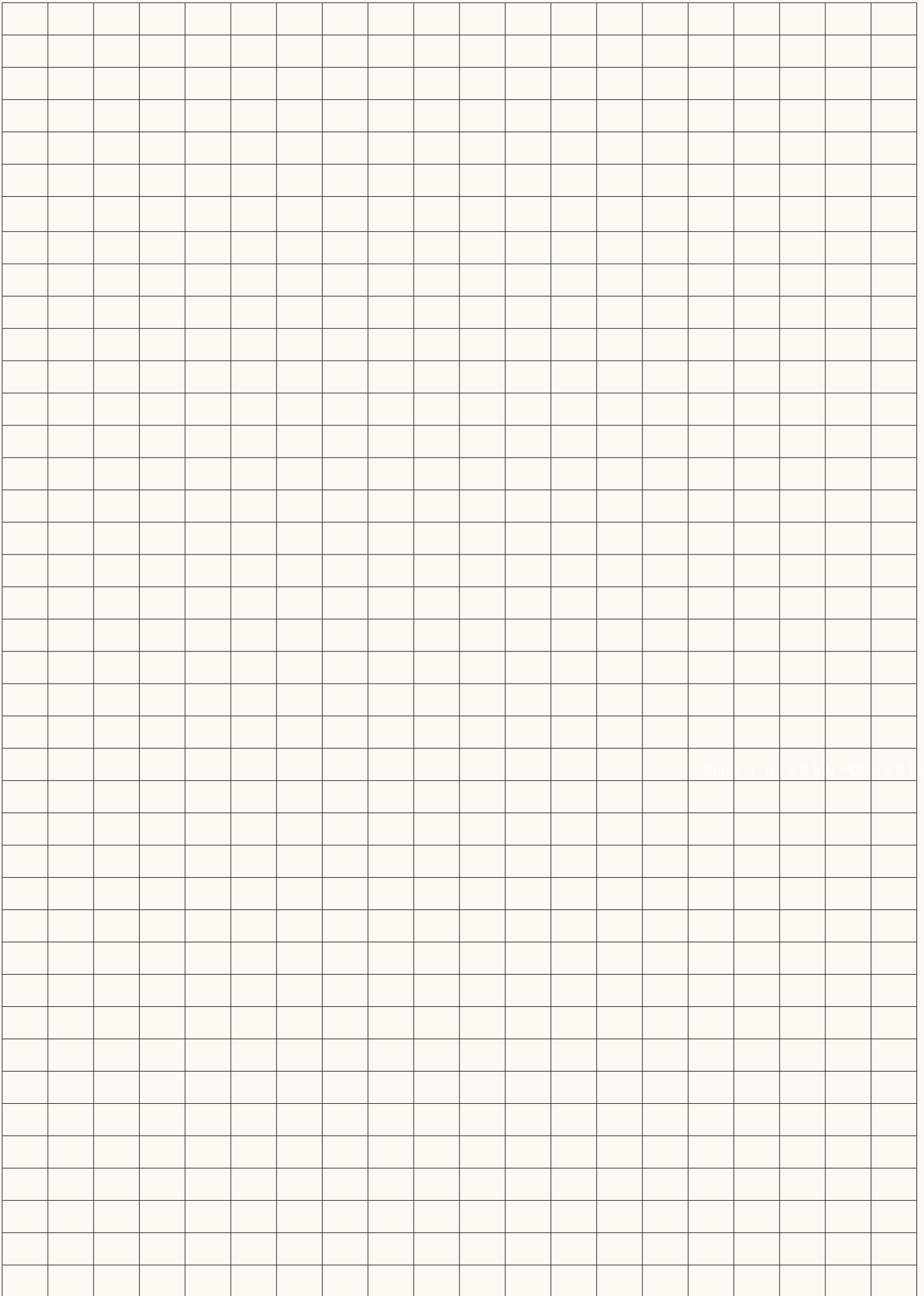
Marvic

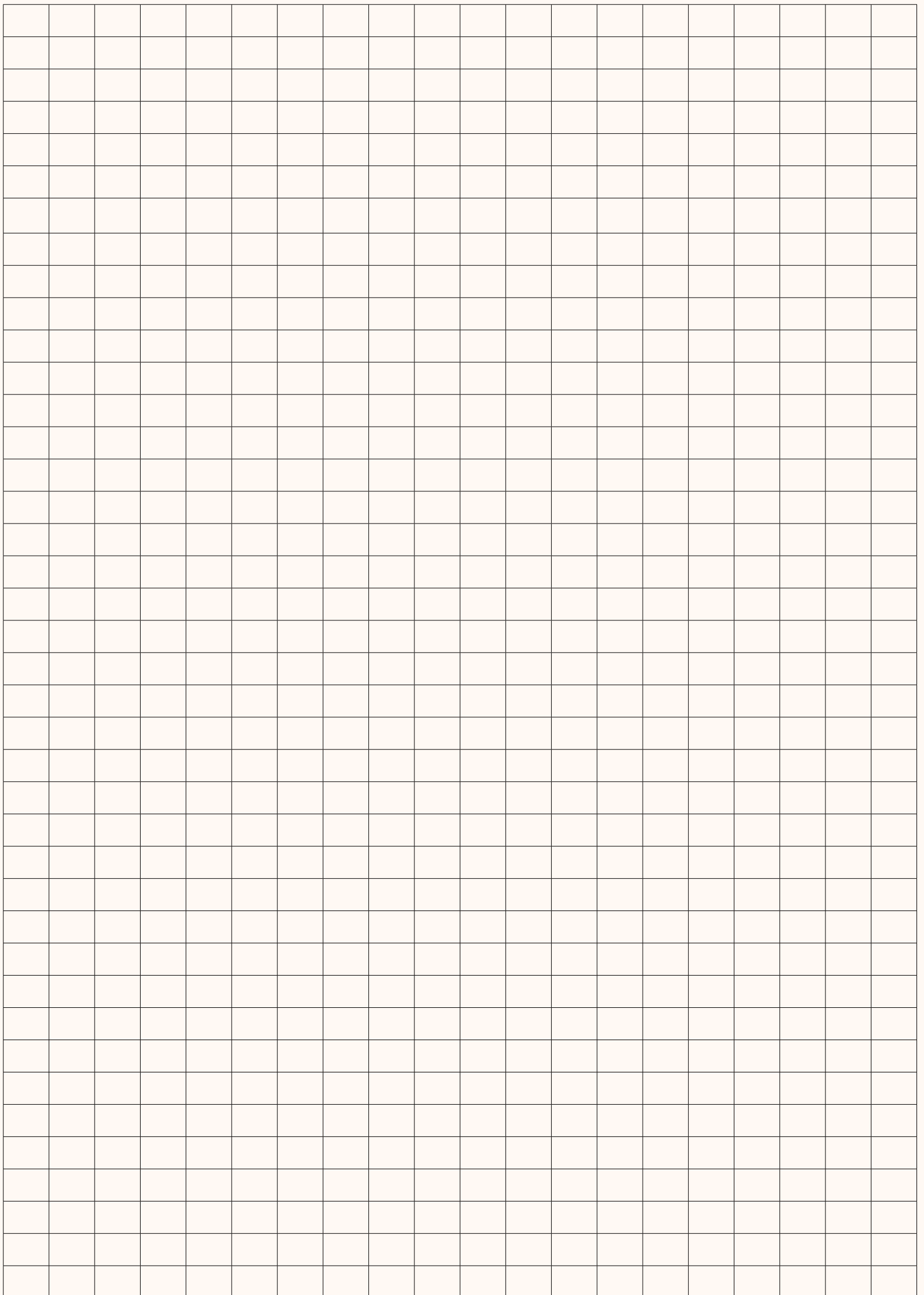
Black | 5-8 kW



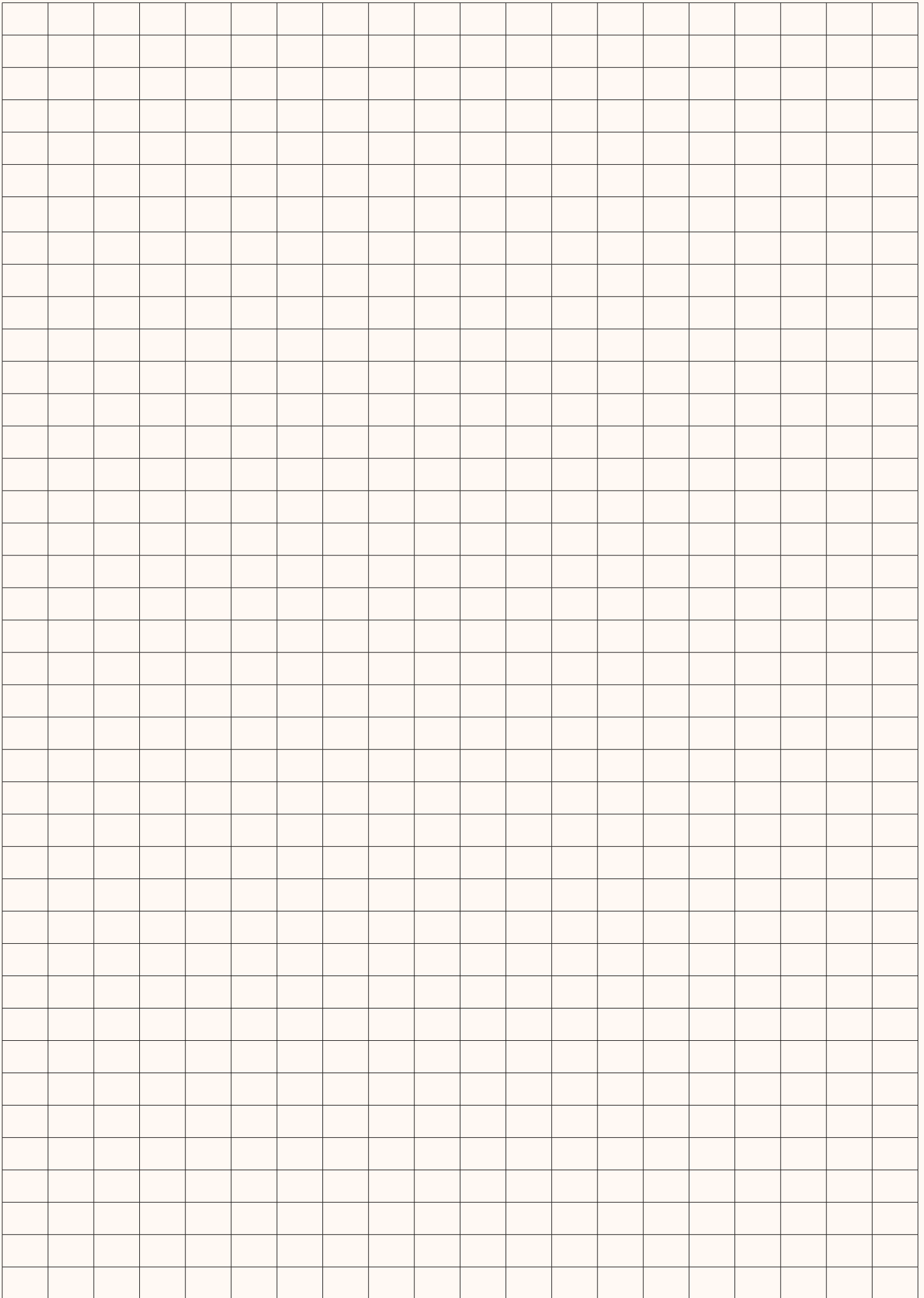
wanders  
fires & stoves













wanders  
fires & stoves



Amtweg 4, NL-7077 AL Netterden  
The Netherlands  
T +31 (0)315 - 386 414  
E info@wanders.com  
I www.wanders.com