

**BOSKY**

**WOOD BURNING COOKERS AND BOILERS**

**(A+) Energy Rated**



**THERMOROSI**  
*Fire Lovers*

# Contents

BOSKY SQUARE-F30 CENTRAL HEATING COOKER .....	3
BOSKY SQUARE-30, CENTRAL HEATING BOILER .....	4
BOSKY COUNTRY-F30 evo CENTRAL HEATING COOKER .....	5
BOSKY COUNTRY 30 evo CENTRAL HEATING BOILER.....	6
ARDHEA-F evo 5 EASY CENTRAL HEATING COOKER .....	7
ARDHEA evo 5 CENTRAL HEATING BOILER STOVE.....	8
KLARETTA evo EASY WOOD BURNER COOKER .....	9
VIOLETTA evo WOOD BURNER COOKER .....	10
WARRANTY.....	11



*Established in an area renowned for its metalworking tradition, Thermorossi has been successfully working in the heating sector for more than 50 years.*

*Now, Thermorossi is one of the major European manufacturers of Wood, Pellet and Solar heating equipment.*

*To keep on top of a diverse range of heating products, Thermorossi invest heavily in the latest technology.*

*All manufactured products are constantly submitted for testing by leading European laboratories making sure of compliance with the strictest European Standards.*



# BOSKY SQUARE-F30 CENTRAL HEATING COOKER

**(A+) Energy Rated**

**Wood Burning**

**BOSKY**

**150mm flue diameter**

**Top or rear flue**

The rapidly adjustable fire grate can be moved through three different positions to adjust both the output of the appliance and the size of the combustion chamber.

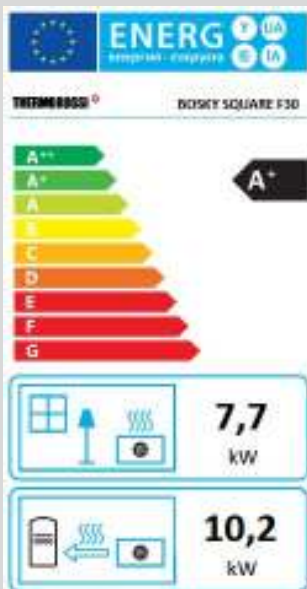
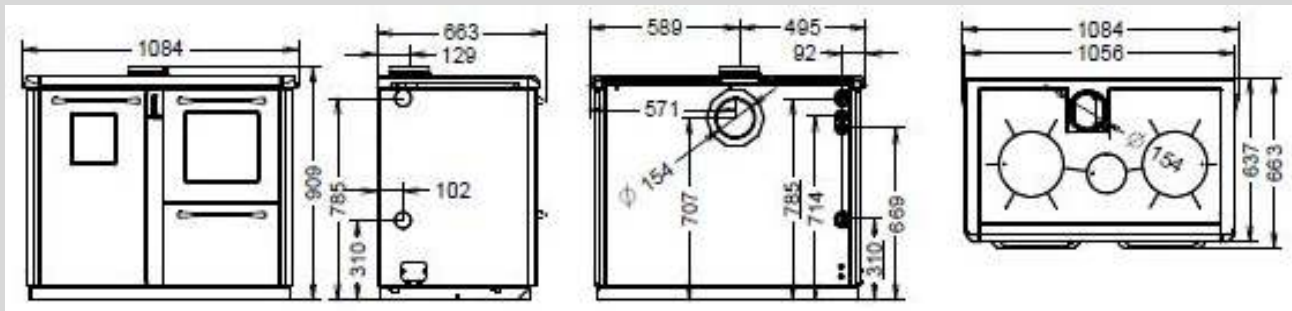
Adjustment is rapid via a lever situated behind the left hand door.

For maximum heat to water the grate is placed in the lowest position.

For maximum heat to the hotplate the grate is placed in its top position.



**Top or rear flue outlet**



- ❖ Adjustable, three position fire grate
- ❖ Cooking - Heating control lever
- ❖ Automatic thermostat control
- ❖ Boiler temperature gauge
- ❖ Pump on indicator light
- ❖ Anti-condensation thermostat
- ❖ Large combustion chamber H X W X D 430x420x430mm
- ❖ Large, removable ash pan
- ❖ Easy starting control
- ❖ Enamelled oven H x W x D 540x290x442mm
- ❖ Grill and dripping pan
- ❖ Bottom utensil and tool compartment
- ❖ Three enamel colours Gun Metal, Burgundy and Beige

WEIGHT	310 kg
HEATABLE AREA	161 m <sup>2</sup>
FLUE DIAMETER	150 mm
EFFICIENCY MAX	88.20%
OUTPUT MAX	20.3 kW
OUTPUT RATED	17.9 kW
OUTPUT WATER	10.2 kW
OUTPUT SPACE	7.7 kW
MAX WOOD CONSUMPTION	*4.8 kg /hour
MIN. FLUE VACUUM	13 pa



*\*Much higher outputs can be attained with larger fuel loads\**



# BOSKY SQUARE-30, CENTRAL HEATING BOILER

**(A+) Energy Rated**

**Wood Burning**



**150mm flue diameter  
Top or rear flue**

The rapidly adjustable fire grate can be moved through three different positions to adjust both the output of the appliance and the size of the combustion chamber.

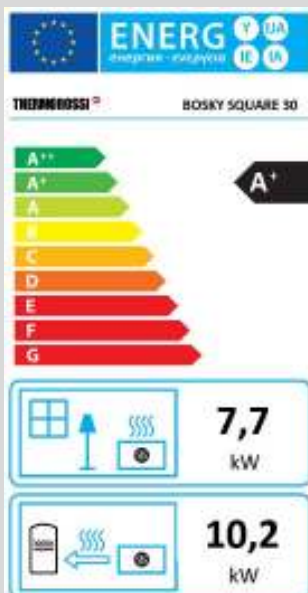
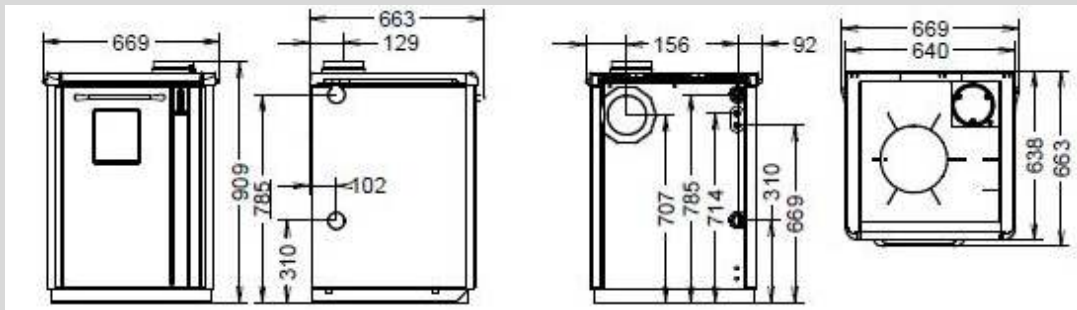
Adjustment is rapid via a lever situated behind the left hand door.

For maximum heat to water the grate is placed in the lowest position.

For maximum heat to the hotplate the grate is placed in its top position.

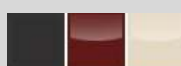


**Top or rear flue outlet**



- ❖ Adjustable, three position fire grate
- ❖ Automatic thermostat control
- ❖ Boiler temperature gauge
- ❖ Pump on indicator light
- ❖ Anti-condensation thermostat
- ❖ Large combustion chamber
- ❖ H X W X D 430x420x430mm
- ❖ Large, removable ash pan
- ❖ Three enamel colours Gun Metal, Burgundy and Beige

WEIGHT	221 kg
HEATABLE AREA	193 m <sup>2</sup>
FLUE GAS EXHAUST DIAMETER	150 mm
EFFICIENCY MAX	88,19%
OUTPUT MAX	20.3 kW
OUTPUT RATED	17.9 kW
OUTPUT WATER	10.2 kW
OUTPUT SPACE	7.7 kW
WOOD HOURLY CONSUMPTION MAX	4.8 kg/hour
MIN. FLUE DRAUGHT PRESSURE	13 pa



*\*Much higher outputs can be attained with larger fuel loads\**

# BOSKY COUNTRY-F30 evo CENTRAL HEATING COOKER

**(A+) Energy Rated**

**Wood Burning**



**150mm flue diameter**

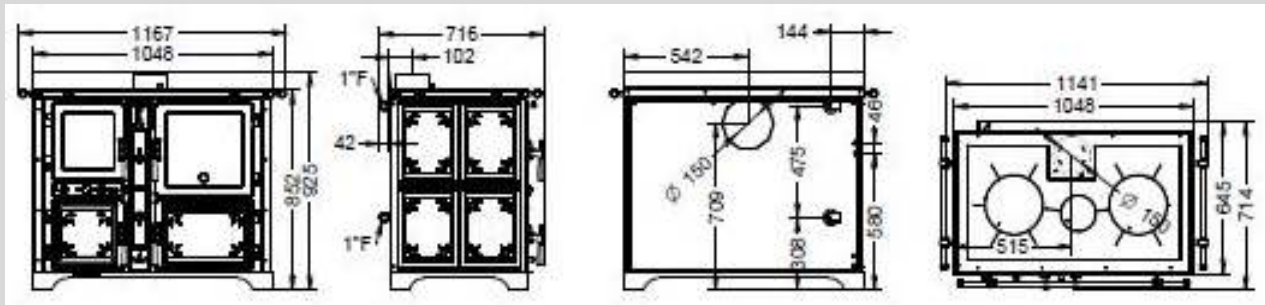
**Top or rear flue**



Illustration is of a Country Cooker with White, convex face, Vintage tiles



Country cookers and boilers can be ordered with either plain tiles called VINTAGE or flower patterned tiles called FIORI, see back page for illustration of Fiori Tile.



- ❖ Adjustable height fire grate via screw jack control
- ❖ Automatic thermostat control
- ❖ Boiler temperature gauge
- ❖ Pump on indicator light
- ❖ Anti-condensation thermostat
- ❖ Large combustion chamber H X W X D 430x420x430mm
- ❖ Large, removable ash pan
- ❖ Easy starting control
- ❖ Enamelled oven H x W x D 320x340x515mm
- ❖ Grill and dripping pan
- ❖ Lower left utensil and tool compartment
- ❖ Three enamel colours White, Beige and Burgundy and two patterns of tile Fiori or Plain Vintage

WEIGHT	335 kg
HEATABLE AREA	193 m <sup>2</sup>
FLUE DIAMETER	150 mm
EFFICIENCY MAX	88.20%
OUTPUT MAX	20.3 kW
OUTPUT RATED	17.9 kW
OUTPUT WATER	10.2 kW
OUTPUT SPACE	7.7 kW
WOOD HOURLY CONSUMPTION MAX	*4.8 kg/hour
MIN. FLUE DRAUGHT PRESSURE	13 pa

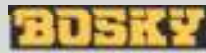


*\*Much higher outputs can be attained with larger fuel loads\**

# BOSKY COUNTRY 30 evo CENTRAL HEATING BOILER

**(A+) Energy Rated**

**Wood Burning**

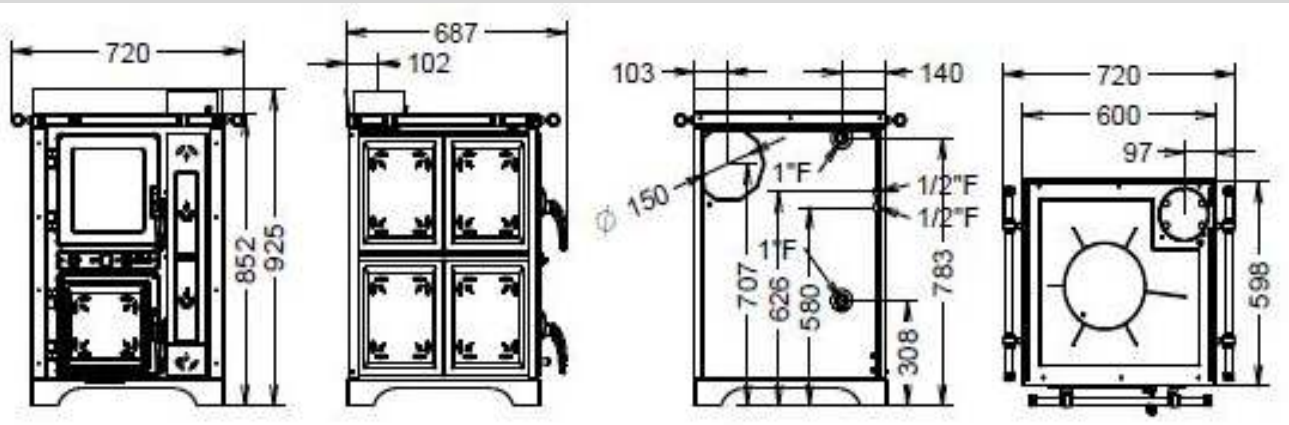


**150mm flue diameter**

**Top or rear flue**



Country cookers and boilers can be ordered with either plain tiles called VINTAGE or flower patterned tiles called FIORI, see back page for illustration of Fiori Tile.



ENERGY LABEL: THERMOBOSKY S.P.A. BOSKY COUNTRY F30 EVO. Rating: A+. Outputs: 7,7 kW and 10,2 kW.

- ❖ Adjustable height fire grate via screw jack control
- ❖ Automatic thermostat control
- ❖ Boiler temperature gauge
- ❖ Pump on indicator light
- ❖ Anti-condensation thermostat.
- ❖ Large combustion chamber H X W X D 430x420x430mm
- ❖ Large, removable ash pan
- ❖ Easy starting control
- ❖ Large cooking hot plate
- ❖ Three colours White, Beige or Burgundy and two patterns of tile Fiori or Plain Vintage



WEIGHT	221 kg
HEATABLE AREA	193 m <sup>2</sup>
FLUE GASEXHAUST DIAMETER	150 mm
EFFICIENCY MAX	88,2%
OUTPUT MAX	20.3 kW
OUTPUT RATED	17.9 kW
OUTPUT WATER	10.2 kW
OUTPUT SPACE	3.7 kW
WOOD HOURLY CONSUMPTION MAX	*4.8 kg/hour
MIN. FLUE DRAUGHT PRESSURE	13 pa

*\*Much higher outputs can be attained with larger fuel loads\**

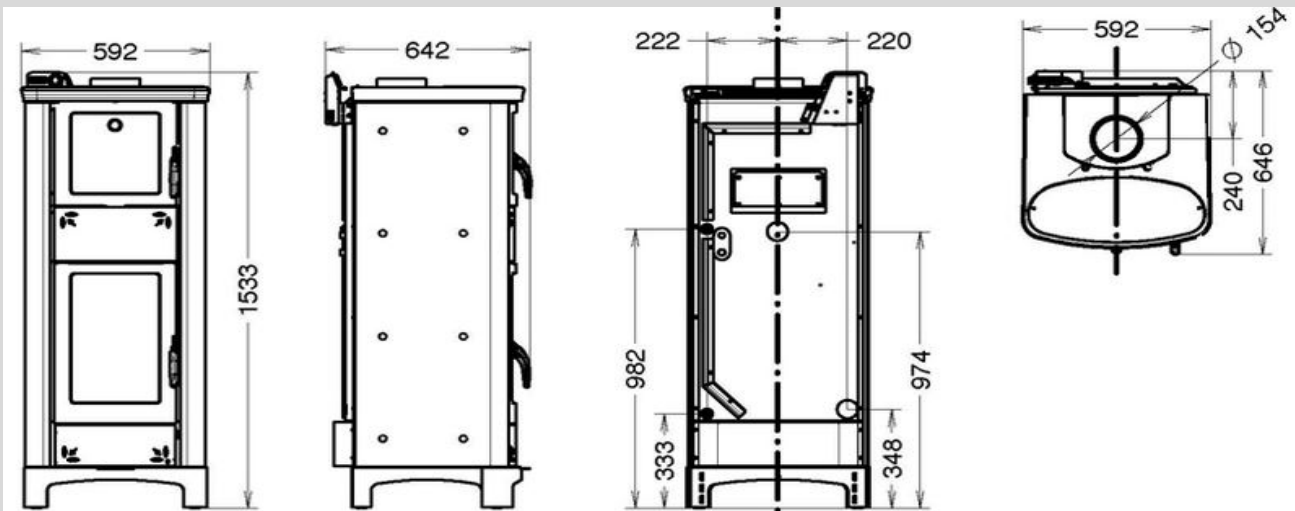
# ARDHEA-F evo 5 EASY CENTRAL HEATING COOKER

**(A+) Energy Rated**

**Wood Burning up to 16.4 kW**

**150mm flue diameter**

**Top or rear flue**



ENERG  
 THERMOMESSI  
 ARDHEA EVOS  
 A++  
 A+  
 A  
 B  
 C  
 D  
 E  
 F  
 G  
**A+**  
 4,1 kW  
 11,0 kW

- ❖ Full thermostatic water temperature control
- ❖ Boiler temperature gauge
- ❖ Pump on indicator light
- ❖ Anti-condensation thermostat
- ❖ Oven HxWxD 280x340x400mm
- ❖ Grill and dripping pan
- ❖ Large combustion chamber H X W X D 430x420x430mm
- ❖ Cool touch oven door handle
- ❖ Removable ash tray
- ❖ Three colours Burgundy, Sand and White

WEIGHT	300 kg
HEATABLE AREA	227 m <sup>2</sup>
FLUE DIAMETER (mm)	150 mm
EFFICIENCY MAX	92,2%
OUTPUT MAX	16.4 kW
OUTPUT RATED	15.1 kW
OUTPUT WATER	11 kW
OUTPUT SPACE	4,1 kW
WOOD HOURLY CONSUMPTION MAX	*3.8 kg/hour
MIN. FLUE DRAUGHT PRESSURE	13 pa



*\*Much higher outputs can be attained with larger fuel loads\**



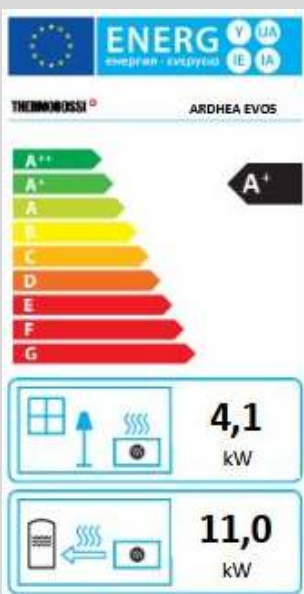
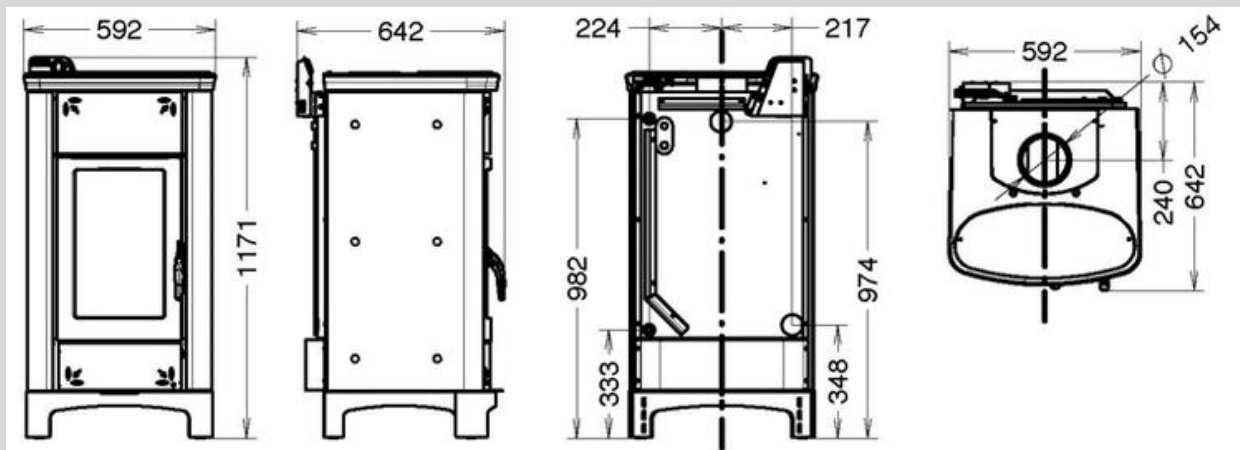
# ARDHEA evo 5 CENTRAL HEATING BOILER STOVE

**(A+) Energy Rated**

**Wood Burning up to 15.1 kW**

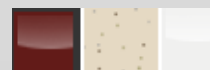
**150mm flue diameter**

**Top or rear flue**



- ❖ Full thermostatic water temperature control
- ❖ Boiler temperature gauge
- ❖ Pump on indicator light
- ❖ Anti-condensation thermostat
- ❖ Large combustion chamber
- ❖ H X W X D 430x420x430
- ❖ Cool touch door handle
- ❖ Large removable ash tray
- ❖ Three colours Burgundy, Sand and White

WEIGHT	300 kg
HEATABLE AREA	227 m <sup>2</sup>
FLUE GAS	
EXHAUST DIAMETER	150 mm
EFFICIENCY MAX	92,2%
OUTPUT MAX	16.4 kW
OUTPUT RATED	15.1 kW
OUTPUT WATER	11 kW
SPACE HEATING	4.1 kW
WOOD HOURLY CONSUMPTION	*3.8 kg/hour
MIN. FLUE DRAUGHT PRESSURE	13 Pa



*\*Much higher outputs can be attained with larger fuel loads\**



# KLARETTA evo EASY WOOD BURNING COOKER

**(A+) Energy Rated**

Wood Burning Cooker with no boiler, up to 8.2 kW output

Compact, stylish & feature packed

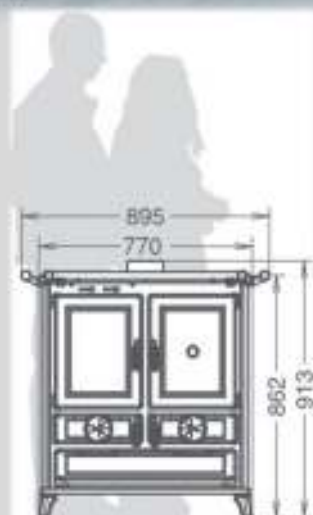
**Weight 166 kg**

**125 mm flue diameter**

**Top or rear flue**



product protected by design patent



See bottom of following page for more dimensions

- ❖ Top or rear flue position
- ❖ Primary and secondary air controls
- ❖ Direct draft control for easy starting
- ❖ Cast iron door frames and cast iron hob frame
- ❖ Cast iron hot plate and concentric cast iron rings
- ❖ Vitreous enamelled oven linings HxWxD 307 x 253 x 333mm
- ❖ Firebox size HxWxD 296 x 235 x 353mm, cast iron lined
- ❖ Fuel loading door sizes WH 214 x 273mm
- ❖ Stay cool door handles and lower, cast iron ash catcher
- ❖ Lower right food warming oven
- ❖ Bottom utensil and tool compartment
- ❖ Front rail and optional side rails
- ❖ Classic matt black paint finish, not enamelled
- ❖ **Weight 166 kg**

# VIOLETTA evo WOOD BURNING COOKER

## (A+) Energy Rated

Wood Burning Cooker with no boiler, up to 8.2 kW output.

Compact, stylish & feature packed with decorative ceramic or Soapstone tiles

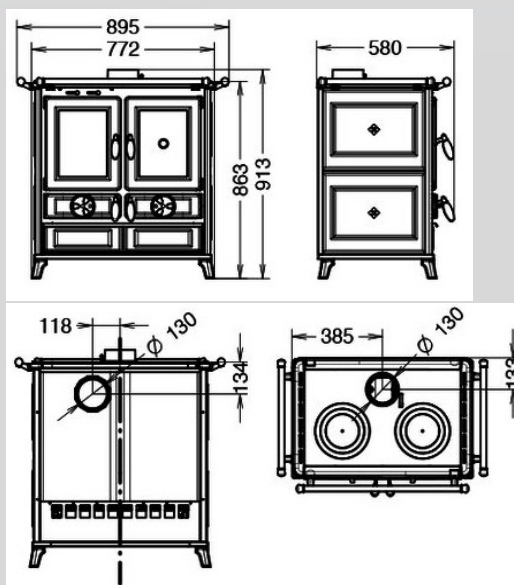
Weight 177 kg

125mm flue diameter

Top or rear flue



- ❖ Primary and secondary air controls
- ❖ Direct draft control for easy starting
- ❖ Cast iron door frames and cast iron hob frame
- ❖ Cast iron hot plate and concentric rings
- ❖ Vitreous enamelled oven linings HxWxD 307 x 253 x 333 mm
- ❖ Firebox size HxWxD 296 x 235 x 353mm, cast iron lined
- ❖ Fuel loading door sizes WxH 214 x 273mm
- ❖ Lower, cast iron ash catcher
- ❖ Lower right food warming oven
- ❖ Bottom utensil and tool compartment
- ❖ Front rail and optional side rails
- ❖ Two colours of decorative, glazed ceramic tiles Burgundy and Sand plus classic Grey Soapstone tile panels
- ❖ **Weight 177kg**



# WARRANTY

## WARRANTY TERMS FOR APPLIANCES WITH BOILERS.

Thermorossi products are manufactured with high quality materials in order to offer maximum reliability.

Warranty starts from sales invoice date and it is valid for a period of:

8 years for boiler body of appliances supplied with vitrified water jackets.

2 years for boiler body of models supplied with non-vitrified water jackets.

1 year for boiler body of models: SIRIO, TERNA, EURA STANDARD

1 year for electronic motherboards and electric features, all thermostats, electro-mechanical regulators.

Any eventual replacement or repair during warranty period does not extend the duration of the warranty period itself.

Invoice is the only valid document for the purchasing date, this document must be kept by the user.

In case that during stated warranty period some malfunctions or break will happen, the user must take charge of providing the dealer and the manufacturer with all the following details: Name, Contacts, Purchasing Date, Model details, Serial Number, malfunction or break details, plumbing and operation details.

Our stoves are manufactured with high quality materials in order to grant maximum reliability.

1 year for all electric and electronic parts (excluding transport damages, wrong operation damages, negligence, wrong fitting, unauthorized or DIY repairs)

## WARRANTY TERMS FOR APPLIANCES WITHOUT BOILERS.

2 years warranty on stoves range bodies, if following points are observed:

- Invoice is the only valid document for the purchasing date, this document must be kept by the user
- In case that during stated warranty period some malfunctions or break will happen, the user must take charge of providing the dealer and the manufacturer with all the following details: Name, Contacts, Purchasing Date, Model details, Serial No, malfunction or break details, plumbing and operation details. Authorized technical people will take care of inspecting the installation and the status of the unit and the malfunction.

## WARRANTY: EXCLUSIONS AND LIMITATIONS

- All parts damaged by transport or external cause.
- All parts and surfaces subjected to overheating.
- All parts considered to be consumable items such as anodes, seals, handles, grills, plastic or glass parts, lights, firebricks, cast iron parts, safety valves, temperature sensors, ignition elements etc.
- Firebricks and ceramics.
- All parts damaged by incorrect fitting or use such as gas or other liquid fuel supply systems, electrical supply systems, water supply systems, smoke extraction systems such as chimneys or draught regulators.
- All parts damaged or handled by unqualified people (including do it yourself service).
- All parts damaged by negligence or inadequate maintenance.
- All parts damaged by freezing or contaminated fuel
- All parts damaged by corrosion or galvanic oxidation, corrosion due to roaming currents etc.



## Retail Info

UK Distribution by Harworth Heating Ltd  
[www.harworthheating.co.uk](http://www.harworthheating.co.uk)

Issue no 2 29-06-22

