

 STOVAX

ELISE

FIRES AND FREESTANDING STOVES



The Future Of Fire...

Designing a fire that essentially redefines what it means to burn cleanly requires a wholly **fresh approach**, which is why the Stovax Elise is very different.

Featuring unique airflow dynamics that facilitate **high efficiency**, state of the art combustion systems, the Elise range of cassette and freestanding fires produces magnificent rolling flames and ample warmth. **Lowering emissions** to an absolute minimum in comparison with open fires and older stoves, their progressive design makes them not only some of today's cleanest burning fires, but also compliant with future Ecodesign low emission standards.

The sum of over **38 years of British design and engineering**, the Elise is a **contemporary fire range** at the pinnacle of **solid fuel heating performance**.



Cover Image: Elise Glass 680 woodburning with 4 sided Profil frame







The Elise

Peace of Mind	06
Designed For Our Environment	08
Precision Performance	10
Elise Size Options	12
Individual Styling	13
Elise Edge	14
Elise Edge+	16
Elise Profil	18
Freestanding Elise 680 Glass	20
Freestanding Elise 680 Steel	22
Technical Information - Cassette Fires	24
Technical Information - Freestanding Stoves ...	26
Exceeding Ecodesign	28
Additional Information	30

VIEW THE VIDEO

To experience the Elise range's superb flame visuals and elegant styling, view our short showcase video at www.stovax.com/elise. Alternatively you can visit your local expert retailer.



Peace Of Mind

Choosing a fire for your home shouldn't be complicated. We want you to enjoy the excitement and anticipation from the moment you pick up this brochure to the first time you light your kindling, and for many years after! That's why we have carefully selected Expert Retailers to help you.

EXPERT RETAILER NETWORK

We take great care to ensure that our fires and stoves are designed, tested and manufactured to the highest possible quality and safety standards. It is just as important to us that they are sold and installed correctly so that you enjoy years of pleasure from your purchase.

Accordingly, you will find our products are only available from experienced, independent retailers who will be happy to show you a selection of models locally in their showrooms, often fully operational. These independent retailers will discuss your individual requirements both technical (such as sizing the heat output to your room and advising on your chimney system) and visual, ensuring you select the most appropriate product for your home. They will also be able to advise on, or assist with, the installation process and help provide any after-sales support as well as servicing that your appliance may require in the future.

Whilst we encourage our retailers to promote fireplace products and their outlets via the internet, we do not believe suitable levels of customer care and satisfaction can be obtained from purchasing the product only online. We would strongly recommend that you consider this when undertaking your research and making a purchasing decision. Furthermore, please be aware that we do not offer technical support (beyond our statutory responsibilities) to products bought via nationwide online sales, where this support would normally be offered by one of our qualified, independent retailers.

FIND YOUR RETAILER

You can find your nearest retailer by visiting:
www.stovax.com/find-a-retailer



EXTENDED WARRANTY



When you choose an Elise fire or stove, quality and technology are assured. Accordingly, when you purchase your new fire from a Stovax Expert Retailer they will provide you with a Two Year Warranty. This can then be extended to a Five Year Warranty provided your Elise is registered with Stovax. Fires purchased outside Stovax's Expert Retailer Network will carry a standard One Year Warranty. By registering your fire you will be automatically entered into a prize draw where you can win the cost of the product back. Further details of this warranty are on page 31.



Designed For Our Environment

ECODESIGN READY STOVES & FIRES

We have always strived to create standout stoves and fires that not only provide superior flame visuals, but also minimise our environmental impact. Our advanced Cleanburn technology is the result of 38 years of experience and development, with many of our products approved for use in urban environments which are typically DEFRA smoke restricted areas.

However, producing DEFRA exempt appliances was only the beginning. New Ecodesign regulations are coming into force in 2022 to ensure stoves and fires burn with high efficiency and low emissions.

With this in mind, we have developed the Elise range to not only meet Ecodesign limits, but to go much further. Some models in the range burn so cleanly that emissions are minimised to as little as a fifth of the forthcoming 2022 requirements.

The Elise's advanced combustion system isolates air management in the specially designed base of the fire, so that airflow is calibrated precisely to ensure a far more complete burning process than standard fires can ever achieve. The result is significantly less flue gases that impact air quality, including Carbon Monoxide (CO), Nitrogen Oxide (NOx), Organic Gaseous Compounds (OGC), and Particulate Matter (PM).

We believe this is the future of solid fuel heating, which is why we offer the largest range of Ecodesign stoves and fires in the UK and Ireland.



THE BENEFITS OF WOODBURNING

Unlike fossil fuels, wood releases approximately the same amount of carbon into the atmosphere as that absorbed during its growth, making it a virtually carbon neutral heat source.

Choosing one of our high efficiency low emission Elise fires is a great step towards burning responsibly. To ensure your fire provides optimum heating performance, only wood with a low moisture content should be burnt. Seasoned logs should be allowed to dry for at least two years or more to achieve a moisture content below 20%, which can be easily checked with a moisture meter. When purchasing seasoned or kiln dried wood, look for the Woodsure "Ready to Burn" certification which guarantees logs will have less than 20% moisture.

Good quality dry wood will not only provide a higher heat output than that of freshly felled timber, it will also avoid a build-up of tar in your flue and ensure low smoke emissions with clean and crisp flames.



ENCOURAGING SUSTAINABLE WOODLAND

We are working with Certainly Wood, our recommended Woodsure "Ready to Burn" fuel supplier, who pride themselves on making an impact on environmental targets by championing sustainability.

When you register your new Elise, the Stovax Heating Group and Certainly Wood will jointly fund the planting of a tree. For more information, see page 31.

Our goal is to plant up to 10,000 new trees each year to make a tangible contribution to sustainable woodland creation.



WOOD OR SMOKELESS FUEL

All Elise fires and stoves, including multi-fuel versions, are designed to burn wood with high efficiency. Elise cassette models are available in both dedicated woodburning versions and multi-fuel versions, which will allow you to burn either logs or smokeless fuel to suit your lifestyle.

SMOKE CONTROL AREA APPROVAL

Many town and city homes are located in DEFRA Smoke Control Areas as designated by the 1993 Clean Air Act. The Elise range has been approved for the burning of wood in these areas, meaning that even the most urban of homes can benefit from this natural fuel source.



CE MARKED & HETAS ACCREDITED

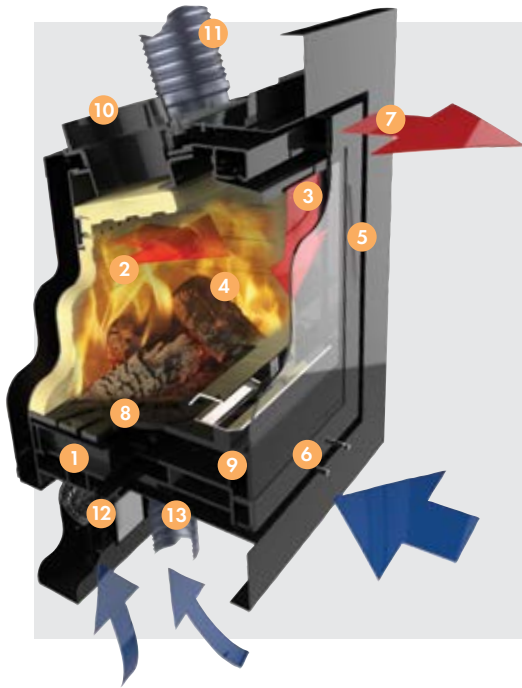
All stoves and fires in the Elise range are CE Marked. This means they have been independently tested to exacting European standards for both heating efficiency and emissions. In addition, they have also been accredited by HETAS, the UK's official body recognised by the government to approve solid fuel domestic heating appliances.



Precision Performance



Every Stovax stove and fire is characterised by a precise balance of efficiency, performance and user control. The Elise is the result of these elements being taken to new levels, to create a solid fuel fire at the forefront of innovation. Utilising a series of advanced plenum chambers coupled with powerful air jets, airflow is instantly adjusted and delivered with precision accuracy to multiple areas of the tapered firebox. This technology facilitates the Elise's Ecodesign combustion process which reduces emissions to remarkably low amounts whilst maintaining high levels of thermal efficiency. The Elise's design also means they are DEFRA smoke control zone exempt, making them an excellent choice for rural and urban homes alike.



ELISE KEY DESIGN FEATURES

1. Unique plenum chambers manage exactly calibrated airflows
2. Air jets deliver precision airflow for optimal burning conditions
3. Powerful Airwash ensures a clear view of flames
4. Scalloped, high density thermal brick liner system
5. Airtight door with twin latch dampened mechanism for easy closing
6. Easy to use air controls for instant adjustment of flame visual and heat
7. Convected and radiant heat delivery
8. External riddling grate (multi-fuel cassette models)
9. Removable ashpan (multi-fuel cassette models)
10. Top or rear exit
11. Warm air ducting kit (optional)
12. Fan assisted convection kit (optional)
13. Sealed external air supply (optional)
14. Optional plinth (Freestanding models only, not shown)



SEALED EXTERNAL AIR SUPPLY

Designed from conception to be airtight, Elise fires can be optionally installed with a dedicated external air supply, meaning the fire does not need to draw any oxygen from the room. This potentially negates the need for an additional air vent, therefore minimising drafts.



FAN ASSISTED CONVECTION KIT

Installing an optional fan kit with your Elise fire helps circulate convection air, increasing burning efficiency and improving heat delivery into the room. With both manual and automatic settings, the fan kit is conveniently operated by the Elise Control Panel.

WARM AIR DUCTING KIT

With the addition of the warm air ducting kit, Elise fires are capable of heating up to two additional living spaces, allowing you to truly make the most of your fire and reduce your reliance on your central heating system.



Freestanding Elise Glass 680 multi-fuel burning logs on 140 Low Bench (500mm deep)

Elise Size Options

The Elise's choice of sizes and heat outputs lets you easily select the fire that suits your heating requirements. Once you have decided on the size and type of your Elise, you can then choose how to style your fire to suit your home, with various options including door fronts and cassette fire frames listed overleaf. This brochure is divided into cassette fires (pages 14 – 19), organised by frame style, and the Freestanding 680 fires (pages 20 – 23).

SIZE CHOICES

ELISE 540

ELISE 680

Heat Output	Nominal: 5kW Range: 3-7kW	Nominal: 7kW-8kW* Range: 4-11kW
Energy Efficiency Class	A+	A
Maximum Efficiency	83%	79%
Wood & Multi-fuel models	✓	✓
Smoke Control Exempt	✓	✓
Maximum Log Length	330mm	500mm
Recommended Log Length	250mm	330mm
Firebox Dimensions (w x h x d)	540 x 550 x 350mm	680 x 550 x 395mm
Flue Connection (internal diameter)	153mm (6")	153mm (6")
Freestanding model available	-	✓
Room vent not normally required*	✓	-

*For further fire information including room vents, please see page 24.



ELISE 540



ELISE 680



Elise Glass 680 multi-fuel burning logs with Four Sided Edge+ Frame

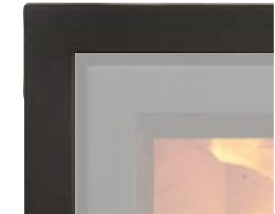
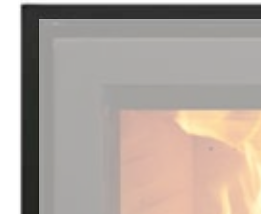


Individual Styling

CASSETTE FRAMING CHOICES

Elise cassette fires are presented in a variety of framing styles including four sided frames for elevated installations, and three sided frames for hearth mounted installations. Shown in detail throughout the cassette section of this brochure, these frames illustrate the different ways your Elise fire can be styled. Using the Edge kit that comes with the fire, Elise cassettes can also be installed without a frame for a minimalist hole-in-the-wall look.

EDGEP14 EDGE+P16 PROFILP18



THREE OR FOUR SIDED FRAMES



STEEL

GLASS

GLASS OR STEEL DOORS

All Elise fires and stoves can be selected as either Glass or Steel versions depending on your tastes. For a striking aesthetic, the Elise Glass models offer a sleek black glass door which dramatically contrasts with the fire's stunning flame visuals.

Elise Edge

 [View the Video](http://www.stovax.com/elise)
www.stovax.com/elise



Elise Steel 540 multi-fuel Edge burning logs.
Also shown: Stovax Highline Log Store

Capturing minimalist styling and clean modernity, the frameless Edge integrates with your surrounding décor, creating a breathtaking hole-in-the-wall focal point.

	Nominal Heat Output & Range	Recommended Log Length	Maximum Log Length	Edge Dimensions (w x h)
Elise 540	5kW (3-7kW)	250mm	330mm	530 x 550mm
Elise 680	7kW-8kW* (4-11kW)	330mm	500mm	670 x 550mm

*For further fire information see page 24.



Elise Glass 680 Edge woodburning. Shown with Stovax Small Curved Log Holder



Elise Steel 540 woodburning with Four Sided Edge+ Frame.
Also shown: Stovax Contemporary Fire Tools and Wall Bracket.

Elise Edge+

 [View the Video](http://www.stovax.com/elise)
www.stovax.com/elise



Elise Glass 680 woodburning with Three Sided Edge+ Frame.

Offering increased flexibility, the Edge+ continues the minimalist styling of the original Edge design but allows for easier finishing.

Available in both 3 sided and 4 sided versions, the Edge+ adds an extremely narrow trim which overlays the finished wall surface, preserving the hole-in-the-wall style and creating a clean border around both Elise sizes.

See page 25 for additional image.

	Nominal Heat Output & Range	Recommended Log Length	Maximum Log Length	3 Sided Edge+ Dimensions (WxHxD)	4 Sided Edge+ Dimensions (WxHxD)
Elise 540	5kW (3-7kW)	250mm	330mm	571 x 569 x 3mm	571 x 588 x 3mm
Elise 680	7kW-8kW* (4-11kW)	330mm	500mm	711 x 569 x 3mm	711 x 588 x 3mm

*For further fire information see page 24.



Elise Profil

 [View the Video](http://www.stovax.com/elise)
www.stovax.com/elise



Elise Steel 540 woodburning with Three Sided Profil Frame. Also shown Stovax Large Radius Log Holder.



With its subtle styling and sophisticated Metallic Black finish, the Profil frame complements the Elise's clean, elegant lines and fits effortlessly with almost any interior.

This adaptable frame is available in both three sided and four sided options, allowing for either hearth mounted or elevated installations.

See pages 4, 7, 30 and Front Cover for additional images.

	Nominal Heat Output & Range	Recommended Log Length	Maximum Log Length	3 Sided Profil Dimensions (WxHxD)	4 Sided Profil Dimensions (WxHxD)
Elise 540	5kW (3-7kW)	250mm	330mm	631 x 599 x 38mm	631 x 648 x 38mm
Elise 680	7kW-8kW* (4-11kW)	330mm	500mm	771 x 599 x 38mm	771 x 648 x 38mm

*For further fire information see page 24.



Freestanding Elise 680 Glass



Freestanding Elise Glass 680 woodburning on 140 Low Bench (500mm deep)

Featuring an expansive viewing window for a spectacular flame picture, the Freestanding 680 offers a powerful 7kW of heat output in an eye-catching, landscape form. This versatile woodburning stove has the option of either a lustrous black Glass (pictured) or Steel front (pages 22 - 23) and can be hearth mounted or styled with a matching plinth or stove bench.

	Nominal Heat Output & Range	Recommended Log Length	Maximum Log Length	Dimensions (w x h x d)
Elise 680	7kW* (4 - 11kW)	330mm	500mm	683 x 560 x 440mm

* For further fire information see page 27.



[View the Video](http://www.stovax.com/elise)
www.stovax.com/elise

Freestanding Elise 680 Steel



Freestanding Elise Steel 680 woodburning

The Freestanding Elise 680 woodburning fires offer all the range's signature heating performance in a stylish stove format. Available in either Glass (pages 20 - 21) or Steel fronted options, the Steel (pictured) features a subtle metallic black door frame that matches the optional plinth base or bench mounting options.

See pages 26 and back cover for additional image.

	Nominal Heat Output & Range	Recommended Log Length	Maximum Log Length	Dimensions (w x h x d)
Elise 680	7kW* (4 - 11kW)	330mm	500mm	683 x 560 x 440mm



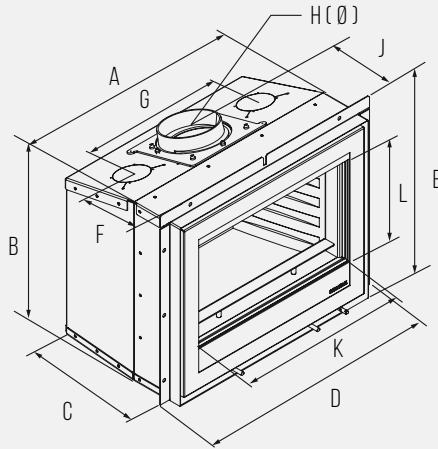
[View the Video](http://www.stovax.com/elise)
www.stovax.com/elise

* For further fire information see page 27.

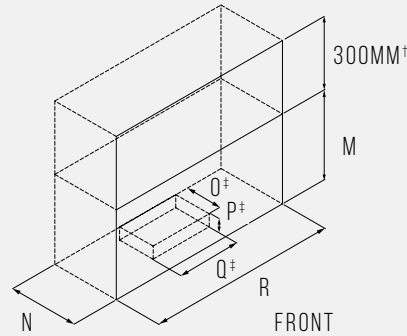


Technical Information - Cassette Fires

CASSETTE DIMENSIONS



OPENING DIMENSIONS



	ELISE 540	ELISE 680
A	540mm	680mm
B	550mm	550mm
C	350mm	395mm
D	604mm	744mm
E	588mm	588mm
F	203mm	250mm
G	380mm	440mm
H (Ø)	153mm	153mm
J	205mm	250mm
K (Flame Viewing Area)	398mm	538mm
L (Flame Viewing Area)	320.5mm	317.5mm
M	570mm	570mm
N	360mm	405mm
O	100mm †	100mm †
P	250mm †	250mm †
Q	365mm †	365mm †
R	560mm	700mm

† Extra height required when fitting Warm Air Ducting kit.

‡ Not applicable unless a fan kit is required.

ELISE CASSETTE FIRE INFORMATION & PRODUCT CODES

Product Code	Description	Heat Output	Fuel Type	Efficiency	Energy Efficiency Class
ELS-540-W	Elise Steel 540 Woodburning ✓	5.0kW	Wood	81%	A+
ELS-540-MF	Elise Steel 540 Multi-fuel ✓	5.0kW	Multi-fuel	83%	A+
ELS-680-W	Elise Steel 680 Woodburning ✓	7.0kW	Wood	77%	A
ELS-680-MF	Elise Steel 680 Multi-fuel ✓	8.0kW	Multi-fuel	79%	A
ELS-540-GLW	Elise Glass 540 Woodburning ✓	5.0kW	Wood	81%	A+
ELS-540-GLMF	Elise Glass 540 Multi-fuel ✓	5.0kW	Multi-fuel	83%	A+
ELS-680-GLW	Elise Glass 680 Woodburning ✓	7.0kW	Wood	77%	A
ELS-680-GLMF	Elise Glass 680 Multi-fuel ✓	8.0kW	Multi-fuel	79%	A

✓ Elise fires with this symbol have been approved for use in Smoke Control Area when fitted with the supplied kit

A HETAS approved installer should undertake a site survey prior to purchase and must install any Elise Fire. Your Stovax retailer will be able to advise on this and, in particular, the use of high temperature (1300°C) plaster/screed in the area around Elise Cassettes. You may view/download complete installation instructions at our website - www.stovax.com.

These diagrams cover some of the basic requirements and are for initial information purposes only. All fires and stoves should be installed by a competent person to the requirement of Building Regulations (Document J) and include the fitting of adequate ventilation to ensure safe use. Usually older buildings do not need any additional ventilation for appliances up to 5kW, but modern houses will need additional ventilation in all cases. Some models can be fitted with a dedicated external air supply, offering a discreet and draught reducing solution to standard room venting.

Frame Information

Supplied as an Edge, each model can also be upgraded with the frame options below.

ELISE 540 FRAME DIMENSIONS (MM) & PRODUCT CODES

Product Code	Description	Width	Height	Depth
ELS-540-FEPLUS3	Edge+ (3 Sided)	571	569	3
ELS-540-FEPLUS4	Edge+ (4 Sided)	571	588	3
ELS-540-FPRO3B	Profil (3 Sided)	631	599	38
ELS-540-FPRO4B	Profil (4 Sided)	631	648	38

ELISE 680 FRAME DIMENSIONS (MM) & PRODUCT CODES

Product Code	Description	Width	Height	Depth
ELS-680-FEPLUS3	Edge+ (3 Sided)	711	569	3
ELS-680-FEPLUS4	Edge+ (4 Sided)	711	588	3
ELS-680-FPRO3B	Profil (3 Sided)	771	599	38
ELS-680-FPRO4B	Profil (4 Sided)	771	648	38

ELISE CASSETTE FIRE ACCESSORY PRODUCT CODES

Product Code	Description
ELS-ABASE-SM	Outside Air Kit - Base Fitting - Elise 540†
ELS-AREAR-SM	Outside Air Kit - Rear Fitting - Elise 540
ELS-ABASE-LG	Outside Air Kit - Base Fitting - Elise 680†
ELS-AREAR-LG	Outside Air Kit - Rear Fitting - Elise 680
RVST-500FAN	Fan Assisted Convection Kit - Elise 540*
8572	Warm Air Ducting Kit - suitable for all Elise fires

* Fan Assisted Convection Kits NOT suitable for hearth mounted installations.

† An outside Air Kit with Base Fitting must be used when the fire is also fitted with a Fan Assisted Convection Kit.



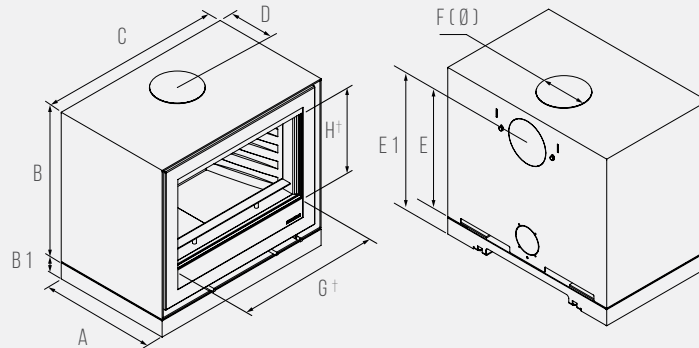
Elise Glass 680 woodburning with Four Sided Edge+ Frame



Technical Information - Freestanding Stoves

FREESTANDING ELISE STOVE DIMENSIONS (MM)

	680
A	440
B	560
B1*	65
C	683
D	164.5
E	451
E1*	516
F (Ø)	152
G†	538
H†	317.5



† Flame Viewing Area. The raised log bar on multi-fuel models reduces the height of the flame viewing area by 25mm.

*with optional plinth

FREESTANDING ELISE STOVE ACCESSORY PRODUCT CODES

Product Code	Description
ELSF-680-PS	Freestanding Elise 680 Plinth
ELS-ABASE-LG	Elise 680 Outside Air Base Exit
ELS-AREAR-LG	Elise 680 Outside Air Rear Exit

FREESTANDING ELISE STOVE BENCHES

Product Code	Product	W (mm)	H (mm)	D (mm)
RVACLB120BHT-DP	Bench 120 Low, (500mm Deep)	1200	250	500
RVACB120BHT-DP	Bench 120 High (500mm Deep)	1200	350	500
RVACLB140BHT-DP	Bench 140 Low, (500mm Deep)	1400	250	500
RVACB140BHT-DP	Bench 140 High, (500mm Deep)	1400	350	500
RVACLB180BHT-DP	Bench 180 Low, (500mm Deep)	1800	250	500
RVACB180BHT-DP	Bench 180 High, (500mm Deep)	1800	350	500

FREESTANDING ELISE STOVE INFORMATION & PRODUCT CODES

Product Code	Description	Heat Output	Fuel Type	Efficiency	Energy Efficiency Class
--------------	-------------	-------------	-----------	------------	-------------------------

FREESTANDING ELISE GLASS

ELSF-680-GLW	Freestanding Elise Glass 680 Woodburning	7.0kW	Wood	77%	A
--------------	--	-------	------	-----	---

FREESTANDING ELISE STEEL

ELSF-680-W	Freestanding Elise Steel 680 Woodburning	7.0kW	Wood	77%	A
------------	--	-------	------	-----	---

A HETAS approved installer should undertake a site survey prior to purchase and must install any Freestanding Elise Stove. You may view/download complete installation instructions at our website - www.stovax.com. These diagrams cover some of the basic requirements. All fires and stoves should be installed by a competent person to the requirement of Building Regulations (Document J) and include the fitting of adequate ventilation to ensure safe use. Usually older buildings do not need any additional ventilation for appliances up to 5kW, but modern houses will need additional ventilation in all cases. All models can be fitted with an optional dedicated external air supply, offering a discreet and draught reducing solution to standard room venting. It is important to understand and comply with any additional commissioning requirements when this kit is fitted. The diagrams and dimensions on these pages cover some of the basic requirements and are for initial information purposes only.

Elise fires with this symbol have been approved for use in Smoke Control Areas when fitted with the supplied kit



Bench 120 Low, (500mm Deep)
(RVACLB120BHT-DP)



Bench 180 Low, (500mm Deep)
(RVACLB180BHT-DP)



Bench 120 High (500mm Deep)
(RVACB120BHT-DP)



Bench 180 High, (500mm Deep)
(RVACB180BHT-DP)



Bench 140 Low, (500mm Deep)
(RVACLB140BHT-DP)

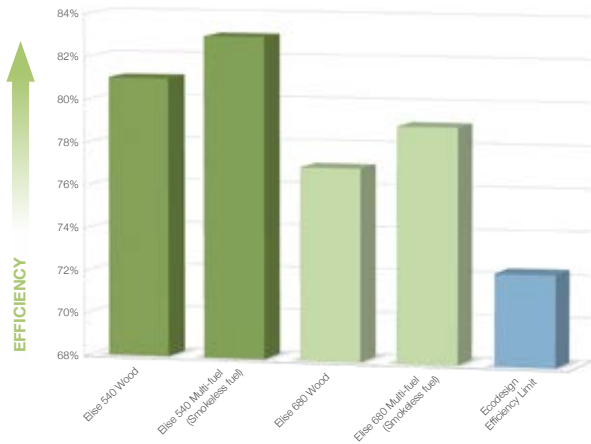


Bench 140 High, (500mm Deep)
(RVACB140BHT-DP)

Exceeding Ecodesign

TOTAL EFFICIENCY - %

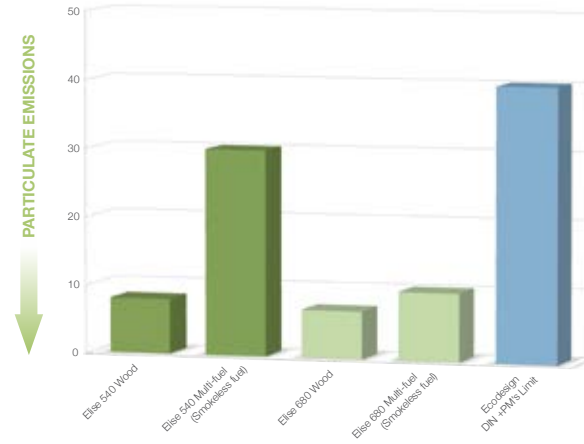
Balancing a fire's efficiency with cleanliness of burning is a precise science, requiring expert craftsmanship and meticulous testing. All Elise stoves and fires focus on delivering the cleanest burn possible whilst still surpassing the 2022 Ecodesign Efficiency target of 72.3%.



	Efficiency
■ Elise 540 - Woodburning model	81%
■ Elise 540 - Multi-fuel model*	83%
■ Elise 680 - Woodburning model	77%
■ Elise 680 - Multi-fuel model*	79%
■ Ecodesign 2022 Efficiency Minimum Target	72.3%

PM (PARTICULATE MATTER) mg/m³

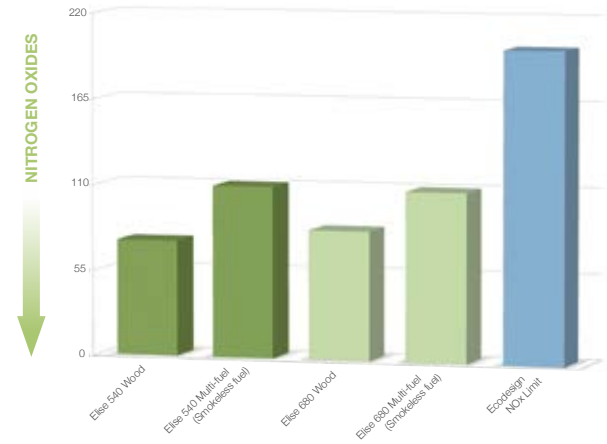
Although PMs are currently measured for UK smokeless zone requirements, the Ecodesign emission levels will be much tighter than those currently permitted for smokeless zones. Elise stoves and fires burn well below future PM targets, with the Elise 540 generating only a fifth of the emissions permitted under Ecodesign.



	mg/m ³
■ Elise 540 - Woodburning model	8
■ Elise 540 - Multi-fuel model*	30
■ Elise 680 - Woodburning model	7
■ Elise 680 - Multi-fuel model*	10
■ Ecodesign 2022 Efficiency Minimum Target	40

NO_x (NITROGEN OXIDES) mg/m³

Nitrogen oxides affect air quality and are on emission requirement under Ecodesign. All models in the Elise range demonstrate NO_x emissions so low, they are less than 60% of the amount permitted by the proposed 2022 limits, demonstrating the Elise range's extraordinary burning performance.

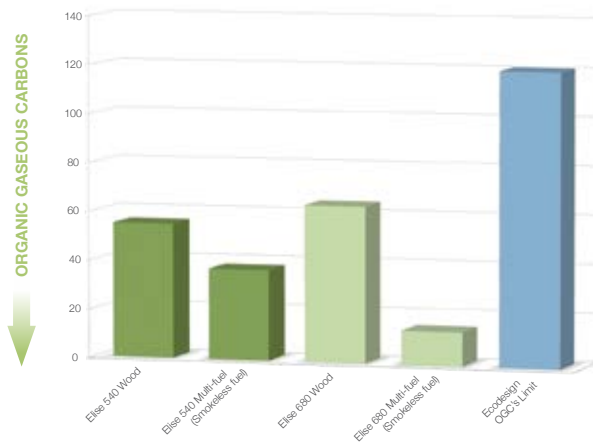


	mg/m ³
■ Elise 540 - Woodburning model	74
■ Elise 540 - Multi-fuel model*	110
■ Elise 680 - Woodburning model	83
■ Elise 680 - Multi-fuel model*	109
■ Ecodesign 2022 Efficiency Minimum Target	200

*Multi-fuel model figures quoted burning smokeless fuel

OGCs (ORGANIC GASEOUS COMPOUNDS) mg/m³

OGCs are also an important requirement of the forthcoming 2022 Ecodesign standard. And all models in the Elise range fall well below these exacting emission targets.

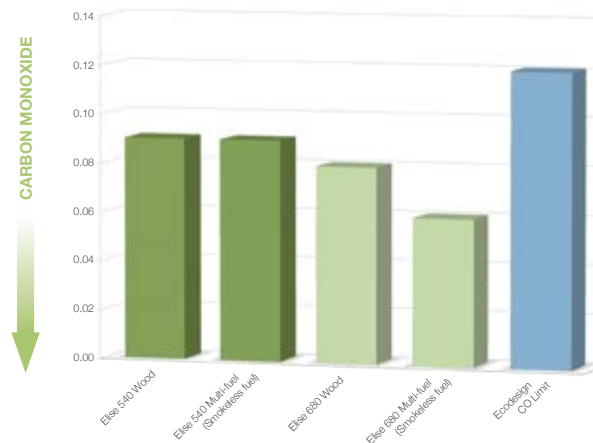


	mg/m ³
Elise 540 - Woodburning model	55
Elise 540 - Multi-fuel model*	37
Elise 680 - Woodburning model	64
Elise 680 - Multi-fuel model*	14
Ecodesign 2022 Efficiency Minimum Target	120

*Multi-fuel model figures quoted burning smokeless fuel

CO (CARBON MONOXIDE) % @ 13% O₂

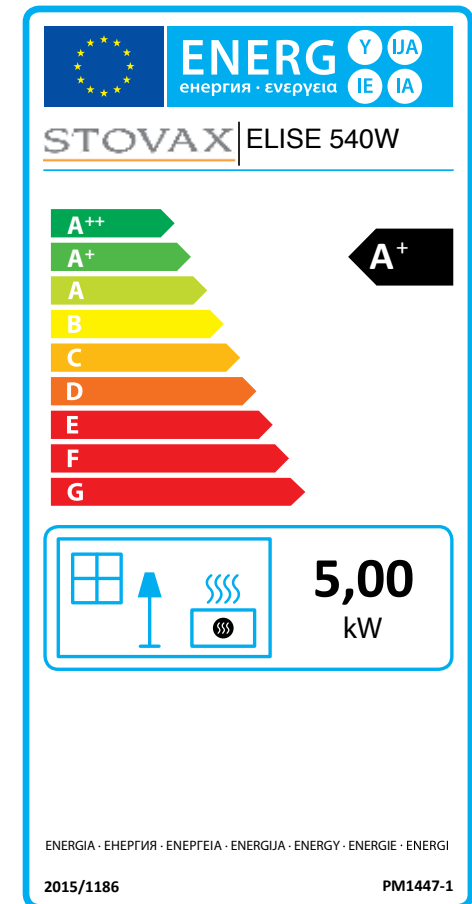
Ecodesign limits are set to dramatically reduce the current UK Carbon Monoxide emission limits by a massive 88%, from 1% @ 13% O₂ to 0.12%. All Elise models, again meet this stringent forthcoming standard.



	% at 13% O ₂
Elise 540 - Woodburning model	0.09
Elise 540 - Multi-fuel model*	0.09
Elise 680 - Woodburning model	0.08
Elise 680 - Multi-fuel model*	0.06
Ecodesign 2022 Efficiency Minimum Target	0.12

ENERGY EFFICIENCY RATING

Elise woodburning and multi-fuel fires and stoves burn with high thermal efficiency. All models in the range are subject to European energy labelling standards and are rated as either A or A+ energy class appliances. For individual product information, see page 12.



Additional Information

PHOTOGRAPHY AND INSTALLATION

Due to variations in studio lighting and printing inks, the finishes/colours of fires illustrated in this brochure may differ slightly from actual models. Before purchasing, please ask your retailer to show you finish/colour samples.

All of the flame pictures shown in this brochure are taken from real fires. Please note however that flame pictures will vary depending on the exact fuel used, flue conditions and surrounding geographical features. Given that building regulations are subject to constant change, some of the photography in this brochure may not comply with the requirements of the latest building regulations and you should always check your proposed installation arrangement with your HETAS trained installer before proceeding.

When designing your own installation, please also observe the minimum distance to combustible materials as stated in the installation instructions.

Stovax pursues a policy of continuous product improvement, therefore, whilst our products are correct at the time of the photography, we reserve the right to make alterations and amendments. Exact product details should be discussed with your retailer at the time of purchase.

The 'Nominal' heat output is to be used for calculating the ventilation provision as required by ADJ Building Regulations and for calculating its suitability for heating the size of room it will be fitted into. The heat output 'Range' is to be used as a guide only as the maximum and minimum performance will depend on local conditions such as flue pull, fuel quality and the way in which the product is used.

IMPORTANT SAFETY INFORMATION

Please note that all parts of these fires, particularly the glass panel in the door, become extremely hot during operation and can result in serious injury and burns if touched. It is therefore recommended that a fireguard complying with BS 8423:2002 is used in the presence of young children, the elderly or infirm. In addition, by law all installations also require a Carbon Monoxide monitor (such as product code 3045 available from Stovax).



EXTENDED WARRANTY

When you choose a Stovax Elise stove or fire, quality and technology are assured. Accordingly, your Stovax Expert Retailer will provide you with a two year warranty for your new appliance. This can then be extended to a five year warranty, provided it is registered with Stovax. Please note, these warranties exclude certain consumable parts. Fires purchased outside of Stovax's Expert Retailer Network will carry a standard one year non-extendable warranty.



When you register your fire you will be automatically entered into a prize draw where you can...

...WIN THE COST OF
YOUR PRODUCT BACK.

Full warranty and prize draw terms & conditions are available to view at www.stovax.com.

PROFESSIONAL XQ™ CHIMNEY SYSTEMS

Stovax also offers a comprehensive range of stove & fireplace chimney systems, the Stovax Professional XQ™ collection. Made from 304L grade stainless steel for a durable outer finish, the fully sealed components offer water tight protection for the insulation within. With innovative decorative options, the ability to specify a colour for your system and with a host of technical advancements such as their Twist-Lock system, the Professional XQ™ range provides an attractive, versatile and reliable solution for your flue system. Furthermore, the Professional XQ™ range carries a 10 year conditional warranty offering complete peace of mind. For further information, please speak to your retailer or visit www.stovax.com/chimneysystems.



Register your fire and we'll plant a tree...

We are working with our recommended British Woodsure "Ready to Burn" fuel supplier Certainly Wood to encourage sustainable woodland creation. For every stove or fire registered for our Extended Warranty in the UK*, the Stovax Heating Group and Certainly Wood will jointly fund the planting of a tree as part of our #GreenBritain campaign. Our goal is to plant 10,000 new trees each year in Britain.

Find out more at stovax.com/GreenBritain





Freestanding Elise Steel 680 woodburning with plinth.
Shown with large curved log holder from Stovax.



Stovax Limited, Falcon Road, Sowton Industrial Estate, Exeter, Devon, England EX2 7LF

Trade Sales Tel: 01392 474000
Export Sales Tel: +44 1392 261990
Other depts Tel: 01392 474011

Email: info@stovax.com
www.stovax.com



A member of the Stovax Group

Stovax gratefully acknowledges the assistance of the following companies with photographic settings:

John Lewis - www.johnlewis.com • Sofarooms Upholstery - www.sofarooms.co.uk • Tom Raffield - www.tomraffield.com • Industville - www.industville.co.uk
House of Fraser - www.houseoffraser.co.uk • Orange Tree - www.theorangetree.co.uk • Moko - www.mokodirect.com • Amos Lighting - www.amoslighting.co.uk
Chunky Monkey - www.chunkymonkeyfurniture.co.uk • Easy Art - www.easyart.com • Walls and Floors - www.wallsandfloors.com • Nkuku - www.nkuku.com
Oliver Bonas - www.oliverbonas.com • Desenio - www.desenio.com • LPD Furniture - www.lpd-furniture.co.uk • Furniture Village - www.furniturevillage.com
Habitat - www.habitat.co.uk • Grace & Glory - www.graceandgloryhome.co.uk • Carpet Right - www.carpetright.co.uk • Original Style - www.originalstyle.com
Debenhams - www.debenhams.co.uk • Opies - www.opiesuk.co.uk • Amtico - www.amtico.com • Loaf - www.loaf.com

Find Your Retailer

You can find your nearest retailer by visiting:
www.stovax.com/find-a-retailer



Your Stovax stockist:

£2.00



ELISE

