

Colour has
never been
so hot.



More than 30 years as
New Zealand's cleanest,
most efficient wood fire.

www.pyroclassic.co.uk



PYROCLASSIC
FIRES

What makes a Pyroclassic Fire so unique?



The only DEFRA approved fire to provide a genuine 12 hour + overnight burn even with a water heating element.



Forget fire bricks, the unique cylindrical ceramic fire chamber of the Pyroclassic IV retains heat like a kiln.



All Pyroclassic Fires carry our 15 year ceramic firebox warranty.



Opt for our 3.7kW high output water heating element for all your domestic hot water needs.



The 10mm steel top plate is perfect for cooking.



Available in more than 100 colours.

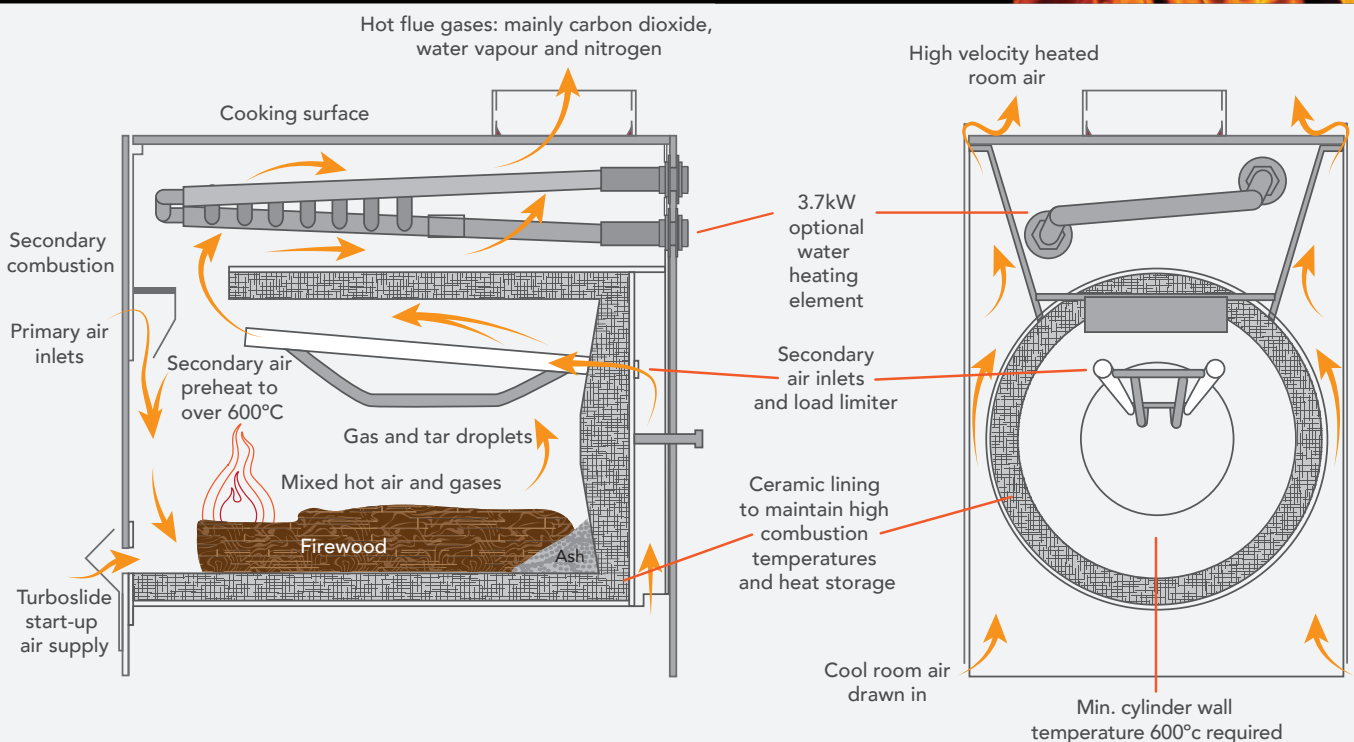


No grate, no ash pan, no mess.



The fire chamber takes up to 1/2 metre log lengths, double the size of most conventional stoves.

HOW A PYROCLASSIC IV WORKS



*Please note: 12hr+ overnight burn claims are based on the Pyroclassic IV installed with our recommended flue system with sufficient flue draw and fuelled with dry, hardwood logs.

PYROCLASSIC IV ACCESSORIES

RECOMMENDED FLUE SYSTEMS

To get the best performance from your Pyroclassic IV, we recommend that a tested and approved 150mm (6") flue kit is used.

WOODBINS

Lift your Pyroclassic IV to the perfect height for loading wood with one of our woodbins. Both options are reversible, one side for stacking wood and one as a storage draw for your tools and kindling, giving you ultimate flexibility. These are finished in a durable ripple black powder coat.

Standard Raised Hearth & Reversible Woodbin:

A direct replacement for a traditional insulated tiled hearth, this woodbin meets all clearances required for a Pyroclassic IV.

Dimensions: W 680mm x D 950mm x H 250mm

Mini Raised Table & Reversible Woodbin:

Ideal for installations when a hearth is not required because the floor itself meets the standards for a non combustible floor.

Dimensions: W 480mm x D 680mm x H 250mm



GET COLOURFUL

The Pyroclassic IV is for lovers of colour! Choose from more than 100 colours, from bold and bright to classic neutrals. All panels are easily interchangeable so you can update your fire to match your home whenever you like.

Visit our website to download the latest colour charts.



WATER HEATING ELEMENT

Our 3.7kW high output water heating element uses an open grid format which increases the surface area, ensuring consistent hot water.



COOKTOP OVEN

Make the most of your Pyroclassic cooktop with this handy oven, mitt and trivet set.



BONUS ESSENTIALS KIT

To say thank you for choosing Pyroclassic Fires, we include a FREE Pyroclassic Essentials Kit, valued at £50, with every fire! This set contains gloves, a rake and shovel, re-usable firelighters and a digital moisture meter.



APPROVED PRODUCT

HETAS

The Pyroclassic IV is approved by HETAS as a continuous operating appliance.

Recommended Fuels: Please note that HETAS Ltd Appliance Approval only covers the use of dry seasoned wood logs on this appliance. HETAS Ltd Approval does not cover the use of other fuels either alone or mixed with the recommended fuel, nor does it cover instructions for the use of other fuels.

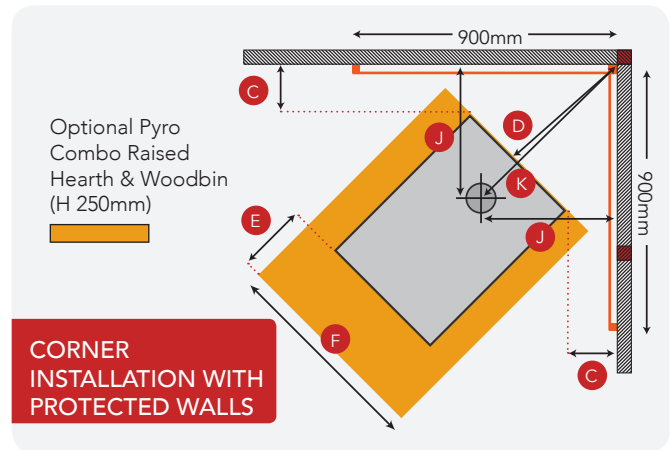
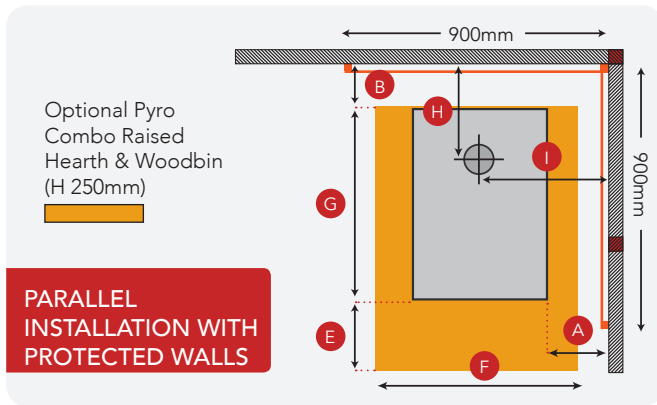
DEFRA

The Pyroclassic IV is a DEFRA exempt appliance and is permitted for installation in smoke controlled zones.



Please visit our website for more information www.pyroclassic.co.uk

PYROCLASSIC IV TECHNICAL SPECIFICATIONS



PYROCLASSIC IV WITH NON-COMBUSTIBLE WALLS

A	B	C	D	E	F	G	H	I	J	K
145mm	105mm	115mm	390mm	300mm	680mm	650mm	245mm	373mm	370mm	530mm

Pyroclassic IV with combustible walls or unprotected walls			
480mm	350mm	370mm	740mm

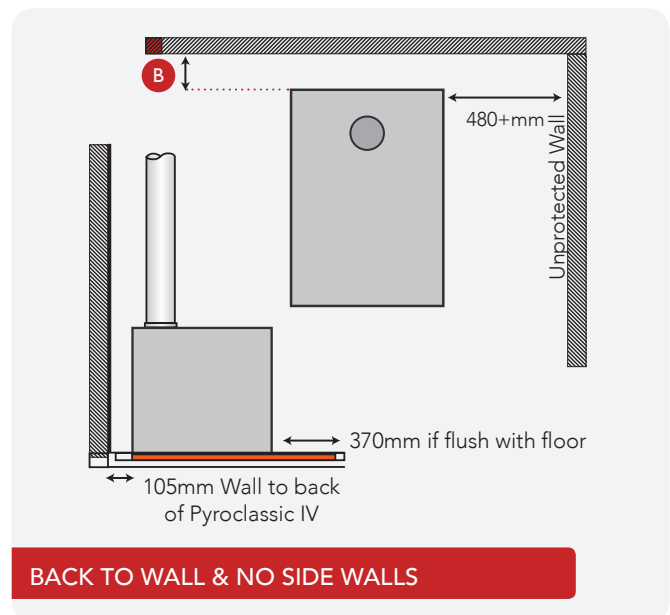
PYROCLASSIC INSULATING HEARTH

The Pyroclassic IV must sit on some form of insulating hearth. If the hearth is installed flush with a surrounding floor then it must have a minimum distance of 370mm from the front of the fire to the front edge of the hearth. If using the Pyroclassic standard raised hearth, this can be installed directly onto any combustible floor material.

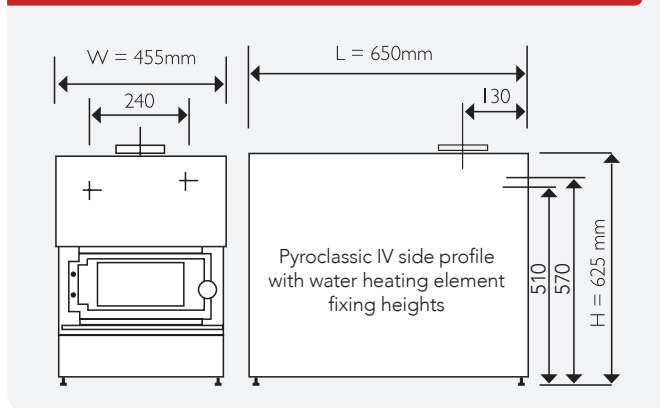
The insulating hearth must have a minimum width of 680mm with the Pyroclassic IV centred.

If the hearth is raised, the floor protector area at the front can be reduced. See table below:

INSULATING HEARTH SURFACE HEIGHT FROM COMBUSTIBLE FLOOR				
Height	0mm	15mm	25mm	40mm
MINIMUM DISTANCE IN FRONT OF PYROCLASSIC TO HEARTH FRONT EDGE				
E Depth	370mm	345mm	320mm	300mm



WATER HEATING ELEMENT FIXING LOCATIONS



Disclaimer: +/- 2mm measurement variation.

SPECIFICATIONS

Dimensions:	L 650mm x W 455mm x H 625mm
Weight:	Approximately 140kg
Fire chamber volume:	20.8 litres
Temperature:	800°C - 1100°C (1500°F - 2000°F)
Maximum heat output:	>15kW
Useful heat output:	2kW - 8kW
Fuel consumption:	1.1kg/hr
Emission rate:	0.3g/kg (Dry and Wet)
Efficiency rate:	74% space heating (Dry) 65.3% space heating with 18% water heating (Wet)
Air control:	Primary & secondary, fully automatic
Start up control:	Manually adjustable Turboslide
Cooktop area:	0.26m ² - 10mm thick plate
Flue diameter:	150mm standard (6")

Freestanding model only. No insert available.

WARRANTY: The ceramic firebox in the Pyroclassic IV is warranted for 15 years against defective material or workmanship, provided the fire is used and installed according to the manufacturer's operating and installation instructions. All other items are warranted for 12 months. This warranty does not cover damage or failure caused by tampering, carelessness, abuse or misuse. NOTE: The warranty only applies to the original owner and cannot be transferred.

Visit www.pyroclassic.co.uk for more information and to find your nearest retailer.

P. 03333 231 271 E. Info@pyroclassic.co.uk

[facebook.com/pyroclassicfiresuk](https://www.facebook.com/pyroclassicfiresuk)