



By appointment to The Royal Danish Court

morsø

since 1853



MORSØ FORNO SPIN



By appointment to The Royal Danish Court

morsø

since 1853

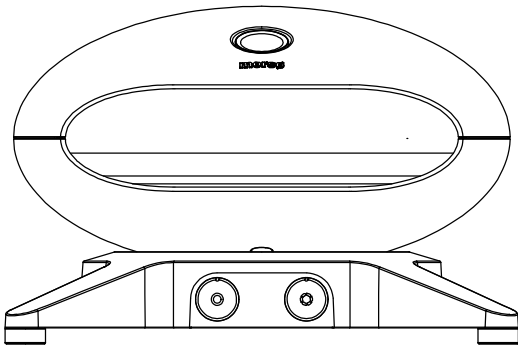


MORSØ FORNO SPIN

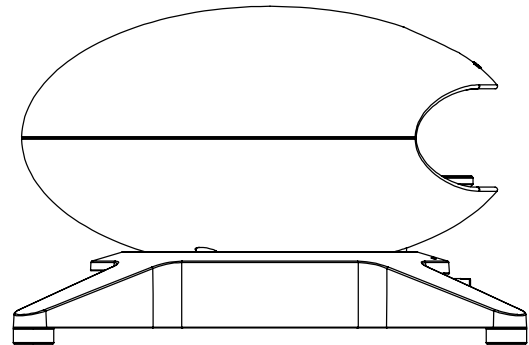
TECHNICAL DETAILS

MORSØ FORNO SPIN

Gas heated spinning pizza oven & bakery



< 505 >



> 330 <

< ø490 >



Item no.....	N/S
Height.....	35 cm
Depth.....	53 cm
Width.....	57 cm
NW (kg).....	17 kg
GW (kg).....	19 kg
Diameter pizza stone.....	40cm/15,7 inch
Colour.....	Anthracite
Frying plate.....	Pizza stone
Base/table material.....	Aluminum injection
Body Material.....	aluminum injection
Designer.....	Klaus Rath

IMPORTANT: The pizza stone must rotate during heating.

Temperature - measured in the middle of the stone - after:
5 min. = 250°/10 min. = 320°/15 min. = 360°/20 min. = 410°/25 min. = 432°
(The test was carried out outdoors and in normal weather, no wind and no rain.)

Gas system

Product: Gas Pizza BBQ

Heat output: N/A

Burner setup: 1 burner (N/AkW)

Ignition System: Piezo Ignition.