



By appointment to The Royal Danish Court

morsø

since 1853



MORSØ CHURRASCO

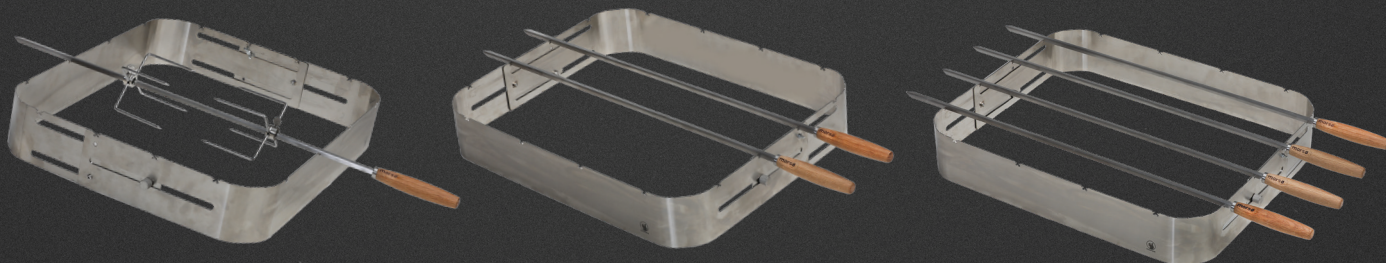
Equipment for Morsø Grill '17 and Morsø Forno



By appointment to The Royal Danish Court

morsø

since 1853

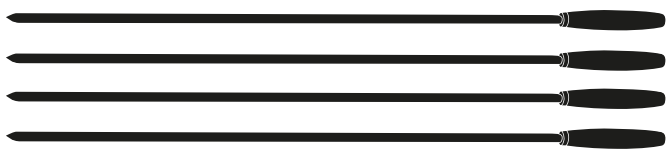
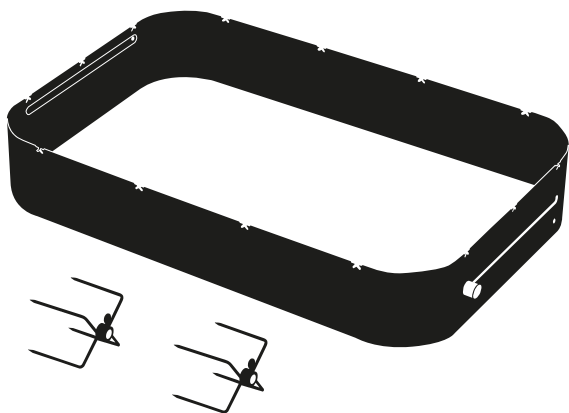


MORSØ CHURRASCO

Equipment for Morsø Grill '17 and Morsø Forno

TECHNICAL DATA

MORSØ CHURRASCO



Product code.	62992200
Height - Frame.....	90 mm
Width - Frame	550 mm
Depth - Frame	350-550 mm
Length - Skewer	790 mm
Material - Frame, prongs (304) & skewer (430) in stainless steel. Oak Handles	
Design by	Klaus Rath



Morsø always thinks design, quality and functionality into the development of new products. In addition to the distinctive mode of expression that is so typical of Morsø products, multifunctionality is always at the top of the design process agenda.

Obviously, this is also the case for the 'Morsø Churrasco' – a brand new accessory intended for the Morsø Grill '17 and Morsø Forno, thus adding yet a layer of utilisation potential to the already existing multifunctional Morsø Outdoor products.

The Morsø Churrasco facilitates the easy preparation of meat, fish and vegetables on skewers. The product consists of an adjustable frame, 1 skewer and 2 prongs. The material is stainless steel which withstands substantial fluctuation of temperatures. Moreover, the ergonomically skewer handles are designed in oily oak.