



THE
GALLERY
COLLECTION

FIRES & FIREPLACES
2022-23 2ND EDITION COLLECTION



THE
GALLERY
COLLECTION

COMBINING SUPREME CRAFTSMANSHIP QUALITY MATERIALS & ELEGANCE

The Gallery Collection presents an extensive range of traditional and contemporary fireplaces and stoves. Built on 70 years of experience in the fireplace industry we combine supreme craftsmanship, quality materials and elegance in design.

Our desire is to provide you with a superb choice of fireplaces skilfully made with high quality materials, all fitted in your home by reputable retailers so you can enjoy the experience of buying and owning your own individual fireplace.

The fireplace suites and fires within the collection represent classic fireplace designs, some infused with a contemporary twist, aimed to complement a variety of interior styles. Many designs are available in a variety of stone finishes including Portuguese limestone, Micro marble and Granite all capable of combining with our extensive range of gas and electric fires, casts, baskets and stoves.

The Gallery Collection offers a unique selection of natural stone mantels and quality cast iron fireplace options including inserts, fascias and fire baskets, as well as a wide selection of more traditional cast iron combination fireplaces. Our range will allow you to burn a variety of fuels, there is something for everyone and even the choice to install one of our realistic electric fires appliances.

The Gallery Collection features a range of stoves suitable for many scenarios and fuel types. Our multifuel stoves are fully CE/UKCA approved and clearSkies certified to the 2022 Ecodesign emissions and efficiency standards.

Pictured: Windsor 48" Portuguese Limestone Mantle featuring the Eos Open Fronted Gas Fire in Antique Brass with Polished Granite Back Panel and Portuguese Limestone Hearth.

MATERIALS

MARBLE

Each of these beautiful stone finishes has their own features that help to create a truly unique fireplace, luxurious and naturally detailed. Each of our Carrara marble mantels have their own distinctive white appearance with grey or grey blue veining, with our granite mantels featuring veins, patches of colour & crystals, combined in a design that was planned by nature millions of years ago.

CARRARA MARBLE



MICRO MARBLE

This exquisite material offers a more uniform detail without the swirls and veins found in traditional marble fireplaces. As an alternative, micro marble offers a consistent, even tone and a durable, polished finish. Arctic White is a vivid shade of white with the slightest hint of grey speckling that adds to an intriguing sense of depth.

ARCTIC WHITE



NATURAL WOOD & VENEER

The Gallery Collection offers a wide choice of high-quality oak veneered and solid wood mantels. Our traditionally styled mantels are intricately designed and work well in period styled homes. The collection also features a number of veneered mantels some featuring recessed twin spotlights which work well in contemporary settings.

VENEERED OAK



NATURAL PINE



NATURAL OAK



CAST IRON

All our cast iron products are manufactured to the highest standards in ISO 2002 accredited facilities. The quality and attention to detail is second to none. Not only is the casting quality first class, but the finishing processes are carried out by highly trained craftsmen. Many products are available with a finish of your choice in matt black, highlight polished or fully polished.



BLACK



FULL POLISHED



HIGHLIGHT



TRADITIONAL

LIMESTONE

This natural, sedimentary limestone formed over 50 million years ago is cut straight from the earth. Portuguese Limestone features characteristic darker veins on a light background, intermingled with fossils of plants and animal life, all adding to the beauty and individuality of this great material. In contrast Agean Limestone is a much whiter limestone with a soft, speckled grain, which works well in a variety of settings.

Persian Limestone, a darker, grey toned version of the much-loved Agean Limestone has the rare feature of appealing to both traditional and contemporary tastes. Whether creating a bold mantel centrepiece or adding some flair to a modern architectural piece, this unique material is guaranteed to catch the eye.



AGEAN LIMESTONE



PORTUGUESE LIMESTONE



PERSIAN LIMESTONE

FIREPLACE SUITES

The Fireplace Suites & Fires within this brochure represent classic fireplace designs, some infused with a contemporary twist, aimed to complement a variety of interior styles.

When planning your fireplace, the Gallery Collection has a variety of materials to choose from, depending on what look you are trying to achieve.

All the suites work in combination with our extensive range of fires including our higher performing gas fires range. The collection also includes a large range of gas and electric fires.

We hope this wide choice will allow you to select the perfect fireplace to suit your own particular taste. We have pictured each suite design in a variety of options to demonstrate some of the many different combinations that can be achieved. A suite consists of the mantel, back panel and hearth.

Most suites in this brochure (except the models fitted with feature lighting) can be fitted against a flat wall without a chimney, if chosen with a suitable electric fire. All that is required is a power point. We have generally shown the suites with gas and electric fire options.

Riverslea suite featuring the Aurora Gas in gold finish, available separately.





THE ABBEY

FOR
GAS &
ELECTRIC
FIRES



48" Abbey light oak veneered MDF mantel suite comes complete with mantel polished granite 48" hearth and back panel. Featuring the Aurora gas fire in gold finish, this is available separately please see page 38 for details.

FIREPLACE SUITE

THE ALLERTON

FOR
GAS &
ELECTRIC
FIRES



FIREPLACE SUITE

54" Allerton light oak veneered MDF suite features stepped arch detailing and recessed twin spot lights. This suite comes complete with mantel, Perla marble 54" hearth and back panel. Featuring the Solaris gas fire in gold finish, this is available separately please see page 38 for details.

THE CARTMEL

FOR
GAS &
ELECTRIC
FIRES



FIREPLACE SUITE

48" Cartmel Arctic white micro marble complete with back panel and 48" hearth. Features an Apollo gas fire in highlight finish, with optional recessed twin spot lights available separately, see page 38 for alternative options. Also available in Portuguese limestone.

THE CONISTON

FOR
GAS &
ELECTRIC
FIRES



FIREPLACE SUITE

54" Coniston Portuguese limestone suite comes complete with mantel, three piece back panel and 54" hearth. Featuring the Bauhaus gas fire in chrome finish, this is available separately please see page 38 for details.

THE CRANBOURNE

FOR
GAS &
ELECTRIC
FIRES



FIREPLACE SUITE

44" Cranbourne Portuguese limestone suite comes complete with mantel, three piece back panel and 44" hearth. Featuring the Blenheim electric fire in brass finish, this is available separately please see page 40 for details.

THE DACRE

FOR
GAS &
ELECTRIC
FIRES



FIREPLACE SUITE

54" Dacre Portuguese limestone suite comes complete with mantel, three piece back panel and 54" hearth. Featuring the Baltimore gas fire in chrome finish, this is available separately please see page 38 for details.

THE DURRINGTON 42

FOR
GAS &
ELECTRIC
FIRES



FIREPLACE SUITE

42" Durrington Portuguese limestone suite comes complete with mantel, three piece back panel and 42" hearth. Featuring the Aurora Gas fire in chrome finish, this is available separately please see page 38 for details.

THE DURRINGTON 48

FOR
GAS &
ELECTRIC
FIRES



FIREPLACE SUITE

48" Durrington Arctic white micro marble suite features recessed twin spot lights and comes complete with mantel, back panel and 48" hearth. Featuring the Hopton electric fire in black finish, this is available separately please see page 40 for details.

THE HUTTON

FOR
GAS &
ELECTRIC
FIRES



FIREPLACE SUITE

39" Hutton mantel in Arctic white micro marble suite comes complete with mantel, back panel and 39" hearth. Featuring the Blenheim gas fire in highlight finish, this is available separately please see page 38 for details

THE RIVERSLEA

FOR
GAS &
ELECTRIC
FIRES



FIREPLACE SUITE

48" Riverslea mantel in Arctic white micro marble suite comes complete with mantel, grey marble inlay, Arctic white micro marble back panel and 48" hearth. Featuring the Sandon in black chrome finish, this is available separately please see page 40 for details.

FIREPLACE MANTELS

The Gallery Collection presents a unique selection of natural stone mantels and quality cast iron fireplace options including inserts, fascias and fire baskets, as well as a wide selection of more traditional cast iron combination fireplaces.

We are also very proud to feature our range of higher performing cast iron inserts, with the balanced flue option boasting efficiencies of up to 74%. These authentically styled inserts benefit from all the aesthetic qualities common with traditional fireplaces, combined with the eco-friendly higher efficiencies of gas convector fires.

Generally, a fireplace would comprise of separately selected items carefully chosen by you to create a truly unique focal point for your living space. These items include a mantel, a hearth, an insert or chamber and a fire with options such as gas, solid fuel or electric. There is also the option of using a fire basket or fascia/inset gas fire combination allowing many permutations. If your preferred combination of products are not shown, it does not mean they do not work together.

Also incorporated into this section are cast iron fascias. These do not feature the full depth of an insert and are combined with an inset gas fire, please see page 48 for details.





THE ASQUITH

FUEL
OPTIONS:
SOLID FUEL
ELECTRIC
GAS



MANTEL

Asquith 55" Agean limestone mantel featuring the Crown arched insert electric fire in highlight, 54" slate hearth available separately. See page 44 onwards for alternative insert options.

THE BARTELLO

FUEL
OPTIONS:
GAS



MANTEL

Bartello 54" Agean limestone mantel featuring the Lytton higher performing arched insert gas fire in highlight finish and 54" granite hearth available separately. See page 44 onwards for alternative insert options.

THE BEDFORD

FUEL
OPTIONS:
SOLID FUEL
ELECTRIC
GAS



MANTEL

Bedford 54" pine mantel featuring the Bolton insert gas fire in highlight option and 54" slate hearth available separately. See page 44 onwards for alternative insert options.

THE BROMPTON 51

FUEL
OPTIONS:
SOLID FUEL
GAS



MANTEL

Brompton 51" Agean limestone mantel featuring Coronet arched insert in half polished finish, decorative gas fire and 51" slate hearth. Also available in Persian limestone, Pine and white Carrara marble, available separately. please visit thegallerycollection.co.uk for details. For alternative insert options please see pages 44 onwards.

THE BROMPTON 56

FUEL
OPTIONS:
SOLID FUEL
GAS
ELECTRIC



MANTEL

Brompton 56" Agean limestone mantel featuring the Traditions arched insert in highlight finish and 56" polished granite hearth available separately. See page 44 onwards for alternative insert options.

THE CHISWICK

FUEL
OPTIONS:
SOLID FUEL
GAS



MANTEL

Chiswick 56" Carrara marble mantel featuring the Gloucester arched insert in highlight finish, real fire and 54" slabbed granite hearth available separately. See page 44 onwards for alternative insert options.

THE HOWARD

FUEL
OPTIONS:
GAS



MANTEL

Howard 54" oak mantel featuring the Lytton higher performing cast insert & 54" honed granite hearth available separately. See page 44 onwards for alternative insert options.

THE KINGSTON

FUEL
OPTIONS:
SOLID FUEL
GAS
ELECTRIC



MANTEL

Kingston 56" Carrara marble mantel featuring the Jubilee arched insert in highlight finish, real fire and 54" slabbed granite hearth available separately. See page 44 onwards for alternative insert options.

THE LINCOLN

FUEL
OPTIONS:
SOLID FUEL
GAS
ELECTRIC



MANTEL

Lincoln 54" pine mantel featuring the tulip insert in highlight finish and burgundy tulip tiles, decorative gas fire and 54" honed granite hearth available separately. See page 44 onwards for alternative insert options.

THE LUCA

FUEL
OPTIONS:
SOLID FUEL
GAS



Luca 54" Agean limestone mantel featuring the Landsdowne arched insert in highlight finish, decorative gas fire and 54" granite hearth available separately. See page 44 onwards for alternative insert options.

THE PALMERSTON

FUEL
OPTIONS:
SOLID FUEL
GAS



MANTEL

Palmerston 54" black cast iron mantel featuring the Sovereign tiled insert in black finish with jazz lilac ivory tiles, decorative gas fire with 54" granite hearth available separately. See page 44 onwards for alternative insert options. Also available in 48" please see page 56 for details.

THE PISA

FUEL
OPTIONS:
SOLID FUEL
GAS
ELECTRIC



Pisa 54" ivory perla micro marble mantel (also available in Portuguese limestone). Featuring Jubilee higher performing cast insert in half polished finish and 54" granite hearth available separately. See page 44 onwards for alternative insert options.

THE RICHMOND

FUEL
OPTIONS:
GAS
ELECTRIC



MANTEL

Richmond 54" Agean limestone mantel featuring Lytton arched insert in highlight finish, solid fuel fire and 54" slabbed granite hearth available separately. See page 44 onwards for alternative insert options.

THE SIENNA

FUEL
OPTIONS:
SOLID FUEL
GAS



MANTEL

Sienna 54" Agean limestone mantel featuring Hamilton fascia in highlight finish, Sandon electric fire in satin silver finish and 54" granite hearth available separately. See page 40 onwards for alternative insert options.

THE WINDSOR

FUEL
OPTIONS:
GAS
ELECTRIC



MANTEL

Windsor 48" Portuguese limestone mantel featuring the Clevedon gas fire in polished finish and 48" granite hearth available separately. See page 38 onwards for alternative insert options.



FIREPLACE COMBINATIONS

THEGALLERYCOLLECTION.CO.UK



As the name suggests, a combination fireplace is a cast iron centre piece that combines many aspects of a traditional fireplace in one package. All you need to choose is your preferred fuel type and add a hearth.

All combination models have the option of solid fuel or gas, but we also offer the option of electric fires in selected models. As with other cast iron products, all are suitable for burning solid fuel, however polished and highlighted products may tarnish. When burning solid fuel it is recommended that you choose a black finish. For more information on each of our combination fireplace's available finishes and fuel suitability see the table on page 92.



TREGARON 36" IN HIGHLIGHT FINISH
Also available in black and polished finishes



CELTIC 36" IN FULL POLISH FINISH
Also available in black and highlight finishes



BARCELONA 36" IN FULL POLISH FINISH
Also available in black finish



NOTTAGE 30" IN HIGHLIGHT FINISH
Also available in black finish



EDWARDIAN 48" IN FULL POLISH FINISH
Shown with Sweeping Rose Yellow/Ivory tiles



PEMBROKE 48" IN FULL POLISH FINISH
Also available in black finish

INSET GAS FIRES



The Gallery Collection offers a range of versatile inset gas fires. They are available to suit both traditional and contemporary designs and feature a variety of frame styles, colour & fuel options and engine types. Please see page 91 for frame, fret and trim information.



APOLLO
HIGHLIGHTED



AURORA
GOLD



AURORA
CHROME



BALTIMORE
BLACK



BALTIMORE
POLISHED



BAUHAUS
ANTIQUE BRASS



BAUHAUS
CHROME
ALSO AVAILABLE IN POLISHED



BAUHAUS
BLACK



BLENHEIM
BLACK WITH
BRASS FINIALS



BLENHEIM
ANTIQUE BRASS



BLENHEIM
BRASS



BLENHEIM
HIGHLIGHT WITH POLISHED FINIALS
ALSO AVAILABLE IN CHROME



CLEVEDON
POLISHED



EOS
ANTIQUE BRASS



EOS
CHROME



GRACE
BLACK



GRACE
CHROME
ALSO AVAILABLE IN POLISHED



GRACE
BRASS



SOLARIS
CHROME



SOLARIS
BLACK



SOLARIS
GOLD

INSET

ELECTRIC FIRES

THEGALLERYCOLLECTION.CO.UK



The Gallery Collection presents a range of electric fires which features our latest innovative multi-colour way flame technology. These versatile appliances have an impressive range of up to 2kW heat output and are available with a range of contemporary and traditional trims to choose from. The appliance comes with 4 interchangeable fuel beds allowing you to swap them as your tastes change. For a more traditional look you can use the coals or logs or for a contemporary feel you can use the pebbles or crystals.

These UK designed appliances are fully ERP compliant and is supplied with an infrared remote with LCD display with a friendly interface allowing all the settings available easy to understand and function. The fires have been designed with optimal controllability enabling you to switch quickly and simply from heat to flame effect. The remote features a fully programmable timer designed to provide automatic time and temperature control over a 7 day period.

Features:

- Infrared remote control with LCD display
- Four different fuel beds – logs, coals, pebbles, crystals
- RGB colour changing flame effect and fuel bed
- Thermostatic control
- 7-day programmable timer

Pictured: Hutton 39" Arctic White Micro Marble Suite featuring the Hopton Electric Fire in Brushed Stainless Steel and 54" Granite Hearth



HOPTON
BLACK FINISH



HOPTON
BRUSHED STAINLESS STEEL



BAUHAUS
BRASS



BLENHEIM
BRASS



SANDON
BLACK CHROME



SANDON
SATIN GOLD



SANDON
CHAMPAGNE



SANDON
MATT BLACK



SANDON
BLACK GOLD



SANDON
SATIN SILVER

CAST IRON INSERTS

THEGALLERYCOLLECTION.CO.UK



A cast iron insert is a decorative plate with complimentary front bars that can incorporate an appliance should you so wish, or can be left purely as a decorative feature. They are typically in the design of an arch or a vertically tiled section either side of the opening. They are also compatible with several fuel types, including wood, coal, gas or electric. Except for the higher performing range and any chrome finishes, all of the inserts featured in this brochure are suitable for burning multiple fuels, for example wood and coal (for occasional use), however polished and highlighted products may tarnish. When burning solid fuel, it is recommended that you choose a black finish, for more information on each of our inserts available finishes and fuel suitability see the table on page 91. When choosing a tiled insert it's possible for you to select any tile set from our range which can be found on page 47.

Pictured: Sienna 54" Agean limestone mantel featuring the Regal Arched Insert in Highlight Finish and 54" Granite Hearth

HIGHER PERFORMING CAST IRON INSERTS

The Gallery Collection proudly features a range of higher performing cast iron inserts. These design-led fireplaces have taken the styling of the traditional insert and combined it with modern, patented gas fires to produce one of the most authentic looking products of its type currently available. Each insert style comes with the option of 3 different fire types to suit most chimney scenarios and features efficiencies of up to 74%.



HP TOULOUSE
HIGHLIGHT



HP LYTTON
HIGHLIGHT



HP JUBILEE
HIGHLIGHT



HP JUBILEE
HALF POLISHED

CAST IRON INSERTS



BOLTON
HIGHLIGHT



CORONET
HIGHLIGHT & BLACK



CROWN
BLACK, HIGHLIGHT & FULL POLISHED



CROWN ELECTRIC



GLOUCESTER
HIGHLIGHT



HENLEY
HIGHLIGHT & BLACK



JUBILEE
HIGHLIGHT



LANDSDOWNE
HIGHLIGHT & GRAPHITE



LYTTON
BLACK & HIGHLIGHT



REGAL
HIGHLIGHT



TRADITIONS
HIGHLIGHT & BLACK

TILED CAST INSERTS

THEGALLERYCOLLECTION.CO.UK



Create a stunning period style feature in your home with one of our tiled inserts. Perfect for any home whether you have a traditional Victorian property or simply want to recreate that aesthetic in a more modern home.

Our tiled Inserts are made from high quality cast iron, and are fitted into a fire mantel or existing fireplace. Our cast iron tiled fireplaces are compatible with various fuel sources including gas, solid fuel and electric fire options.

We also offer a range of fireplace tiles to accompany your tiled insert please see following page for details.

ART NOUVEAU Highlight Finish



NORMANDY Polished Finish



NORMANDY Black Finish



PRINCE Black Finish



SOVEREIGN Full Polished Finish



SOVEREIGN Black Finish



TOULOUSE Highlight Finish



TOULOUSE Black Finish



TULIP Highlight Finish



TULIP Black Finish



TILE OPTIONS

ARGYLL Red/Ivory



HASLINGDEN Burgundy/Ivory



JAZZ Burgundy/Ivory



JAZZ Lilac/Ivory



SWEEPING ROSE Yellow/Ivory



TULIP Blue/Ivory



TULIP Burgundy/Ivory



FASCIAS INSERTS

THEGALLERYCOLLECTION.CO.UK



Cast Iron facias, inserts or back panels have evolved over time, and they are able to be used with gas or electric fires to offer the look of a traditional fireplace. There is also the option to use with a high efficiency inset gas appliance for more heat and greater efficiency. There is also the additional choice of an electric inset fire and they can also be used for solid fuel with a clay back which would include a finishing trim and fret complete with an ash pan cover.

Sienna 54" Agean limestone mantel featuring the Aurora Gas Fire Insert in Chrome Finish and 54" Granite Hearth



*FIRES/INSERTS NOT INCLUDED IN FASCIAS



CHAMBERLAIN
HIGHLIGHT



HAMILTON
HIGHLIGHT



MONROE
HIGHLIGHT

FIRE BASKETS



Fire baskets are an eye-catching addition to any fireplace with options for solid fuel (wood, coal), gas, and electric. All our fire baskets are suitable for burning solid fuel, however polished and highlighted products may tarnish. When burning solid fuel, it is recommended that you choose a black finish. For more information on our fire baskets, including finishes and fuel suitability please see page 92.

In most scenarios it will be necessary to fit a chamber, slip set and back panel with your fireplace. Within this section we have a variety of such items in many finishes for you to choose from.



CASTLE
FINISHES: HIGHLIGHT & BLACK WITH BRASS FINIALS & KNOB
570(W) x 280(D) x 470(H)



COTTAGE LARGE
FINISHES: POLISHED & BLACK (REVERSIBLE)
585(W) x 305(D) x 475(H)



COTTAGE SMALL
FINISHES: POLISHED & BLACK (REVERSIBLE)
485(W) x 305(D) x 365(H)



CRADLE LARGE
FINISHES: POLISHED & BLACK (REVERSIBLE)
550(W) x 250(D) x 200(H)



CRADLE SMALL
FINISHES: POLISHED & BLACK (REVERSIBLE)
400(W) x 250(D) x 200(H)



CROMWELL 18"
FINISHES: BLACK
455(W) x 330(D) x 150(H)
ALSO AVAILABLE IN 16";
330(W) x 250(D) x 150(H)



ELAN WITH BACK
FINISHES: POLISHED & BLACK
455(W) x 300(D) x 385(H)



ELAN NO BACK
FINISHES: POLISHED & BLACK
440(W) x 300(D) x 220(H)



KRYPTON
FINISHES: POLISHED & BLACK
NO BACK: 530(W) x 265(D) x 190(H)
WITH BACK: 530(W) x 265(D) x 230(H)



MATRIX
FINISHES: POLISHED & BLACK
520(W) x 300(D) x 395(H)



NEON
FINISHES: POLISHED & BLACK
NO BACK: 375(W) x 285(D) x 190(H)
WITH BACK: 375(W) x 285(D) x 230(H)



NEXUS
FINISHES: CHROME & BLACK
GAS FIRE POSITION: 610(W) x 315(D) x 190(H)
SOLID FUEL POSITION: 610(W) x 315(D) x 135(H)



QUEEN ANNE
FINISHES: HIGHLIGHT & ANTIQUE BRASS FINISH
590(W) x 285(D) x 580(H)



SWANS NEST 24"
FINISHES: HIGHLIGHT & ANTIQUE BRASS FINISH
625(W) x 355(D) x 165(H)



VALENCIA
FINISH: BLACK
16" WITHOUT BACK: 400(W) x 330(D) x 220(H)
18" WITHOUT BACK: 550(W) x 330(D) x 220(H)
18" WITH BACK: 470(W) x 305(D) x 475(H)
21" WITHOUT BACK: 550(W) x 330(D) x 220(H)
21" WITH BACK: 550(W) x 305(D) x 500(H)

STOVES

The Gallery Collection presents an extensive range of traditional and contemporary stoves, combining supreme craftsmanship, quality materials and elegance in design. There's nothing quite like the feeling invoked by the comforting glow and warmth of a cast iron stove. Our desire is to provide you with a superb choice of high performance, efficient stoves that are skilfully made with high quality materials.

There are many factors and considerations that will determine which stove is ideally suited to take pride and place in your home. Featured within this brochure are a range of stoves suitable for many build applications, with a host of fuel options, including wood, gas or multifuel.

A multifuel stove has many similar characteristics to a wood-burning stove in appearance and design. Multifuel, in essence refers to the burning capability of the stove, therefore the permitted fuels you are able to use would include wood, smokeless coal, wood pellets or peat. Burning house coal is not permitted and could cause damage to your appliance due to the higher temperature of which it burns.

Many parts of the UK are smoke control areas where you cannot emit smoke from a chimney unless you're burning an authorised fuel or using 'exempt appliances'. In a smoke control area you can only burn fuel on the list of authorised fuels, or any of the following 'smokeless' fuels as mentioned below, unless you're using an exempt appliance. All of which need to be in accordance with the manufacturer's instructions.

- Anthracite
- Semi-anthracite
- Gas
- Low volatile steam coal

The comprehensive list of authorised fuels can be found at www.gov.uk

To help you make the perfect choice we have put together an easy to read table on page 93 to enable you to compare the features and specifications of each stove. The Gallery collection allows you to choose from a range of authentic fireplace chambers & hearths, timeless period combination casts, solid fuel and gas stoves, inset gas fires & decorative baskets. All this together with your fireplace accessory needs, allowing you to create that perfect focal point to your living space. Don't forget, your retailer is on hand with helpful advice to assist you with your decision.

Pictured: Helios 5 Eco Stove shown with Rustic Dark Oak Geocast Beam, Grey Ceramic Brick Chamber & Diamond Quarry Hearth







Ecodesign Ready Stoves in accordance with the Governments clean air strategy are designed to reduce emissions by burning wood more efficiently taking into account the long term environmental impact of the appliance during its whole lifecycle.

Only appliances that have been tested and verified as meeting these new limits will be able to be sold and installed legally within the UK.

The emission limits include those for Particulate Matter (PM), Organic Gaseous Compounds (OGC), Carbon Monoxide (CO) and Nitrogen Oxides (NO_x).

SIA Ecodesign Ready stoves will meet the new regulation which will come into force on the 1st January 2022 all of the stoves featured in the Gallery Collection are Ecodesign ready stoves, pledging our support to a greener sustainable future in order to further reduce the impact of climate change.

READY TO BURN



Whilst we continue to develop new and enhanced products to improve efficiency and clean burning, it is the critical issue of wood fuel that plays the biggest role in the air quality solution. A stove is only as good as the wood it burns.

Burning wet wood is inefficient as it demands a lot of heat to vaporise the water before the appliance can give out the proper level of heat to the room, hot water or heating systems. In turn, this creates a lot of smoke which damages the chimney blackens the appliance and contributes to air pollution. Dry wood that has been properly sourced and seasoned means it produces fewer particulates, more heat efficiency and less maintenance. Chimneys are less likely to block and will remain easier to sweep.

The government-backed Ready to Burn scheme is compliant with EU timber regulations and will set a benchmark for logs and other wood fuels in the UK to help with identifying wood that has been carefully chosen and ready to burn.

For more details and to find your nearest stockist visit www.woodsure.co.uk/are-you-ready-to-burn/



CLASSIC 5 ECO

A+



STOVE

Shown with Palmerston Mantel 48", porcelain slate brick bond chamber & 48" slabbed granite hearth & back hearth

HEAT OUTPUT: UP TO 5KW | EFFICIENCY: UP TO 82.5% | FUEL TYPE: MULTIFUEL*

*Only wood and smokeless fuels may be used in smoke controlled areas



CLASSIC 5 GAS

D

GAS STOVE



STOVE

Shown with 48" grey oak timber effect geocast beam, Navarra chamber and Tapestry hearth

NATURAL GAS HEAT OUTPUT: UP TO 3.8KW

LPG HEAT OUTPUT: UP TO 3.7KW

EFFICIENCY: UP TO 81%

FUEL TYPE: GAS/LPG

CLASSIC 8 ECO BLACK



A+



STOVE

Shown with 54" Luca mantel in Agean limestone, porcelain slate brick bond chamber & 54" Harlequin ceramic hearth

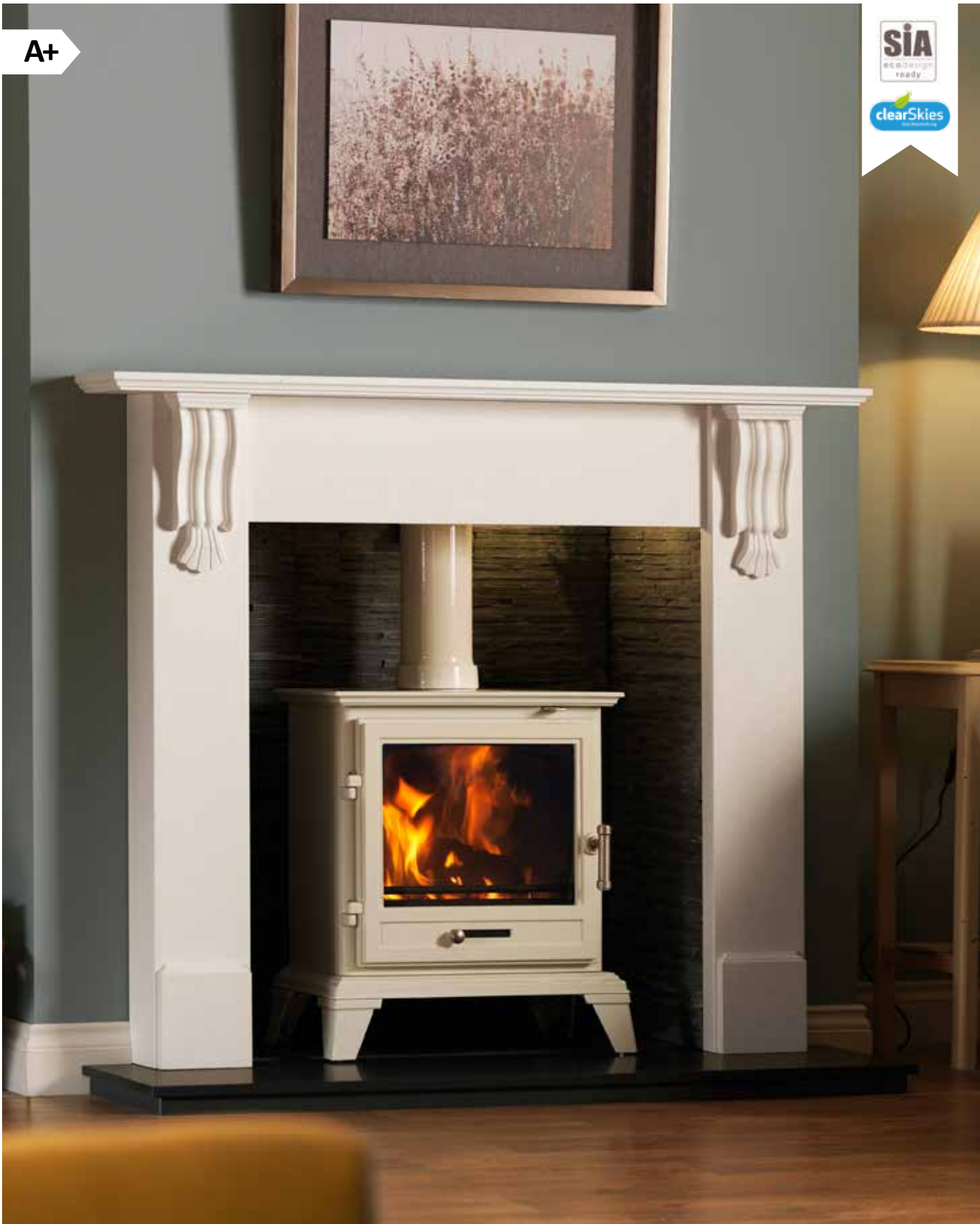
NOMINAL HEAT OUTPUT & RANGE: 5KW (2.5-8KW) | EFFICIENCY: UP TO 84% | FUEL TYPE: MULTIFUEL*

*Only wood and smokeless fuels may be used in smoke controlled areas



CLASSIC 8 ECO WARM WHITE

A+



STOVE

Shown with 54" Richmond in Agean limestone, 54" slabbed granite hearth & back hearth and olive slate waterfall chamber

NOMINAL HEAT OUTPUT & RANGE: 5KW (2.5-8KW) | EFFICIENCY: UP TO 84% | FUEL TYPE: MULTIFUEL*

*Only wood and smokeless fuels may be used in smoke controlled areas



CLASSIC 8 GAS WARM WHITE



E

GAS STOVE

STOVE

Shown with Asquith mantel, grey brick chamber and honed granite hearth

NATURAL GAS HEAT OUTPUT: UP TO 4.8KW

LPG GAS HEAT OUTPUT: UP TO 4.5KW

EFFICIENCY: UP TO 79%

FUEL TYPE: GAS/LPG

CLASSIC 8 GAS BLACK

E

GAS STOVE



STOVE

Shown with Persian limestone Brompton mantel, staggered grey white chamber & slabbed porcelain slate tiled hearth

NATURAL GAS HEAT OUTPUT: UP TO 4.8KW

LPG GAS HEAT OUTPUT: UP TO 4.5KW

EFFICIENCY: UP TO 79%

FUEL TYPE: GAS/LPG

DARWIN GAS



STOVE

Shown with light oak effect geocast beam, olive slate waterfall chamber and Harlequin tile slabbed hearth

*Concentric Flue Size (LPG model available)

FLUE & FUEL TYPE	OUTPUT (NOMINAL)	EFFICIENCY (UP TO)
BALANCED FLUE NATURAL GAS	5.6KW	75%
CONVENTIONAL FLUE LPG GAS	4.9KW	74%
BALANCED FLUE LPG GAS	4.5KW	68%
CONVENTIONAL FLUE NATURAL GAS	4.3KW	74%

FIREFOX 5 ECO

A+



STOVE

Shown with rustic dark oak geocast beam, red ceramic brick chamber, chamber trim kit & slatted natural slate hearth

HEAT OUTPUT: UP TO 5KW | EFFICIENCY: UP TO 82.5% | FUEL TYPE: MULTIFUEL*

*Only wood and smokeless fuels may be used in smoke controlled areas



FIREFOX 5 GAS



D

GAS STOVE

STOVE

Shown with Heritage geocast beam, Zamora chamber and Autumn Quarry hearth

NATURAL GAS HEAT OUTPUT: UP TO 3.8KW

LPG HEAT OUTPUT: UP TO 3.7KW

EFFICIENCY: UP TO 81%

FUEL TYPE: GAS/LPG

FIREFOX 8 ECO

A+



STOVE

Shown with 56" Brompton mantel in Agean limestone, porcelain slate brick bond chamber & slabbed 56" Star tile hearth

NOMINAL HEAT OUTPUT & RANGE: 5KW (2.5-8KW) | EFFICIENCY: UP TO 84% | FUEL TYPE: MULTIFUEL*

*Only wood and smokeless fuels may be used in smoke controlled areas



FIREFOX 8 GAS



Shown with 48" dark oak timber effect geocast beam, Soria chamber and natural slate hearth

NATURAL GAS HEAT OUTPUT: UP TO 4.8KW

LPG GAS HEAT OUTPUT: UP TO 4.5KW

EFFICIENCY: UP TO 79%

FUEL TYPE: GAS/LPG

HELIOS 5 ECO

A+



STOVE

Shown with rustic dark oak geocast beam, grey ceramic brick chamber & slabbed Diamond Quarry hearth

HEAT OUTPUT: UP TO 5KW | EFFICIENCY: UP TO 82.5% | FUEL TYPE: MULTIFUEL*

*Only wood and smokeless fuels may be used in smoke controlled areas



HELIOS 5 GAS



STOVE

Shown with concrete geocast beam, Lucena chamber and porcelain slate hearth

NATURAL GAS HEAT OUTPUT: UP TO 3.8KW

LPG HEAT OUTPUT: UP TO 3.7KW

EFFICIENCY: UP TO 81%

FUEL TYPE: GAS/LPG

TIGER ECO

A+



STOVE

Shown with graphite slate waterfall chamber, Farmhouse stone hearth and dark oak effect geocast beam

HEAT OUTPUT: UP TO 5KW | EFFICIENCY: UP TO 78% | FUEL TYPE: MULTIFUEL*

*Only wood and smokeless fuels may be used in smoke controlled areas



TIGER GAS

E

GAS STOVE



STOVE

Shown with 48" light oak timber effect geocast beam, rustic brick chamber, and granite hearth

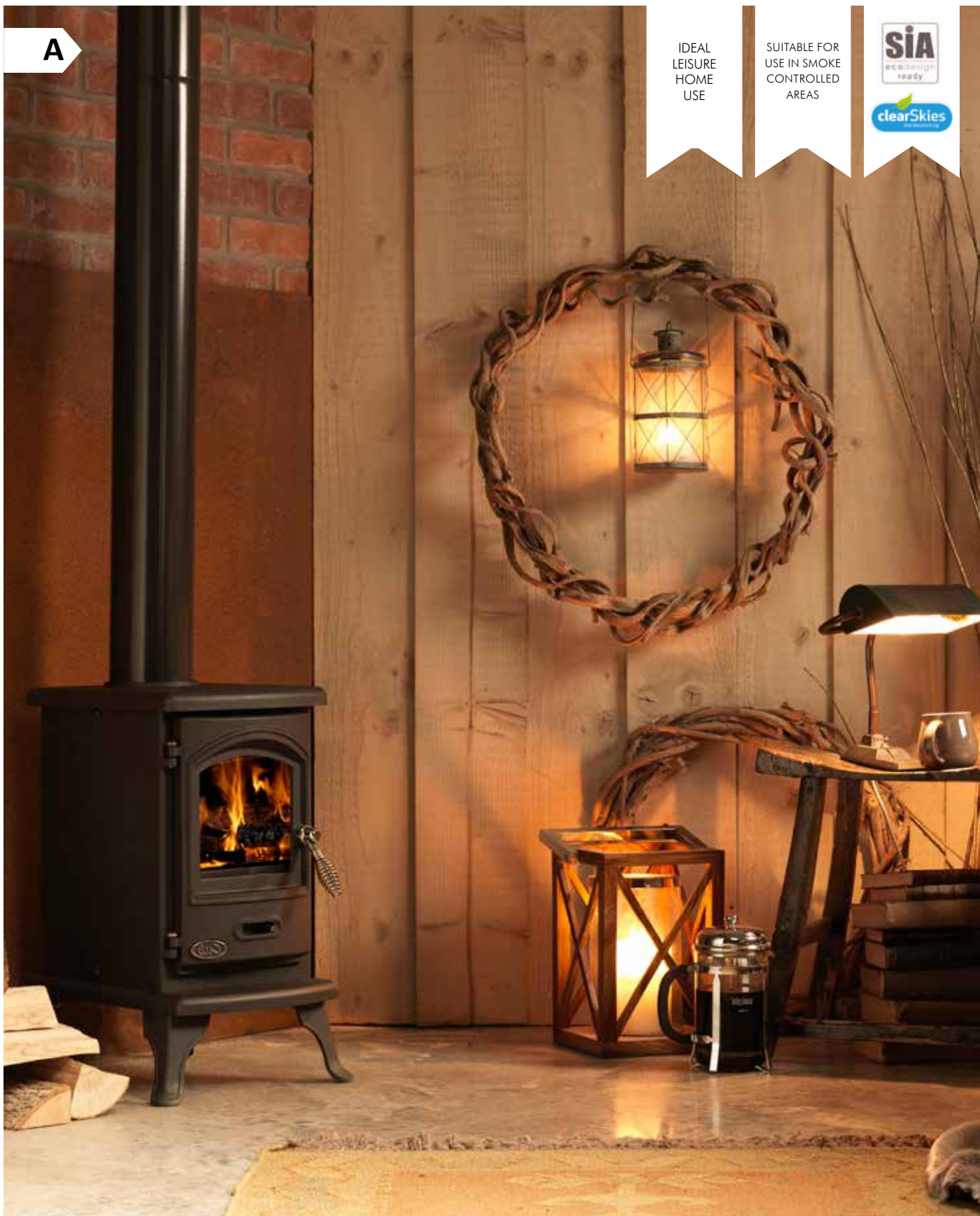
NATURAL GAS HEAT OUTPUT: UP TO 4.8KW

LPG GAS HEAT OUTPUT: UP TO 4.5KW

EFFICIENCY: UP TO 79%

FUEL TYPE: GAS/LPG

TIGER CUB ECO



A

IDEAL
LEISURE
HOME
USE

SUITABLE FOR
USE IN SMOKE
CONTROLLED
AREAS



STOVE

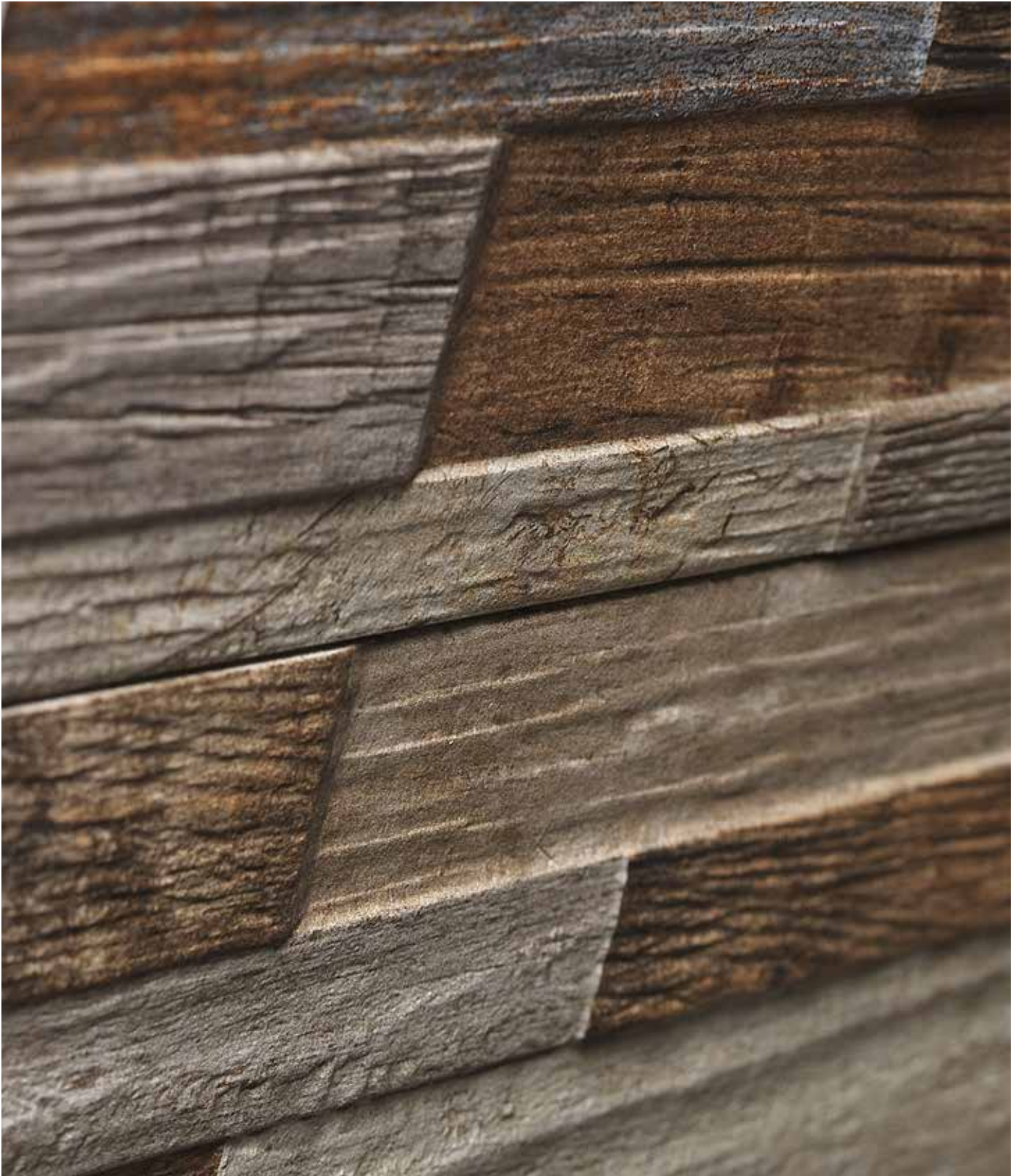
HEAT OUTPUT: UP TO 4KW | EFFICIENCY: UP TO 81% | FUEL TYPE: MULTIFUEL*

*Only wood and smokeless fuels may be used in smoke controlled areas



FIREPLACE CHAMBERS

THEGALLERYCOLLECTION.CO.UK



Our extensive range of UK manufactured stove chambers and tiles offer a very simple, speedy and cost effective solution to creating the perfect fireplace opening.

With a variety of materials to choose from including natural stone and real brick, there is certainly a chamber to suit all tastes.



RUSTIC BRICK CHAMBER



RUSTIC HERRINGBONE
BRICK CHAMBER



RUSTIC BRICK CHAMBER
WITH FRONT RETURNS &
ARCH



RUSTIC BRICK CHAMBER
WITH FRONT RETURNS (NO
ARCH)



RUSTIC GREY BRICK
CHAMBER



OLIVE SLATE WATERFALL
CHAMBER



CHARCOAL SLATE
WATERFALL CHAMBER



PORCELAIN SLATE
BRICK BOND CHAMBER



PORTUGUESE LIMESTONE
BLOCK CHAMBER



VERMICULITE REEDED
CHAMBER



GREY BRICK BOND
CHAMBER



GREY HERRINGBONE
BRICK BOND CHAMBER



ANDALUSIA CHAMBER



URBAN DUSK CHAMBER



URBAN DUSK HERRINGBONE
CHAMBER



SANTIAGO CHAMBER



ICED GREY CHAMBER



ICED GREY HERRINGBONE
CHAMBER



ZAMORA CHAMBER



RED BRICK BOND
CHAMBER



RED HERRINGBONE BRICK
BOND CHAMBER



SORIA CHAMBER



NAVARRA CHAMBER



LUCENA CHAMBER



SLATE STAGGERED OYSTER
BLOCK CHAMBER



BLACK STAGGERED
SLATE BLOCK CHAMBER



GREY WHITE STAGGERED
SLATE CHAMBER



DOVE GREY CHAMBER

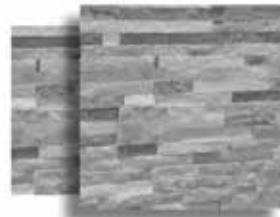
SPLIT FACE TILES



BLACK SPLIT FACE
PANEL



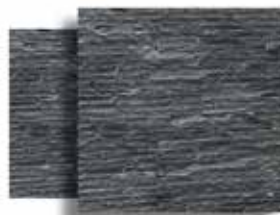
OYSTER SPLIT FACE
PANEL



WHITE/GREY SPLIT
FACE PANEL



OLIVE WATERFALL SPLIT
FACE PANEL



CHARCOAL WATERFALL
SPLIT FACE PANEL



DOVE GREY SPLIT
FACE PANEL

CHAMBER TRIM KIT

Our Chamber Trim Kit is a simple, elegant design to create a neat finish to any chamber installation. Simple to fix and the trim can be cut to size to fit any opening.



CERAMIC CORNER TILES



NAVARRA



ANDALUSIA



ZAMORA



LUCENA



SANTIAGO



SORIA

CERAMIC TILES



NAVARRA



ANDALUSIA



ZAMORA



LUCENA



SANTIAGO



SORIA



HIGHLAND RED



ICED GREY



URBAN DUSK



STEEL GREY

CERAMIC HEARTH TILES



HIGHLAND RED



URBAN DUSK



ICED GREY



STEEL GREY

FIREPLACE BEAMS

THEGALLERYCOLLECTION.CO.UK



We offer a selection of fireplace beams made from either natural or man-made materials. The realistic oak effect fireplace beams now look even more realistic than ever before and are available in light and dark oak effect. Available in 48" and 54" with or without downlights they are lightweight and moulded from three separate natural oak beams. Newly developed, the material is composed of natural inorganic minerals which is non-toxic and unburnable offering many advantages over wooden beams.



48" DARK OAK TIMBER EFFECT BEAM



48" GREY OAK TIMBER EFFECT BEAM



48" LIGHT OAK TIMBER EFFECT BEAM



48" & 54" RUSTIC DARK OAK



48" & 54" RUSTIC NATURAL OAK



42", 48" & 54" DARK GEOCAST OAK BEAM



42", 48" & 54" LIGHT GEOCAST OAK BEAM



48" & 54" CONTEMPORARY BEAM



48" HERITAGE BEAM



48" STONE BEAM



48" & 54" DARK GEOCAST OAK BEAM WITH LIGHTS



48" & 54" LIGHT GEOCAST OAK BEAM WITH LIGHTS



SMALL DECORATIVE BEAM BRACKET



LARGE DECORATIVE BEAM BRACKET

FIREPLACE

HEARTHS

THEGALLERYCOLLECTION.CO.UK

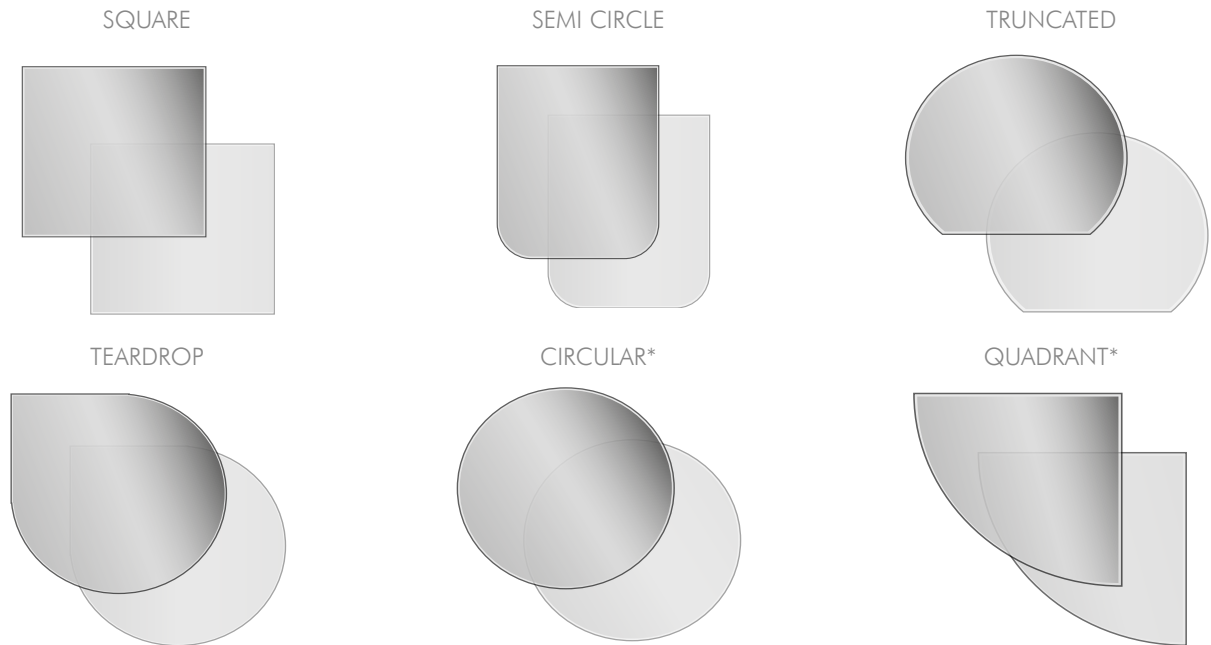


With such a varied range of hearths, we make it easy for you to create a truly unique fireplace. We offer a variety of hearths in many shapes and sizes and suitable for use with all fuel types. Please consult with your nearest Gallery dealer to determine the correct hearth specification for you.

GLASS AND GRANITE HEARTHES

These high quality glass & granite hearths are a contemporary alternative to complement any multifuel or wood burning stove.

The glass hearths are constructed from 12mm toughened glass and are available in smoked or transparent glass. The granite hearths are constructed from 20mm natural black granite and are available honed or polished. There are six shapes available to choose from:



*AVAILABLE IN GLASS ONLY

MADE TO MEASURE FARMHOUSE HEARTHES

Inspired by country style decor and living, this textured limestone with its appearance of slate is warm and cosy in appearance but strong and robust in character. Honed with chiselled edges, it is blue grey in colour and looks rustic and antique in appearance. Strive to create something a little more interesting! When it comes to the layout of your hearth, you can get much more striking design with these modular multi sized pieces enabling you to produce a modular design to your specifications. With a variety of different size options for front and back hearths to suit most fireplace requirements, it's a fantastic alternative to traditional granite or slate.

All Farmhouse products are sold as individual components. Your retailer will be able to advise what best suits your requirements.





HIGHLAND RED TILED HEARTH



URBAN DUSK TILED HEARTH



ICED GREY TILED HEARTH



STEEL GREY TILED HEARTH



PORTUGUESE LIMESTONE HEARTH



MEYSTONE HEARTH



GRAPHITE/CHARCOAL SLATE TILE HEARTH



OLIVE SLATE TILE HEARTH



PORCELAIN BLACK SLATE TILE HEARTH



TAPESTRY TILED HEARTH



NATURAL SLATE HEARTH



EBONY GRANITE HEARTH



DIAMOND QUARRY BLACK/WHITE HEARTH



DIAMOND QUARRY BLACK/RED HEARTH



HARLEQUIN TILED HEARTH



CUBE TILED HEARTH



STAR TILED HEARTH



AUTUMN QUARRY HEARTH



BARLEY SLATE HEARTH

FIREPLACE ACCESSORIES

THEGALLERYCOLLECTION.CO.UK





ECLIPSE PEWTER
H: 54cm



DUO 14" BLACK OR
PEWTER



TRAVERSE



SMALL MERLIN BLACK OR
CHROME
H: 66cm



HOOK BLACK
H: 53cm



VICTORIAN BLACK
H: 41cm



MANOR LOG STATION
BLACK
H:29" x W:18" x D:12"



TRIPPOINT
H:19cm W:40cm D:33cm



VAULT BLACK
H: 47cm W:37cm D:35cm



ASH BUCKET CREAM OR GREY
H: 28cm W:30cm D:30cm



LARGE KINDLING BUCKET CREAM OR GREY
H: 28cm W:30cm D:30cm



SMALL KINDLING BUCKET CREAM OR GREY
H: 18cm W:23cm D:23cm



MATCH HOLDER CREAM OR GREY
H: 13cm W:8cm D:4cm



SALISBURY BLACK
Dia: 22cm



WARWICK BLACK OR PEWTER
Dia: 24cm



WATERLOO BLACK
Dia: 30cm



DORSET HOD COPPER
21"



DEVILLE RECTANGULAR COAL HOD
21" X 8"



RUSHDEN WILLOW
H: 30cm W:51cm D:38cm



BAMPTON WILLOW
H: 35cm W:55cm D:41cm



EDGECOTT WILLOW
H: 35cm W:56cm D:45cm



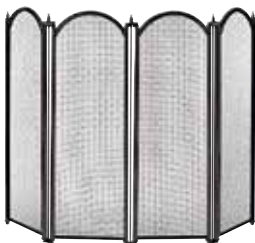
ROSEWOOD LOG BASKET
WICKER
H:14" W:22"



HILTON GROSVENOR
SMALL 15" X 18" X 14"
LARGE 17" X 22" X 18"



DYNASTY 3 FOLD
CHROME OR BLACK TOP
H: 67cm W:43cm D:20cm



DYNASTY 4 FOLD BLACK
H: 64cm D: (PANELS) 21cm



DEVILLE FIRESCREEN
BOW
25" X 28" X 6"



MANOR WINDSOR
24" X 21"

TECHNICAL INFORMATION

THEGALLERYCOLLECTION.CO.UK



DETERMINE YOUR CHIMNEY

The Chimney or flue in your house will normally determine what kind of fire you will choose.

STEP ONE

Identify which type of chimney you have or whether you have no chimney using the information below.



Commonly in older houses, earlier than 1960. The Class 1 chimney is identifiable by 7" (180mm) or greater diameter flue. The existing chimney must be structurally sound, please check before the installation of a new fireplace.

CLASS 1 CHIMNEY



Either an older house where the existing chimney has been lined by a proprietary steel flue or a newer house with a steel flue built in. This chimney type is identifiable by a 5" (130 mm) diameter flue and a steel flue terminal.

CLASS 2 CHIMNEY



Modern houses generally later than 1960 often have a pre-cast concrete chimney system, identifiable by a rectangular box section flue and a terminal, as illustrated in the picture above.

PRE-CAST FLUE



Modern houses often have no chimney. You can use a modern decorative electric fire, either with no heat for aesthetics or an efficient fire with up to 2kW heat output.

NO CHIMNEY

STEP TWO

Now you know what type of chimney you have (or if you have no chimney) you can decide on the type of fire and preferred source of fuel. Ensure that the fire can be matched with a suitable suite combination.

FIRE TYPE	CLASS 1 CHIMNEY	CLASS 2 CHIMNEY	PRE CAST	NATURAL GAS	LPG	NO CHIMNEY REQUIRED
FULL DEPTH HE GLASS FRONTED INSET	✓	✓	✓	✓	✗	✗
FULL DEPTH OPEN FRONTED INSET	✓	✓	✓	✓	✓	✗
DECORATIVE GAS FIRE	✓	✗	✗	✓	✓	✗
ELECTRIC INSET	✓	✓	✓	N/A	N/A	✓*
GAS BASKETS	✓	✓**	✗	✓	✓	✗
ELECTRIC BASKETS	✓	✓	✓	✓	N/A	✓
GAS STOVES	✓	✓	✓***	✓	✓	✓****
SOLID FUEL STOVES	✓	✗	✗	N/A	N/A	✓*****

- * No opening in the wall required for installation
- ** Under 6.9kw only
- *** Specific Gas stoves only please see details of appliance
- **** Selected products available in balanced flue options
- ***** Can be installed to a twin wall flue system

Please note, this information is provided as a guide. Please check the appliance instructions for details of the installation requirements.

FIRE TYPES

The Gallery Collection offers a choice of gas or electric appliances to suit almost every chimney flue type. Below is an explanation of how each of these engines differ from one another. Please see the table below for an overview of their key features.

HIGH EFFICIENCY
GLASS FRONTED



Featuring a glass fronted, full depth ceramic coal fuel bed, these engines are the most efficient of all fire types.

CLASS 1 OPEN
FRONTED CONVECTOR



A full depth fire suitable for Class 1 chimneys. Convector fires offer greater efficiency ratings than standard open fronted fires. Manual or slide control options available.

DECORATIVE
GAS FIRE



A full depth fire suitable for Class 1 chimneys. The key difference with this type of fire is that it does not feature a canopy and produces radiant heat only.

INSET ELECTRIC
FLAME EFFECT FIRE



The inset electric fire features our latest innovative multi-colour way flame technology. This versatile fire has an impressive range of up to 2kW heat output and is available with a range of contemporary and traditional trims to choose from.

TECHNICAL FRAME, TRIM & FRET INFORMATION

The table below explains which frames, trims and frets are available for each particular fire and colour.

FIRE TYPE	FULL DEPTH HE GLASS FRONTED INSERT	FULL DEPTH OPEN FRONTED INSET	DECORATIVE GAS*	ELECTRIC*
MAX OUTPUT (KW)	4.00	3.76	1.38	2.00
EFFICIENCY	80%	54%	20%	100%
ERP	C	F	N/A	N/A
APPOLLO	Highlight	Highlight	N/A	N/A
AURORA	Gold/Chrome	Gold/Chrome	x	x
BALTIMORE	x	x	Black/polished	x
BAUHAUS	x	x	Black with brass finials/antique brass/brass/highlight with polished finials	Brass
BLLENHEIM	x	x	Polished	Brass
CLEVEDON	x	x	Polished	x
EOS	Antique Brass/Chrome	Antique Brass/Chrome	x	x
GRACE	x	x	Chrome/black/polished/brass	x
HOPTON	x	x	x	Black/ Brushed Stainless Steel
SANDON	x	x	x	Black Chrome/Satin Gold/Champagne/Matt Black/Black Gold/Satin Silver
SOLARIS	Chrome/Black/Gold	Chrome/Black/Gold	x	x

*This product is not suitable for primary heating purpose.

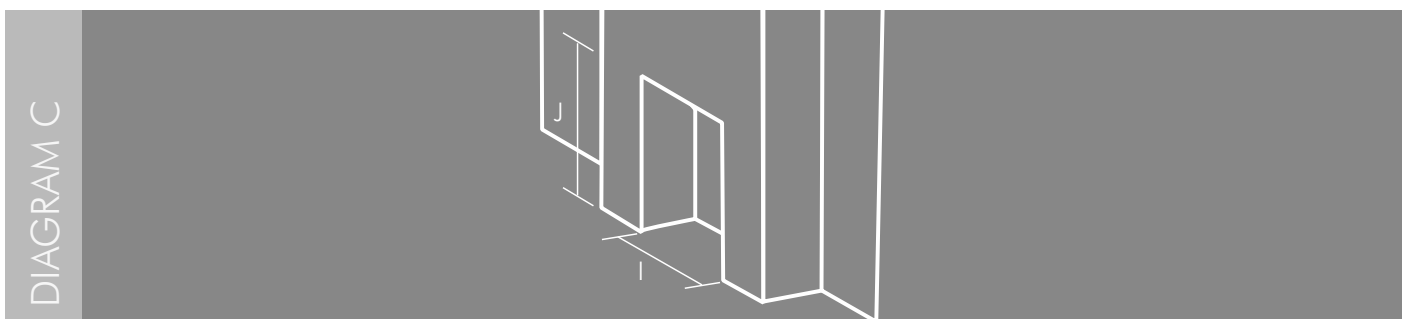
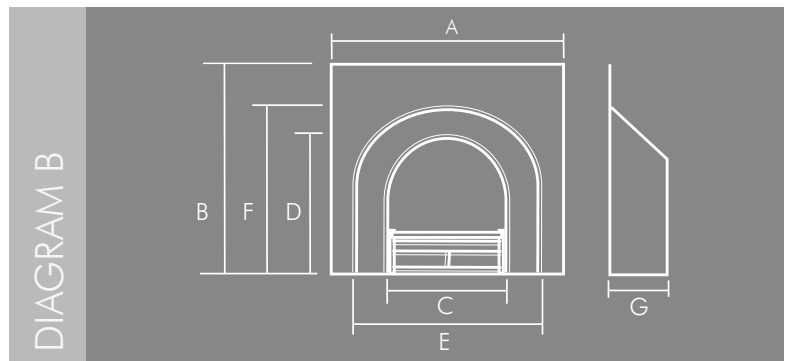
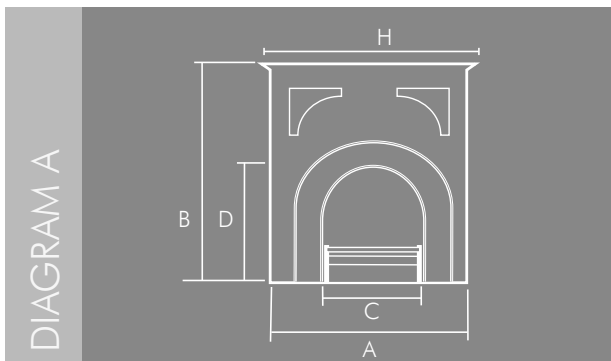
INSERTS, FASCIAS & COMBINATIONS

INSERT	DIAGRAM REFERENCE	FINISH				GAS										FOR STANDARD BACK		CLASS 1	CLASS 2	PRECAST	ELECTRIC	BALANCED FLUE
		BLACK	HIGHLIGHT	POLISHED	TRADITIONAL	A	B	C	D	E	F	G	H	CAST BACK AVAILABLE	I	J						
ARCHED INSERTS																						
BOLTON †	B & C	x	✓	x	x	940	940	450	545	785	825	205	x	✓	560	720	✓	✓	x	✓	x	
CORONET †	B & C	✓	✓	x	x	930	925	370	670	650	800	235	x	✓	455	700	✓	✓	x	x	x	
CROWN †	B & C	✓	✓	✓	x	940	940	430	660	835	855	240	x	✓	560	720	✓	✓	x	✓	x	
CROWN 40" X 40" †	B & C	x	✓	x	x	1015	1015	430	660	835	855	240	x	✓	560	720	✓	✓	x	✓	x	
GLOUCESTER †	B & C	x	✓	x	x	1015	1015	590	700	785	870	370	x	✓	725	750	✓	✓	x	✓	x	
HENLEY* †	B & C	✓	✓	x	x	940	940	445	660	785	825	275	x	✓	620	725	✓	✓	x	✓	x	
JUBILEE* †	B & C	x	✓	x	x	940	940	450	670	790	830	270	x	✓	620	725	✓	✓	x	✓	x	
LANDSDOWNE †	B & C	x	✓	x	✓	960	960	450	685	800	840	285	x	✓	620	725	✓	✓	x	x	x	
LYTTON †	B & C	✓	✓	x	x	940	940	445	660	785	825	205	x	✓	560	720	✓	✓	x	✓	x	
REGAL †	B & C	x	✓	x	x	930	925	365	660	650	800	235	x	✓	455	700	✓	✓	x	x	x	
SUTTON †	B & C	x	✓	x	x	930	925	370	545	650	800	235	x	✓	455	700	✓	✓	x	x	x	
TRADITIONS †	B & C	✓	✓	x	x	965	965	430	610	890	830	335	x	✓	550	620	✓	x	x	x	x	
TILED INSERTS																						
ART NOUVEAU †	B & C	x	✓	x	x	940	940	415	565	870	890	275	x	✓	470	615	✓	✓	x	x	x	
NORMANDY †	B & C	✓	x	✓	x	1016	1016	393	540	889	895	275	x	✓	470	615	✓	✓	x	x	x	
PRINCE †	B & C	✓	x	x	x	940	940	340	560	740	860	235	x	✓	410	600	✓	✓	x	✓	x	
SOVEREIGN †	B & C	✓	x	✓	x	940	940	405	560	875	900	275	x	✓	470	615	✓	✓	x	✓	x	
TOULOUSE †	B & C	✓	✓	x	x	940	940	395	545	845	865	275	x	✓	470	615	✓	✓	x	✓	x	
TULIP †	B & C	x	✓	x	x	940	940	405	560	850	875	275	x	✓	470	615	✓	✓	x	✓	x	
FASCIAS																						
CHAMBERLAIN †	B	x	✓	x	x	965	965	730	740	895	875	25	x	x	x	x	x	x	x	x	x	
HAMILTON †	B	x	✓	x	x	940	940	425	575	790	840	40	x	x	x	x	x	x	x	x	x	
MONROE †	B	x	✓	x	x	965	965	425	570	840	830	65	x	x	x	x	x	x	x	x	x	
COMBINATIONS																						
BARCELONA †	A & C	✓	x	✓	x	785	990	345	595	x	x	160	915	✓	410	600	✓	✓	x	x	x	
CELTIC †	A & C	✓	✓	✓	x	775	1005	450	660	x	x	165	815	✓	560	720	✓	✓	x	✓	x	
EDWARDIAN †	A & C	x	x	✓	x	1105	1220	415	545	x	x	200	1220	✓	470	615	✓	✓	x	✓	x	
NOTTAGE †	A & C	✓	✓	x	x	760	980	365	660	x	x	160	815	✓	455	700	✓	✓	x	x	x	
PEMBROKE* †	A & C	✓	x	✓	x	1040	1040	445	660	x	x	210	1205	✓	620	725	✓	✓	x	✓	x	
TREGARON †	A & C	x	✓	x	x	840	1005	445	545	x	x	165	915	✓	560	720	✓	✓	x	✓	x	
HIGHER PERFORMING																						
JUBILEE HP	B	x	✓	✓	x	940	940	455	490	800	855	x	x	x	x	x	✓	✓	✓	x	✓	
LYTTON HP	B	x	✓	x	x	940	940	455	490	800	855	x	x	x	x	x	✓	✓	✓	x	✓	
TOULOUSE HP	B	x	✓	x	x	960	940	510		885	870	x	x	x	x	x	✓	✓	✓	x	✓	

*Available with deeper back for larger burning area.

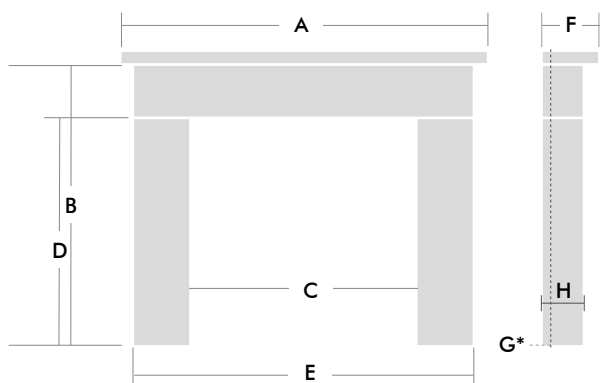
† This product is not suitable for primary heating purpose.

Please note, the precast option on the HP cast inserts is available in slimline options only.



MANTEL INFORMATION

MANTEL	AGEAN LIMESTONE	PORTUGUESE LIMESTONE	CARRARA MARBLE	GRANITE MARBLE	IVORY PERLA MICRO MARBLE	OAK	PINE	PERSIAN GREY	CAST IRON	A	B	C	D	E	F	G	H
ASQUITH	✓									1405	1235	915	915	1235	215	70	160
BARTELLO	✓									1370	1165	910	910	1254	200	75	130
BEDFORD 42"							✓			1067	1105	710	850	990	880	25 - 76	145
BEDFORD 48"						✓	✓			1219	1180	850	915	1145	215	25 - 76	145
BEDFORD 54"						✓	✓			1372	1195	915	915	1260	215	25 - 76	145
BROMPTON 51" ^u	✓						✓			1295	1110	864	890	1194	200	70	145
BROMPTON 56" ^u	✓							✓		1420	1136	915	915	1335	200	70	150
CHISWICK			✓							1420	1121	915	915	1306	230	70	165
HOWARD						✓				1345	1195	915	915	1265	180	25 - 76	120
KINGSTON 56" ^u			✓							1420	1135	880	915	1280	260	75	140
KINGSTON 63" ^u			✓							1600	1233	1003	1003	1503	260	75	140
LINCOLN 48"							✓			1219	1130	840	915	1145	180	25 - 76	115
LINCOLN 54"							✓			1372	1155	915	915	1245	180	25 - 76	115
LUCA	✓									1374	1200	914	913	1254	220	75	150
PALMERSTON 48"								✓		1219	1270	787	889	1080	260	75	140
PALMERSTON 54"								✓		1372	1270	915	915	1220	260	75	140
PISA		✓			✓					1370	1200	890	915	1296	200	75	152
RICHMOND ^u	✓									1372	1155	915	915	1258	220	75	125
SIENNA 54"	✓									1372	1124	864	864	1270	200	70	143
WINDSOR		✓								1220	905	762	780	1160	180	75	145



*G refers to the rebate measurement (distance from wall to the back of the inside leg return)

DIAGRAM D

NOTES

All dimensions are provided (all in mm) as a guide only and are subject to a tolerance of $\pm 12\text{mm}$. It is normal for tiles to craze over time. Most fires have a remote control option, please ask your retailer.

All products (except chrome finishes and Efficiency Plus fires) are suitable for burning solid fuel, however polished and highlighted products may tarnish. Only burn small fires to start with in order to temper the cast iron.

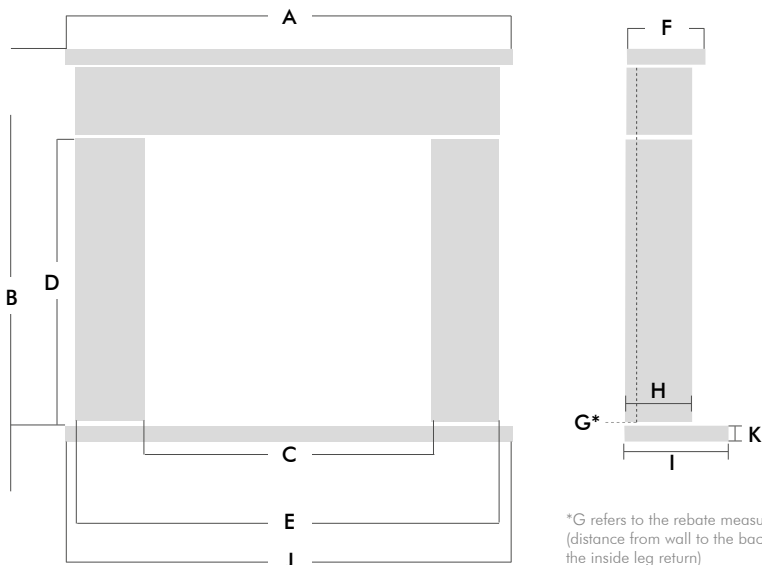
Before committing to a fireplace, please discuss your particular installation with your retailer who will provide expert advice and carry out a survey.

^u These mantels have the added benefit that the legs can be moved further apart by up to 50mm if required

FIREPLACE SUITES INFORMATION

SUITE	A	B	C	D	E	F	G	H	I	J	K	PORTUGUESE LIMESTONE	ARCTIC WHITE MICRO	LIGHT OAK
ABBAY 48	1220	1045	827	860	1150	160	75	110	380	1220	51	x	x	✓
ALLERTON 54	1370	1118	910	910	1290	190	45	150	380	1370	51	x	x	✓
CARTMEL 48	1220	1040	762	810	1150	180	75*	140	380	1220	51	✓	✓	x
CONISTON 54	1370	1120	804	866	1270	200	75	150	380	1370	51	✓	x	x
CRANBOURNE 44	1120	927	622	673	1016	184	75	120	380	1120	51	✓	x	x
DACRE 54	1370	1113	865	840	1265	200	75	143	380	1370	51	✓	x	x
DURRINGTON 42	1066	965	690	755	990	160	75	125	380	1066	51	✓	x	x
DURRINGTON 48	1220	1020	760	760	1120	150	75*	115	380	1220	51	✓	✓	x
HUTTON	1000	953	694	750	940	165	25	130	380	1000	50	x	✓	x
RIVERSLEA 48	1226	1036	680	775	1110	190	75	135	380	1220	55	x	✓	x

*Standard Cartmel & Durrington 48 suites come with 3" rebate. Models with feature spot lights come with 1" rebate.



*G refers to the rebate measurement (distance from wall to the back of the inside leg return)

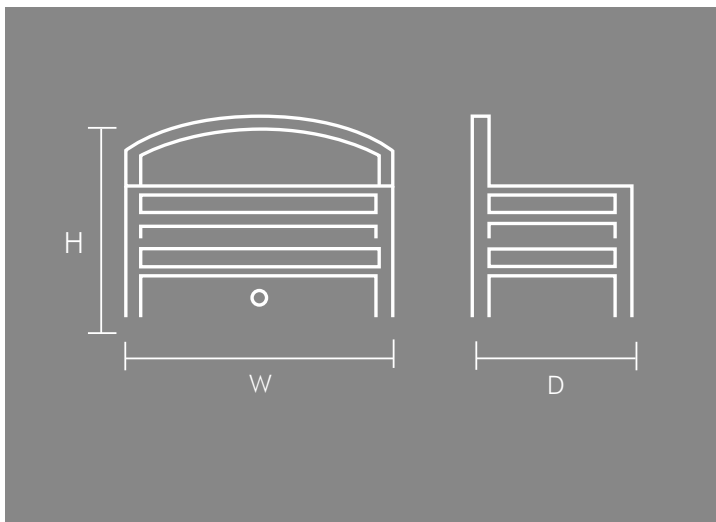
NOTES

1. Portuguese Limestone models come with Three-piece back panels
2. The Durrington 42 and the Cranbourne models come supplied with three-piece panels in all materials

FIRE BASKET INFORMATION

BASKET	FINISH					DIMENSIONS				
	POLISHED	BLACK	CHROME	HIGHLIGHT	ANTIQUE	W	D	H	CLASS 1	ELECTRIC
CASTLE †	x	✓	x	✓	x	570	280	370	✓	x
COTTAGE - SMALL # †	✓	✓	x	x	x	455	280	300	✓	x
COTTAGE - LARGE †	✓	✓	x	x	x	455	280	415	✓	x
CRADLE - SMALL ** †	✓	✓	x	x	x	405	255	200	x	x
CRADLE - LARGE ** †	✓	✓	x	x	x	555	255	200	x	x
CROMWELL 16" ** †	x	✓	x	x	x	370	260	175	x	x
CROMWELL 18" ** †	x	✓	x	x	x	450	320	190	x	x
ELAN NO BACK # †	✓	✓	x	x	x	435	300	220	✓	✓
ELAN WITH BACK # †	✓	✓	x	x	x	435	300	380	✓	✓
KRYPTON NO BACK †	✓	✓	x	x	x	530	265	190	✓	x
KRYPTON WITH BACK †	✓	✓	x	x	x	530	265	230	x	x
MATRIX WITH BACK †	✓	✓	x	x	x	520	300	395	✓	x
NEON NO BACK †	✓	✓	x	x	x	375	280	190	✓	x
NEXUS - SOLID FUEL †	x	✓	x	x	x	610	135	340	✓	x
NEXUS - GAS# †	x	✓	✓	x	x	610	190	340	✓	x
QUEEN ANNE †	x	x	x	✓	✓	590	280	585	✓	x
VALENCIA 16" NO BACK †	x	✓	x	x	x	410	585	220	✓	✓
VALENCIA 18" NO BACK # †	x	✓	x	x	x	470	325	200	x	✓
VALENCIA 18" WITH BACK †	x	✓	x	x	x	470	300	475	✓	✓
VALENCIA 21" NO BACK †	x	✓	x	x	x	550	325	220	✓	✓
VALENCIA 21" WITH BACK †	x	✓	x	x	x	550	290	505	✓	✓

DIAGRAM E



- * AVAILABLE WITH DEEPER BACK FOR LARGER BURNING AREA
- # HIGH DEFINITION LOG SET AVAILABLE FOR THESE BASKETS
- ** AVAILABLE ONLY FOR SOLID FUEL USE.
- † THIS PRODUCT IS NOT SUITABLE FOR PRIMARY HEATING PURPOSE.

STOVE INFORMATION

STOVE	FUEL TYPES	OUTPUT (UP TO)	EFFICIENCY (UP TO)	ERP RATING	CLEAN BURN	SIA	COLLAR SIZE	FLUE LINER SIZE	TOP FLUE	REAR FLUE
CLASSIC 5 ECO	MULTI*	5.0kW	82.5%	A+	✓	✓	125mm	5"	✓	✓
CLASSIC 5 GAS	GAS/LPG	3.8kW NG 3.7kW LPG	81%	D	N/A	N/A	125mm	5"	✓	✗
CLASSIC 8 ECO (AVAILABLE IN BLACK OR WARM WHITE)	MULTI*	*2.5kW - 8.0kW	84%	A+	✓	✓	125mm	5"	✓	✓
CLASSIC 8 GAS	GAS/LPG	4.8kW NG 4.5kW LPG	79%	E	N/A	N/A	125mm	4" & 5"#	✓	✗
DARWIN BALANCED FLUE GAS STOVE	GAS/LPG	5.6kW/4.5kW	75% / 68%	D/B	N/A	N/A	100-150mm***	N/A	✓	✗
DARWIN CONVENTIONAL FLUE GAS STOVE	GAS/LPG	4.3kW/4.9kW	74%	D/B	N/A	N/A	125mm	4"	✓	✗
FIREFOX 5 ECO	MULTI*	5.0kW	82.5%	A+	✓	✓	125mm	5"	✓	✓
FIREFOX 5 GAS	GAS/LPG	3.8kW NG 3.7kW LPG	81%	D	N/A	N/A	125mm	5"	✓	✗
FIREFOX 8 ECO	MULTI*	2.5-8.0kW	84%	A+	✓	✓	125mm	5"	✓	✓
FIREFOX 8 GAS	GAS/LPG	4.8kW NG 4.5kW LPG	79%	E	N/A	N/A	125mm	4" & 5" #	✓	✗
HELIOS 5 ECO	MULTI*	5.0kW	82.5%	A+	✓	✓	125mm	5"	✓	✓
HELIOS 5 GAS	GAS/LPG	3.8kW NG 3.7kW LPG	81%	D	N/A	N/A	125mm	5"	✓	✗
TIGER CLUB	MULTI*	4kW	79%	A	✓	✓	125mm**	5"	✓	✓
TIGER ECO	MULTI*	5kW	78%	A+	✓	✓	125mm	5"	✓	✗
TIGER GAS	GAS/LPG	4.8kW NG 4.5kW LPG	79%	E	N/A	N/A	125mm	4" & 5"#	✓	✗

* Only wood and smokeless fuels may be used in clean burn mode

** 100mm - when fitted into a shed, inland marine craft or other buildings for occasional use. 125mm - when fitted into a standard brick built property.

*** Concentric Flue

Depending on installation

STOVE CARE

It is your responsibility to burn the correct fuels at all times, more importantly if you live in a smoke controlled area. High temperature burning fuels can cause damage to your stove and the environment. For guidance on the best fuels to use please refer to the recommendations of the Solid Fuel Association www.solidfuel.co.uk and always use approved fuel, in accordance with the manufacture's instructions.

No responsibility can be accepted if high temperature fuels have been used or if the draught reading on the appliance is not in accordance with the manufactures instructions, current standards and building regulations. For the future longevity of your grate, clean the ash away regularly as a build-up beneath the fire will cause the grate to burn out quickly. The grate is a consumable part of your fire and will need replacement from time to time, depending on the frequency, fuel used and burning temperature of your fire.

Most stoves have a riddling grate mechanism to ease de-ashing. Always ensure that ash is removed from your stove (once cooled) regularly. When a build-up of ash occurs, this will affect the life of the consumable parts. Gallery stoves (excluding gas) utilize an 'air wash' system which helps to keep the large viewing glass clean during operation and improve efficiency.

All Gallery stoves are manufactured from cast iron and it is vital that appliances undergo a period of 'burning in'. This involves small fires initially and then gradually increasing in size with each firing. If this process is adhered to then you should experience years of trouble free and enjoyable use.

All Gallery stoves are CE approved to EN13240 and are suitable for use with a variety of fuels such as wood, coal, coke, peat, anthracite or smokeless fuels. This does not include house coal due to the volatile temperatures.

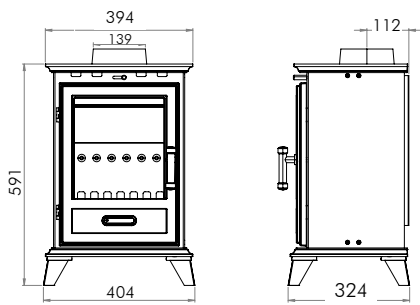
For safety, all Gallery solid fuel stoves are supplied with a heat resistant glove, it is always advisable to use this glove when operating the stove as it will become extremely hot during use.

STOVE DIMENSIONS

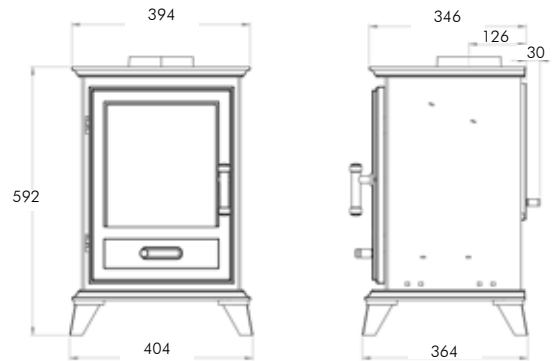
All dimensions are in mm. Due to manufacturing processes, all measurements are approximate and may vary slightly. Please allow for a tolerance of plus or minus 12mm.

The Firefox 5 Gas, Firefox 8 Gas, Tiger gas, Tiger Inset, Tiger cub and Helios Inset stoves are all top flue only. All other stoves have the option of top or rear flue.

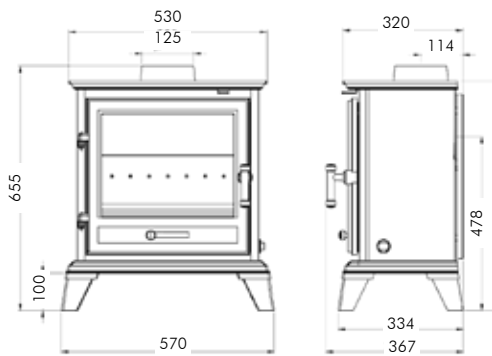
CLASSIC 5 ECO



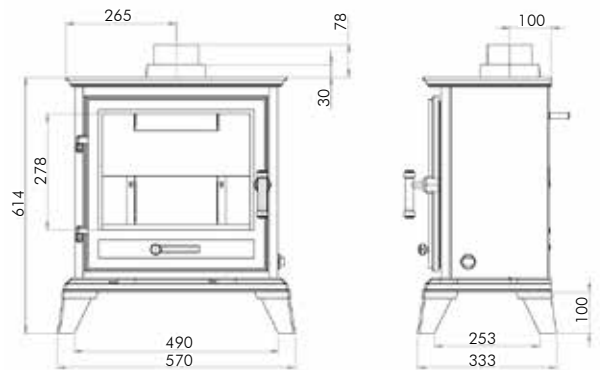
CLASSIC 5 GAS



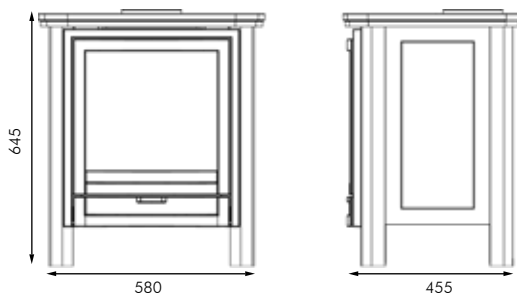
CLASSIC 8 ECO



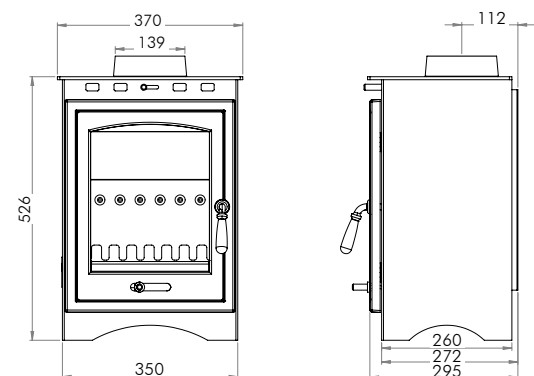
CLASSIC 8 GAS



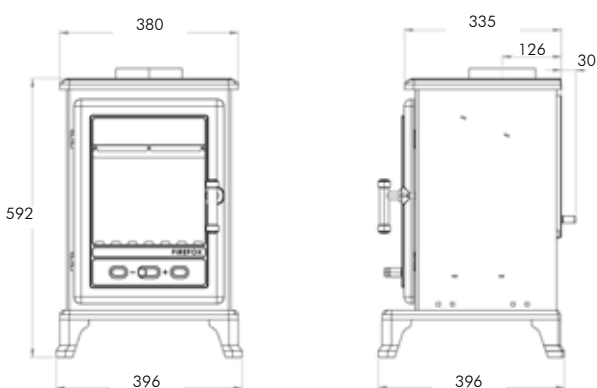
DARWIN GAS STOVE



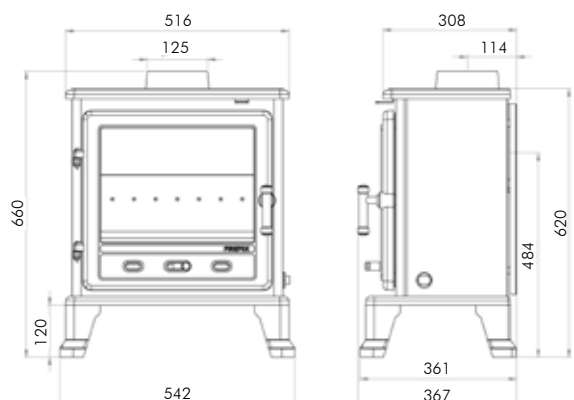
FIREFOX 5 ECO



FIREFOX 5 GAS



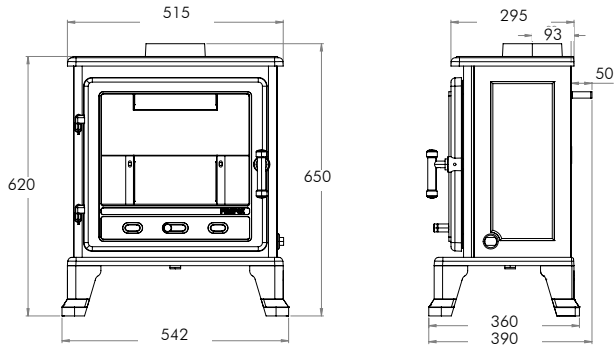
FIREFOX 8 ECO



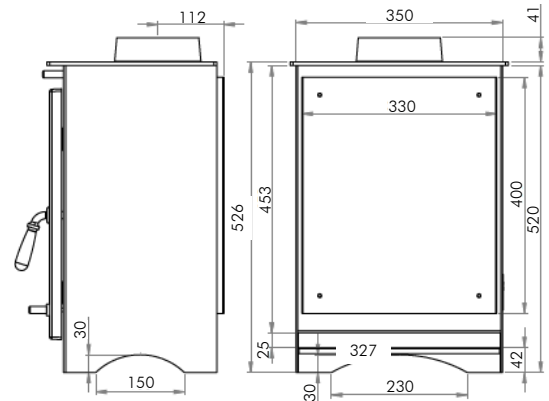
The Tiger Gas and Firefox 8 Gas models have a 150mm flue collar but require a 125mm flue. The collar should be packed with rope/fire cement or sleeved with a 6" vitreous pipe to finish.

It is essential that your stove is installed in accordance with Building Regulations and any other standard requirements by a competent person with experience in fitting fireplaces - your retailer will be able to help you select an appropriately qualified installer.

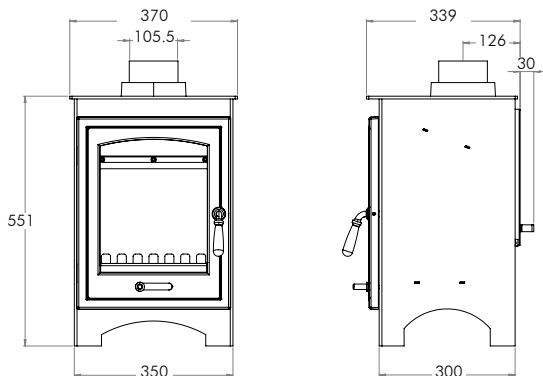
FIREFOX 8 GAS



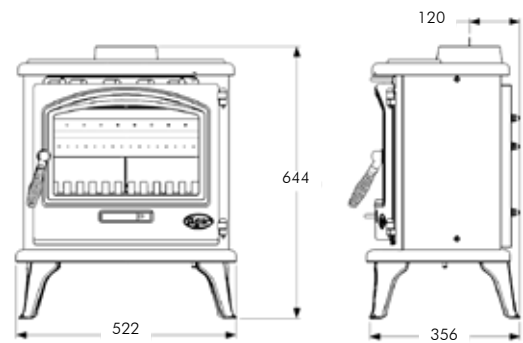
HELIOS 5 ECO



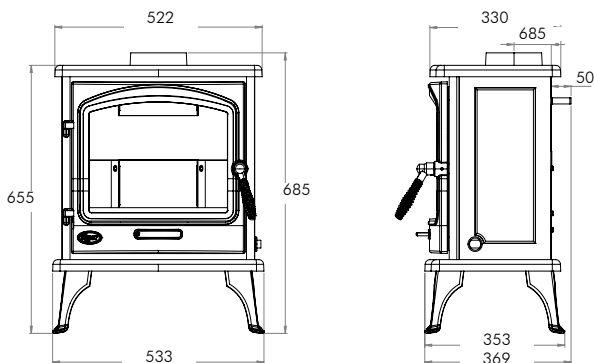
HELIOS 5 GAS



TIGER ECO

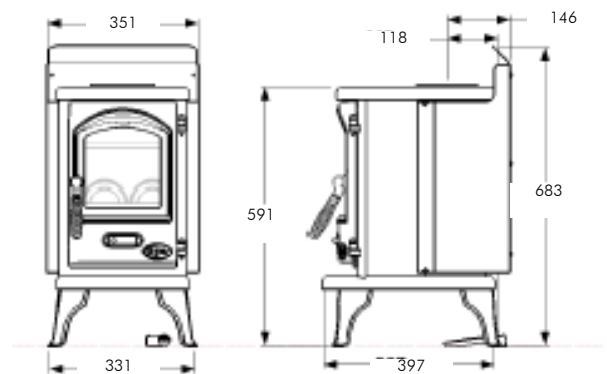


TIGER GAS*

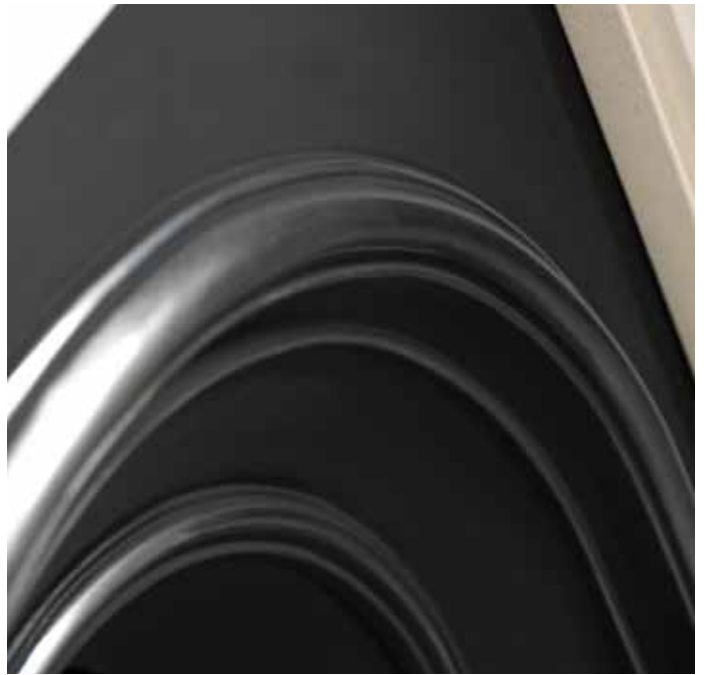


TIGER CUB

SHOWN WITH OPTIONAL REAR HEAT SHIELD



AFTERCARE & MAINTENANCE



CAST IRON

All the cast iron products are delivered with a protective, oil-based coating on polished surfaces. This should be cleaned off during the installation. It is recommended that a spray-type oil is applied from time to time in order to avoid surface rust appearing. Ensure that the room in which the cast iron product is being installed is thoroughly dry. For example recently plastered walls cause high levels of moisture in the atmosphere and, as a result, rust is likely to occur. Under no circumstances should a water-based cleaner or polish be used to clean cast iron products.

It is your responsibility to burn smoke free fuels if you live in a smoke free zone. There are some very high temperature burning fuels which can cause damage to any fireplace. Please refer to the Solid Fuel Association (www.solidfuel.co.uk) recommendations and use an approved coal merchant as your supplier.

No responsibility can be accepted if high temperature fuels have been used or if there is excessive draft. If in doubt we recommend the use of a clay fire back. Clean ash away regularly as a build up beneath the fire will cause the grate to burn out quickly. The grate is a consumable part of your fire and will need replacement from time to time, depending on the frequency and burning temperature of your fires.

NATURAL WOOD & VENEER

When caring for your elegantly crafted wood or wooden veneered mantel and in order to maintain its beautiful appearance, regular cleaning should be completed with a soft cloth using a mild household cleaner or polish. Water and ammonia based cleaners should be avoided, water can sometimes be absorbed into the wood and damage the surface, in some extreme cases this can cause the veneered wood to separate from the surface beyond repair. Ammonia based products can attack the protective lacquered coating and cause a dull cloudy appearance if used, it will also detract from any emphasis on the natural grain of the wood.



CERAMIC FUEL BEDS

When using ceramic fuel beds, ensure that these do not touch any of the polished surfaces in order to minimise the risk of thermal discolouration. The ceramic black and graphite products are coated with a high temperature paint and during their natural burning lifecycle eventually the paint can burn off, exposing the raw material. To restore the finish a proprietary, high temperature paint can be used to re-coat the product and this paint is available from your local retailer.

LIMESTONE

Limestone is a naturally porous sedimentary rock, therefore it is important not to spill any liquid types especially liquids of colour as these can often leave a prominent stain. In the event of a spillage, our best advice would be to contact our technical team for guidance. In the event of any damage occurring by way of a chip or a minor scratch then a fine wet and dry sandpaper can be applied with care in order to achieve the best results.

Limestone products, once installed and dry should be cleaned and sealed where necessary using Gallery Collection aftercare products. Your installer should carry out the initial sealing where applicable.

The stone mantels pictured are manufactured from 100% natural material. As such the mantel you will purchase will be unique due to the inevitable variations in fossil formation, veining and colour. This is one of the great attractions of 100% pure natural products. Please be aware that small fossils and variations in the limestone are part and parcel





MARBLE

Marble hearths are a beautiful investment and as such require regular maintenance and care to continue looking its best. Care must be taken when lighting candles to avoid spilling wax on the surface and the heath must be protected when placing tea lights. Our best advice is to clean up any spillages as soon as they happen, as the porous surface of a granite or marble can mean that stains can happen quickly, therefore it's important to remember to soak up a spill with a clean dry cloth or sponge whenever they happen. By wiping the surface down with a warm damp cloth and then use a soft dry cloth to buff to a shine depending on the finish, when you're tidying your home, will enable you to keep it looking pristine.

MICRO MARBLE

Micro Marble has a surface that is extremely durable however liquids which have a strong acidic content for example citrus juices may attack and discolour the surface therefore care must be taken with any spillages of this nature. In order to maintain its subtle shine and appearance, occasionally spray with a general household polish and buff with a soft dry cloth. Do not use any bleach or abrasive cleaning agents, as these could damage the surface or dull the appearance of the material.



INSTALLATION

Your Gallery fireplace is made up of a number of different components and it is important to ensure that your installer has the necessary qualifications and experience to fit ALL the components of a fireplace.

All gallery appliances are supplied with detailed, comprehensive installation and user instructions. All installations must be in accordance with the manufacturer's instructions, current building regulations and subsequent British standards. The installation should only be carried out by a qualified competent persons. For all gas appliances, a Gas Safe registered engineer and for solid fuel, a HETAS registered engineer. Failure to comply with these requirements may render the appliance unsafe in the first instance, impede on the efficiency and serviceability of your appliance and ultimately invalidate any warranty.

All installers in order to satisfy the terms and conditions of our warranty must be registered with the appropriate regulating bodies as deemed by Percy Doughty. All gas installers within the UK must be registered with the Gas Safe Register. In the Republic of Ireland the Board Gais and for solid fuel installations all installers must be registered with HETAS and for Scotland be compliant with the current Technical Handbook – Domestic.

It is important that you retain all documentation following the installation as this will be required in order to activate the warranty if needed. The documentation should be supplied by building control following successful registration of each installation by the installer, for both gas and solid fuel appliances together with any commissioning certificates, benchmarks and service records completed in the rear of the installation manual. It would be the responsibility of the installer to provide all the necessary information, however in some circumstances where documentation is absent then communications with your local building control officer may be beneficial, for solid fuel installations only.

When installing any Granite, Slate or Limestone hearth please ensure the area is flat and free from debris and dust, preferably to be situated on a concrete sub hearth. We would also recommend that the under surface only is primed/sealed with a suitable PVA glue or equivalent and left to dry sufficiently, prior to bedding down. The hearth would then need to be bedded down on a strong sand and cement bed with a medium consistency, taking into account the need to fill any voids, spaces and support points to accommodate the safe functioning of the whole installation when completed. We would also advise that when installing the mantel, always prime and seal the under surface that will come into contact with any adhesive or water based mixes. Failure to adhere to the advice given may result in moisture patches appearing that may stain and damage the material, these effects may be irreversible and render the installation unfit for purpose.

Marble and micromarble are not suitable for solid fuel applications. The colours shown in this brochure are as accurate as possible. If the colour you require is critical then please consult your retailer before making your decision.

When you are identifying your chimney please see page 90 in the brochure. If you are not clear please consult your HETAS or Gas Safe Registered (Board Gais in Republic of Ireland) installer or your approved stockist.

Gas fires within The Gallery Collection with a gas input of 6.9kW or less do not normally require additional ventilation, however there are some circumstances where additional ventilation may be required. This would be determined by your installer when completing a survey before installation. For appliances with an input of 6.9kw or over, please ask your retailer for further information on the additional ventilation requirements.

When fitting a decorative gas fire within a basket the manufacturer's instructions and current British standard BS 5871 Part 3, must be followed, and in doing so a risk assessment must be completed by the installer to ensure that a sufficient gap is provided around the basket when placed inside the builder's opening or purpose built fire chamber. This is essential for the adequate service and future maintenance of the appliance and also allowing for good access to the controls. It is also important for air flow cooling around the appliance basket, which would also allow for the best possible flame picture. It is also an important consideration to ensure the correctly rated materials have been used within the builder's opening or purpose built chamber.

Your new gas appliance will require an annual service and maintenance but not limited to, dependent on use. It is a requirement of the warranty that this is carried out by a qualified competent person registered with the appropriate regulatory body as deemed by Percy Doughty. In doing so will help you enjoy many years of trouble free usage of your appliance.

- All cast iron products are manufactured in ISO 9002 accredited manufacturing facilities.
- All the gas fires we supply are tested in accordance with CE requirements and are CE marked.
- All measurements are approximate and may vary slightly so allow for a tolerance of plus or minus 12mm.
- To achieve some of the colour options, we plate the products using a variety of manufacturing processes. "Antique Brass finish" or "Chrome finish" are not brass or chrome.

CLEANING

When cleaning the outer body of your gas/wood burning or multifuel stove, we do not recommend the use of any sprayed cleaning products, including water. We also do not recommend the use of a wet/damp cloth or rag to wipe away dust or ash, as this can also cause small areas of corrosion and rusting formations. Care should also be taken not to have any overspray on the body of the stove, when cleaning the glass with any spray glass cleaner product. Unfortunately, rust and corrosion can sometimes happen when the stove is not used frequently, continuously exposed to water, moisture and oxygen combined. In all instances this natural process of oxidation can occur with all ferrous metal stoves. When dusting and removing settlements of ash, we would only recommend the use of a soft bristle brush, or a dry microfiber cloth is used to keep the stove looking in the best possible condition. If marks are left from deposits of ash, then the gallery black grate polish can be applied to restore the area to its natural state.

GENERAL

All the images throughout this brochure are for illustrative purposes only and are as accurate as possible. Some natural materials may vary due to the nature of the products, but if the colour you require is critical then please consult your retailer before basing all your decisions on the colours shown here.

Some room sets may appear not to comply with the requirements of the latest building regulations, we would always advise that you check your proposal with your approved fitter before proceeding with any project.

Please also note that shading and crazing are characteristics of the glazed tiles used in tiled inserts and tiled hearths.

There are occasions when designs, or products are altered or discontinued without prior notice (a reserved right), so if you are about to set your heart on a particular fireplace, please consult your retailer before making that final commitment.

All installations must be carried out in accordance with the requirements set out in the Building Regulation.

Your Gallery fireplace is made up of a number of different components and it is important to ensure that your installer not only meets the requirements above, but that they also have the necessary experience to fit ALL those components.

Before committing to a fireplace, please discuss your particular installation with your retailer who will provide expert advice and carry out a survey.

DISCLAIMER

We reserve the right to change or withdraw details, prices or specifications without prior notice. Every effort has been made to ensure the accuracy of information in this brochure. All dimensions are given for your convenience and should only be used as a guide. Colour reproduction is as accurate as current printing methods allow. We cannot be held responsible for changes or matters outside our control.



THE
GALLERY
COLLECTION

WWW.THEGALLERYCOLLECTION.CO.UK

01204 868 550

INFO@THEGALLERYCOLLECTION.CO.UK