



huntergas  
COLLECTION



*naturally effortless*

*Traditional and contemporary, our Hunter Gas Collection has something fit for every interior.*

WHETHER YOU ARE LOOKING TO HEAT A TRANQUIL COTTAGE OR A HUGE FAMILY HOME, WHATEVER THE SIZE OF YOUR ROOM, THERE IS A STOVE TO SUIT YOUR NEEDS.

WITH A CHOICE OF REALISTIC LOG OR COAL FUEL BEDS, ENJOY THE RELAXING VIEW OF DANCING FLAMES. PLUS, EACH STOVE COMES WITH ITS OWN DIGITAL DISPLAY REMOTE CONTROL SO SIMPLY SIT BACK, RELAX AND TURN UP THE HEAT WITH EASE.

|            |         |
|------------|---------|
| WARRANTY   | 3       |
| ASPECT 7G  | 4 - 5   |
| AVALON 4G  | 6 - 7   |
| AVALON 6G  | 8 - 9   |
| CONSORT 5G | 10 - 11 |

|                     |         |
|---------------------|---------|
| CONSORT 7G          | 12 - 13 |
| HOURGLASS FIREPLACE | 14 - 15 |
| LACUNA FIREPLACE    | 16 - 17 |
| FEATURES & OPTIONS  | 18 - 21 |
| DIMENSIONS          | 22 - 23 |

## WHY GAS?

### EASE OF USE

The portable remote device means there really is no need to leave the sofa. Enjoy complete control with the push of a button. From thermostatic to snooze mode, let downtime feel truly special.

### ADJUSTABLE TEMPERATURE

The convenience to choose the temperature whatever the weather. Simply put, you can enjoy the ambience of flickering flames all year round.



**5**  
YEAR  
WARRANTY

ALL HUNTER AUTHORISED  
DEALERS PROVIDE YOU  
WITH AN EXTENDED  
5 YEAR WARRANTY.

For full warranty specifications  
and terms, please visit  
[hunterstoves.co.uk](http://hunterstoves.co.uk)

## EASY TO KEEP CLEAN

No ash, no mess! All you need is a microfibre cloth and your new gas stove is good to go.

## REALISTIC FLAMES

Nothing beats relishing in the realistic flames of a fire and our Hunter Gas Collection provides an exceptional view to match its wood-burning counterpart. Our coal or natural log fuel bed completes the look.

## DESIGNED TO LAST

Our gas stoves incorporate the latest gas fire technology to keep your stove running at its optimum.

WITH A FLAME PICTURE THAT'S EQUALLY AS IMPRESSIVE AS THAT OF ITS WOOD BURNING COUNTERPART, THE ASPECT 7G STOVE WILL ADD AN ELEGANT FOCAL POINT TO YOUR HOME.

A beautiful combination of stylish aesthetics and innovative gas fire technology, the Aspect 7G is perfect for heating family spaces. With a choice between a log or coal effect and black or stainless-steel handle, you can tailor this model to suit your interior.



SINGLE DOOR

HEAT OUTPUT RANGE

LPG 2.5kW TO 4.5kW

NG (NATURAL GAS) 2.8kW TO 4.4kW

ENERGY

78.1%

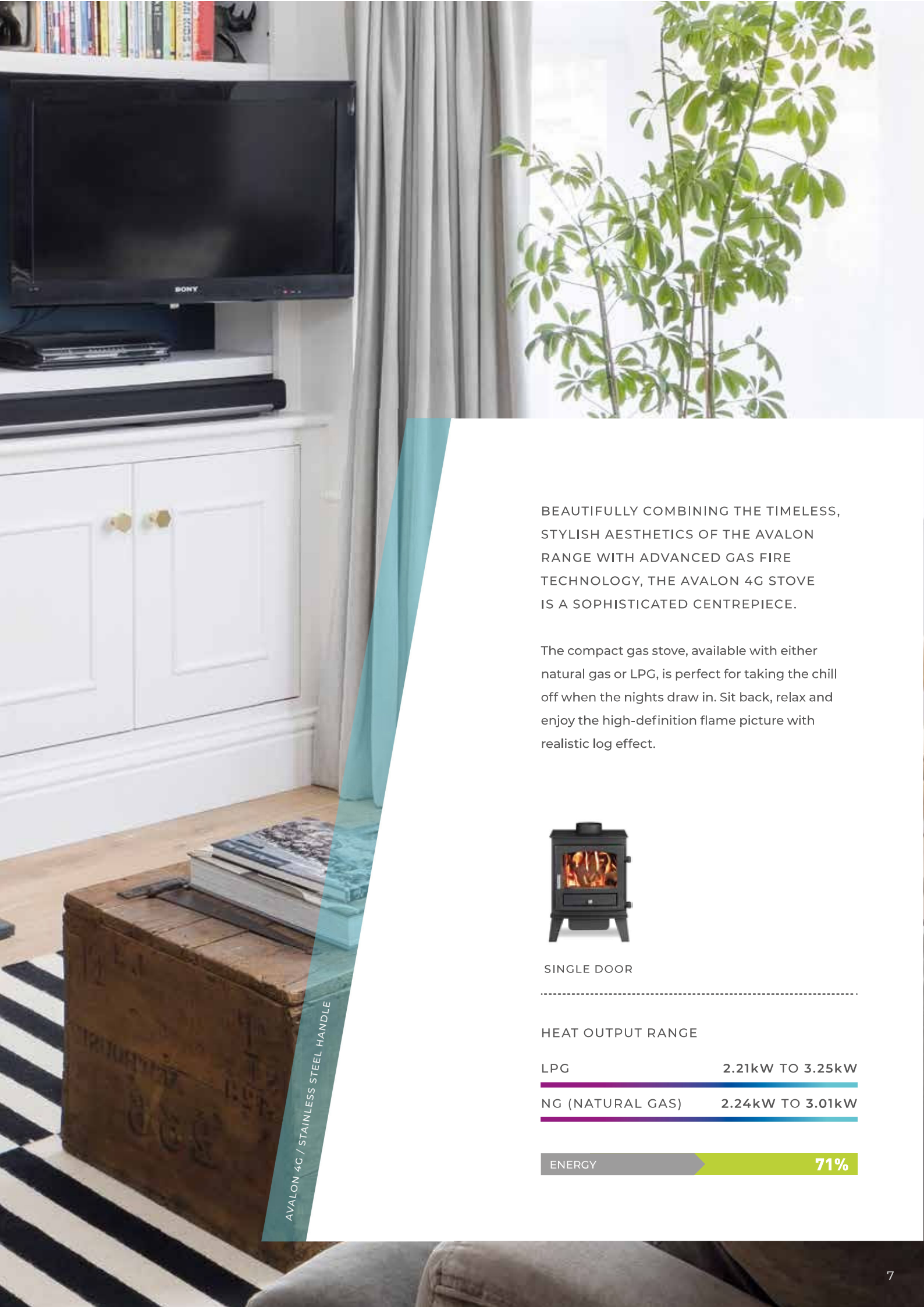
ASPECT 7G / STAINLESS STEEL HANDLE

# ASPECT 7G



# AVALON 4G





BEAUTIFULLY COMBINING THE TIMELESS, STYLISH AESTHETICS OF THE AVALON RANGE WITH ADVANCED GAS FIRE TECHNOLOGY, THE AVALON 4G STOVE IS A SOPHISTICATED CENTREPIECE.

The compact gas stove, available with either natural gas or LPG, is perfect for taking the chill off when the nights draw in. Sit back, relax and enjoy the high-definition flame picture with realistic log effect.



SINGLE DOOR

HEAT OUTPUT RANGE

|                  |                  |
|------------------|------------------|
| LPG              | 2.21kW TO 3.25kW |
| NG (NATURAL GAS) | 2.24kW TO 3.01kW |

ENERGY **71%**

AVALON 4G / STAINLESS STEEL HANDLE



AN ELEGANT ADDITION TO YOUR LIVING SPACE, THE AVALON 6G COMBINES THE LATEST GAS FIRE TECHNOLOGY WITH CHIC DESIGN DETAILS.

This gas stove is sure to transform your fireplace with its stylish aesthetics and comforting glow. Plus, the Avalon 6G is controlled with a digital display remote device for added convenience.



SINGLE DOOR

HEAT OUTPUT RANGE

|                  |                |
|------------------|----------------|
| LPG              | 2.5kW TO 4.5kW |
| NG (NATURAL GAS) | 2.8kW TO 4.4kW |

ENERGY

75%

MAILON 6G / STAINLESS STEEL HANDLE

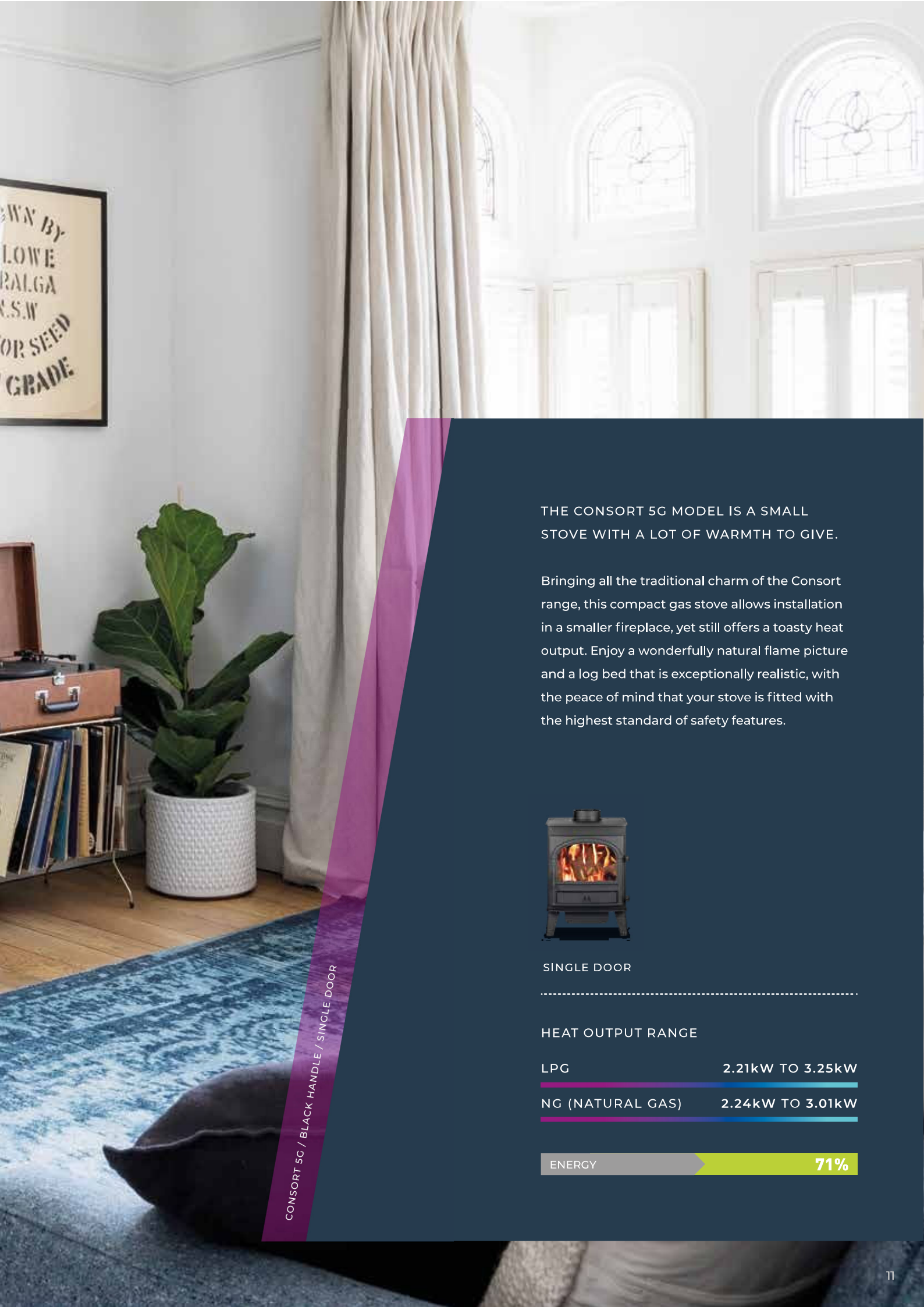


# AVALON 6G



# CONSORT 5G





THE CONSORT 5G MODEL IS A SMALL STOVE WITH A LOT OF WARMTH TO GIVE.

Bringing all the traditional charm of the Consort range, this compact gas stove allows installation in a smaller fireplace, yet still offers a toasty heat output. Enjoy a wonderfully natural flame picture and a log bed that is exceptionally realistic, with the peace of mind that your stove is fitted with the highest standard of safety features.



SINGLE DOOR

HEAT OUTPUT RANGE

|                  |                  |
|------------------|------------------|
| LPG              | 2.21kW TO 3.25kW |
| NG (NATURAL GAS) | 2.24kW TO 3.01kW |



CONSORT 5G / BLACK HANDLE / SINGLE DOOR

FULL OF TRADITIONAL CHARM,  
THE CONSORT 7G RANGE PROVIDES  
A SPLENDID BACKDROP FOR  
TREASURED FAMILY TIME.

The Consort 7G combines a timeless design with forward-thinking gas technology to create an enchanting focal point for your home. With a digital display remote control for added convenience, you can simply sit back and enjoy the view.



SINGLE DOOR



DOUBLE DOOR

HEAT OUTPUT RANGE

LPG 2.5kW TO 4.5kW

NG (NATURAL GAS) 2.8kW TO 4.4kW

ENERGY **75%**

CONSORT 7G / BLACK HANDLE / DOUBLE DOOR



# CONSORT 7G



# Create a focal point with our brand new fireplace range

NOTHING CREATES A WARMING FOCAL POINT QUITE LIKE A COSY FIRE, AND A FIREPLACE IS THE PERFECT ADORNMENT TO ANY FIRE OR STOVE - TRADITIONAL OR CONTEMPORARY. WITH THE LAUNCH OF OUR BRAND NEW RANGE OF FIREPLACES WE PROVE THAT RELAXATION SHOULD FEEL TIMELESS.



Combining clean lines and elegant carvings, this fireplace incorporates a black granite hearth with Aegean limestone making this a versatile choice. Forming the perfect style statement in any property, the simplistic details of the Hourglass offer a harmonious ambience for you to enjoy time after time.

|                            |                    |
|----------------------------|--------------------|
| MAIN BODY:                 | AEGEAN LIMESTONE   |
| SLIPS:                     | AEGEAN LIMESTONE   |
| HEARTH:                    | BLACK GRANITE      |
| HEIGHT:                    | 1098MM             |
| WIDTH:                     | 1220MM             |
| DEPTH:                     | 400MM              |
| BUILDERS OPENING REQUIRED: | 850W X 900H X 460D |

# HOURGLASS FIREPLACE



# LACUNA

FIREPLACE





THE LACUNA FIREPLACE IS MADE FOR THAT SPACE JUST WAITING TO BE FILLED - THE PERFECT ADDITION TO ANY HOME. WITH ITS SIMPLE YET STRIKING DESIGN, THE LACUNA WILL COMPLEMENT A RANGE OF INTERIORS, CONTEMPORARY OR TRADITIONAL.

Made from Aegean limestone, its effortless appearance turns elegance into a fireplace that will never go out of style. With clean-cut lines complementing the striking black granite hearth, sit down and allow time to stop as you appreciate the warmth and enjoyment from the flames within.

---

|                               |                    |
|-------------------------------|--------------------|
| MAIN BODY:                    | AEGEAN LIMESTONE   |
| SLIPS:                        | BLACK GRANITE      |
| HEARTH:                       | BLACK GRANITE      |
| HEIGHT:                       | 1098MM             |
| WIDTH:                        | 1220MM             |
| DEPTH:                        | 400MM              |
| BUILDERS OPENING<br>REQUIRED: | 850W X 900H X 460D |



# GAS COLLECTION

## features

|   | ASPECT 7G                | AVALON 4G                | AVALON 6G                | CONSORT 5G               | CONSORT 7G               |
|---|--------------------------|--------------------------|--------------------------|--------------------------|--------------------------|
| -----   |                          |                          |                          |                          |                          |
| Heat output range (kW)                                  |                          |                          |                          |                          |                          |
| LPG:  | 2.5kW – 4.5kW            | 2.21kW – 3.25kW          | 2.5kW – 4.5kW            | 2.21kW – 3.25kW          | 2.5kW – 4.5kW            |
| NATURAL GAS (NG):                                       | 2.8kW – 4.4kW            | 2.24kW – 3.01kW          | 2.8kW – 4.4kW            | 2.24kW – 3.01kW          | 2.8kW – 4.4kW            |
| -----   |                          |                          |                          |                          |                          |
| Gas consumption (m <sup>3</sup> /hr)                    |                          |                          |                          |                          |                          |
| LPG:  | 0.244                    | 0.176                    | 0.244                    | 0.176                    | 0.244                    |
| NG:   | 0.619                    | 0.447                    | 0.619                    | 0.447                    | 0.619                    |
| -----   |                          |                          |                          |                          |                          |
| NOx Class   |                          |                          |                          |                          |                          |
| LPG:  | 5                        | 5                        | 5                        | 5                        | 5                        |
| NG:   | 4                        | 4                        | 4                        | 4                        | 4                        |
| -----   |                          |                          |                          |                          |                          |
| Efficiency class  |                          |                          |                          |                          |                          |
| LPG:  | 2                        | 2                        | 2                        | 2                        | 2                        |
| NG:   | 2                        | 2                        | 2                        | 2                        | 2                        |
| -----   |                          |                          |                          |                          |                          |
| Natural Gas   | Y                        | Y                        | Y                        | Y                        | Y                        |
| -----   |                          |                          |                          |                          |                          |
| LPG   | Y                        | Y                        | Y                        | Y                        | Y                        |
| -----   |                          |                          |                          |                          |                          |
| Remote Control  | Y                        | Y                        | Y                        | Y                        | Y                        |
| -----   |                          |                          |                          |                          |                          |
| Single Door   | Y                        | Y                        | Y                        | Y                        | Y                        |
| -----   |                          |                          |                          |                          |                          |
| Double Door   | N                        | N                        | N                        | N                        | Y                        |
| -----   |                          |                          |                          |                          |                          |
| Stainless steel Handle                                  | Y                        | Y                        | Y                        | Y                        | N                        |
| -----   |                          |                          |                          |                          |                          |
| Black Handle  | Y                        | Y                        | Y                        | Y                        | Y                        |
| -----   |                          |                          |                          |                          |                          |
| Coal  | Y                        | N                        | Y                        | N                        | Y                        |
| -----   |                          |                          |                          |                          |                          |
| Realistic log   | Y                        | Y                        | Y                        | Y                        | Y                        |
| -----   |                          |                          |                          |                          |                          |
| Flue collar with width (mm)                             | 127mm                    | 127mm                    | 127mm                    | 127mm                    | 127mm                    |
| -----   |                          |                          |                          |                          |                          |
| Energy efficiency rating                                | E                        | E                        | E                        | E                        | E                        |
| -----   |                          |                          |                          |                          |                          |
| Efficiency (%)  | 78.1                     | 71                       | 75                       | 71                       | 75                       |
| -----   |                          |                          |                          |                          |                          |
| Flue collar height (mm)                                 | 40mm                     | 40mm                     | 40mm                     | 40mm                     | 40mm                     |
| -----   |                          |                          |                          |                          |                          |
| Clearance distances to combustibile materials (mm)*     | Side 100mm<br>Rear 100mm | Side 150mm<br>Rear 100mm | Side 100mm<br>Rear 100mm | Side 150mm<br>Rear 100mm | Side 100mm<br>Rear 100mm |
| -----   |                          |                          |                          |                          |                          |
| Clearance distances to non-combustibile materials (mm)* | Side 50mm<br>Rear 100mm  | Side 100mm<br>Rear 100mm | Side 50mm<br>Rear 100mm  | Side 100mm<br>Rear 100mm | Side 50mm<br>Rear 100mm  |

Y = YES    N = NO

\* Distances when installed with a twin walled flue.

# INSTALLING YOUR NEW GAS STOVE

CHOOSING GAS IS A CONVENIENT WAY TO RELISH IN THE WARMTH AND THE VIEWS YOUR STOVE BRINGS. WHETHER YOU'RE THE TRADITIONAL WOOD BURNER TYPE OR SEARCHING FOR YOUR FIRST BRAND NEW STOVE ENTIRELY, GOING WITH GAS COULDN'T BE SIMPLER.

---

## WHERE CAN MY GAS STOVE GO?

Good news! Any installation area previously used for a solid fuel fire or stove will probably be deemed suitable for the appliance.

## WILL I NEED TO INSTALL AIR VENTS?

No. As the supply gas heat input into the appliance is nominally less than 7kW, no additional air vents are required in the room in which the appliance is situated. (Under the current Health and Safety Executive gas safety and use regulations)

---

## HOW IS MY STOVE CONNECTED TO THE MAINS?

The appliance is supplied with an 8mm Bundy pipe and an 8mm compression elbow to allow easy connection to the mains gas supply and is connected to the burner by a 14mm spanner.

## WILL I NEED TO GET MY GAS STOVE SERVICED?

As with any stove, we recommend having an annual service carried out. A GAS SAFE registered fitter using only original Hunter Stoves parts should carry out the servicing.

---

## WHO CAN FIT MY STOVE?

A Gas Safe Registered Installer must fit your new gas stove. This person is responsible for the safe installation of your appliance.

## WHERE CAN THE FLUE BE FITTED?

The Hunter Gas freestanding stoves can be flued from either the top or the rear of the stove. The choice is yours!

# FEATURES

## THE REALISTIC FLAMES OF A NATURAL WOOD BURNER AT THE PUSH OF A BUTTON

WINDING DOWN SHOULDN'T FEEL LIKE HARD WORK, AND A HUNTER GAS STOVE ADDS A SIMPLE SOLUTION

Our Hunter Gas collection mimics natural flames perfectly, providing the mesmerising view a real wood burner brings at the touch of a button.

Every stove comes with a remote control, so you can easily regulate the room temperature to suit your needs and adjust the flame size to create the perfect ambience.

The remote control is also designed to avoid accidental operation, keeping you and your family safe.

Simple programming means you can put the gas stove into snooze mode or set it to turn the fire off automatically.

WITH THE HUNTER GAS COLLECTION, RELAXATION IS EFFORTLESS.



## SPECIAL *features*

BATTERY  
OPERATED

---

12HR OR  
24HR DISPLAY

---

SNOOZE MODE

---

THERMOSTATIC  
MODE

---

ROOM  
TEMPERATURE

---

## GAS *options*

DIGITAL DISPLAY  
REMOTE CONTROL

Comes as standard with all gas stoves.

---

HANDLES

Black or stainless steel to complete  
your stove's look. See technical table  
for all options.

---

FUEL BED

Choose between an exceptionally  
realistic log or coal fuel bed.

---

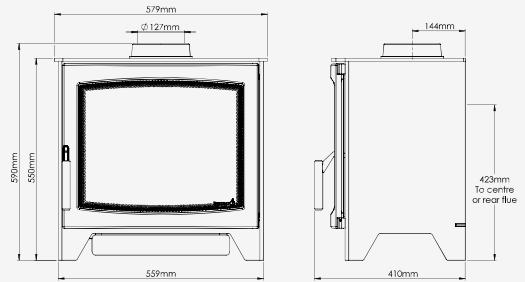
GAS TYPE

Natural Gas or LPG available.

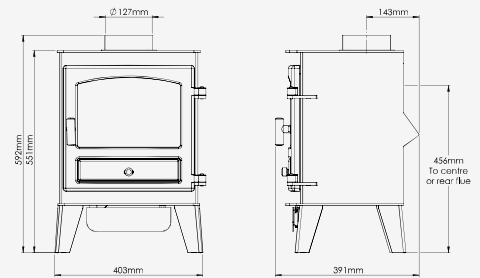
---

# DIMENSIONS

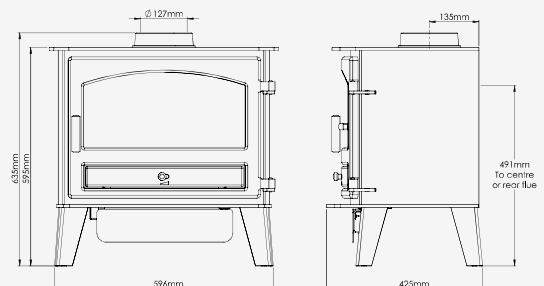
## ASPECT 7G



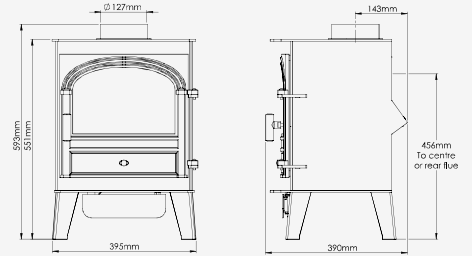
## AVALON 4G



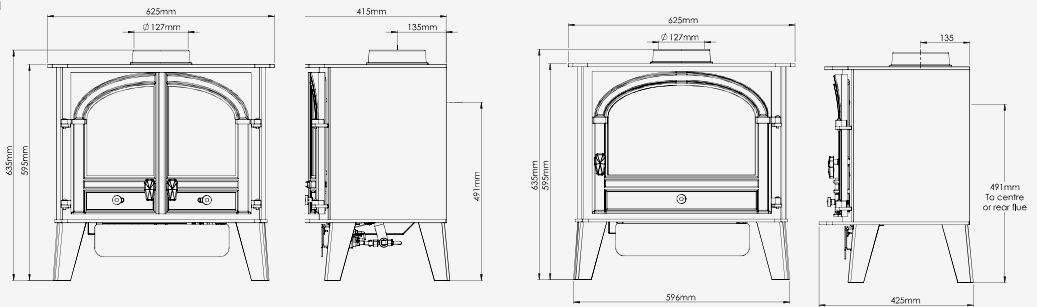
## AVALON 6G



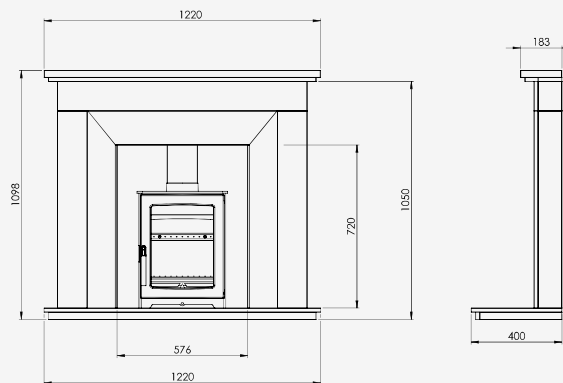
## CONSORT 5G



## CONSORT 7G



## HOURGLASS



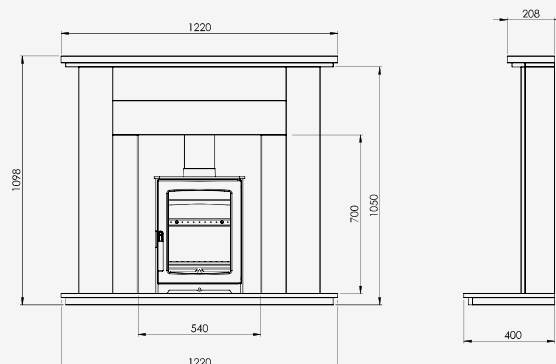
**Materials:**

Main Body: Aegean Limestone  
Slips: Aegean Limestone  
Hearth: Black Granite

**Builders Opening Required:**  
850W x 900H x 460D

**To Note:**  
All measurements are in mm

## LACUNA



**Materials:**

Main Body: Aegean Limestone  
Slips: Black Granite  
Hearth: Black Granite

**Builders Opening Required:** 850W  
x 900H x 460D

**To Note:**  
All measurements are in mm



hunterstoves  
GROUP

8 EMPEROR WAY EXETER DEVON UK EX1 3QS

INFO@HUNTERSTOVES.CO.UK WWW.HUNTERSTOVES.CO.UK

