



HENLEY[®] STOVES

EVERY HOME DESERVES A HENLEY

THE STOVE COLLECTION 2023

VOL - II





HENLEY STOVES

Henley Stoves is one of the fastest growing stove brands in both Ireland and the UK.

At Henley we are committed to providing quality products at affordable prices backed up with a market leading focus on customer service.

From factory floor to family home, our customers are our first priority.

We pride ourselves on using new designs, new technology and new environmentally friendly standards to ensure we are a market leader in the provision of the latest quality affordable stoves.

We service a range of customers across Ireland and the UK from our distribution centres in South West Ireland, Dublin and Ely in the UK.

We have a range of products from traditional wood burning stoves to a wide and exclusive range of bioethanol stoves.

Henley has been at the heart of homes across Ireland and the UK since 1989.



Henley Story	02
Icon Keystone	04

ECO STOVES

Muckross	6
Glenwood	8
Redwood	10
Hazelwood Compact	12
Hazelwood Landscape	14
Hazelwood Landscape Logbox	16
Hazelwood Double Sided	18
Leaf	20
Lincoln	22
Lincoln Logbox	24
Elcombe	26
Elcombe Logbox	28
Hampton	30
Elmwood	32
Burnbright	34
Alderwood	36
Willow	38
Sherwood 5	40
Sherwood 7	42
Hampshire 5	44
Hampshire 7	46



ECODESIGN READY 2022

All Henley Ecodesign stoves in this brochure are stamped with our Ecodesign Ready 2022 logo.



SIA ECO-DESIGN READY

A Henley stove with this icon is a stove which meets the future EU Standards planned for 2022.



DEFRA EXEMPT

A Henley stove with this icon is Defra exempt and has been fully tested to this standard. A Defra exempt stove can be used in a Smoke Control Area whereas a non DEFRA stove cannot.



EXTERNAL AIR

A Henley stove has an external air facility allowing the air to come directly from outside your building rather than through a vent in the room. This is required for heat recovery systems in new build projects.



MULTIFUEL GRATE

A Henley stove with this icon is a stove which comes with a Multifuel Grate.



CLEARSKIES

A clearSkies label means you can be assured that the Henley stove meets all the energy and efficiency criteria, and the different levels allow you to identify how far beyond Ecodesign criteria they go in terms of reducing emissions and increasing efficiency.



EUROPEAN STANDARD

European Standard of testing for stoves fired by solid fuel, incorporating corrigenda September 2003, June 2006 and August 2007.



5 YEAR WARRANTY

Henley stoves come with a 5 year warranty on the body of the stove.



15% improvement in emission & efficiency performance on Level 4; And Defra exempt.



AIR-WASH

All Henley stoves come with an air-wash system which helps to keep the glass clean. It uses a specially placed vent or vents to draw in air from the outside which will wash over the front of the glass.



CLEAN BURN

A Henley stove has a tertiary air system. This creates a clean-burn system where hot air is pushed into the firebox above the normal height of the fire. This allows the excess gases to combust giving a cleaner burn.



WOOD BURNING

This icon denotes that this Henley stove uses Wood Fuel only.

eco design Ready Comparisons



90% LESS
Particulated emissions compared to an open fire

70% CHEAPER
To run than an open fire

60% MORE
Efficient than an open fire



5 Logs*

To produce 4kWh of heat over 5 hours



*Kiln dried hardwood

A & A+ Energy rating

HENLEY eco design STOVE

16 Logs*

To produce 4kWh of heat over 5 hours



*Kiln dried hardwood

G Energy rating

OPEN FIREPLACE

7 Logs*

To produce 4kWh of heat over 5 hours



*Kiln dried hardwood

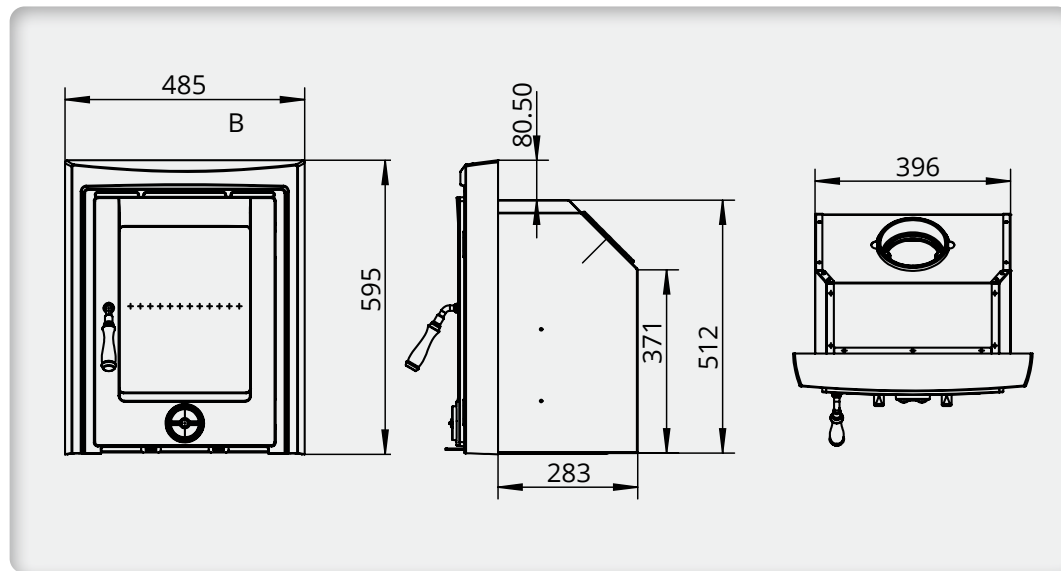
B Energy rating

10 YEAR OLD STOVE

MUCKROSS

ROOM HEATER - INSERT

The Muckross insert multi-fuel stove boasts an impressive 83.3% efficiency rating and is eco-design compliant. The air-wash system keeps the glass clear for an uninterrupted view of the flames, while its insert design allows it to fit most standard fireplace openings. The cast iron door adds both durability and elegance to this stove.



SPECIFICATIONS

Fuel:	<i>Multifuel</i>
Nominal Heat Output & Range	<i>4.6kW</i>
Energy Class:	<i>A</i>
Efficiency:	<i>83.3%</i>
Flue Size:	<i>127mm</i>

FEATURES

- Large viewing window
- Cast iron door
- Steel body
- Primary air intake
- Secondary air intake
- Advanced air wash
- Suitable for 12mm hearth
- 2022 Ecodesign ready

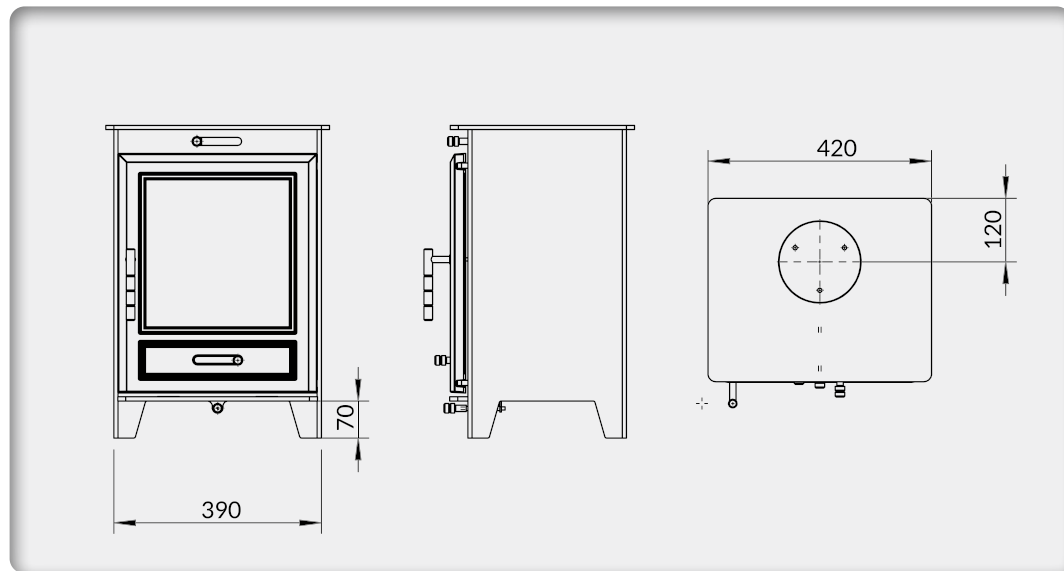




GLENWOOD

ROOM HEATER - FREESTANDING

The Glenwood, a versatile and efficient multi-fuel stove from Henley Stoves. With its sleek Rustic Design Style and freestanding structure, this stove is the perfect addition to any modern home. Boasting a 5kW output and 79.0% efficiency, the Glenwood provides a powerful and cost-effective heating solution for your living space. Equipped with air-wash technology, this stove ensures a clear view of the flames, enhancing the ambience of your room.



SPECIFICATIONS

Fuel:	Multifuel
Nominal Heat Output & Range:	5kW
Energy Class:	A
Efficiency:	79%
Flue Size:	127mm

FEATURES

- Large viewing window
- Cast iron door
- Steel body
- Primary air intake
- Advanced air wash
- 2022 Ecodesign ready
- Suitable for 12mm hearth
- Multifuel grate

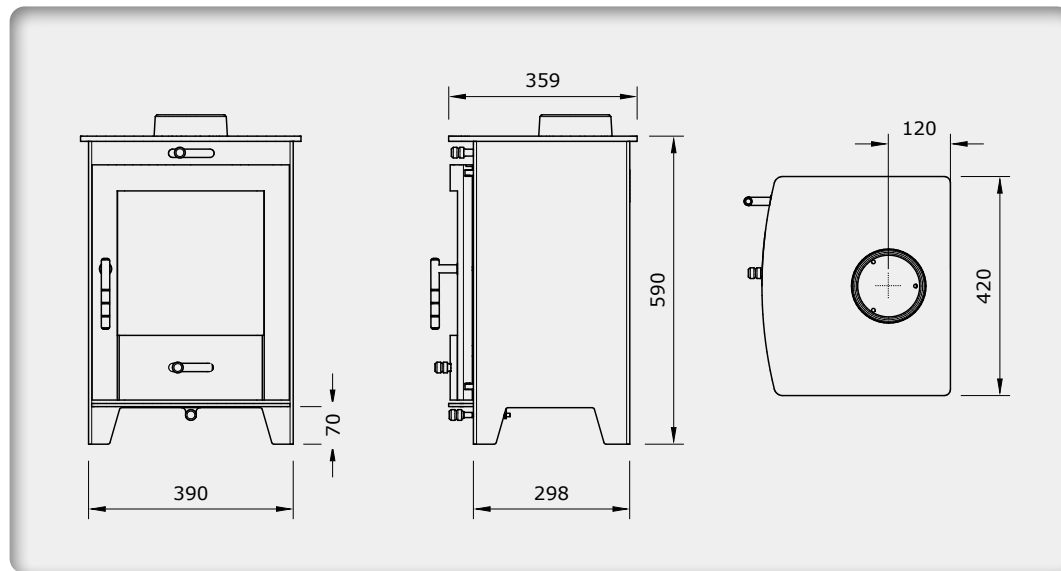




REDWOOD

ROOM HEATER - FREESTANDING

The Redwood stove is the perfect addition to any home seeking warmth and style. This multi-fuel stove boasts a 5 kW output and an impressive 79.0% efficiency rating, ensuring your home is cozy and efficient. Equipped with an air-wash feature, The Redwood is easy to maintain and keep clean. With its Transitional Design Style, this freestanding stove is both modern and timeless, blending seamlessly into any decor.



SPECIFICATIONS

Fuel:	Multifuel
Nominal Heat Output & Range:	5kW
Energy Class:	A
Efficiency:	79%
Flue Size:	127mm

FEATURES

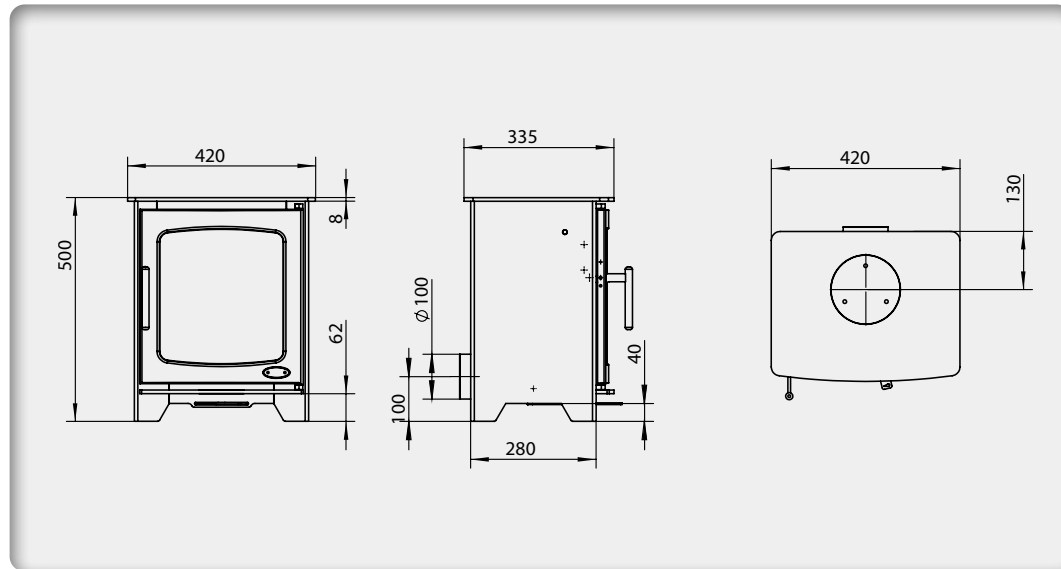
- Large viewing window
- Cast iron door
- Steel body
- Primary air intake
- Advanced air wash
- 2022 Ecodesign ready
- Suitable for 12mm hearth
- Multifuel grate



HAZELWOOD COMPACT

ROOM HEATER - FREESTANDING

Introducing the Hazelwood range. These new wood-burners meet Henley's high environmental standards, ensuring a clean & efficient burn. With the Hazelwood range, you can be safe in the knowledge that you are heating your home with one of the most reliable & Eco friendly stoves in our range.



SPECIFICATIONS

Fuel:	Wood Burning
Nominal Heat Output & Range	4.9kW
Energy Class:	A
Efficiency:	79.8%
Flue Size:	127mm

FEATURES

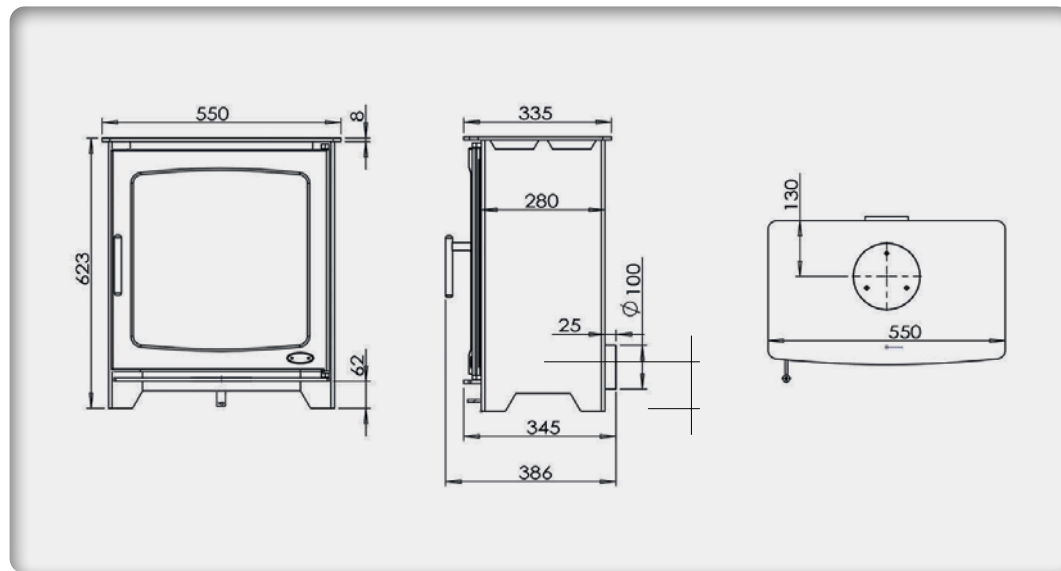
- Large viewing window
- Cast iron door
- Steel body
- Primary air intake
- External air supply
- 2022 Ecodesign ready
- Defra exempt
- Suitable for 12mm hearth



HAZELWOOD LANDSCAPE

ROOM HEATER - FREESTANDING

The Hazelwood Landscape is one of Henley's most popular designs. These wood burning stoves meet the highest environmental standards ensuring the optimum efficiency and heat output.



SPECIFICATIONS

Fuel:	Wood Burning
Nominal Heat Output & Range:	4.9kW
Energy Class:	A
Efficiency:	78.4%
Flue Size:	127mm

FEATURES

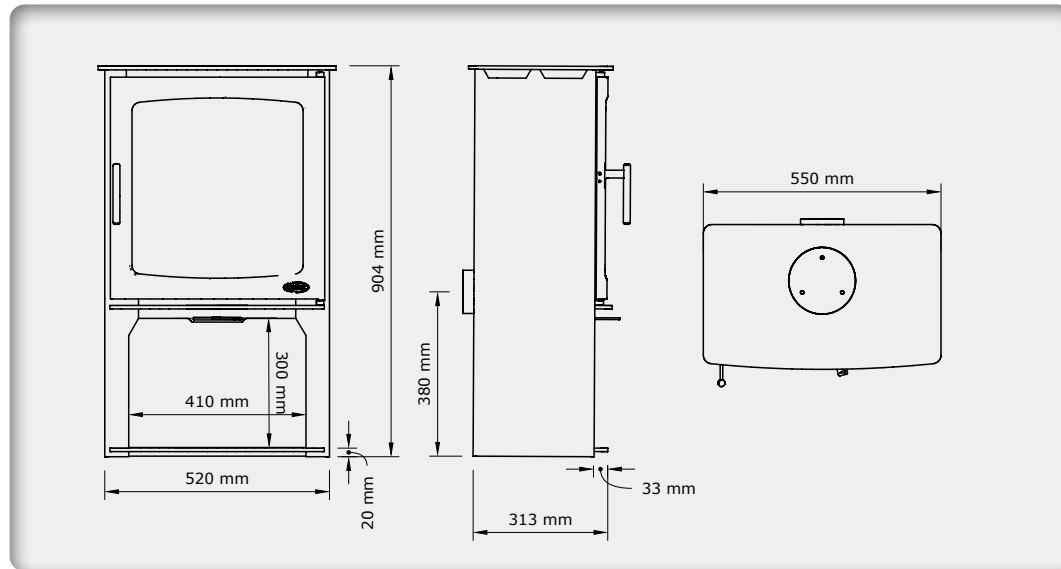
- Large viewing window
- Cast iron door
- Steel body
- Primary air intake
- External air supply
- 2022 Ecodesign ready
- Defra exempt
- Suitable for 12mm hearth



HAZELWOOD LOGBOX

ROOM HEATER - FREESTANDING

The Hazelwood Logbox range is one of Henley's most popular designs. These wood burning stoves meet the highest environmental standards ensuring the optimum efficiency and heat output.



SPECIFICATIONS

Fuel:	Wood Burning
Nominal Heat Output & Range:	4.9kW
Energy Class:	A
Efficiency:	78.4%
Flue Size:	127mm

FEATURES

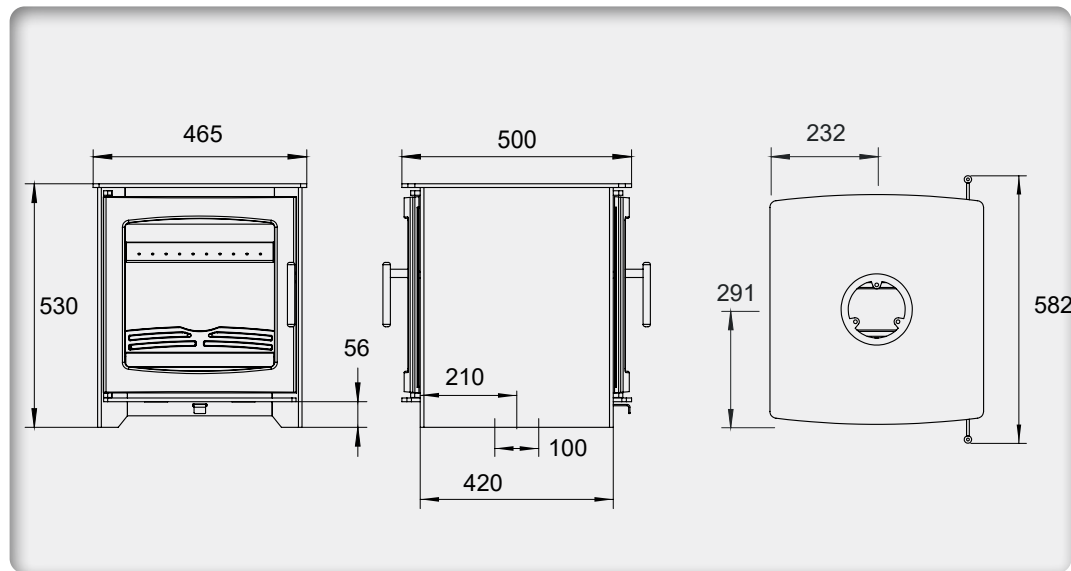
- Large viewing window
- Cast iron door
- Steel body
- Primary air intake
- External air supply
- 2022 Ecodesign ready
- Log store
- Defra exempt
- Suitable for 12mm hearth



HAZELWOOD DOUBLE SIDED

ROOM HEATER - FREESTANDING

Henley's newest addition to the Hazelwood lineup is the Double Sided. A larger double sided wood burner design makes this the perfect centrepiece to your home.



SPECIFICATIONS

Fuel:	Wood Burning
Nominal Heat Output & Range:	6.5kW
Energy Class:	A
Efficiency:	75.8%
Flue Size:	127mm

FEATURES

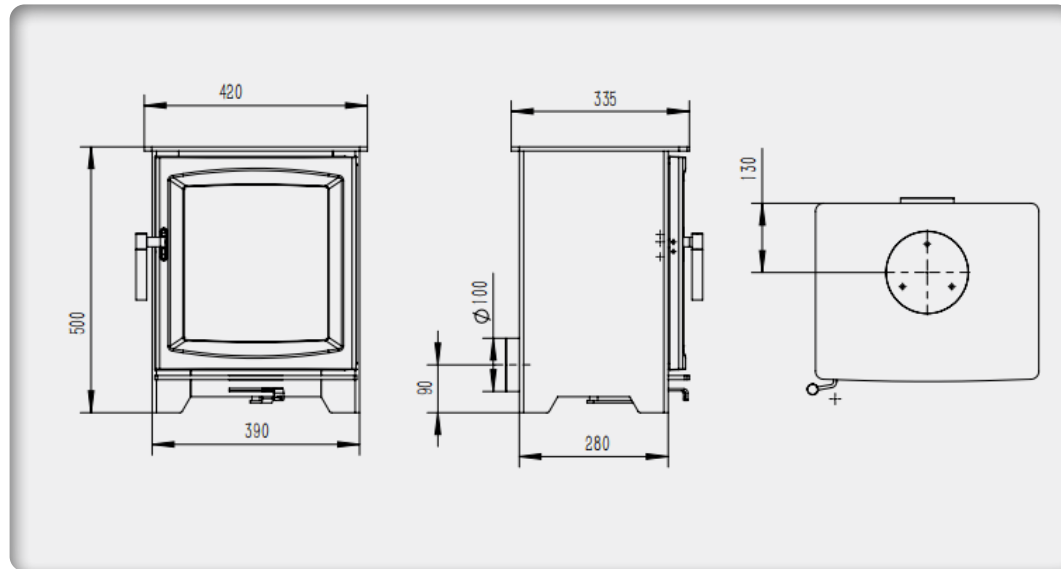
- Large viewing window
- Cast iron door
- Steel body
- Primary air intake
- External air supply
- 2022 Ecodesign ready
- Double sided
- Suitable for 12mm hearth



LEAF

ROOM HEATER - FREESTANDING

The Leaf – a stove with a steel body and a cast iron door that delivers outstanding efficiency and environmental performance. This wood-burner with a heat output of 4.9kW and efficiencies reaching up to 79.8%, is the perfect solution for keeping your home warm and cosy while also being environmentally friendly. Its durable steel body and cast iron door ensure that it will last for years to come, while its sleek design adds a touch of elegance to any room.



SPECIFICATIONS

Fuel:	Wood Burning
Nominal Heat Output & Range	4.9kW
Energy Class:	A
Efficiency:	79.8%
Flue Size:	127mm

FEATURES

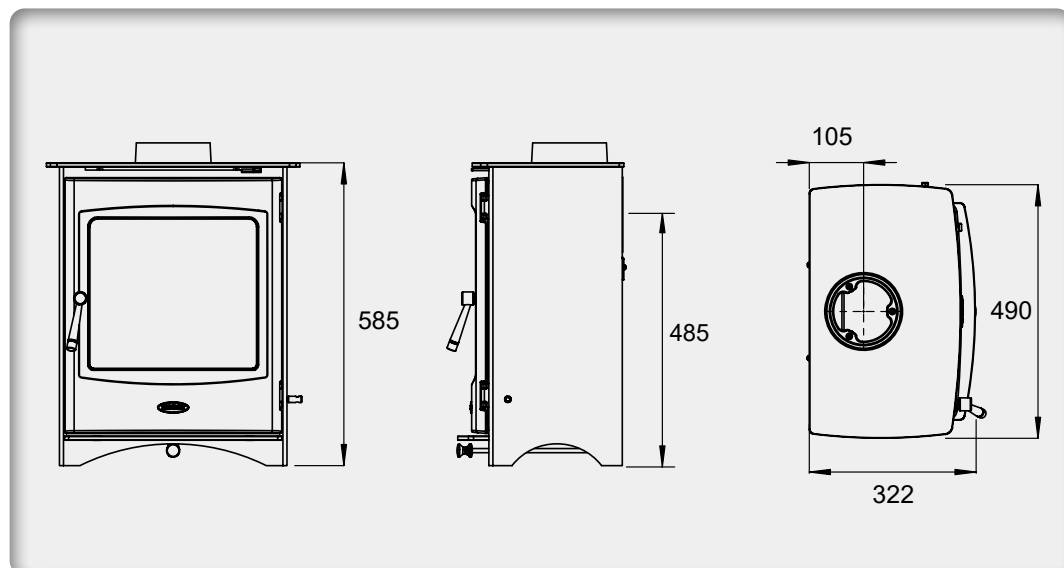
- Large viewing window
- Cast iron door
- Steel body
- Primary air intake
- Secondary air intake
- Advanced air wash
- 2022 Ecodesign ready
- Suitable for 12mm hearth



LINCOLN

ROOM HEATER - FREESTANDING

The Lincoln 5kW room heater stove combines contemporary stove design with a blend of traditional values. Now adapted for the Eco line, its attractive look and superb cast iron build quality makes this stove an excellent choice for any customer, available with or without a Logbox.



SPECIFICATIONS

Fuel:	<i>Multifuel</i>
Nominal Heat Output & Range	<i>5kW</i>
Energy Class:	<i>A</i>
Efficiency:	<i>78.1%</i>
Flue Size:	<i>127mm</i>

FEATURES

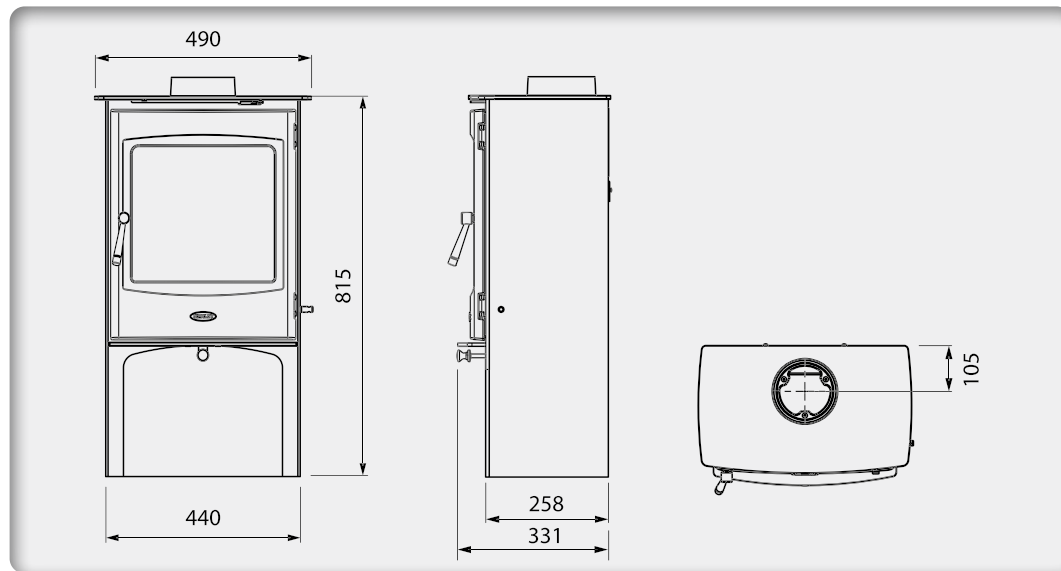
- Large viewing window
- Cast iron door
- Steel body
- Primary air intake
- Secondary air intake
- Advanced air wash
- 2022 Ecodesign ready
- Multifuel grate
- Suitable for 12mm hearth



LINCOLN LOGBOX

ROOM HEATER - FREESTANDING

The Lincoln 5kW room heater stove combines contemporary stove design with a blend of traditional values. Now adapted for the Eco line, its attractive look and superb cast iron build quality makes this stove an excellent choice for any customer, available with or without a Logbox.



SPECIFICATIONS

Fuel:	Multifuel
Nominal Heat Output & Range:	5kW
Energy Class:	A
Efficiency:	78.1%
Flue Size:	127mm

FEATURES

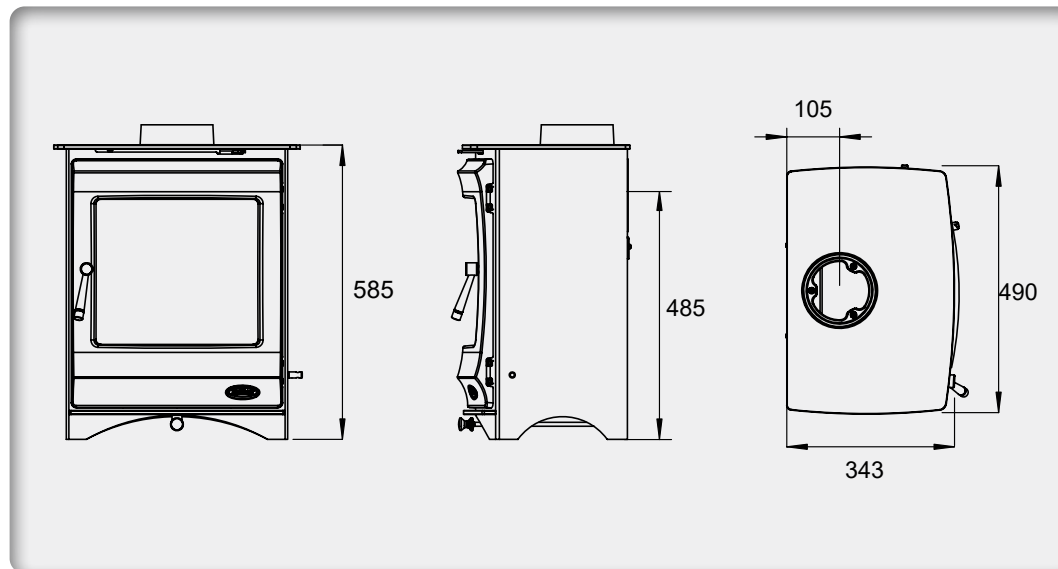
- Large viewing window
- Cast iron door
- Steel body
- Primary air intake
- Secondary air intake
- Advanced air wash
- 2022 Ecodesign ready
- Multifuel grate
- Suitable for 12mm hearth
- Logbox



ELCOMBE

ROOM HEATER - FREESTANDING

Now adapted for the Eco line, the Elcombe 5kW room heater's Output is remarkable for its modest size. Combining a sleek body with solid features, the Elcombe will complement any modern or traditional interior. The Elcombe is also available with Logbox option.



SPECIFICATIONS

Fuel:	Multifuel
Nominal Heat Output & Range	5kW
Energy Class:	A
Efficiency:	78.1%
Flue Size:	127mm

FEATURES

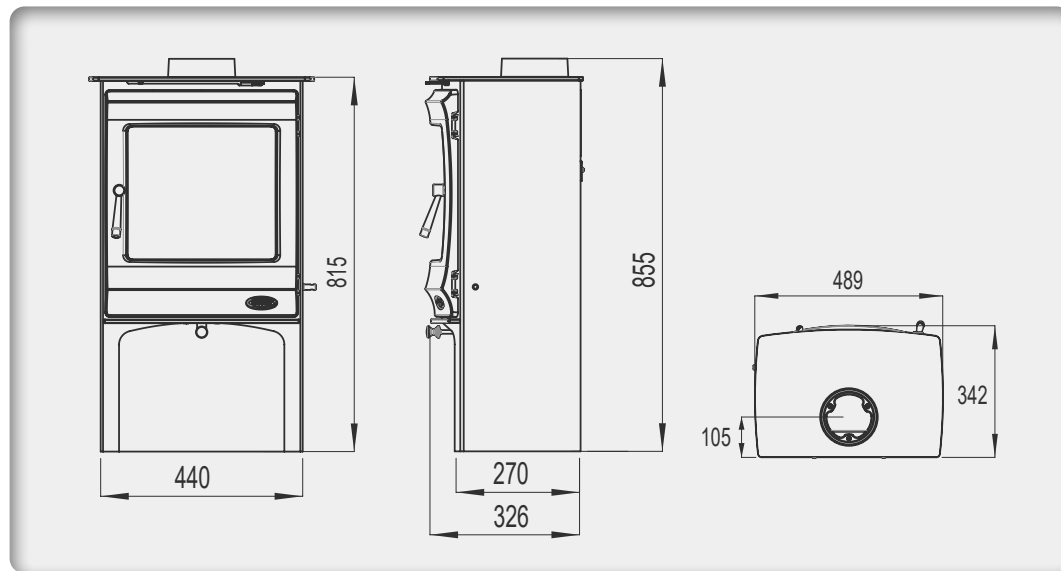
- Large viewing window
- Cast iron door
- Steel body
- Primary air intake
- Secondary air intake
- Advanced air wash
- 2022 Ecodesign ready
- Multifuel grate
- Suitable for 12mm hearth



ELCOMBE LOGBOX

ROOM HEATER - FREESTANDING

Now adapted for the Eco line, the Elcombe 5kW room heater's Output is remarkable for its modest size. Combining a sleek body with solid features, the Elcombe will complement any modern or traditional interior.



SPECIFICATIONS

Fuel:	Multifuel
Nominal Heat Output & Range	5kW
Energy Class:	A
Efficiency:	78.1%
Flue Size:	127mm

FEATURES

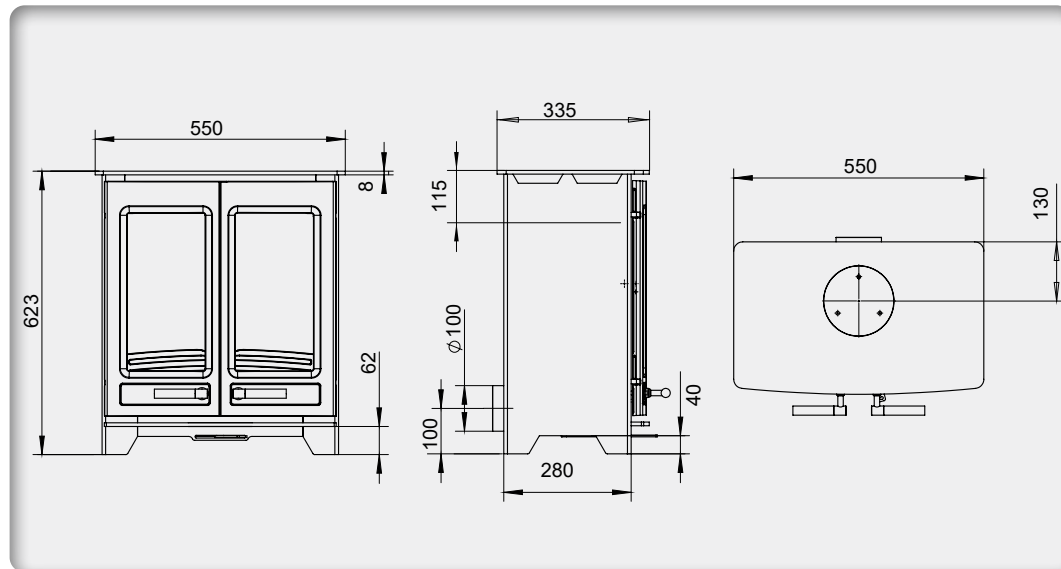
- Large viewing window
- Cast iron door
- Steel body
- Primary air intake
- Secondary air intake
- Advanced air wash
- 2022 Ecodesign ready
- Multifuel grate
- Suitable for 12mm hearth
- Logbox



HAMPTON

ROOM HEATER - FREESTANDING

One of Henley's most classic double door designs. The new Hampton is a steel body stove with classic cast iron doors boasting great efficiency and environmental performance whilst giving a sense of style and tradition to your fireplace.



SPECIFICATIONS

Fuel:	Wood Burning
Nominal Heat Output & Range:	4.9kW
Energy Class:	A
Efficiency:	78.4%
Flue Size:	127mm

FEATURES

- Large viewing window
- Cast iron door
- Steel body
- Primary air intake
- External air supply
- 2022 Ecodesign ready
- Suitable for 12mm hearth
- Double Door

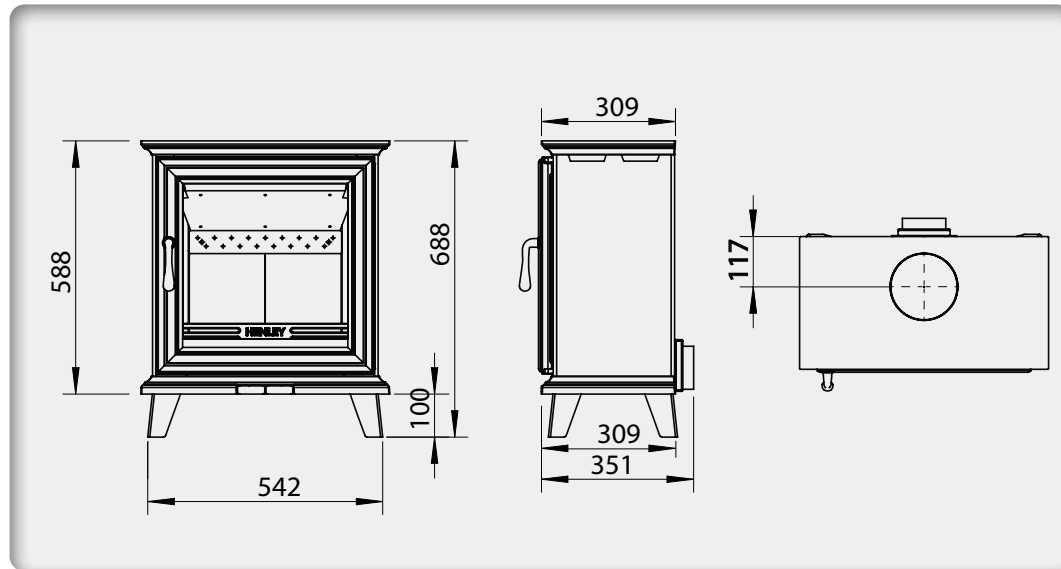


ELMWOOD

ROOM HEATER - FREESTANDING

Introducing the new Elmwood room heater with an Eco Design Ready 6.7kW heat output and high efficiencies, the classic yet modern Victorian design in a matt black finish perfectly frames the large viewing glass to give sensational fireside views.

A 4.9kW wood-burning version is also available.



SPECIFICATIONS

Fuel:	Wood Burning	Multifuel
Nominal Heat Output & Range	4.9kW	6.7kW
Energy Class:	A	A
Efficiency:	78.4%	78.7%
Flue Size:	127mm	127mm

FEATURES

- Large viewing window
- Cast iron door
- Steel body
- Primary air intake
- External air supply
- Advanced air wash
- 2022 Ecodesign ready
- Suitable for 12mm hearth
- Multifuel grate



**A 4.9kW WOOD-BURNING
VERSION IS NOW AVAILABLE.**

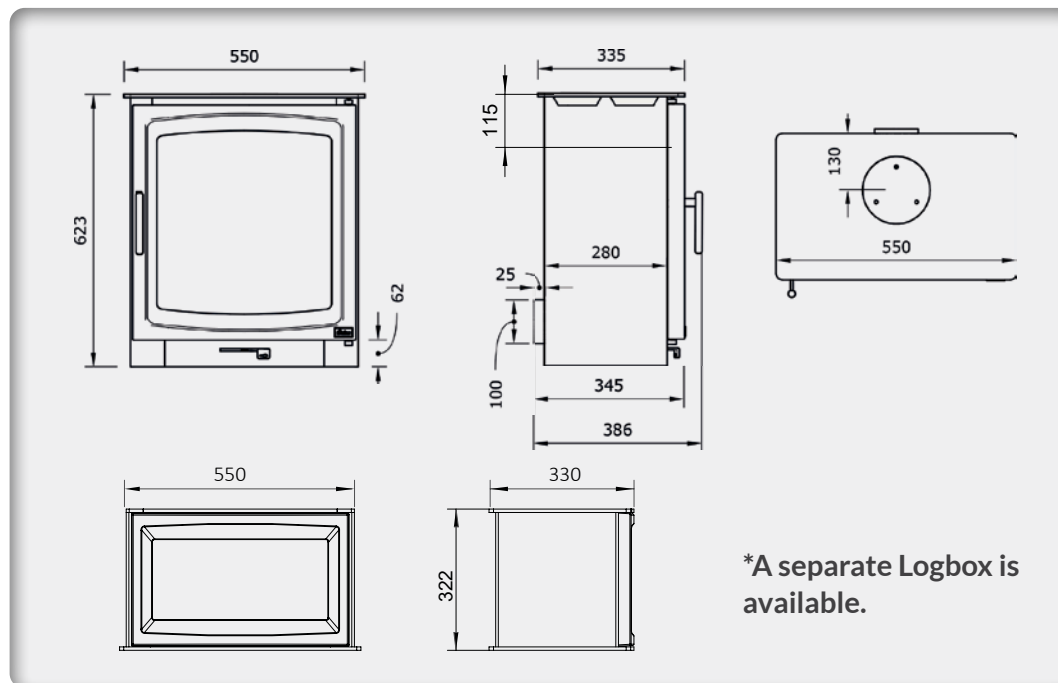


BURNBRIGHT

ROOM HEATER - FREESTANDING

The Burnbright delivers 4.9kW of heat to the room with crystal clear burn and remarkable control. Purposely designed to maximize the view of the fire, the minimal styling of the Burnbright fits comfortably into any fireside situation.

The Burnbright is available in the Landscape & Logbox models.



SPECIFICATIONS

Fuel:	Wood Burning
Nominal Heat Output & Range:	4.9kW
Energy Class:	A
Efficiency:	78.4%
Flue Size:	127mm

FEATURES

- Large viewing window
- Cast iron door
- Steel body
- Primary air intake
- External air supply
- 2022 Ecodesign ready
- Defra exempt
- Suitable for 12mm hearth

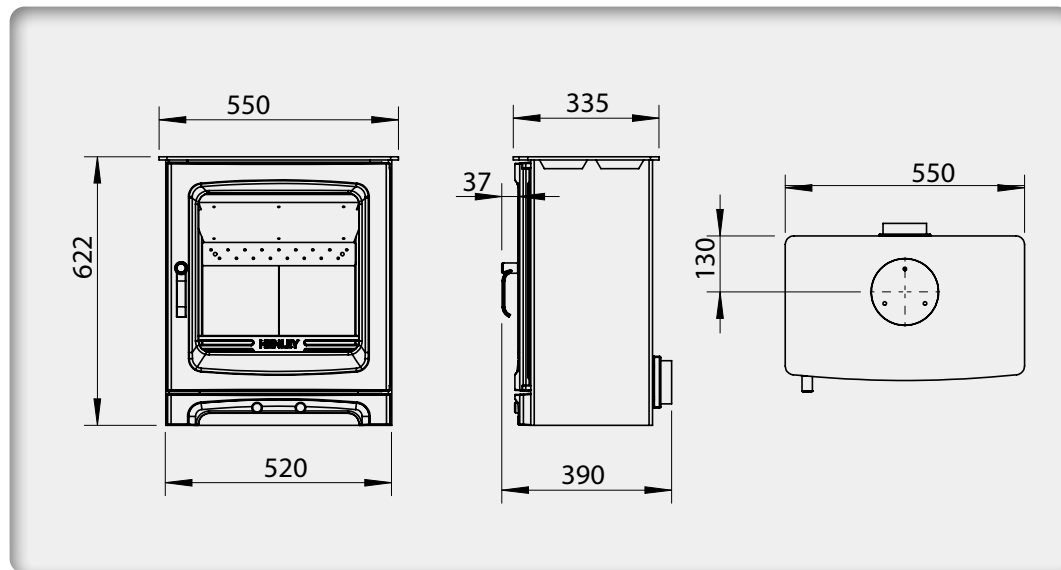




ALDERWOOD

ROOM HEATER - FREESTANDING

The new Alderwood room heater is Eco Design Ready with an efficient 6.7kW heat output. A matt black finish and clean design paired with its high performance make this model a perfect choice for any fireside setting.



SPECIFICATIONS

Fuel:	<i>Multifuel</i>
Nominal Heat Output & Range:	<i>6.7kW</i>
Energy Class:	<i>A</i>
Efficiency:	<i>78.7%</i>
Flue Size:	<i>127mm</i>

FEATURES

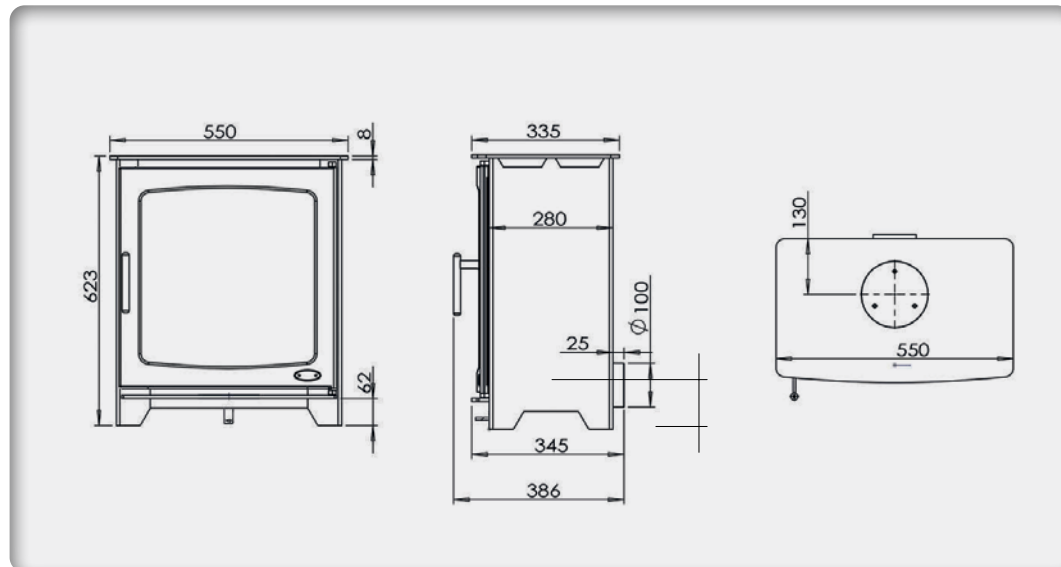
- Large viewing window
- Cast iron door
- Steel body
- Primary air intake
- External air supply
- Advanced air wash
- 2022 Ecodesign ready
- Suitable for 12mm hearth
- Multifuel grate



WILLOW

ROOM HEATER - FREESTANDING

The Willow room heater is Eco Design Ready with a 6.7kW heat output. The simplicity of the matt black finish combined with the contemporary design make this model a popular choice for new builds.



SPECIFICATIONS

Fuel:	<i>Multifuel</i>
Nominal Heat Output & Range	<i>6.7kW</i>
Energy Class:	<i>A</i>
Efficiency:	<i>78.7%</i>
Flue Size:	<i>127mm</i>

FEATURES

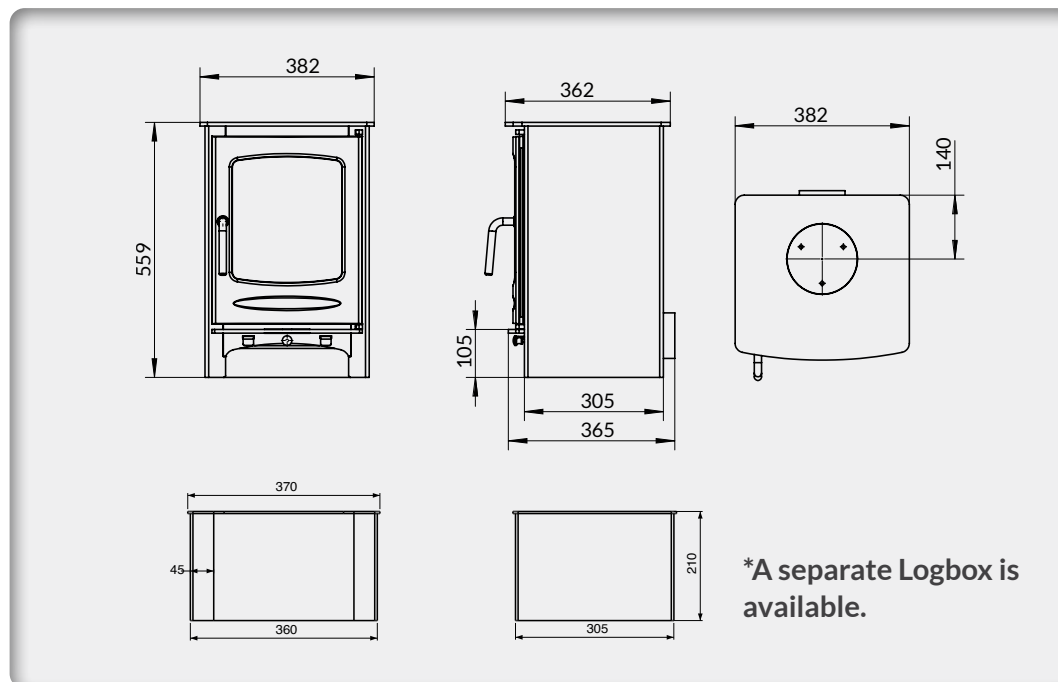
- Large viewing window
- Cast iron door
- Steel body
- Primary air intake
- External air supply
- Advanced air wash
- 2022 Ecodesign ready
- Suitable for 12mm hearth
- Multifuel grate



SHERWOOD 5

ROOM HEATER - FREESTANDING

The Sherwood stove is the perfect blend of style and performance. With an output of 5kW and an efficiency rating of up to 77.9%, this stove delivers warmth and comfort to your home. Class A energy rating ensures efficient heating, while the clean and sleek design in a matt black finish adds an elegant touch to any room.



SPECIFICATIONS

Fuel:	<i>Multifuel</i>
Nominal Heat Output & Range	<i>5kW</i>
Energy Class:	<i>A</i>
Efficiency:	<i>77.9%</i>
Flue Size:	<i>127mm</i>

FEATURES

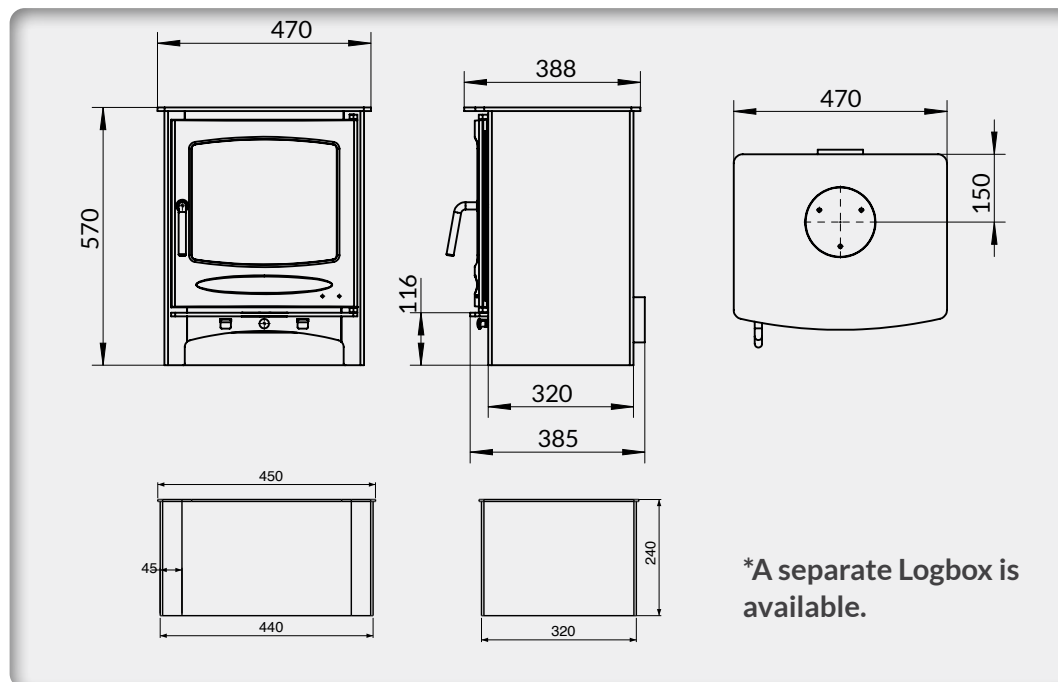
- Large viewing window
- Cast iron door
- Steel body
- Primary air intake
- Secondary air intake
- External air supply
- Advanced air wash
- Suitable for 12mm hearth
- 2022 Ecodesign ready
- Multifuel grate



SHERWOOD 7

ROOM HEATER - FREESTANDING

The Sherwood stove is the perfect blend of style and performance. With an output of 6.8kW and an efficiency rating of up to 76.5%, this stove delivers warmth and comfort to your home. Class A energy rating ensures efficient heating, while the clean and sleek design in a matt black finish adds an elegant touch to any room.



SPECIFICATIONS

Fuel:	<i>Multifuel</i>
Nominal Heat Output & Range:	<i>6.8kW</i>
Energy Class:	<i>A</i>
Efficiency:	<i>76.5%</i>
Flue Size:	<i>127mm</i>

FEATURES

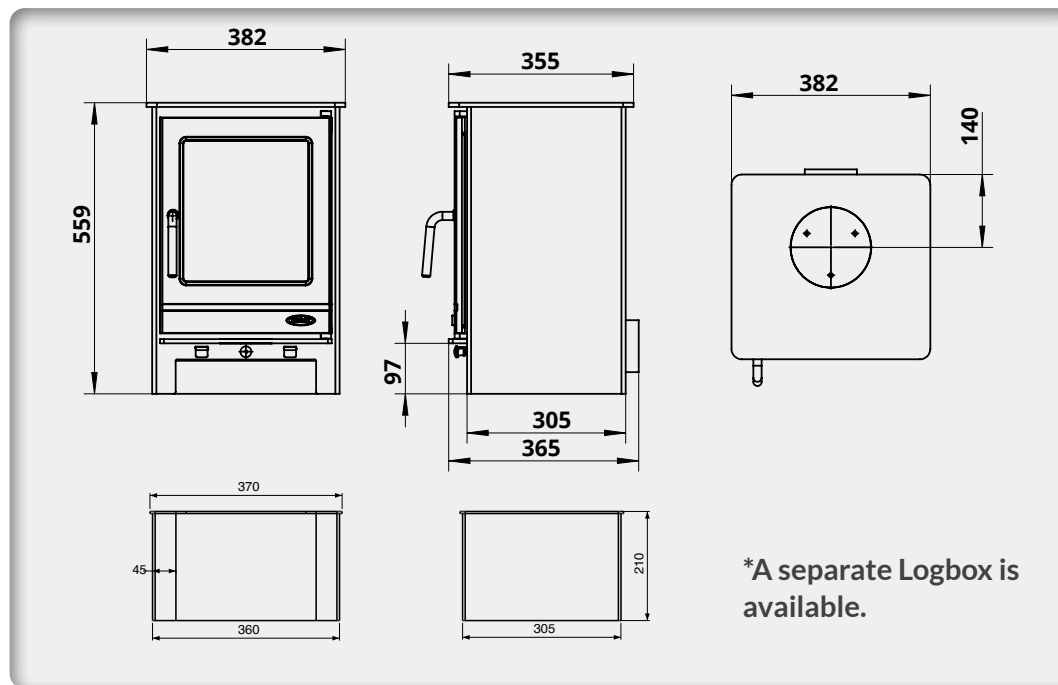
- Large viewing window
- Cast iron door
- Steel body
- Primary air intake
- Secondary air intake
- External air supply
- Advanced air wash
- Suitable for 12mm hearth
- 2022 Ecodesign ready
- Multifuel grate



HAMPSHIRE 5

ROOM HEATER - FREESTANDING

The Hampshire stove is the perfect blend of style and performance. With an output of 5kW and an efficiency rating of up to 77.9%, this stove delivers warmth and comfort to your home. Class A energy rating ensures efficient heating, while the clean and sleek design in a matt black finish adds an elegant touch to any room.



SPECIFICATIONS

Fuel:	<i>Multifuel</i>
Nominal Heat Output & Range	<i>5kW</i>
Energy Class:	<i>A</i>
Efficiency:	<i>77.9%</i>
Flue Size:	<i>127mm</i>

FEATURES

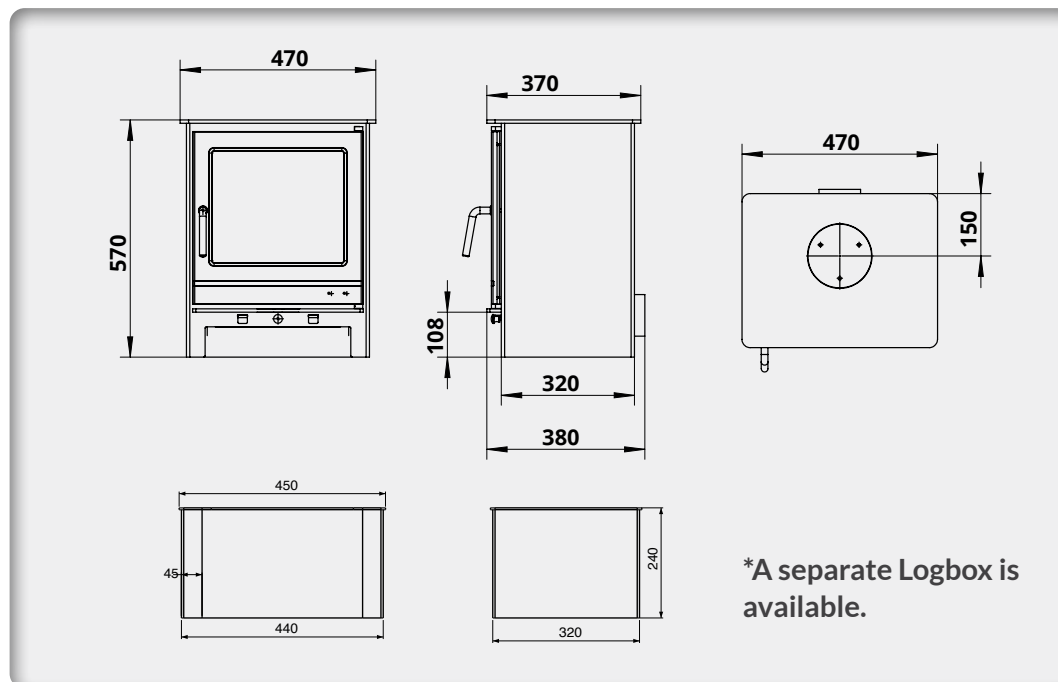
- Large viewing window
- Cast iron door
- Steel body
- Primary air intake
- Secondary air intake
- External air supply
- Advanced air wash
- Suitable for 12mm hearth
- 2022 Ecodesign ready
- Multifuel grate



HAMPSHIRE 7

ROOM HEATER - FREESTANDING

The Hampshire stove is the perfect blend of style and performance. With an output of 6.8kW and an efficiency rating of up to 76.5%, this stove delivers warmth and comfort to your home. Class A energy rating ensures efficient heating, while the clean and sleek design in a matt black finish adds an elegant touch to any room.



SPECIFICATIONS

Fuel:	<i>Multifuel</i>
Nominal Heat Output & Range	<i>6.8kW</i>
Energy Class:	<i>A</i>
Efficiency:	<i>76.5%</i>
Flue Size:	<i>127mm</i>

FEATURES

- Large viewing window
- Cast iron door
- Steel body
- Primary air intake
- Secondary air intake
- External air supply
- Advanced air wash
- Suitable for 12mm hearth
- 2022 Ecodesign ready
- Multifuel grate





Address: Curraheen, Tralee, Co. Kerry, Ireland

Dublin Warehouse: 2 Cloverhill, Industrial Estate, Clondalkin, Dublin 22

Henley Stoves UK: Master Logistics, Ely Rd, Stretham, Ely CB6 3JJ

www.henleystoves.co.uk, sales@henleystoves.com
© 2023 Henley Stoves All Rights Reserved

Local Stockist: