

FRANCO BELGE

FREE STANDING, WOOD, MULTI FUEL & OIL BURNING STOVES.



Issue 3 22 06 22



SAVOY MK2 ELEGANCE

The finest cast iron stoves from Franco Belge

2022 ECO DESIGN APPROVED

Contents

FRANCO BELGE SOLID FUEL STOVES	2
MONTFORT MK2 ELEGANCE 4.6kW	3
MONACO 8.5kW	4
SAVOY MK2 ELEGANCE 6.5kW	5
LIMOUSIN 9.5kW	6
MONTECARLO 12.3kW	7
FRANCO BELGE, OIL FIRED STOVES.....	8
BELFORT OIL 5kW	9
SAVOY OIL 8kW	10
BURGUNDY OIL 10kW.....	11
WARRANTY.....	12

FRANCO BELGE SOLID FUEL STOVES

Franco Belge Cast Iron Stoves have been on sale in the UK for the last 50 years.

Their success has been measured by the vast quantity of stoves sold and still in use over that 50 year period.

The company has achieved a huge level of popularity with both customers and retailers alike.

Form, function, performance, reliability and above all, value for money are the key features in the success story that Franco Belge has become.

From the best-selling Montfort through to the mighty Monte Carlo there is a well proven stove to suit most requirements and most applications.

All the stoves are backed up by an excellent and knowledgeable spares service with components and back up available throughout the UK.

2022 ECO DESIGN APPROVED.



MONTFORT MK2 ELEGANCE 4.6kW

Model number 1340502 Up to 4.6kW output – Multifuel Appliance - Energy rating "A"



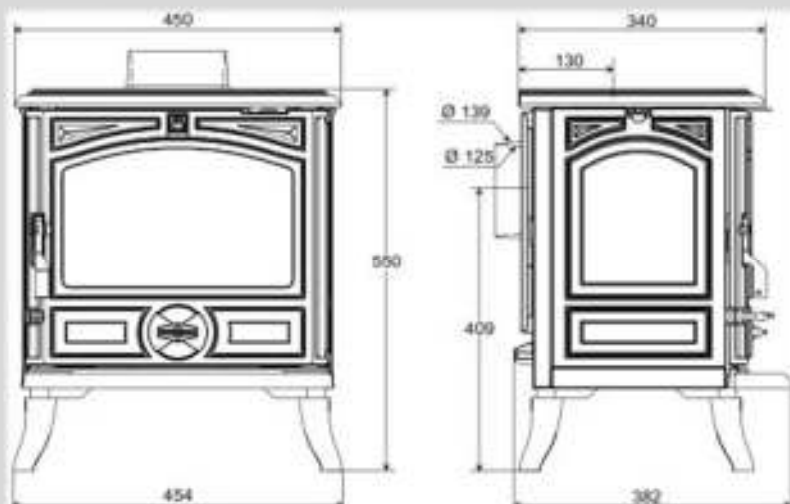
2022 Eco Design Approved – DEFRA Smoke Control Exempt - CE EN13240

Stylish, feature packed, 4.6kW multifuel stove comes with a wealth of outstanding benefits.

- ✓ Top or Rear flue position and outside air kit available (Pt No KPA13405).
- ✓ Panoramic proportions which fits nicely into most rooms and fireplaces.
- ✓ All night burning facility on smokeless fuel and accepts logs up to 200mm (8" long.)
- ✓ Pre heated air wash and tertiary air system producing a wonderful flame picture.
- ✓ Vermiculite, internal firebrick linings and easily removable ash pan.
- ✓ Strong, long lasting and reliable giving years of trouble free running.
- ✓ Manufactured from high quality cast iron in a classic matt black finish.

For DEFRA area fitting, needs optional "smoke control exempt kit" Pt no FBA13408.

Flue Dia 125mm Weight 90kg



MONACO 8.5kW

Model number 1340605 – Multifuel Appliance - Energy rating "A"

Output up to 8.5kW on smokeless fuel and 5.9kW on wood.



2022 Eco Design Approved – DEFRA Smoke Control Exempt - CE EN13240

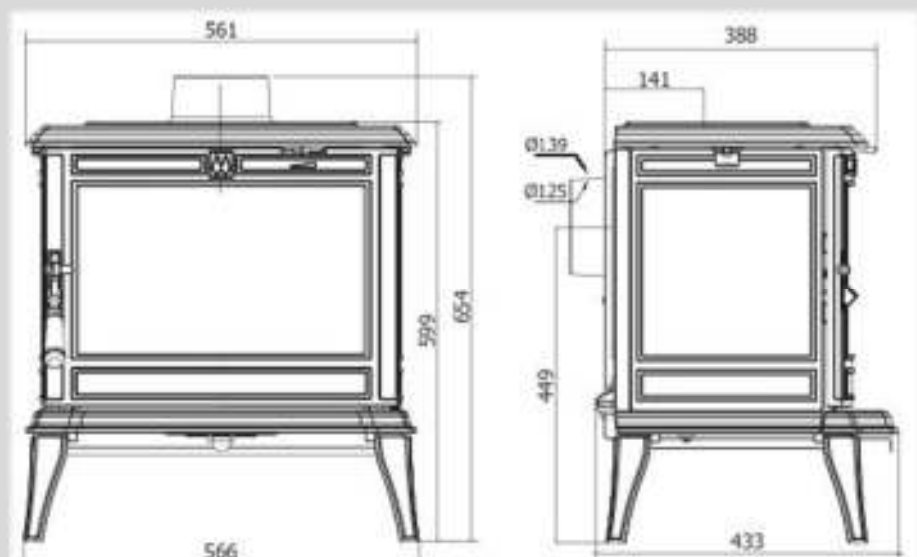
Delightful architectural panoramic proportions.

Sophisticated, elegant and stylish, it comes with a wealth of outstanding benefits.

- ✓ Top or Rear flue position.
- ✓ Pre heated air wash system helps keep clean.
- ✓ Vermiculite, internal firebrick linings and easily removable ash pan.
- ✓ Accepts logs up to 400mm (15") and can also run on smokeless fuel.
- ✓ Manufactured from high quality cast iron in a classic matt black finish, with a large full width, panoramic door.
- ✓ Strong, long lasting and reliable giving years of trouble free running.

Flue Dia 125mm

Weight 90kg



SAVOY MK2 ELEGANCE 6.5kW

Model number 1340809 Up to 8kW output - Multifuel Appliance - Energy rating "A"



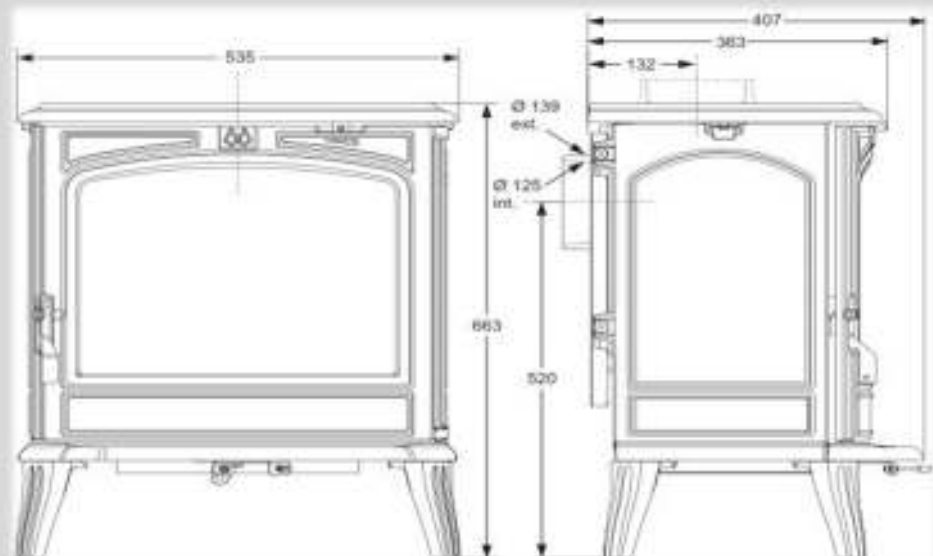
2022 Eco Design Approved – DEFRA Smoke Control Exempt - CE EN13240

The Savoy Elegance has a great presence, it has clean and simple lines with a large panoramic glass door presenting a wonderful view of the fire. The Savoy family of stoves have been on sale in the UK for 20 years plus with an excellent and well established and reliable spares back up availability.

- ✓ Pre heated air wash system helps keep clean glass.
- ✓ Vermiculite, internal firebrick linings and easily removable ash pan.
- ✓ Top or Rear flue position.
- ✓ Accepts logs up to 400mm (15") and can also run on smokeless fuel.
- ✓ Manufactured from high quality cast iron in a classic matt black finish.

Flue Dia 125mm

Weight 135kg



LIMOUSIN 9.5kW

Model number 1341010 - Up to 9.5kW output – Wood Burning Stove - Energy rating "A"



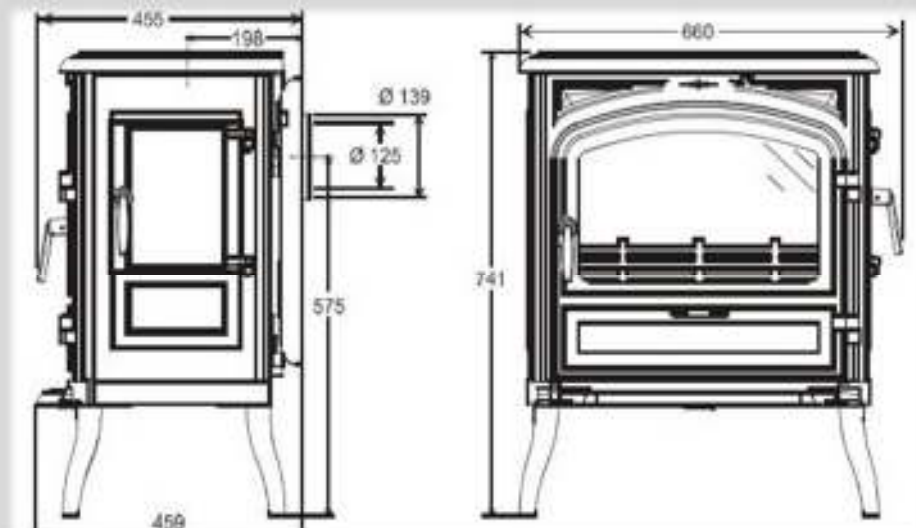
2022 Eco Design Approved CE EN13240

The Limousin has a huge 9.5kW output and is suitable for heating larger spaces. It's a reliable and well sorted, high quality cast iron stove having been on sale in the UK for 20 years plus with an excellent and well established spares back up availability. For applications having suitable space available it also has a useful side loading door.

- ✓ Pre heated air wash system helps keep clean glass.
- ✓ Internal firebrick linings and easily removable ash pan.
- ✓ Top or Rear flue position.
- ✓ Burn logs up to 500mm (19" long.)
- ✓ Easily stays in all night long. (Smokeless Fuel).
- ✓ Manufactured from high quality cast iron in a classic matt black finish.

Flue Dia 125mm

Weight 160kg



MONTE CARLO 12.3kW

Model number 1341207 - Up to 12.3kW output – Wood Burning Stove – Energy rating "A"



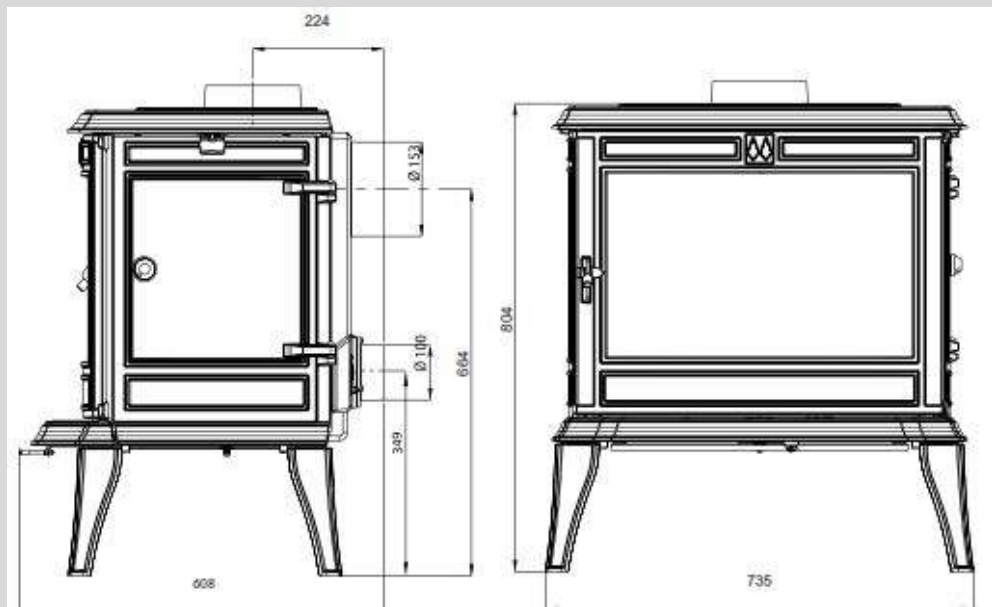
2022 Eco Design Approved CE EN13240

Large elegant stove to heat a large elegant space with a huge 12 kW heating capacity. Reliable and well sorted, high quality cast iron stove either front or side loading.

- ✓ Top or Rear flue position and outside air kit available. (Pt No KPA13415)
- ✓ Pre heated air wash system helps keep clean glass.
- ✓ Internal firebrick lining and easily removable ash pan.
- ✓ Burn logs up to 550mm (21" long.)
- ✓ Manufactured from high quality cast iron in a classic matt black finish.

Flue Dia 150mm

Weight 180kg



FRANCO BELGE, OIL FIRED STOVES.

SILENT SIMPLICITY.

In addition to the solid fuel appliances Franco Belge manufactures a range of three oil fired stoves comprising of the **Belfort**, **Savoy** and **Burgundy** covering outputs from 2 to 10 kW.

Oil Stoves are a hidden secret, they can run at a steady constant output, over a 24 hour period, they can outperform equivalent solid fuel counterparts by a factor of two or three without the dust and ash.

Over a 24 hour period a 5kW oil stove will output more heat than a 10kW solid fuel stove, simply set the control knob at the output you require and the stove will produce a constant steady heat output.

Franco Belge produce a range of wonderful cast iron oil stoves from 5 to 10 kW output. They are silent in operation with no moving burner parts, long lasting and reliable in operation.

They are dust free, clean and convenient with easy controls.

All the models can be supplied with an optional electric ignition kit.

All the models provide beautiful blue flame combustion on high fire and dull red glow with wispy blue flames on low fire and are capable of continuous burning.

To complete the package there is also an optional coal fire effect kit available for each model of stove.

Oil Stove Fuel Types

Franco Belge oil stoves can be supplied to run on a variety of different fuels such as :-

BS2869 GRADE A2 GAS OIL (Red Diesel)

GRADE C2 KEROSENE

BS15940 H.V.O. Refined vegetable oil. (CLASSED AS A RENEWABLE ENERGY SOURCE)

With the burgeoning availability of the new HVO, renewable fuel, oil fired stoves can be run Nett Carbon Zero with dramatically reduced Sulphur Dioxide emissions.

The fuel type must be specified when ordering.

BELFORT OIL 5kW

Model number 1740505 – Output from 2 to 5kW



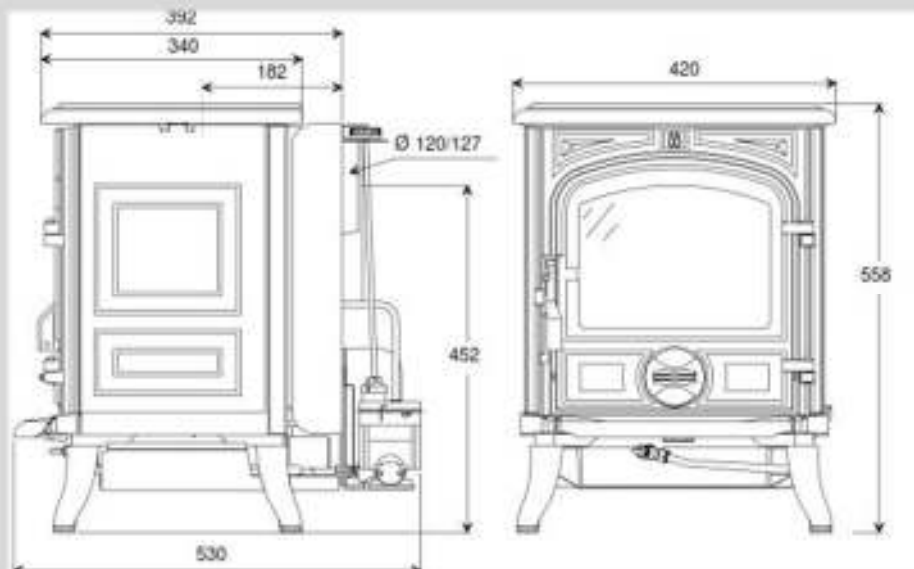
Approved to CE EN 1

The Belfort is the smallest and most popular stove in the oil fired stove range. Compact size and a flexible 2 – 5 kW output makes it perfect for medium sized rooms. It's easy to use and available in a matt black finish with optional extras detailed below.

- ✓ Top or Rear flue position.
- ✓ Optional coal effect kits available.
- ✓ Optional electric ignition kit available.
- ✓ Long lasting.
- ✓ Clean, convenient & reliable.
- ✓ Constant steady heat output.
- ✓ Easy to control.
- ✓ Can be ordered to run on Diesel, Kerosene or HVO.
- ✓ Cast iron construction in matt black finish.

Flue Dia 100mm (4")

Weight 68kg



SAVOY OIL 8kW

Model Number 1740802 – Output from 2 to 8kW



APPROVED TO CE EN1

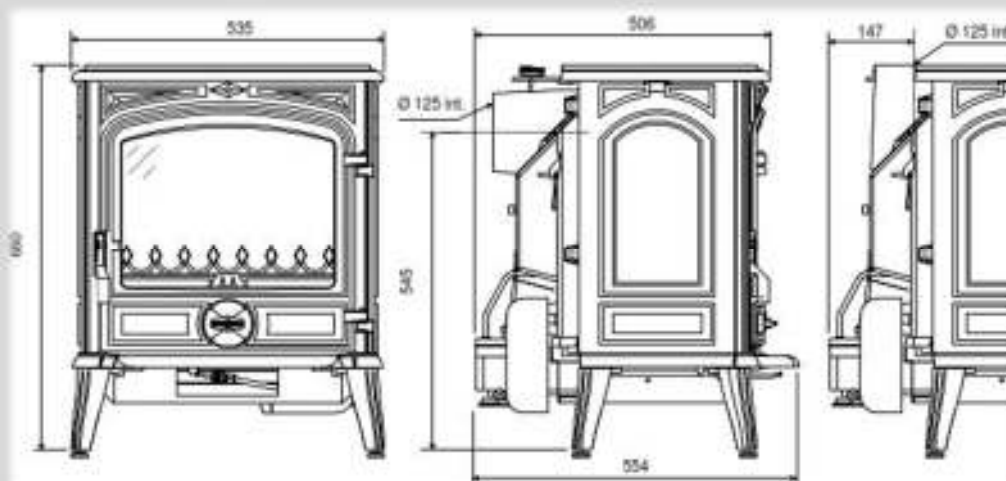
The Oil Fired Savoy is one of the best looking cast iron stoves available.

The illustration shows the appliance without the optional coal kit fitted.

Dimensional proportions are excellent and suit most fireplaces or room settings, a real quality addition to any room furnishing.

- ✓ Rear flue position can be installed to fit either vertically or horizontally.
- ✓ Optional coal effect kit available.
- ✓ Optional electric ignition kit available.
- ✓ Reliable and long lasting.
- ✓ Clean, convenient.
- ✓ Constant steady heat output.
- ✓ Easy controls.
- ✓ Can be ordered to run on Diesel, Kerosene or HVO.
- ✓ Cast iron construction in matt black finish.

Flue dia 125mm Weight 100kg



BURGUNDY OIL 10kW

Model Number 1741059 – Output from 2 to 10kW.



APPROVED TO CE EN1

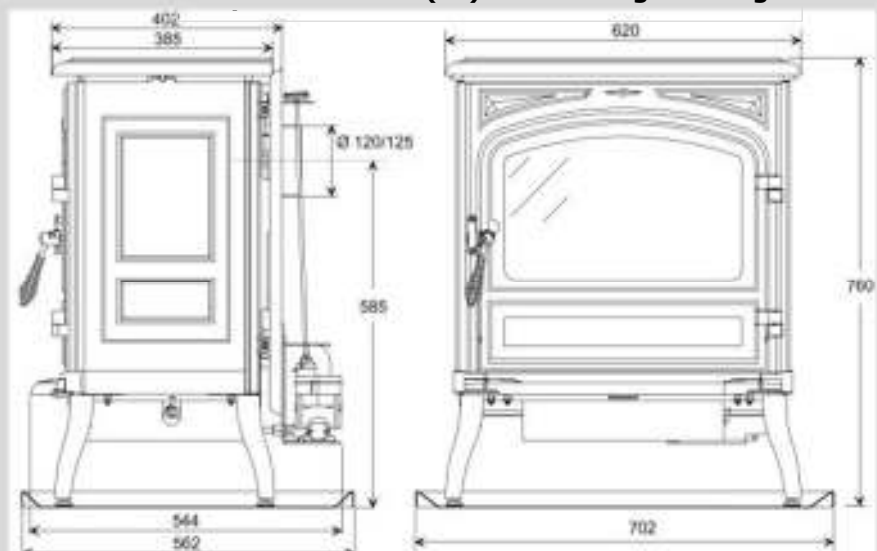
The Burgundy is the largest stove in the oil fired range with a maximum output of 10kW. Controls on the stove allow the output to be adjusted from 2kW up to 10kW providing adequate adjustment for comfortable temperature variation. You can rely on the steady and gentle output to heat your home, 24 hours a day.

- ✓ Optional coal effect kit available.
- ✓ Optional electric ignition kit available.
- ✓ Cast iron Construction in matt black finish.
- ✓ Reliable and long lasting.
- ✓ Clean, convenient.
- ✓ Constant steady heat output.
- ✓ Easy controls.
- ✓ Can be ordered to run on Diesel, Kerosene or HVO.
- ✓ Horizontal or vertical flue position.

Note that the picture shows the stove with glass strips which have now been upgraded to a one piece panel.

Flue Dia 125mm (5")

Weight 118kg



WARRANTY

Solid Fuel Appliances

Franco Belge solid fuel products are subject to a five year warranty on cast iron stove body parts. The warranty covers the external stove body castings only and does not include items classed as consumables such as fire grates, firebricks, vermiculite or fire brick liners, baffle plates, retaining bars / front frets, door ropes and door glass.

Only fuel specified in the instructions supplied with the appliance can be used on it, damage caused by the use of incorrect fuel is not covered.

Damage caused by over firing of the appliance is not covered, a typical example of this is blistered or burned off paint finishes.

If the appliance is installed by a non-qualified heating engineer then the appliance will be the subject of a 12 month only warranty with the same conditions as mentioned earlier.

The appliance should be installed by a suitable qualified and competent heating engineer.

Note that suitably qualified heating engineer means OFTEC, HETAS or CLEARSKIES registered with the appropriate qualification for the type of installation in question.

Oil Fired Appliances

Franco Belge oil fired products are subject to 2 year warranty covering any defect, flaw or imperfection.

During this time, all parts judged defective by the warranty control department may be replaced in our workshops.

Incidental costs of transportation and packing will be payable by the purchaser.

External stove body castings have a longer warranty period of five years.

Oil Stove Warranty terms

The warranty is only valid if:-

The correct fuel has been used.

The fuel is clean and not contaminated with water or other debris.

A suitable fuel filter, fuel isolation device and a KBB remote sensing fire valve has been correctly fitted.

The appliance has been installed and checked by a suitably qualified professional installer.

All installation and adjustment instruction listed in the technical manual supplied with the appliance have been correctly followed.

All operation and maintenance instructions have been correctly followed.

Note that suitably qualified heating engineer means OFTEC registered with the appropriate qualification for vaporising pot appliances.

Retail Info