



F2 FIRES



Wood

Manufactured in both cast iron and steel, our range of wood fireplaces combines traditional design and modern technology for a beautiful and efficient solution.



F2 FIRES

By **PAUL AGNEW** | **DESIGNS**®

Features

- **Versatile contemporary style**
- **Vermiculite lined**
- **Integrated handle**
- **British design**
- **Manufactured to British quality assurance**
- **Defra approved**
- **Certified and tested to UK & European Standards (BS EN 13240)**
- **Suitable for 12mm hearths**
- **Stunning flame picture**
- **Schott Robax® glass fronted door**

Designed and built to the following standards and certifications:



Vue Landscape 5kW Multi-Fuel

About the stove

The Vue Landscape is a beautifully crafted traditional cast stove. With a 5kW heat output it is a highly versatile stove.

Crafted using the finest materials, we believe this stove is the perfect finish to modern living, whilst giving a nod towards the traditions of the past.

Good to know


- Clean contemporary style
- Vermiculite lined
- Integrated handle
- British design
- Manufactured to British quality assurance
- Defra approved
- Certified and tested to European Standards (BS EN 13240)
- Suitable for 12mm hearths
- Stunning flame picture
- Schott Robax® glass fronted door
- Exclusively by Paul Agnew Designs


Operating Parameters

Nominal heat output 5kW


Ideal operating temperature range 150 - 300°C

Efficiency 80.3% Wood
77.1% Anthracite

 Multi-fuel (Wood and Anthracite)

 Airwash System Built-In

 5" Flue Diameter Outlet

 Top & Rear Outlet



Designed and built to the following standards and certifications:





Vue Landscape Logstore 5kW Multi-Fuel

About the stove

The Vue Landscape Logstore is brand new for 2021. It's traditional cast iron manufacture and 5kW heat output, making it suitable for any home.

Crafted using the finest materials, we believe this stove is the perfect finish to modern living, whilst giving a nod towards the traditions of the past.

Good to know

- Clean contemporary style
- Vermiculite lined
- Integrated handle
- British design
- Manufactured to British quality assurance
- Defra approved
- Certified and tested to European Standards (BS EN 13240)
- Suitable for 12mm hearths
- Stunning flame picture
- Schott Robax® glass fronted door
- Exclusively by Paul Agnew Designs


Operating Parameters

Nominal heat output 5kW

Ideal operating temperature range 150 - 300°C


Efficiency 80.3% Wood
77.1% Anthracite



 Multi-fuel (Wood and Anthracite)

 Airwash System Built-In

 5" Flue Diameter Outlet

 Top & Rear Outlet



Designed and built to the following standards and certifications:





Vue Portrait 5kW Multi-Fuel

About the stove

The Vue Portrait is a beautiful, traditionally styled cast stove.

The Vue portrait is Crafted using the finest materials, The sculptured door gives an excellent view of the fire burning inside. Creating a warm and relaxed atmosphere to enjoy during the long winter months.

Good to know

- Clean contemporary style
- Vermiculite lined
- Integrated handle
- British design
- Manufactured to British quality assurance
- Defra approved
- Certified and tested to European Standards (BS EN 13240)
- Suitable for 12mm hearths
- Stunning flame picture
- Schott Robax® glass fronted door
- Exclusively by Paul Agnew Designs


Operating Parameters

Nominal heat output 5kW

Ideal operating temperature range 150 - 300°C

Efficiency 80.0% Wood
76.2% Anthracite



 Multi-fuel (Wood and Anthracite)

 Airwash System Built-In

 5" Flue Diameter Outlet

 Top & Rear Outlet



Designed and built to the following standards and certifications:





Accona

5kW Multi-Fuel

Slider

About the stove

The traditionally styled Accona is designed to fit neatly into a standard builders opening. The Accona introduces classic form with a modern contemporary feel.

A clean styled, flexible model that works with both modern and traditional settings.

Good to know


- Versatile contemporary style
- Vermiculite lined
- Integrated handle
- British design
- Manufactured to British quality assurance
- Defra approved
- Certified and tested to European Standards (BS EN 13240)
- Suitable for 12mm hearths
- Stunning flame picture
- Schott Robax® glass fronted door
- Exclusively by Paul Agnew Designs

Operating Parameters

Nominal heat output 5kW

Ideal operating temperature range 150 - 300°C

Efficiency 80.0% Wood
76.2% Anthracite

 Multi-fuel (Wood and Anthracite)

 Airwash System Built-In

 5" Flue Diameter Outlet

 Top & Rear Outlet



Designed and built to the following standards and certifications:





Vue Accona 5kW Multi-Fuel

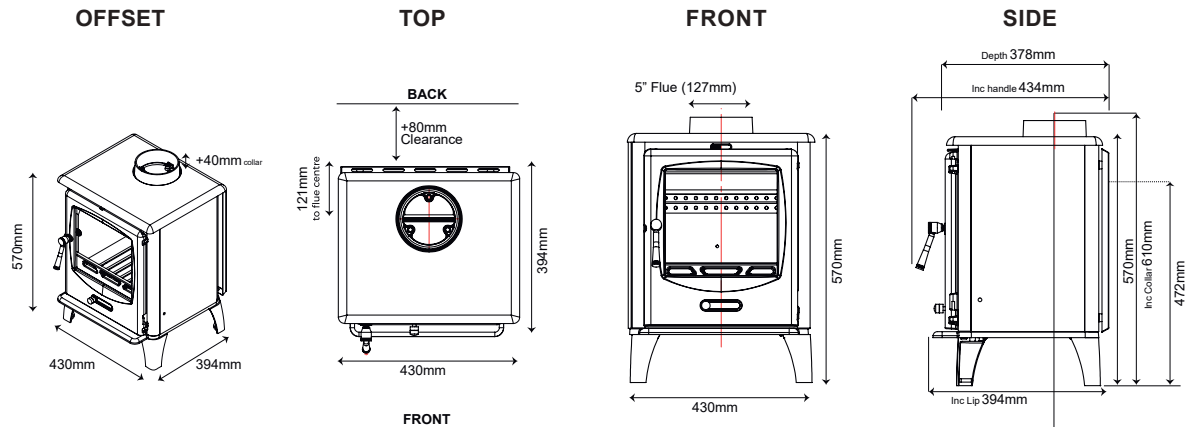
Slider Model

Operating Parameters

Nominal heat output	5kW
Ideal operating temperature range	150 - 300°C
Efficiency	80.3% Wood 76.2% Anthracite

Dimensions

Width	430mm
Height	570mm
Depth	394mm
Weight	Appliance 84kg Packaging 6kg Combined 90kg



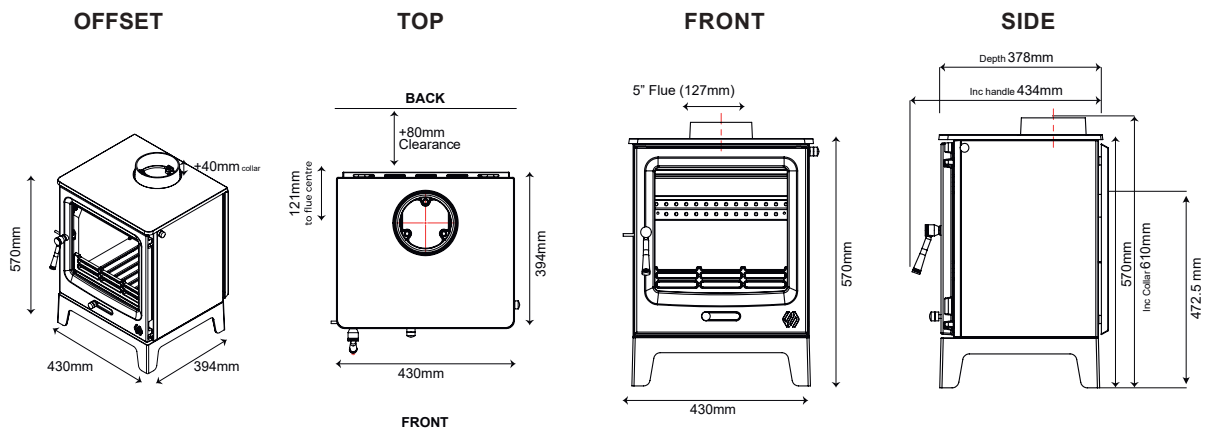
Vue Portrait 5kW Multi-Fuel

Operating Parameters

Nominal heat output	5kW
Ideal operating temperature range	150 - 300°C
Efficiency	80.0% Wood 76.2% Anthracite

Dimensions

Width	430mm
Height	570mm
Depth	394mm
Weight	Appliance 85kg Packaging 7kg Combined 92kg



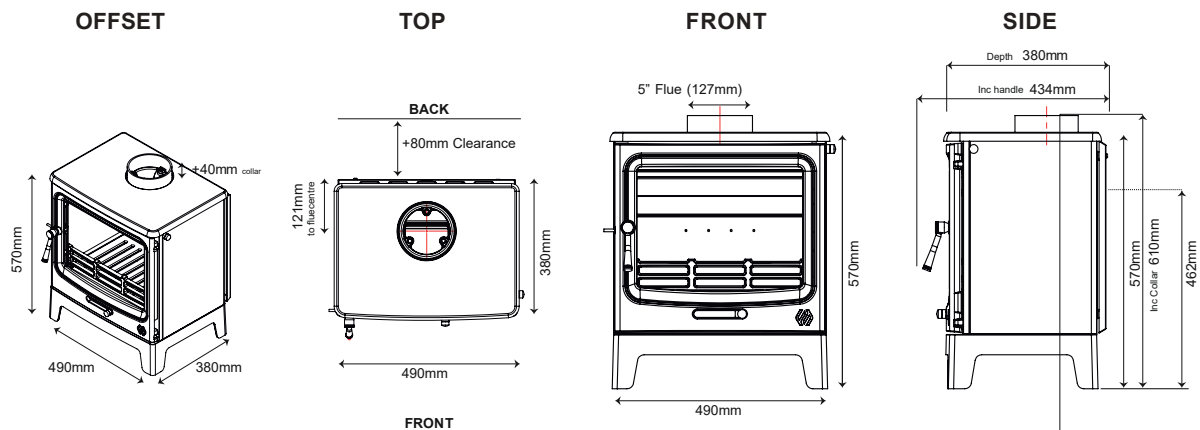
Vue Landscape 5kW Multi-Fuel

Operating Parameters

Nominal heat output	5kW
Ideal operating temperature range	150 - 300°C
Efficiency	80.3% Wood 77.1% Anthracite

Dimensions

Width	490mm
Height	570mm
Depth	380mm
Weight	Appliance 95kg Packaging 8kg Combined 103kg



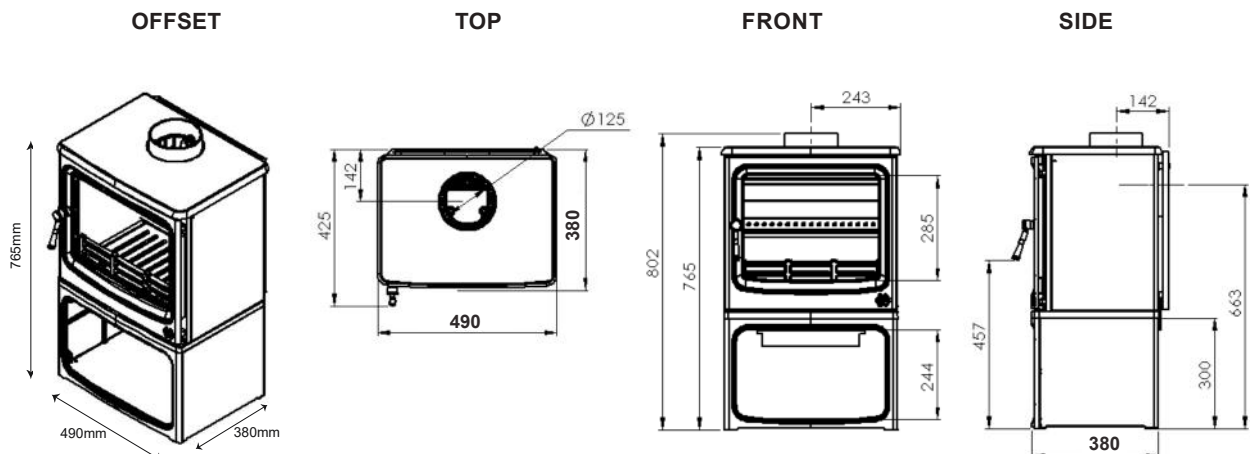
Vue Landscape Logstore 5kW Multi-Fuel

Operating Parameters

Nominal heat output	5kW
Ideal operating temperature range	150 - 300°C
Efficiency	80.3% Wood 77.1% Anthracite

Dimensions

Width	490mm
Height	765mm
Depth	380mm
Weight	Appliance 105kg Packaging 10kg Combined 115kg



Specifications

Model	Distances to combustibles (mm)	Distance from rear to centre of top outlet (mm)	Height to centre of rear outlet (mm)	Eco-design	Dimensions H x W x D (mm)	Weight	Nominal Output kW	Efficiency W= Wood C = Smokeless Fuels	CO @ 13% O2 wood/ coal	Energy Rating	Particulates mg/mo ³ @13%	Nox Mg/mo3	CxHy Mg/mo3
Accona	Rear: 150 Sides: 450	121	472.5	Yes	570 x 430 x 394	84kg	W 4.8	W: 80.0% C: 76.2%	W: 0.07 C: 0.11	A+	W 18 C 10	W 127 C 154	W 44 C 13
Vue Portrait	Rear: 200 Sides: 600	121	472.5	Yes	570 x 430 x 394	85kg	W 4.8	W 80.0% C 76.2%	W: 0.07 C: 0.11	A+	W 18 C 10	W 127 C 154	W 44 C 13
Vue Landscape	Rear: 150 Sides: 450	141	462	Yes	570 x 490 x 380	95kg	W 5.0	W 80.3% C 77.1%	W: 0.08 C: 0.08	A+	W 26 C 13	W 85 C 150	W 32 C 12
Vue Landscape Logstore	Rear: 150 Sides: 450	141	656.5	Yes	765 x 490 x 380	105kg	W 5.0	W 80.3% C 77.1%	W: 0.08 C: 0.08	A+	W 26 C 13	W 85 C 150	W 32 C 12

Flue Collar outlet Diameter all models 125mm

5 Year Extended Warranty

If you have purchased your stove from a F2 registered retailer, then your stove will carry a 2 year warranty as standard. The 2 year warranty can be further extended to a total warranty period of 5 years by registering your F2 Stove within one month of the later of the purchase date or installation date. Accordingly, the start date for the warranty period is the date of purchase. During the registration process, the Registered Retailer details will be required for your Extended Warranty to be activated. Any product purchased outside of our registered Retailer Network will carry a standard 12 month, non-extendable warranty. It is a condition of the Extended Warranty that the installation complies with the relevant Building Regulations and is carried out by a suitably trained and qualified individual (HETAS in the UK(solidfuel) Gas Safe (gas) or equivalent in other countries) with the certificate of installation and proof of purchase supplied. Full terms and conditions are detailed in the Warranty Statement on the Eurostove website www.eurostove.co.uk. In the event of any conflict of information the wording on the website shall prevail.

Important Note: Should any problems be experienced with your product, claims must first be submitted to the Retailer where the appliance was purchased from who will offer immediate assistance or contact Eurostove on your behalf. Please note that this warranty is not transferable and is extended only to, and is solely for, the benefit of the original purchaser of the stove and will therefore only apply when the dated sales receipt as proof of purchase is produced to F2

Stoves Electrical and Gas parts with in the appliance are warranted for 1 year.





Exclusive UK distributor

Eurostove Ltd,
Unit H1, Mendip Industrial Estate, Mendip Road
Rooksbridge, Somerset, BS26 2UG
Tel: 01934 750500

www.eurostove.co.uk

Aug 2022 issue 4