



DunsleyHeat

WOODBURNING & MULTIFUEL STOVES



Welcome

Dunsley Heat are one of the UK's longest established and finest manufacturers of multi-fuel heating equipment, the firm was established in 1950 high on the Yorkshire moors of Holmfirth. The company still run by the Broadbent family is proud of it's history and is a 100% British company dedicated to producing top quality goods. We include a 10 year guarantee on our stoves (exclusions apply see installation instructions).

We trust you will enjoy looking through our brochure and hope you decide on one of the stoves from our Avance and Highlander ranges.

Designed and manufactured in Holmfirth, Yorkshire

Since Dunsley Heat developed it's first fires over 70 years ago we have been at the forefront of innovative design. With stunning quality and superior efficiency, we have created a range of stoves that give you a touch of elegance to suit any room.

Quality and stunning performance

Design is at the heart of the development process at Dunsley, but design alone is not enough. The product needs the quality to match; which is why every stove leaving our factory is quality checked at each stage of production. All Dunsley stoves are constructed from the highest quality materials.

All our stoves are tested and approved independently by KIWA laboratories.



Dunsley Heat are members of a wide range of accreditations and trade body memberships to ensure that we are consistently offering the best possible products and services to our customers. We keep abreast of impending legislation, standards, product performance and environmental requirements. We subscribe and contribute to the following accreditations:



The UKCA (UK conformity Assessed) mark is the new UK product mark that replaces the CE mark for products being placed on the market in Great Britain. It covers most products that previously required the CE mark. All our fires comply with this new mark.



SIA Ecodesign Ready marking is an independent scheme run by the Stove Industry Alliance to verify and independently demonstrate that wood burning stoves already meet the strict requirements Of the 2022 EU Ecodesign Directive for performance and emissions.



HETAS Ecodesign compliant marking. HETAS is the independent UK body recognised by government. It ensures the safe installation, operation & maintenance of wood burning and multi-fuel stoves. As part of this process it produces an annual list of products which they have approved.



DEFRA exemption is the mechanism where the independent reports are checked by DEFRA to comply with the clean air act and therefor allowed to be used in smoke control zones throughout the UK.

Renewable fuels for your stove

Burning renewable fuels in your woodburning stove is an environmentally sound and efficient way of heating your home. Throughout its life a tree will consume more carbon dioxide than it emits when burning.

However it is important to only burn properly seasoned wood from a sustainably managed and certified source.

As wood contains a lot of moisture when freshly cut it should be well seasoned, ideally for two years. Burning without seasoning for this length of time can damage stoves and their components. The best method of seasoning is to cut to the desired length, split into logs and leave outside in a covered area in order for air to circulate and dry the logs ready for burning.



“We all have a responsibility to protect the environment for future generations.

For them to enjoy the world around us as we have.

Choosing a stove designed and built by Dunsley is one step towards a more sustainable future”



SIA, the Stove Industry Alliance is the UK trade body for the solid fuel stove industry, who also communicate with Government departments and such like, keeping up to date on a wide range of issues affecting the industry.



ClearSkies is a certification mark for Emissions and Energy Performance of domestic wood & solid fuel stoves. ClearSkies ratings, namely the certification levels, will show appliances that meet defined emissions and efficiency thresholds that exceed the minimum requirements set by the ecodesign regulation.



ISO 9001 is the internationally recognised standard for Quality Management Systems. Which involves product design and development, production, sale and support functions. Annual independent audits and certification ensure continued compliance in producing consistent quality products.



Exclusions apply, please get in touch for more information or see installation instructions.

Choosing the right stove for you

One of the key factors when choosing a stove is the correct heat output for the room, you can find a heat calculator on our website just enter the size of the room and it will give you a kW heat output for that room.

All our stoves come finished in a high temperature metallic black paint as standard, with an option of five other colours (see page 14).

There is a choice of coloured handles, satin black, satin stainless steel, satin gold or a wood handle which is offset (see page 11) you may need a further 25mm in addition to the standard 75mm at the side of the stove to be able to turn the door handle if the stove is in a deep recess opening.

All our stoves are Energy Efficiency Rated at either A or A+.



All our stoves are tested and approved independently and meet all the requirements of BS EN 13240:2001 and Scotland building regulation 1999 part F. Our Quality Assurance System is compliant with the standard ISO 9001-2015. The system is assessed and approved by BSI (British Standards Institute) and it is audited by BSI at the intervals laid down in the standard.

The photo above is digitally manipulated and for illustrative purposes only. When children, the infirm or elderly are present a fireguard should be placed around the stove at all times.



Nothing heats the home and warms the heart quite like the flickering flames of a Dunsley woodburning stove.



AVANCE

WOODBURNING STOVE 400



AVANCE

WOODBURNING STOVE

clearSkies
clearskiesmark.org

5

clearSkies
clearskiesmark.org

5



Avance 400



Avance 500

Short leg version

- Our new stoves the Avance 400 and 500 have passed and exceeded all the new standards for Eco design 2022 regulations.
- The Avance has high level controllability with a fast response for high and low burn.
- Finished in a black metallic high temperature paint as standard with six other optional colours available.
- The stoves have top and rear flue exits to fit a 5" (125mm) diameter flue pipe.
- If you require the rear flue exit for your installation please ask your stove dealer to order the rear flue conversion kit foc at point of order.
- A solid fuel kit is available for both stoves for burning smokeless fuels as an extra item and can be fitted at any time.
- Long and short leg option is only available for the 500 model.
- The heat output can vary between 3.5 and 7kW depending on weight and type of wood being used.
- Outside air kit available for both stoves as an extra item.
- Hearth setting both suitable for 12mm superimposed non-combustible single sheet hearth
- **Energy efficiency rating of A+ on both stoves**

Declaration of Performance		500 / Wood	400 / Wood
Test duration	h	0.81	0.83
Total efficiency	%	81.2	82.4
Nominal heat output	kW	5.0	5.0
Mean CO emission (at 13% O2)	%	0.10	0.08
Mean flue gas temperature	°C	247	245
Flue gas mass flow	g/s	4.3	4.1
Mean OGC (at 13% O2)	Nmg/m	72	100
Mean NOx (at 13% O2)	Nmg/m	84	92
DIN Plus dust (at 13% O2)	Nmg/m	25	16
Combustibles - side	mm	450	600
Combustibles - rear	mm	350	500
Non combustibles - rear	mm	50	50
Non combustibles - side	mm	50	50
Maximum length of logs	mm	450	250



Highlander 5 Enviroburn SG
High leg version



Highlander 3 Enviroburn SG

The size of this stove makes it ideal for smaller rooms as it is only 34cm wide. It takes logs up to 20cm with ease. The grate system can be adjusted for wood or smokeless fuels. The heat output can vary between 2.5kW and 4.5kW depending on weight and the type of fuel used.

Energy efficiency class A+

HEAT OUTPUTS

Burning wood logs	3.9kW
Smokeless fuel	3.9kW

BURNING EFFICIENCIES

Burning wood logs	82.7%
Smokeless fuel	77.9%

HEARTH SETTING

Suitable for a 12mm superimposed non-combustible single sheet hearth



Short leg version



Highlander 5 Enviroburn

The traditional styling of this stove has meant that this has been one of our best selling over the past 20 years. There are two other styles of doors to choose from which are the Solo and SG. The stoves can take logs up to 25cm long.

The grate mechanism can be adjusted for burning wood or other solid fuels. The Heat output can vary from 3.5kW to 6.5kW depending on weight and type of fuel used.

Energy efficiency class A

HEAT OUTPUTS

Burning wood logs	5.0kW
Smokeless fuel	5.0kW

BURNING EFFICIENCIES

Burning wood logs	77.5%
Smokeless fuel	79.2%

HEARTH SETTING

Suitable for a 12mm superimposed non-combustible single sheet hearth can be used for this stove with high legs only, not suitable for short legs.



Highlander 8 Solo Enviroburn

The Highlander 8 has a wide door opening and large fire bed capacity, this enables you to load the fire box with larger sized logs of up to 46cm in length. An SG door style is also available. The grate mechanism can be adjusted for burning wood or other solid fuels. The heat output can vary between 5.5kW and 9.5kW depending on weight and type of fuel used.

Energy efficiency class A

HEAT OUTPUTS

Burning wood logs	7.8kW
Smokeless fuel	7.5kW

BURNING EFFICIENCIES

Burning wood logs	77.8%
Smokeless fuel	74.9%

HEARTH SETTING

Suitable for a 12mm superimposed non-combustible single sheet hearth

Highlander 8 Enviroburn SG

In Mojave Red





Highlander SOLO RANGE

Detailing on the Highlander SOLO door models.
Black handles are fitted as standard
with satin gold, satin steel or wood
available by request.

With its curved corner window and
wave style fuel retainer bar the Dunsley
Highlander SOLO single door may
compliment and feel more in keeping
with the decor in your room rather than
the squarer window of the SG range.



Highlander 5 Enviro-burn SOLO
With Charcoal paint finish



Highlander 8 Enviro-burn SOLO
with Light Charcoal paint finish

Highlander SG RANGE

So you can enjoy the flickering flame
pattern of the Dunsley Highlander
stoves even more, we have developed
the SG range to provide a larger,
squarer viewing window.



Detailing on the Highlander SG door models.
Black handles are fitted as standard with satin
gold, satin steel or wood available by request.



Highlander 3 Enviro-burn SG
With Forest green paint finish



Highlander 5 Enviro-burn SG
With Honey Glo Brown paint finish



Highlander 8 Enviro-burn SG
With Mojave Red paint finish



AVANCE
WOODBURNING STOVE **400** Logstore
fitted with offset wooden handle



Avance Log Stores



Avance 500 high leg with bolt on Log Store



Avance 400 with bolt on Log Store

The **Avance 400 and 500** can both be supplied with a bolt on log store, which is available as an extra item. The store is large enough to hold a good supply of logs for a long period of burning. It can be fitted to either the short leg or tall leg stove. Levelling bolts are fitted to the log store at each corner to assist on uneven floors.

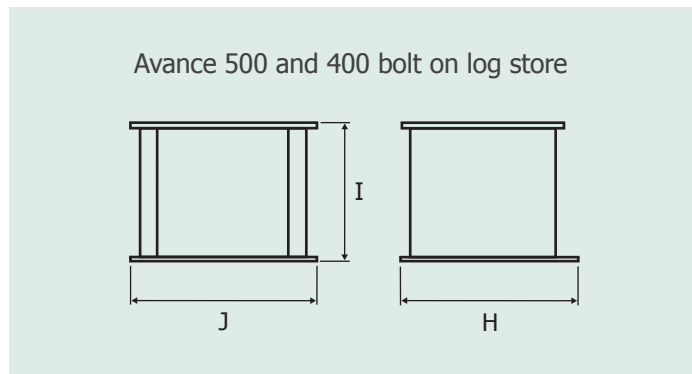
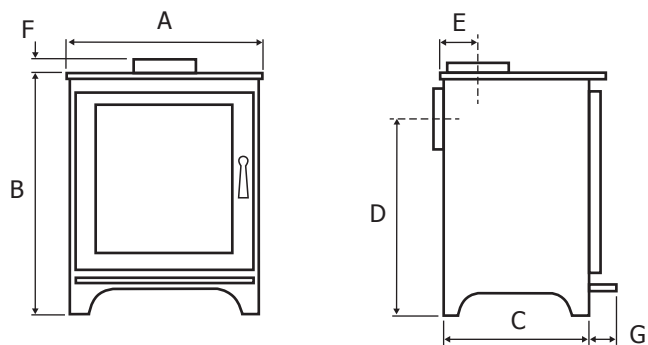


fitted with offset wooden handle



AVANCE
WOODBURNING STOVE **500**
fitted with offset wooden handle

Dimensions and flue sizes



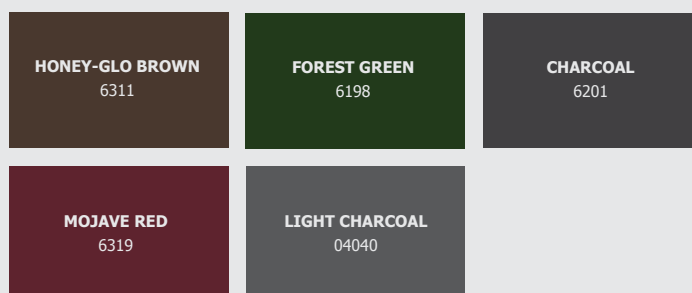
All measurements are in millimetres

All of our stoves have a 125mm diameter flue outlet apart from Highlander 8 which is 152mm diameter outlet

Model	A	B	C	D	E	F	G	H	I	J
Avance 500 Short leg	605	560	275	430	115	25	60	-	-	-
Avance 500 High leg	605	630	275	500	115	25	60	-	-	-
Avance 500 Log store	-	-	-	-	-	-	-	355	325	605
Avance 400	435	590	310	470	115	25	60	-	-	-
Avance 400 Log store	-	-	-	-	-	-	-	390	325	435
Highlander 3 SG	340	560	315	445	105	40	70	-	-	-
Highlander 5 short leg (SL)	425	560	315	445	105	40	70	-	-	-
Highlander 5 High leg (HL)	425	630	315	515	105	40	70	-	-	-
Highlander 8	605	630	315	515	118	45	70	-	-	-

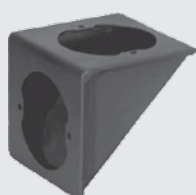
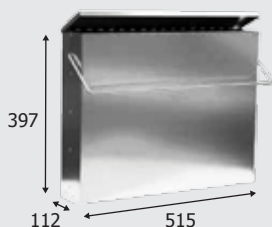
Colour paint finish

As well as our outstanding Black paint finish standard on all our stoves we can now offer a number of different colours available as an optional extra. Remember each stove is different and the actual paint colour may vary from our brochure, please ask your dealer to see the Stovebright colour chart.



Highlander accessories

The Ash container suitable for most room heaters, stoves and open fires.
Part No: 01414



Rear flue Adapter
Available in 5" and 6" sizes.
Part No: 02298

Sliding wood handle sleeve for use when opening and closing the door. Part No: 02299



Outside Air Kit Avance 400 & 500 only 3" / 76mm diameter tube. Part No: 02497



DunsleyHeat



www.dunsleyheat.co.uk

email: sales@dunsleyheat.co.uk

tel: 01484 682635

All products are manufactured by Dunsley Heat Ltd at Bridge Mills, Holmfirth, Yorkshire, England HD9 3TW