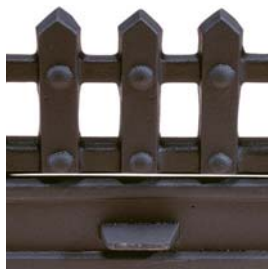




firemaster



Solid Fuel
Fires, Stoves & Accessories

Established 1930





Firemaster®

The Firemaster range of Solid Fuel Fires and Accessories was established in 1930 and now celebrates 80 years supplying the UK & Ireland fireplace and heating industry.

A rapid decline in the coal industry towards the end of the last century and greater environmental awareness in recent years has signalled a move over to cleaner fuels such as natural gas and electric.

But real fires have kept pace with these environmental concerns by producing countless smokeless varieties and wood is now seen as a positive carbon neutral option.

These facts and the gradual depletion of natural gas reserves leading to ever increasing prices to the consumer have led to a remarkable revival in the use of solid fuel fires in recent years. This sudden increase in demand has resulted in more investment and innovation producing ever more efficient stoves and cast-iron fireplaces, some of which can be found in your Firemaster brochure today.

Firemaster products in this brochure are made from original designs in the time-honoured tradition by experienced craftsmen.

The dominance of Firemaster solid fuel fires over so many years has seen the arrival of many copies of replacement cast iron parts into the market some of which may be of inferior quality, lighter in weight with the need to be replaced more often.

We aim to be around for our 100th anniversary so please ensure that your retailer supplies you with a genuine Firemaster product and not a cheap alternative.

The **Victorian Firefront** with optional grate, ashpan & fireback suits a standard 16" cast-iron fireplace opening.



Contents

Stoves	3 - 5
Cast-iron Inserts	6 - 9
Traditional Fire Baskets	10 - 13
Contemporary Baskets	14 - 15
Buckets	16
Fire Screens	17
Companion Sets & Accessories	18
All Night Burners & Flue Pipe	19
Frets	20
Grates & Ashpans	21
Chimney Systems	22 - 23
Ashpan & Grate Selector	24

Adam Panel
Antique Finish



W: 415mm H: 915mm

Adam Panel
Highlight Polish



W: 415mm H: 915mm

Reeded Panel
Matt Black



W: 415mm H: 915mm

Reeded Panel
Vermiculite Beige or Black



*W: 610mm H: 1000mm D: 20mm

*Can be cut to size with woodworking tools

Firemaster 5

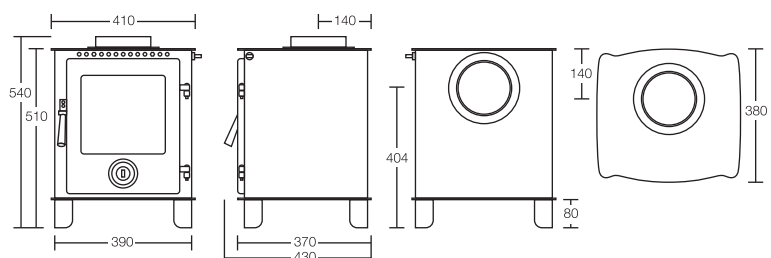


Key Facts:

Multi-fuel:	Wood & Smokeless Fuels
Construction:	Steel & Cast Iron
Flue Outlet:	Top or Rear
Flue Pipe Diameter:	5" (125mm)
Airwash:	Yes
Continuous Burning:	Yes for smokeless fuels
Output:	Up to 5kW
Efficiency:	Up to 70%
Additional Ventilation:	No
Optional Pedestal	Yes (see page 4)
Air Regulator:	Yes (close for wood, open for smokeless fuels)

The Firemaster 5 is a small elegant stove suitable to fit into a traditional builders opening. Manufactured in the UK, this stove offers a high efficiency and an impressive output of up to 5kW, enough to heat up the average size living room.

Designed for the use of wood burning or smokeless fuel this stove also has an Airwash system which helps to keep the window clean allowing you to enjoy the flame pattern in full.



Firemaster 5 Pedestal



Manufactured in the UK

Key Facts:

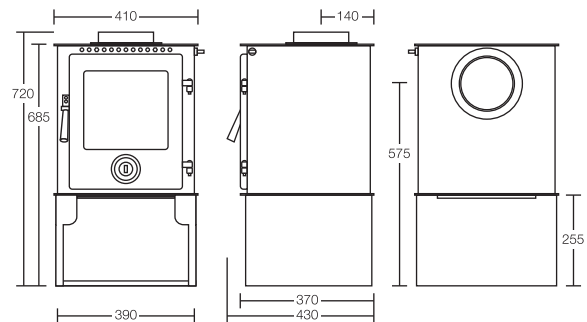
See page 3

The Firemaster 5 is shown here with an optional Pedestal Unit providing additional height to compliment the size of the fireplace opening and allowing for the dry storage of logs. The stove legs simply slot into the top of the Unit. An operating tool is supplied to operate the Airwash System (top right) and Air Regulator (on door).

The shelf with corbels shown above the opening is the Keswick available in solid oak or pine and 54" or 48" length.

Pedestal Unit

Stove legs simply slot into pedestal unit.



Mantel: Keswick in Solid Oak

Shelf length 1440mm, Shelf Depth 100mm, Shelf Width 200mm
Corbel Height 280mm, Corbel Width 150mm Top, 102mm Centre

Firemaster 7



Manufactured in the UK

Key Facts:

Multi-fuel: **Wood & Smokeless Fuels**

Construction: **Steel & Cast Iron**

Flue Outlet: **Top or Rear**

Flue Pipe Diameter: **5" (125mm)**

Airwash: **Yes**

Continuous Burning: **Yes for smokeless fuels**

Output: **Up to 7kW**

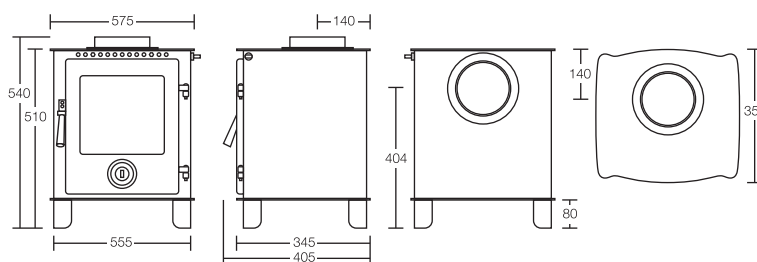
Efficiency: **Up to 70%**

Additional Ventilation: **Yes**

Air Regulator: **Yes (close for wood, open for smokeless fuels)**

The Firemaster 7 is the bigger sibling of the Firemaster 5 and along with its greater size it produces an output of up to 7kW to suit those requiring additional heat whilst maintaining the same high efficiency.

The stove looks elegant surrounded by vermiculite reeded panels (natural colour) inside the Limerick cast-iron mantel.



Mantel: Limerick in Cast-iron, Shelf 1530mm, Height 1200mm, Base 1400mm, Internal Opening 915mm x 915mm, Rebate 76mm

Hearth: Tiled (Ciara Slate) 1460mm x 438mm x 65mm

Back Panel: *Vermiculite Reeded Panels (natural colour) 4 x 610mm x 1000mm x 20mm

*Can be cut to size with woodworking tools

Integra Majestic SF



Key Facts:

Multi-fuel:	Wood & Smokeless Fuels
Construction:	Steel & Cast Iron
Flue Outlet:	Top
Flue Pipe Diameter:	5" (125mm)
Airwash:	Yes
Continuous Burning:	Yes for smokeless fuels
Output:	Up to 5kW
Efficiency:	Up to 78%
Additional Ventilation:	No
Air Regulator:	Yes (close for wood, open for smokeless fuels)

The Integra Majestic SF combines a traditional arched cast-iron insert with a highly efficient glass fronted inset stove suitable for wood burning and smokeless fuels.

An Airwash system helps to keep the window clean allowing you to enjoy the flame pattern in full. The door simply clips open and closed with an operating tool.

A wider choice of Integra fireplaces, mantel options and all specifications can be found in the dedicated Integra Collection brochure available from your Retailer.

Mantel: Edwardian Corbel in Limestone

Shelf 1455mm, Height 1140mm,

Base Variable, Internal Opening 915mm x 915mm, Rebate 76mm

Cast: Integra Majestic SF Polished (also available Black, Half Polish and Full Polish)

Hearth: Black Granite 1448mm x 457mm (57" x 18")

Integra Oxford SF



Manufactured in the UK

Key Facts:

See page 6 opposite



Integra SF Inset

The Oxford Integra SF combines a traditional tiled insert with a highly efficient glass fronted inset stove. Suitable for wood burning and smokeless fuels the Integra SF range boasts an output of up to 5kW and an efficiency approaching 78%.

A wider choice of Integra fireplaces, tiles, mantel options and all specifications can be found in the dedicated Integra Collection brochure available from your Retailer.



Mantel: Victorian Corbel in Limestone (60" or 54")

Shelf 1470mm, Height 1150mm

Base Variable, Internal Opening 965mm x 865mm, Rebate 76mm

Cast: Oxford Integra SF Black (available highlight polished)

Tiles: Luscia Ivory Burgundy

Hearth: Tiled (Ciara Slate) 1460mm x 438mm x 65mm

The FireBox



Manufactured in the UK

Key Facts:

Multi-fuel:	Wood & Smokeless Fuels
Construction:	Cast Iron & Steel
Flue Outlet:	Top
Flue Pipe Diameter:	5" (125mm)
Airwash:	Yes
Continuous Burning:	Yes for smokeless fuels
Output:	Up to 5kW
Efficiency:	Up to 65%
Additional Ventilation:	No
Air Regulator:	Yes (close for wood, open for smokeless fuels)

The FireBox is an attractive inset stove suitable for wood burning and smokeless fuels. Sporting outputs of up to 5kW and an efficiency approaching 65% the FireBox will fit into a standard fireplace opening with a Milner fireback (see page 21).

The matt black tiled hearth and recessed back panel are slabbed and re-inforced to help cope with the rigors of solid fuel.

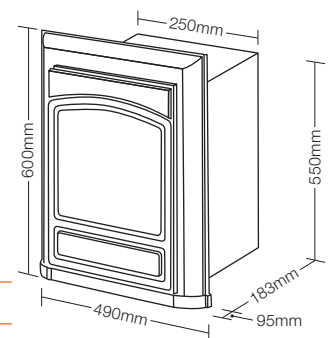
Mantel: Limerick in Cast-iron

Shelf 1530mm, Height 1200mm, Base 1400mm,

Internal Opening 915mm x 915mm, Rebate 76mm

Hearth: Tiled (Ciara Slate) 1460mm x 438mm x 65mm

Back Panel: Recessed Tile (Ciara Slate) 980mm x 947mm x 70mm



Anson with Deep SF Back



Key Facts:

Cast: **Anson Black**

Mantel: **Durham Crema Marfil**

Shelf 1520mm, Height 1140mm,
Base Variable, Rebate 76mm,
Internal Opening 940mm x 790mm

Fire-Back: **Deep SF Back**

Hearth*: **Black Granite (57" x 18")
1448mm x 457mm**

Solid Fuel: **SF Kit Z**

**Hearths fitted for solid fuel may have specific requirements to allow for expansion. Seek appropriate advice.*

The Anson cast-iron insert is shown here with a Deep SF (Solid Fuel) Back. This fireback has a replaceable clay firebrick suitable to be used with an open coal or log fire. Although less efficient than glass-fronted varieties the open aspect of this fireplace would certainly be considered a bonus by many.

A wider choice of cast-iron inserts, mantel options and specifications can be found in the Premier Collection brochure available from your Retailer.

It is not advisable to burn smokeless or petroleum based fuels in these castings as the severity of the heat may cause damage to the interior of the cast. Those wishing to burn smokeless fuels or requiring higher outputs and efficiencies should opt for dedicated DEFRA Approved Integra SF options on pages 6 & 7.



Clay Brick is Replaceable

Traditional Baskets



The Lions Basket looks elegant inside a chamber of four cast-iron Reeded Panels and is available polished as shown or matt black.

The mantel is the Kielder from the Traditions range of solid oak mantels. This mantel and the full Traditions range can be seen on page 24 of the Premier Collection brochure available from your Retailer.

Mantel: Traditions 'Kielder' in Solid Oak

Shelf 1372mm, Height 1220mm, Base 1245mm,

Internal Opening 915mm x 915mm, Rebate 25/75mm

Panels: 4 x Reeded 915mm x 415mm

Hearth: Black Granite 1372mm x 81mm

Lions Polished



W: 595mm D: 395mm H: 385mm

SFK L

Traditional Baskets



The **Uredale, Langdale & Swaledale** range of Dog Grates are available as Basic models or have the option of three interchangeable Back Plates. These Back Plates, the Lion, the Rose and the Fleur-de-Lys, can be matt black or highlight polished and simply hook on to the back of the basket.

There is an optional cast-iron firebrick as shown.

The **Gothic** and **Regency** Baskets are available in a matt black or highlight polished finish.

Solid Fuel Kits for all Basket Fires need to be ordered as extras. The relevant code is in the bottom right-hand corner of the basket display.

Dimensions for Basket Fires indicate the width (W), depth (D) and height (H).

Uredale



W: 508mm D: 343mm H: 580mm

SFK **F40**

Langdale



W: 546mm D: 330mm H: 580mm

SFK **F40**

Swaledale



W: 546mm D: 330mm H: 580mm

SFK **F40**

Gothic Polished



W: 600mm D: 340mm H: 555mm

SFK **H**

Regency Polished



W: 520mm D: 320mm H: 360mm

SFK **R**

Traditional Baskets



The Prince Basket is shown in a highlight polished finish within a chamber of antiqued Adam Panels (also available highlight polished or matt black).

The mantel shown is the Victorian Corbel in Carrara Italian pure marble.

Mantel: Victorian Corbel in Carrara

Shelf 1524mm, Height 1169mm, Base 1270-1450mm,

Internal Height 915mm, Rebate 75mm

Panels: 4 x Adam 915mm x 415mm

Hearth: Black Granite 1448mm x 457mm (57" x 18")*

**Hearths fitted for solid fuel may have specific requirements to allow for expansion.*

Prince Black



W: 535mm D: 295mm H: 572mm

SFK P

Traditional Baskets



Ennerdale*



Large W: 457mm D: 325mm H: 178mm

Small W: 400mm D: 279mm H: 178mm

**No Ashcover or Solid Fuel Kit available*

Basic Spanish 16" Black



Basic W: 406mm D: 330mm H: 229mm

With Back W: 406mm D: 290mm H: 476mm

Solid Fuel Kit S16

Spanish 18" Polished with Back



Basic W: 470mm D: 330mm H: 228mm

With Back W: 470mm D: 290mm H: 483mm

Solid Fuel Kit S18

Spanish 21" Black with Back



Basic W: 552mm D: 330mm H: 228mm

With Back W: 552mm D: 290mm H: 457mm

Solid Fuel Kit S21

Rosedale



W: 406mm D: 280mm H: 355mm

Solid Fuel Kit F42

Regent



W: 422mm D: 273mm H: 413mm

Solid Fuel Kit F42

Contemporary Baskets



The Nayaa Basket is shown here in a full polish finish but is also available in matt black. Shown with a gas fire inside the Nayaa Basket can also be used for electric or solid fuel.

Nayaa Basic Polished



W: 435mm D: 310mm H: 210mm

SFK **N**

Nayaa Polished with Back



W: 435mm D: 310mm H: 390mm

SFK **N**

Contemporary Baskets



Mantel: Traditions 'Danbury' in Solid Oak
 Shelf 1370mm, Height 1220mm, Base 1205mm,
 Internal Opening 915mm x 915mm, Rebate 25/75mm
 Panels: 4 x Adam 915mm x 415mm
 Hearth: Black Granite 1372mm x 381mm

Large Pendle Basic Black



Small W: 424mm D: 257mm H: 327mm **SFK F42**
Large W: 522mm D: 325mm H: 402mm **SFK F40**

Cast-iron Brick shown is an optional extra

Large Pendle Polished with Back



Small W: 424mm D: 257mm H: 412mm **SFK F42**
Large W: 522mm D: 325mm H: 510mm **SFK F40**

Cast-iron Brick shown is an optional extra

Buckets



Hadrian Black



13" (330mm) 10" (254mm) 9" (228mm)

Hadrian Copper



13" (330mm) 10" (254mm) 9" (228mm)

Hadrian Brass



13" (330mm) 10" (254mm) 9" (228mm)

Hadrian Pewter



13" (330mm) 10" (254mm) 9" (228mm)

Belford

Melrose Buckets



16" (406mm) 9" (228mm) Black & Brass or Pewter

Kelso Coal Hods



22" (559mm) Black, Black & Brass or Galvanised

Berwick Buckets



13" (330mm) Black, Black & Brass or Galvanised

Wicker Basket



430mm x 330mm
or 500mm x 380mm

Wooden Bellows



14" (355mm)

Sparkguards & Fire Screens



Dome Sparkguard



Black (also available Gold)

Small 21" (533mm) tall x 19" (480mm) wide

Large 23.5" (597mm) tall x 22" (559mm) wide

Square Sparkguard



Brass (also available Black, Chrome or Gold)

Small 23" (584mm) tall & 20.5" (521mm) wide

Large 25.5" (648mm) tall & 26.5" (673mm) wide

NOTE: Chrome only available in small size.

4 Fold Brass Screen



25" (635mm)

4 Fold Antique Pewter Screen



25" (635mm)

4 Fold Black Screen



25" (635mm)

4 Fold Screen Sets



Other Sizes: 21" (533mm), 28" (711mm) & 32" (813mm)

Companion Sets & Accessories



Abbey - Fleur de lys - Alston



Black 27" (686mm) Black 21" (534mm) Pewter or Black 16" (406mm)

Loop 25" (635mm)



Black Chrome Brass

Spiral 21" (533mm)



Black Chrome Brass

Empress 16" (406mm)



Black Brass Chrome

Flexseal Black 300ml is a high temperature (300C) Silicone Sealant for use where good adhesion and a flexible bond is required.

Flueseal Black 300ml is a high temperature (1000C) Silicone Sealant where extremely high adhesion is required with a rigid bond.



Fire Cement Black (1kg or 10kg) is a non-combustible high temperature (1400C) putty for bonding low porosity surfaces and for general sealing and repairing work.

Firemaster Stove Paint 400ml – fast drying high temperature paint for use on wood, stoves, cast-iron fireplaces, cookers & chimineas up to 650C and is ideal for touching up artificial 'gas' logs and coals.



Heat-Resistant Gloves

Metal Polish 150ml



Grate Polish 75ml



Shredded Heat - wood briquettes for wood burning stoves, open fires and chimineas.

Compared to logs Shredded Heat burn hotter for longer (making them more economical) and produce less ash and tar residue.

Made from clean waste wood, with no additives, glues, mdf or chipboard Shredded Heat are available in heat sealed packs of 12 (10kg) and 24.

Eco Firelighters - for use with wood burning stoves, open fires & chimineas.

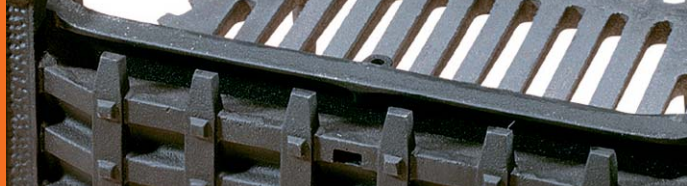
Made from a combination of FSC - Certified Forest Wood and vegetable oil they are odourless and clean to handle – unlike petroleum based alternatives.

Packed in attractive recycled paper packs, each pack contains 72 or 28 firelighter blocks.

Simply place 1-2 firelighters between two Shredded Heat briquettes, with a third briquette above forming a bridge. No kindling or paper required!



All Night Burners & Flue Pipe



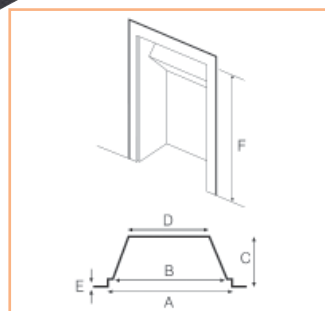
Real fires not only radiate warmth throughout your home but also continually circulate air that helps prevent damp and condensation.

Firemaster All Night Burners offer precise control over the primary air supply allowing them to burn unattended for long periods and they need not be let out for many weeks.

Choose from the plain simplicity of the Firestar to the more decorative Carlton design.

Whichever model you choose, follow the installation instructions supplied and you'll enjoy warmth and comfort for many years to come.

Firestar Assembly



16" (400mm) Fireplace Opening

A. Opening width	410	420
B. Fireback width	380	395
C. Fireback depth	170	185
D. Width at back	250	265
E. Surround Thickness	50	55
F. Height of Openings	560	570

Firestar



Matt Black 16"

Carlton



Matt Black 16"

Premier Vitreous Enamelled Flue Pipe

Available in 4" (100mm) to 8" (200mm) diameters with or without inspection door.



Manufactured in the UK



Adaptors



Damper Unit



Adjustable Lengths

3 sizes available from 14" (350mm) up to 63" (1600mm)



Bends

90°, 110°, 135°, 150° and 165°



Swept Elbows

90°, 110° or 135°



Tees

90° or 135°



Straight Lengths

1ft (300mm) to 4ft (1200mm)



Trim Rings

Standard or 45° angle



Wall Brackets



Rear Flue Box

Frets



Mantel: Chelsea Mocha Beige
 Cast: Reeded Plate
 Trim: Chrome
 Fret: Classic Guardette Polished



Black or Polished

Classic Guardette 16"/18"



Black with Brass Trimmings

Classic Vogue 16"/18"



Black or Polished

Willow 16" or 18"



Joyce 16" or 18"



Midland 16"



Ofco Guardette 16"



Mark 3 Fret 16"



N Fret 14", 16" or 18"



Trevor Fret 12"

Grates & Ashpans



'N' 14", 16" & 18"



Classic 16" & 18"



Ofco 16"



Joyce 16" & 18"



Melton 16"



Astra 16" & 18"



Stool 16"



Firefly 16" & 18"



Trevor 12"



Firestar 16" & 18"



Drop Front 16"



Baxi Burnell 16" & 18"



Classic 16" & 18"



Regal 16" & 18"



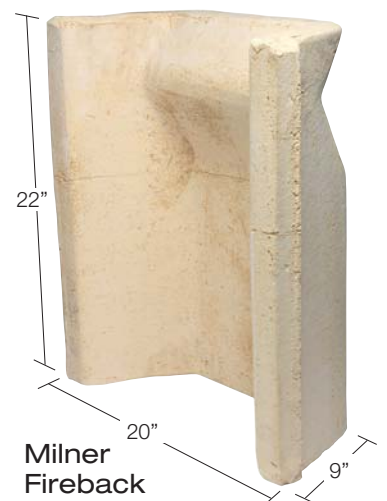
Milner 16"



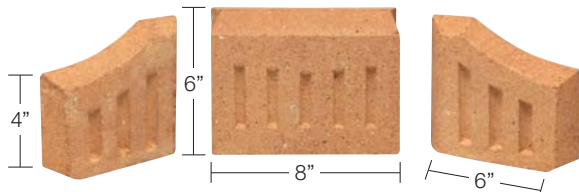
Baxi Burnell 16" & 18"



Throat Lintel



Milner Fireback



Coal Savers



Soot Boxes 9" x 9"

6" x 9"

Flexible Flue Liners

For re-lining an existing chimney



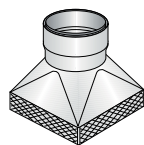
TecnoFlex

TecnoFlex 316L is a twin wall corrosion resistant stainless steel flexible flue liner.

Specifically manufactured for the re-lining of existing chimneys TecnoFlex is suitable for wood burning and multi-fuel use and is approved by HETAS (The independent body recognised by DEFRA for the official testing and approval of solid fuel and wood burning appliances).



The flexible liner is cut in lengths according to requirement and usually has an internal diameter of 150mm (HETAS guideline minimum for wood burning stoves) unless stated otherwise by the appliance manufacturer.



Gather Unit

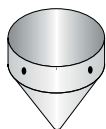
Open fires inside a standard builders opening require a minimum diameter of 200mm and usually the requirement of a Gather Unit.

TecnoFlex is available with internal diameters of **155mm, 180mm** and **200mm**.

Installation

According to Document J of the Building Regulations flexible flue liner must be installed completely inside a masonry chimney. The chimney condition should be inspected beforehand, tested to ensure it is suitably sized and free from obstructions and then swept prior to installation after any remedial work has been carried out.

The flue liner can be pulled up or down the chimney using a nose cone and should be insulated with products such as Vermiculite, Micafil or Chimwrap to aid the performance of the appliance and the flue.



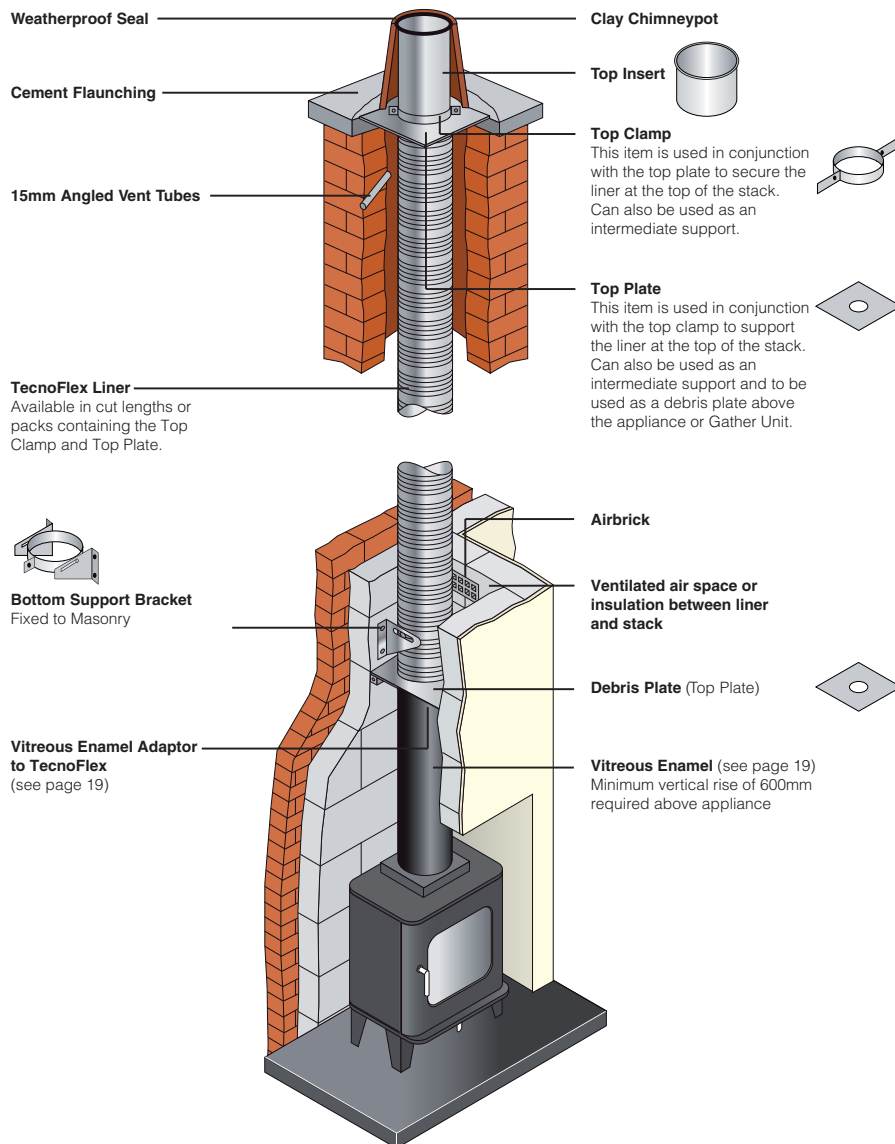
Nose Cone

Rain caps and covered terminals are not recommended for use with solid fuels as they will restrict flow and encourage condensates and deposits.

Installation should be carried out by a Competent Person.

For more comprehensive technical information and additional component parts please request the full TecnoFlex brochure from your Retailer.

Typical Stove Installation



Warranty and After Care

TecnoFlex 316L has a conditional warranty of 10 years.

The liner should be swept twice a year by a suitably qualified chimney sweep and all deposits removed to prevent the accumulation of material which could ignite and create a fire hazard.

Only fuels which are HETAS approved or recommended by the appliance manufacturer should be used.

Wood must be seasoned and stored for 6 months in a dry condition (see Shredded Heat briquettes page 18).

Useful Contacts
 Installer Helpline: **0191 416 6666**
 Online Brochure: **www.schiedel.co.uk**
 Solid Fuel Info: **www.hetas.co.uk**

TecnoFlex is manufactured by Schiedel (Rite-Vent).

Lower Your Carbon Count

Wood is the most environmentally friendly fuel you can use. The use of wood in an efficient glass fronted stove can save nearly 200kg of carbon per year when compared to the use of an electric fire.



The carbon saving is further increased by using a well insulated chimney that has a diameter of less than 200mm as this reduces the air loss in the chimney by 50%. This is good news for your stove, good news for your TecnoFlex flue liner and good news for the planet.



Manufactured in the UK

Twin Wall Chimney System

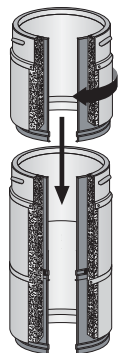
For new chimneys



ICID

ICID is a twin wall insulated chimney system specifically designed for use with stoves and multi-fuel appliances.

It comprises of an easy to assemble twist-lock bayonet system and is secured by a locking band.



Twist-lock bayonet jointing system

The system is designed so that the laser welded 304 stainless steel outer case is load bearing and the laser welded 316L stainless steel inner liner is free to expand independently to accommodate temperature change.

A 25mm Superwool™ blanket maintains flue gas temperature, maximising efficiency, improving flue draught on start up, minimising condensation and creating a low external case temperature.

Flue Routing

The chimney should remain as straight as possible through its vertical run to assist flow.

Should it be necessary to offset a chimney run the offset should be no greater than 45 degrees to the vertical, with a run between bends not exceeding 20% of the overall height of the chimney. A maximum of two bends should be used.

A vertical rise of 600mm should be allowed immediately above the appliance before any offsets.

A chimney would normally have an internal diameter of 150mm when fitted to a wood burning/multi-fuel stove but this is compliant upon guidelines found in Building Regulations Doc J and the requirement of the manufacturer. ICID is available with internal diameters of **150mm, 180mm and 200mm.**

Terminals

For solid fuel appliances, BS7566 recommends use of an open terminal for chimneys up to 200mm diameter. Rain ingress should not be significant and covered terminals can restrict flow and encourage condensates and deposits. Mesh also carries the risk of sooting and requires regular cleaning.



If required however, a Raincap is available with or without mesh.

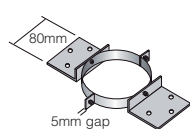
Raincap

Internal Chimney

Tapered Terminal



Roof Support



Firestop Plate 2 piece

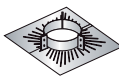


Locking Band

Supplied with pipes, bends, tees & terminals.



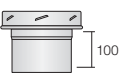
Support Plate 2 piece



Firestop Plate 2 piece

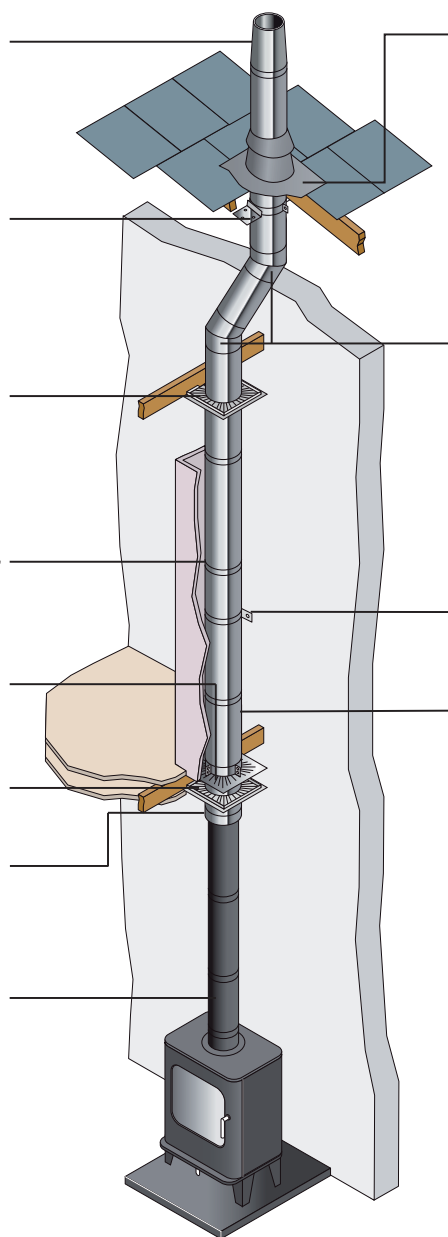


Appliance Connector



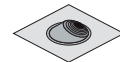
Vitreous Enamel

(see page 19)
Minimum vertical rise of 600mm required above appliance

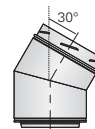


Uniflash

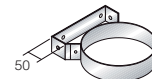
Universal EPDM rubber/aluminium flashing. Just pull the required diameter tab on the rubber seal.



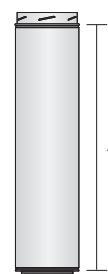
The most frequently used bends are **30° Bend & 45° Bend**



Wall Bracket 50mm



Flue Pipe

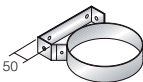


Lengths
1500mm
1000mm
500mm
300mm
150mm

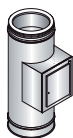
Adjustable Pipe 75 - 250mm

External Chimney

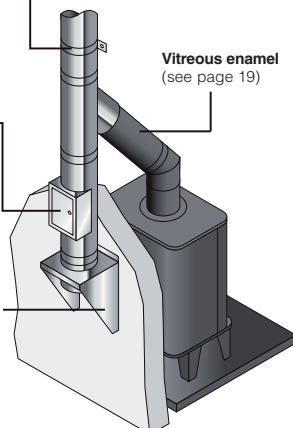
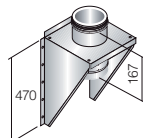
Wall Bracket 50mm



Inspection Length



Wall Support



Vitreous enamel
(see page 19)



Manufactured in the UK

For more comprehensive technical information and additional component parts please request the full ICID brochure from your Retailer.

Useful Contacts

Installer Helpline: **0191 416 6666**
Online Brochure: **www.schiedel.co.uk**
Solid Fuel Info: **www.hetas.co.uk**

ICID is manufactured by Schiedel (Rite-Vent) International and is CE Certified to EN1856-1 Tuv 0036CPD9195010 and carries a 10 year conditional warranty.

Ashpan & Grate Selector



Solid Fuel Sets

Four items go together to form a Solid Fuel Set. The Fret, Grate, Ashpan & Lifting Tool. To choose your Fret start by measuring the width of your fire opening which come in sizes of 12", 14" 16" and 18". Next choose the fret which is best suited to your particular needs (page 20) and then view the grate and ashpan selector to determine your full Solid Fuel Set. If you empty your ashpan regularly and burn only approved fuels your genuine Firemaster grate will give you good service for years to come.

Choosing your Fret

Design	12"	14"	16"	18"	Grate	Ashpan
Carlton			●		Regal	Regal
Classic Guardette			●	●	Classic	Classic
Firestar			●	●	Firestar	Regal
Joyce			●	●	Joyce	Classic
Mark 3			●		Ofco	Classic
Midland			●		Ofco	Classic
N Fret		●	●	●	N Grate	Varies
Ofco			●		Ofco	Classic
Trevor	●				Trevor	N/A
Victorian			●		Victorian	Universal
Vogue			●	●	Classic	Classic
Willow			●	●	Joyce	Classic

Solid Fuel Set



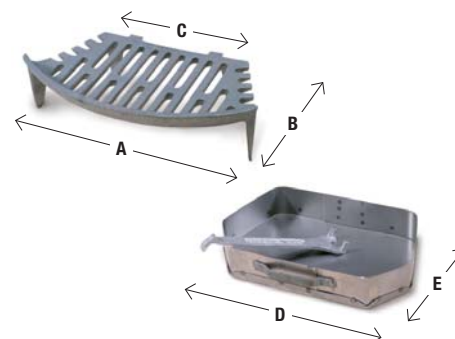
Grate selector

Design	A	B	C	Bow or Straight front	No. of legs	Ashpan
*Astra 16"	400mm	260mm	250mm	S	4	Regal
*Astra 18"	435mm	260mm	290mm	S	4	Regal
Classic 16"	385mm	235mm	240mm	S	4	Classic
Classic 18"	430mm	250mm	305mm	S	4	Classic
Drop Front 20 16"	365mm	210mm	240mm	S	2	Regal
Firestar 16"	365mm	230mm	255mm	S	2	Regal
Firestar 18"	415mm	220mm	305mm	S	2	Regal
*Joyce 16"	370mm	250mm	245mm	B	4	Classic
*Joyce 18"	410mm	240mm	295mm	B	4	Classic
Melton 16"	380mm	265mm	245mm	B	4	Melton
N Grate 14"	330mm	285mm	205mm	B	4	N/A
N Grate 16"	375mm	275mm	245mm	B	4	Milner
N Grate 18"	420mm	275mm	295mm	B	4	Classic
Ofco 16"	365mm	235mm	250mm	B	4	Classic
Regal 16"	380mm	240mm	250mm	S	2	Regal
Regal 18"	415mm	230mm	300mm	S	2	Regal
Stool 16"	370mm	270mm	250mm	B	4	Classic
Trevor 12"	290mm	220mm	150mm	B	4	N/A
Victorian 16"	375mm	240mm	235mm	B	4	Universal

*Fuel guard available as an optional extra

Ashpan selector

Design	D	E	Rectangular or Tapered
Classic 16"	285mm	205mm	T
Classic 18"	345mm	205mm	T
Melton 16"	255mm	205mm	R
Milner 16"	320mm	245mm	T
Regal 16"	320mm	240mm	T
Regal 18"	325mm	220mm	T
Universal	295mm	205mm	T



Dealer Stamp

Cast Tec Ltd
East Side, Tyne Dock
South Shields
NE33 5SP

CASTTEC
for all your cast-iron needs

Tel: 0191 497 4280
Fax: 0191 497 4288
Email: info@casttec.co.uk
Web: www.casttec.co.uk

Products shown in this brochure are manufactured for Cast Tec Ltd., who, with a professional group of companies, distribute them throughout the UK. Goods must be checked as merchantable quality prior to fitting or usage, as no responsibility will be accepted thereafter. Faulted goods must be reported within 48 hours. Due to the manufacturing process measurements shown in this brochure may vary. Errors and omissions excepted. Caution must be taken with petroleum based fuels as the heat intensity can cause damage to consumable products such as firebricks, bottom grates and ashpans. It is normal for some discoloration to occur to the working parts of a cast-iron fireplace. If discoloration is likely to cause some distress, use a black finish and remember that cast-iron is robust and can always be refurbished when not in use. Cast Tec Ltd. reserve the right to delay or withdraw products, change designs, specifications or materials without prior notice due to continuous product development or supply problems. Photographs and designs shown in this brochure are the copyright and design rights of Cast Tec. Ltd. and can only be used or copied with permission.