



For Your Nearest Stockist - T: 01400 263 319  
[www.carronheating.co.uk](http://www.carronheating.co.uk)



[www.carronheating.co.uk](http://www.carronheating.co.uk)  
T: 01400 263 319 | E: [sales@carronheating.co.uk](mailto:sales@carronheating.co.uk)



Within the UK it is no secret that the weather is unpredictable. With this in mind, there is no better time to introduce a new, warm and economical stove.

At Carron Heating we pride ourselves on supplying high quality products at competitive prices; there is no exception with the NEW Carron ECO 5kW 2022 Stove. The new contemporary design of the ECO 5kW 2022 Stove features an innovative side handle and also includes the following benefits:

**Wood Burning/ Multi-Fuel Option:** The Carron ECO 5kW 2022 Stove is available with a multi-fuel option meaning the stove can not only burn wood, it can also burn smokeless mineral fuel. Ordinarily, wood burners are designed to have a fixed grate and no ashpan, as wood burns best on hot ashes. The multi-fuel option incorporates a raised grate aiding the combusted air to flow underneath the fuel for effective burning. This design also allows the easy removal of ash from below by using a removable ashpan. The Carron multi-fuel kit is available for £90 inc VAT.

**ECO Design Compliant:** As part of the Clean Air Strategy, the UK Government has introduced ECO Design regulations that will be effective from 01 January 2022 to help reduce the impact heating appliances have on our environment. This means there will be stricter guidelines in place to limit Particulate Matters, Organic Gaseous Compounds, Carbon Monoxide and Nitrogen Oxide. Only those appliances that have been tested and verified as meeting these new requirements will be able to be sold and installed in the UK. The Carron ECO Stove is rated as 'Highly Efficient' at 78.6%.

**Designed and Tested In The UK:** The Carron ECO 5kW 2022 Stove was designed in rural Lincolnshire specifically for the UK market and was tested, inspected and certified by Kiwa (specialist in high quality verification processes). This has enabled Carron to understand the customers needs and ensured the stove is suitable for use within smoke control areas. DEFRA (Department for Environment Food and Rural Affairs) is the governing body and their recognition means the stove is legally allowed to burn specified fuels in smoke controlled zones.

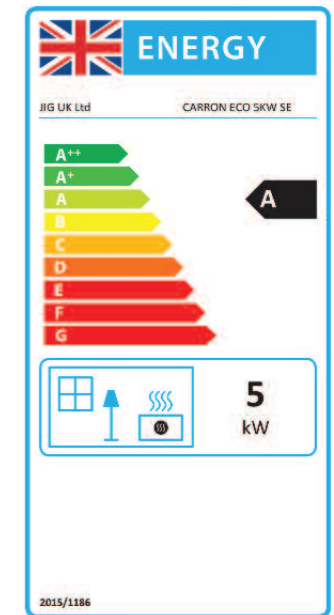
**Cleanburn Technology:** The Carron ECO 5kW 2022 Stove has cleanburn technology that allows preheated air to be reintroduced to help prevent the glass becoming dirty and blackened. Combined with a large picture window, this allows your customer to relax and see the hypnotic flames.

**Colour Options:** The Carron ECO 5kW 2022 Stove is available in 6 enamel colours including cream, ash grey, antique, sage green, black and red and additionally matt black. With each stove there is an option to purchase a colour-matching flue pipe. These start from £80.50 inc VAT.

**Stove Spares** are available at: [www.carronspares.co.uk](http://www.carronspares.co.uk)

**Warranty**  
Carron Stoves are supplied with a 3 year warranty. This warranty does not cover items considered consumables. These items include door glass, fire bricks, fire rope and grates. The use of incorrect fuels would invalidate this warranty. This appliance must be installed by a HETAS engineer. Proof of purchase and certificate of installation would be required in the case of a warranty claim. Due to limitations of the printing process, colour reproduction of enamel stoves may vary slightly from those shown. Please consult your local stockist for more accurate colour matching. Occasionally the enamel finish can show a crazing/cracking effect on the surface of the stove during use. This effect will normally lessen as the stove cools and should not be considered a defect. This crazing effect can be made worse by incorrect fuel or over-fueling.

Stove Features
<b>Designed And Tested</b> In The UK
Stove Construction - <b>Cast Iron</b>
Approved For Use In <b>Smoke Control Areas</b>
<b>3 Year Guarantee</b> - T&Cs Apply
<b>Highly Efficient</b> - Meaning More Economic To Run
<b>Large Picture Window</b> - See The Hypnotic Flames
<b>Cleanburn Technology</b> - Prevents Glass From Becoming Dirty
Wood Burning With <b>Multi-Fuel Option Available</b>
<b>FREE Delivery</b> To UK Mainland - Exclusions Apply
<b>External</b> Air Supply
<b>5" Flue</b> And <b>Top Flue</b> Exit
Weight: <b>72kg</b>



**Matt Black** 5kW ECO 2022 Stove  
**£895.00 inc VAT**



**Cream Enamel 5kW ECO 2022 Stove**  
£1,055.00 inc VAT



**Antique Enamel 5kW ECO 2022 Stove**  
£1,055.00 inc VAT



**Ash Grey Enamel 5kW ECO 2022 Stove**  
£1,055.00 inc VAT



**Sage Green Enamel 5kW ECO 2022 Stove**  
£1,055.00 inc VAT



**Red Enamel 5kW ECO 2022 Stove**  
£1,055.00 inc VAT



**Black Enamel 5kW ECO 2022 Stove**  
£1,055.00 inc VAT

## 135° Swept Elbow - No Door 5"Ø

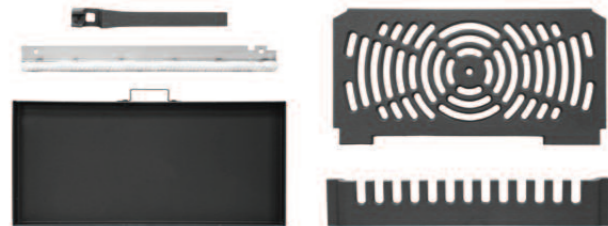


<b>Matt Black</b> PFS121 £81.50 inc VAT	<b>Black Enamel</b> PFS122 £92.00 inc VAT	<b>Red Enamel</b> PFS123 £157.00 inc VAT	<b>Cream Enamel</b> PFS126 £92.00 inc VAT	<b>Sage Green Enamel</b> PFS240 £92.00 inc VAT	<b>Ash Grey Enamel</b> PFS241 £92.00 inc VAT	<b>Antique Enamel</b> PFS274 £92.00 inc VAT
---	---	--	---	--	--	---

## Standard Pipe - No Door 5"Ø (600 Or 900mm High)



<b>(600mm)</b> <b>Matt Black</b> PFS025 £64.00 inc VAT	<b>(600mm)</b> <b>Black Enamel</b> PFS026 £80.50 inc VAT	<b>(600mm)</b> <b>Red Enamel</b> PFS027 £181.00 inc VAT	<b>(600mm)</b> <b>Cream Enamel</b> PFS030 £80.50 inc VAT	<b>(600mm)</b> <b>Sage Green Enamel</b> PFS200 £80.50 inc VAT	<b>(600mm)</b> <b>Ash Grey Enamel</b> PFS201 £80.50 inc VAT	<b>(600mm)</b> <b>Antique Enamel</b> PFS262 £80.50 inc VAT
<b>(900mm)</b> <b>Matt Black</b> PFS037 £87.50 inc VAT	<b>(900mm)</b> <b>Black Enamel</b> PFS038 £111.00 inc VAT	<b>(900mm)</b> <b>Red Enamel</b> PFS039 £251.50 inc VAT	<b>(900mm)</b> <b>Cream Enamel</b> PFS042 £111.00 inc VAT	<b>(900mm)</b> <b>Sage Green Enamel</b> PFS216 £111.00 inc VAT	<b>(900mm)</b> <b>Ash Grey Enamel</b> PFS217 £111.00 inc VAT	<b>(900mm)</b> <b>Antique Enamel</b> PFS254 £111.00 inc VAT

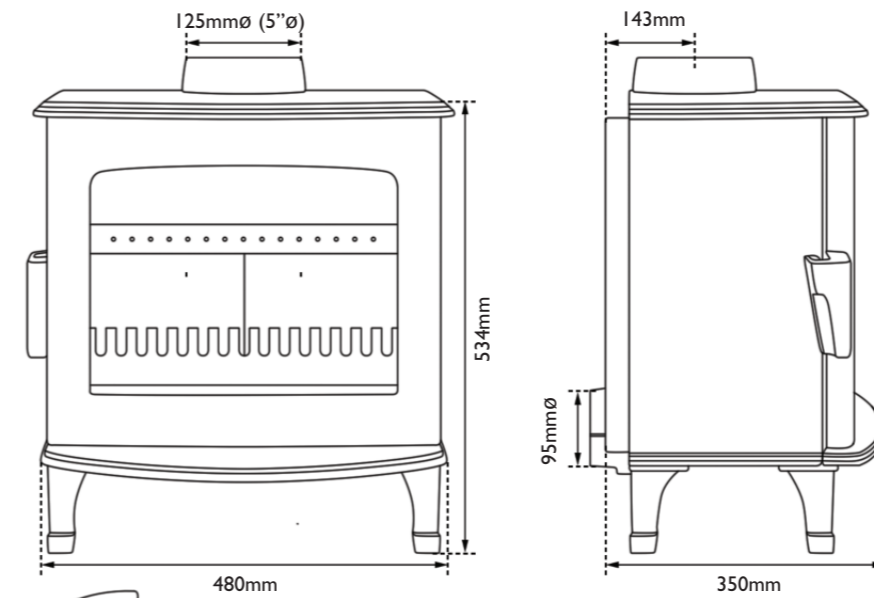


**Multi-Fuel Kit - Carron 5kW ECO 2022 Stove**  
**BHC810** £90.00 inc VAT

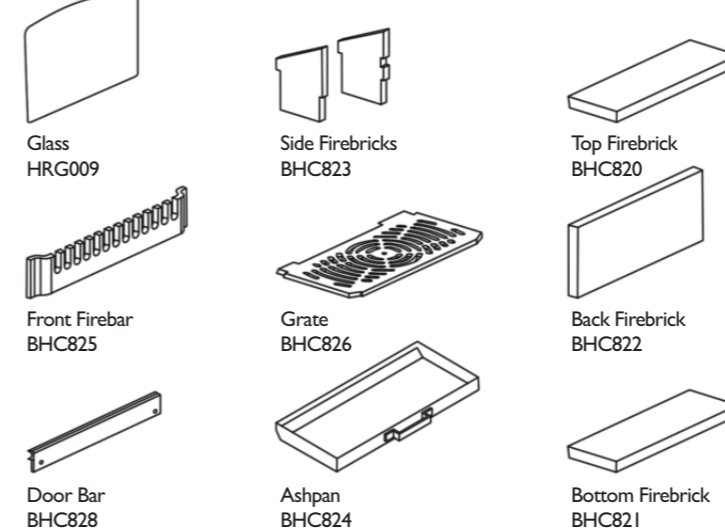


# Stove Hearths

# Carron ECO 5kW 2022 Stove Specification & Spares



ECO 2022	Wood Fuel	Smokeless Fuel	
Nominal output	5kW	5kW	
Efficiency	78.6%	75.5%	
CO at 13% O2	0.11%	0.08%	
Flue temperature	309°C	347°C	
Flue gas mass flow	4.0g/s	4.1g/s	
Flue draught	12Pa	12Pa	
Weight of stove	72kg	72kg	
Flue required	5"	5"	
Hearth temperature	44°C	44°C	
Suitable for use on a 12mm hearth			
Maximum log length	300mm	300mm	
Maximum log width	125mm	125mm	
<b>IMPORTANT!</b> Clearances must be adhered to. Failure to do so will damage the stove & invalidate warranty.			
Clearances to:-	Each Side	Rear	Above
Combustibles	400mm	350mm	600mm
Non combustibles	150mm	150mm	300mm



Commission Delegated Regulation (EU) 2015/1187 Energy Labelling of Local Space Heaters	
Supplier's Name or Trademark	JIG uk Ltd
Supplier's Model Identifier	Carron ECO 5kW SE
Energy Efficiency Class of Model	A
Nominal Heat Output to Room (kW)	5.0
Nominal Heat Output to Water (kW)	N/A
Net Efficiency (%)	78.6
Energy Efficiency Index (%)	104

- Glass Can Be **Painted In Over 10,000 Colours**
- **Rear Extension** Available
- **Easy** Maintenance
- Weight: **17.5kg** (HEF297)
- Weight: **8.5kg** (HEF298)

**Glass Curved Front Stove Hearth**  
HEF297 900x750x12mm (As Above)  
**£207.00 inc VAT**

Also Available: **Rear Extension**  
HEF298 900x300x12mm (As Above)  
**£170.00 inc VAT**



- **Made From Solid Travertine** - An Especially Attractive Form Of Limestone With Its Fibrous, Marble-like Texture And Attractive Earth-tone Colours
- **Durable**
- **Easy** Maintenance
- Weight: **59kg**

**Travertine Curved Front Stove Hearth**  
HEF295 900x750x40mm (As Shown)  
**£562.00 inc VAT**

- **Made From Solid Travertine** - An Especially Attractive Form Of Limestone With Its Fibrous, Marble-like Texture And Attractive Earth-tone Colours
- **Durable**
- **Easy** Maintenance
- Weight: **84kg**

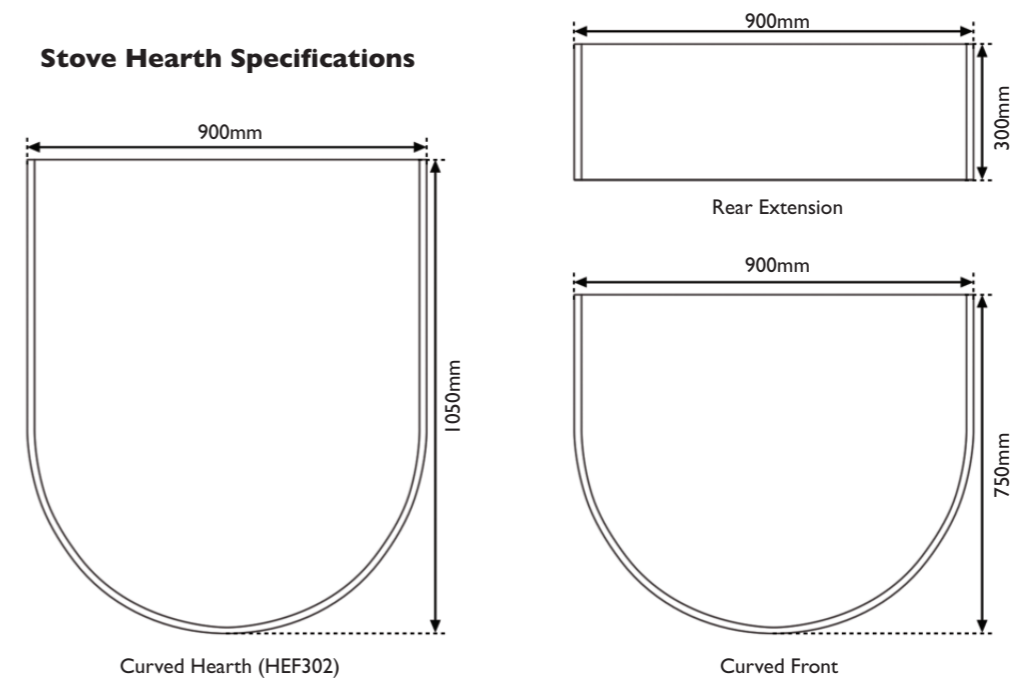
**Travertine Curved Front Stove Hearth**  
HEF302 900x1050x40mm (As Shown)  
**£689.00 inc VAT**

- **Made From Solid Granite**
- **Rear Extension** Available
- **Timeless** Style
- **Hard** Wearing
- **Easy** Maintenance
- Weight: **71.5kg** (HEF291)
- Weight: **34.5kg** (HEF292)

**Black Granite Curved Front Stove Hearth**  
HEF291 900x750x40mm (As Shown)  
**£578.00 inc VAT**

Also Available: **Rear Extension**  
HEF292 900x300x40mm (As Shown)  
**£217.50 inc VAT**

## Stove Hearth Specifications



Travertine and Granite - 40mm Thickness  
Glass - 12mm Thickness