

Marine Heating Solutions

COOKING | HEATING | HOT WATER

A night scene of a canal with narrowboats and buildings. The canal is filled with narrowboats, some of which are illuminated from within. The buildings on the left are multi-story and have a distinctive architectural style with gabled roofs and bay windows. The scene is lit with warm yellow lights, and the sky is a deep blue. The water in the canal reflects the lights and the buildings.

bubbles

Imagineering ...

Bring a new level of comfort and convenience to your life

BUBBLE PRODUCTS are made in the town of Harworth, south East of Doncaster and West of the Chesterfield Canal. We Design and Manufacture an extensive range of Marine Heating and Cooking appliances for both Oil firing and Solid Fuel firing applications.

Our manufacturing process utilises the latest technology from:

CAD drawing in house

Laser cutting in Doncaster

3D modelling in Rotherham

CNC machining in Birmingham

Printing and Graphics in Retford (on Beehive Street)

All our products are hand finished and tested to order. Wherever possible we will source all our requirements from local and UK based suppliers.

We aim to utilize the rich and diverse source of skills and professional services available both locally and right across the UK and try to do our bit for UK PLC.

We pride ourselves on our excellent after-sales service for spares and maintenance and we are confident that the installation of one of our heating appliances will be a heartwarming addition to your boat/home.



Photograph courtesy of Sandra Flynn

RELIABLE AND HEARTWARMING SOLID FUEL STOVES

CORNER STOVE



The ultimate answer to space saving! Introduced some 15 years ago and rapidly seized upon by many boat builders, the advanced features of the triangular solid fuel corner stove have made it into a huge success. Now with a new cooking hot plate, improved combustion efficiency and larger choice of colours, the Corner Solid Fuel gets even better. Proven long lasting reliability and a superb knowledgeable spares back up make this a perfect solution for heating your boat.

- **Space Saving**
Triangular profile and built in heat shields allow the stove to be integrated seamlessly with interior layouts creating a fully fitted look.
- **Multi Fuel**
Burns wood, peat or solid fuel and cooks on the top plate.
- **Ash Cleanliness**
Specifically designed to constrain ash where it should be, inside the stove and not on the hearth in front of it. With a deep, large capacity ashpan to make this the cleanest stove available.
- **All Night Burning**
Deep set fire grate accommodating large fuel loads making for easy all night burning.
- **Clean Burn Combustion**
Air wash to help keep the door glass clean.
Over fire air for wood burning.
Under fire air for solid fuel.
- **Integral Boiler Version**
Integral boiler version available, centrally heat and produce hot water with a wet version; it's the only stove with a fully integral, wrap around boiler.
- **Additional Features**
Adjustable door hinges.
Long Life adjustable door lock.
Stay cool door handle.
Long Life Stainless steel grate.
Long Life Stainless steel grate carrier.
Long Life Stainless steel front fret.
Long life Stainless steel baffle plate .
Built in fiddle rail.
- **Options**
Available in different colours.
Brass or Bright Fittings.

4B STOVE



The 4B is a rectangular version of Corner Stove incorporating all of the well proven features but having a larger Firebox and Ashpan, a Hot Plate and an optional Fiddle Rail. Designed to generate and maintain high combustion chamber temperatures, both clean and easy to use. Ash spillage, leakage and resultant mess is a major problem on boats and in sheds, as a consequence we have designed features into the stove to mitigate this problem.

- **Multi Fuel**
Burns wood, peat or solid fuel and cooks on the top plate.
- **Ash Cleanliness**
Constrain ash where it should be, inside the stove and not on the hearth in front of it.
- **All Night Burning**
Deep set fire grate accommodating large fuel loads making for easy all night burning.
- **Clean Burning**
Air wash air to help keep the door glass clean.
Over fire air for wood burning.
Under fire air for solid fuel.
- **Additional Features**
Adjustable door hinges.
Long Life adjustable door lock.
Stay cool door handle.
Long Life Stainless steel grate.
Long Life Stainless steel grate carrier.
Long Life Stainless steel front fret.
Long life Stainless steel baffle plate.
External Riddling.
Rear heat shield as standard.
- **Options**
Available in different colours. Brass or Bright Fittings.
Brass or Bright Fiddle rail. Brass or Bright Hob Saver.
Brass or Bright ash catcher insert.
Integral boiler version available.
Centrally heat and produce hot water with a wet version.



RELIABLE AND HEARTWARMING SOLID FUEL COOK STOVE & COOKER

4B PIE POD OVEN STOVE

BAKE, BOIL & ROAST, FRY, SIMMER & TOAST. ©



Illustrated on the inner page of the front cover, the 5kW, 4B Pie Pod is a feature packed, multi fuel stove incorporating a practical rectangular oven above with no electrical requirement.

Use the base of the oven to boil, fry, toast and cook pizzas, the middle of the oven for roasts and bread baking and the top of the oven for pastries whilst simmering takes place on the stove top plate.

- **Ash Cleanliness**

Constrain ash where it should be, inside the stove and not on the hearth in front of it.

- **Clean Burning**

Air wash air to help keep the door glass clean.
Over fire air for wood burning.
Under fire air for solid fuel.

- **All Night Burning**

Deep set fire grate accommodating large fuel loads making for easy all night burning.

- **Oven Features**

Rectangular, dome topped oven heated on all five sides and vented into the flue through the oven top plate.
Oven sizes are 300 wide x 230 deep x 230 high. (mm)
Long Life stainless pastry tray and matching wire rack with lifting tool.
Two position stainless tray supports.
Glass panelled oven door with temperature gauge.
Stay cool door handles.

- **Additional Features**

Adjustable door hinges.
Long Life adjustable door lock.
Long Life Stainless steel grate.
Long Life Stainless steel grate carrier.
Long Life Stainless steel front fret.
Long life Stainless steel baffle plate.
External Riddling.
Built in rear heat shield.

- **Options**

Available in different colours.
Brass or Bright Fittings.
Brass or Bright Fiddle rail.
Integral boiler version available.
Centrally heat and produce hot water with a wet version.

BACK CABIN COOKER

BAKE, BOIL & ROAST, FRY, SIMMER & TOAST. ©



The latest addition to the family is the amazing Solid Fuel, Back Cabin Cooker. A miniature cooker combining old world charm with modern combustion technology and superb cooking performance with thought out flue position to accommodate easy flue pipe fitting in Narrowboats avoiding the tumblehome and fasten down feet.

- **Oven Features**

297 deep x 245 wide x 297 high (mm)
Hot Plate 334 wide x 226 deep (mm)
All round oven heating with oven vent into the flue through the oven top plate.
Three position stainless tray supports, stainless pastry tray and matching wire rack with lifting tool.
Glass panelled oven door with temperature gauge.
Stay cool oven door handle.

- **Ash Cleanliness**

Constrains ash where it should be, inside the stove and not on the hearth in front of it.

- **Clean Burning**

Air wash to help keep the door glass clean.
Over fire air for wood burning.
Under fire air for solid fuel.

- **All Night Burning**

Deep set fire grate accommodating large fuel loads making for easy all night burning.

- **Additional Features**

Adjustable door hinges.
Long Life adjustable door lock.
Long Life Stainless steel grate.
Long Life Stainless steel grate carrier.
Long Life Stainless steel baffle plate.
External Riddling.
Built in rear and side heat shields.
Door catch operating tool.
Bolt down foot plates.

- **Options**

Available in different colours.
Insulated Hot Plate lid.
Brass or Bright Fittings.
Brass or Bright Fiddle rail.
Stainless or Brass hob saver.
Stainless or Brass ash catcher insert.
1.5kw Boiler version available.



SILENT SIMPLICITY OIL FIRED STOVES

CORNER STOVE



Introduced some 20 years ago and rapidly seized upon by many boat builders, the advanced features of the 4 kW, triangular oil fired Corner Stove have made it very popular with boaters. Now upgraded with a new cooking hot plate and choice of colours the stove gets even better.

Proven long lasting reliability and a superb knowledgeable spares back up.

▪ Space Saving

Triangular profile and built in heat shields allow the stove to be integrated seamlessly with interior layouts creating a fully fitted look.

▪ Clean and Convenient

For those who prefer the convenience of oil heating then the Corner Oil fits the bill.

▪ Constant Warmth

Oil stoves can run at a controllable, constant steady temperature creating a much more comfortable environment and minimise condensation.

▪ Integrated Fiddle Rail

Integrated fiddle rail to stop cook pans slipping off the top plate.

▪ Additional Features

Built in drip tray.
Adjustable door hinges and door lock.
Stay cool easy to use door handle.

▪ Options

Available in different colours.
Brass or Bright Fittings.
Integral, wrap around boiler version available to produce central heating & hot water.
Patented Artificial Coal effect Kit.
Choice of 28sec kerosene or 35sec diesel oil.

Integral boiler version available. Centrally heat and produce hot water with a wet version, its the only stove with a fully integral, wrap round boiler.

B1 HALF POD STOVE



The B1 Half Pod is a new stove based on the popular B1 oil stove which has been successfully sold into the marine market for the past 20 years. The heart of the matter is the superb, blue flame burner pot and the easy access lighting port.

- Quick and easy manually ignition.
- Easy access lighting port.
- Integrated cooktop.
- Minimises Condensation

Runs at a constant steady temperature creating a very comfortable environment minimising condensation.

▪ Clean and Convenient

The stove incorporates a high performance burner capable of generating blue flame combustion.

▪ Additional Features

Heavy duty, thicker stove top plate.
Heavy duty cooking hot plate.
Stay cool door handle.
Fully adjustable door hinges.
Fully adjustable door lock.
Polished Stainless Steel rear heat shields
Stainless Steel lower heat shield.
Fastening down brackets are provided.
Rear mounted oil control valve with settings from 1 (minimum) to 5 (maximum)

▪ Options

Available in different colours.
Brass or Bright Fittings.
Brass or Bright Fiddle rail.
Choice of 28sec kerosene or 35sec diesel.
Integral boiler version available.
Patented Artificial Coal effect Kit.



SILENT SIMPLICITY

OIL FIRED COOK STOVE & COOKER

B1 PIE POD OVEN STOVE



The B1 Pie Pod is a feature packed, oil fired stove incorporating a practical rectangular oven with no electrical requirement. Use the base of the oven to boil, fry, toast and cook pizzas, the middle of the oven for roasts and bread baking and the top of the oven for pastries whilst simmering takes place on the stove top plate. Oil stoves can run at a constant steady temperature creating a consistent comfortable environment minimising condensation.

▪ Oven Features

Rectangular, dome topped oven, heated on all five sides with oven vented into the flue pipe.
 Heavy duty, replaceable oven bottom plate 6mm.
 300 wide x 230 deep x 230 high. (mm)
 Longer lasting stainless pastry tray and matching wire rack with lifting tool.
 Two position stainless tray supports.
 Glass panelled oven door with temperature gauge. Stay cool oven door handle.

▪ Integrated cook top.

▪ Quick and easy manually ignition.

▪ Heat narrow boats up to 70 feet long.

▪ Clean and Convenient

▪ Additional Features

Fully adjustable door hinges.
 Fully adjustable door lock.
 Stay cool easy to use door handle.

▪ Options

Available in different colours.
 Brass or Bright Fittings.
 Brass or Bright Fiddle rail.
 Choice of 28sec kerosene or 35sec diesel.
 Integral boiler version available.
 Patented Artificial Coal effect Kit.

BACK CABIN COOKER



The latest addition to the family is the 4 kW, Oil Fired Back Cabin Cooker which runs entirely free from electrical consumption making it ideal for off grid boating.

The oil version employs all the technology used in our other oil fired stoves and provides a steady oven temperature gradient from 140 Deg C on low fire to 230 Deg C on high fire.

The hot plate has a focussed hot spot directly over the burner with simmering temperatures towards its opposite end with hot plate frying temperatures attainable on setting 4 of the oil valve control knob.

Oil consumption of only 8cc's per minute on maximum burn and 4cc's per minute on minimum burn make this one of the most economical oil fired appliances in its class.

Fall in love with this little cooker and it will give you many hours of pleasure.

▪ Additional Features

Oven sizes are 297 deep x 245 wide x 297 high (mm)
 Hot plate 334 wide x 226 deep (mm)
 Oven door glass thermometer.
 Stainless Steel oven linings.
 Stay cool oven door handle.
 Stainless steel oven tray.
 Stainless steel wire oven rack.
 Fully adjustable door hinges and locks.
 Built in heat shields to reduce rear and side radiation.
 Easy access controls.
 Easy access lighting.
 Rear or side fitting oil control valve positions. (Specify when ordering.)

▪ Options

Available in different colours.
 Brass or Bright Fittings.
 Brass or Bright Fiddle rail.
 Insulated Hot Plate lid.
 Hob Saver.
 Crumb Catcher.
 1.5kw Boiler version available.



RELIABLE CONVENIENT AUTOMATIC OIL FIRED BOILER

VERTICAL VERSION



HORIZONTAL VERSION



Suitable for heating Narrowboats, Barges, Dutch Barges and Tjalks, Caravans, Showmans Vans and homes with a maximum heat requirement of up to 12.5 kW. Cost, Convenience, Reliability and Efficiency are the main stays of the PJ Auto Boiler. For live aboard boaters it's a must, bringing a new level of comfort and convenience to life aboard.

Its rugged reliability will provide a trouble free source of automatically controlled heat when and where you want it and the water jacket and stainless baffles carry a full five year warranty. Using the latest Ecoflam Max Oil Burner technology, it's a heavyweight in all aspects except the cost, at almost half the price of its nearest competitor the PJ packs a heavy punch. Available in two configurations either vertical or horizontal, the PJ can be fitted in a variety of locations and can be supplied as a boiler only or a complete package including all the components listed.

- **Time and Temperature Control Pack**

Fully Time clock controllable using the Danfoss Y or S plan control packs. 7 day time clock on – off controls for both hot water and central heating with timed hot water only for summer time. Full automatic, thermostatic control of both hot water and central heating temperatures.

- **Flue Pack**

Through side or through deck flue packs available, see technical installer manual for illustrations.

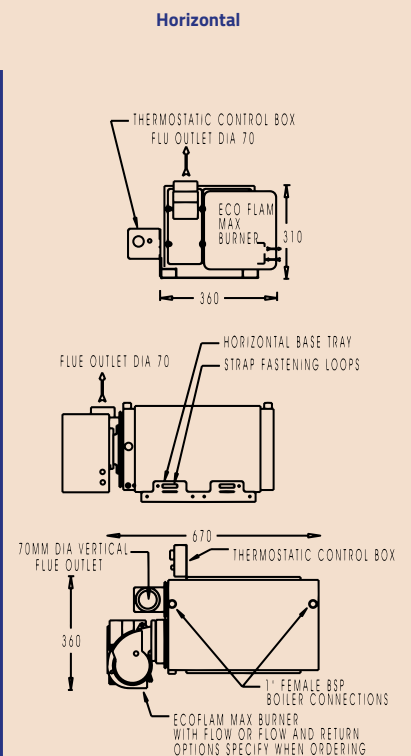
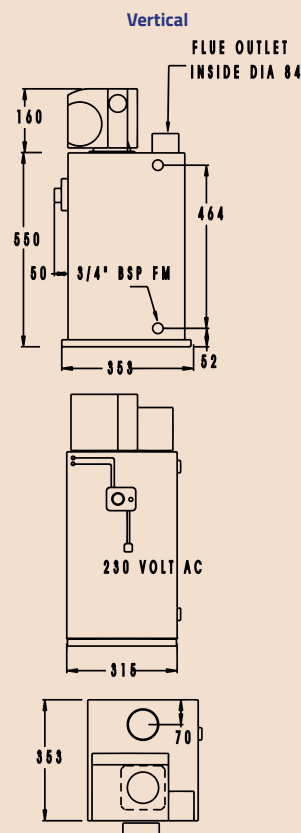
- **Oil Line Pack**

Oil line packs for positive or negative head situations including Remote Sensing Firevalve, Oil Tank Connection, Isolation Devices and Oil Line De Aerators.

- **Low Running Costs**

The automatic burner modulates on and off in line with your heating demand which is controlled by the setting of the hot water thermostat attached to the hot water calorifier or the setting of the room temperature control thermostat.

DIMENSIONS AND SPECIFICATION



WEIGHT:
Vertical 44kg
Horizontal 44kg

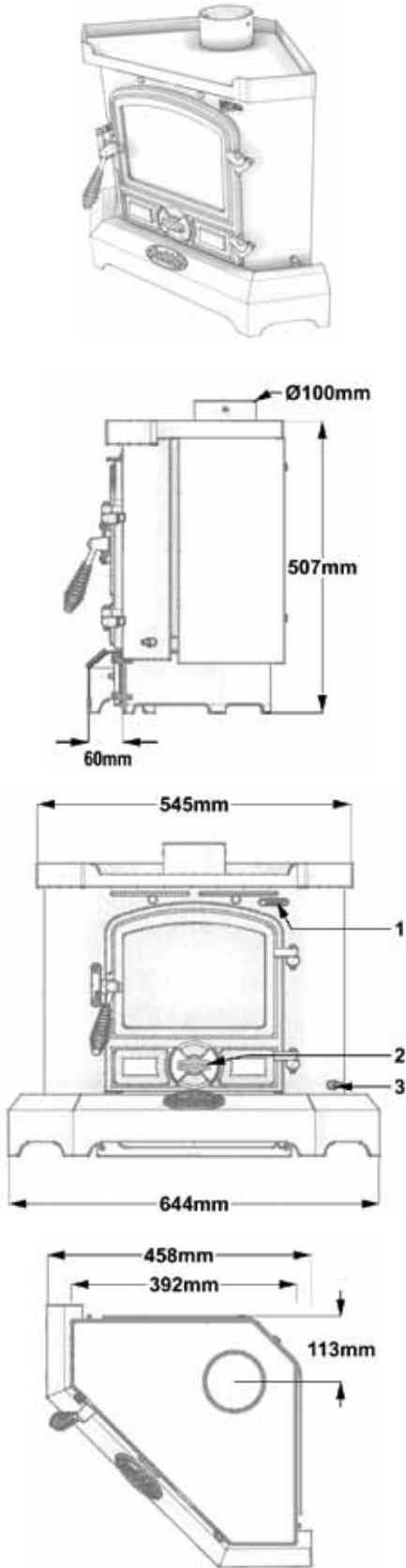
kW:
Vertical 12.5kW
Horizontal 12.5kW



INFORMATION

DIMENSIONS AND SPECIFICATION

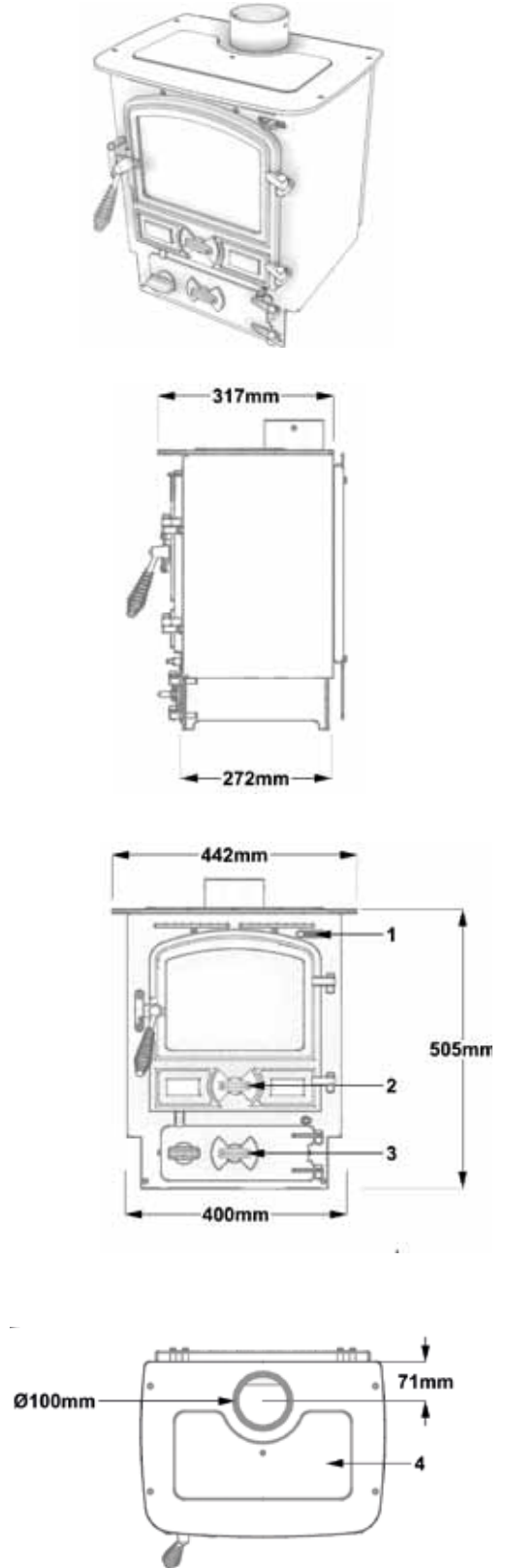
SOLID FUEL CORNER STOVE



WEIGHT: 60kg

kW: 4kW

SOLID FUEL 4B STOVE



WEIGHT: 60kg

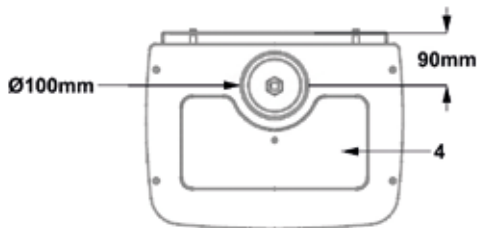
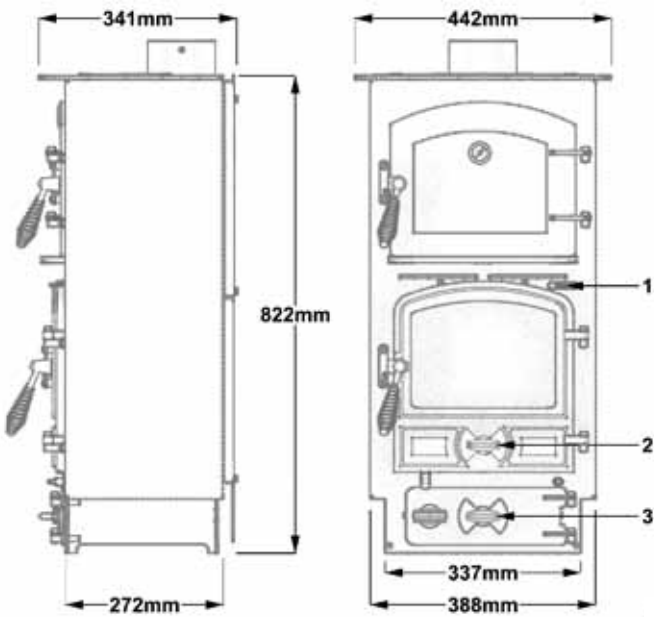
kW: 5kW



INFORMATION

DIMENSIONS AND SPECIFICATION

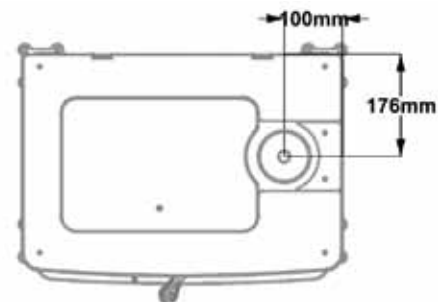
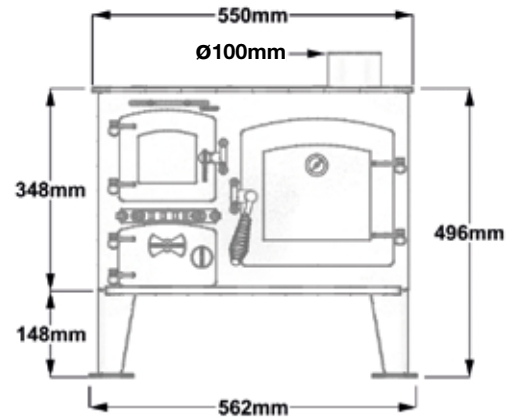
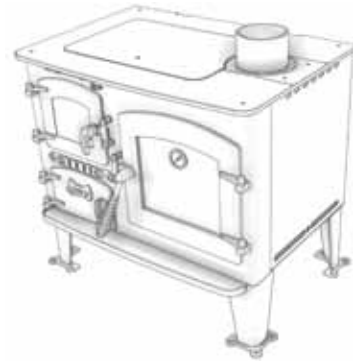
SOLID FUEL 4B PIE POD OVEN STOVE



WEIGHT: 100kg

kW: 5kW

SOLID FUEL BACK CABIN COOKER



WEIGHT: 90kg

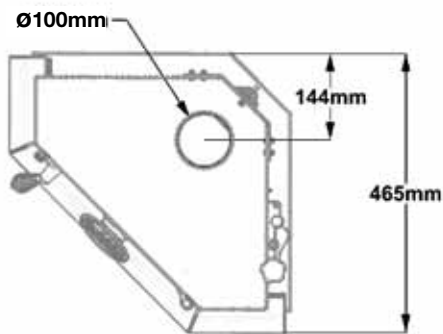
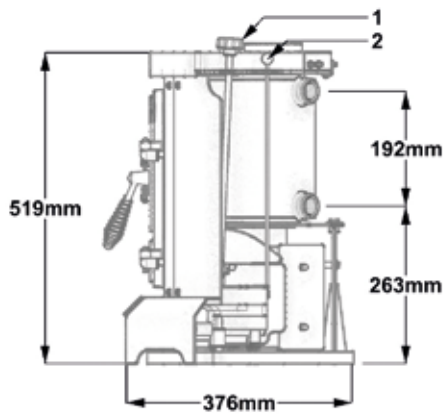
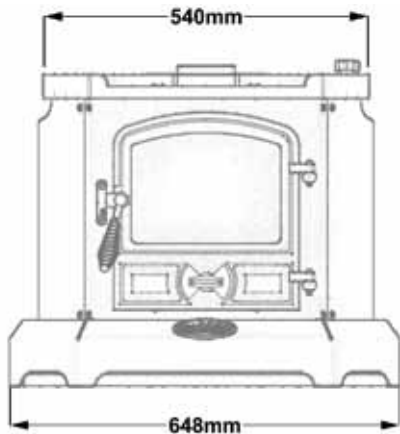
kW: 4kW



INFORMATION

DIMENSIONS AND SPECIFICATION

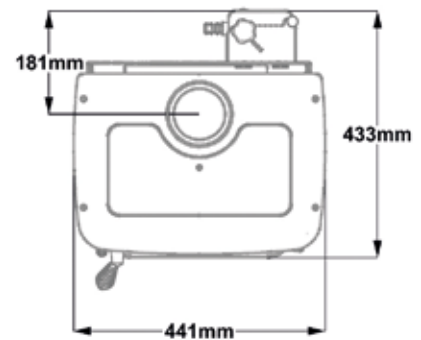
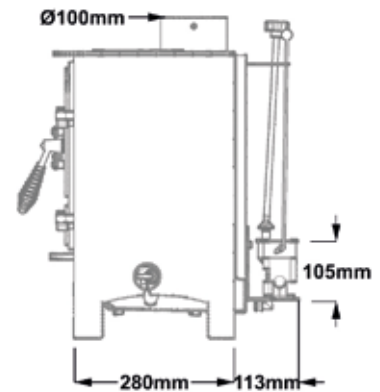
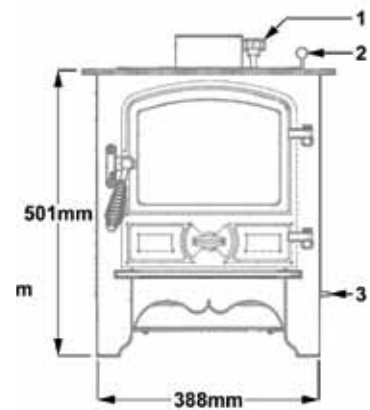
OIL FIRED CORNER STOVE



WEIGHT: 44kg

kW: 4kW

OIL FIRED B1 HALF POD STOVE



WEIGHT: 48kg

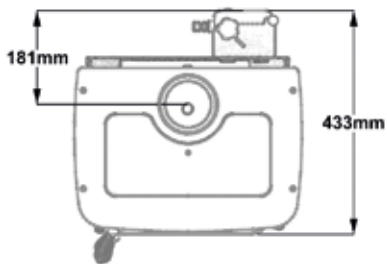
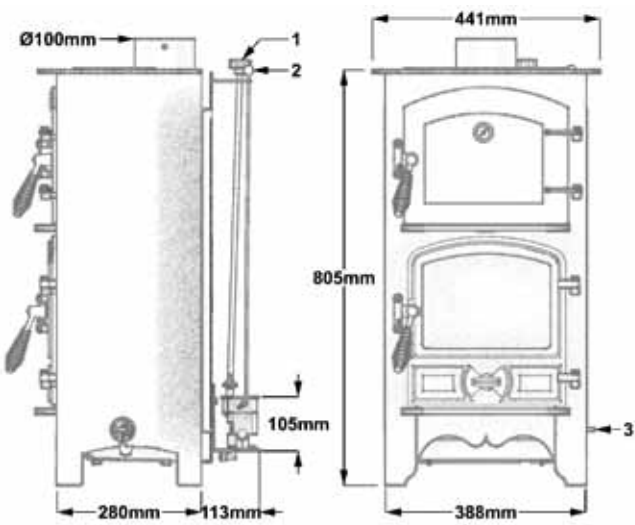
kW: 5kW



INFORMATION

DIMENSIONS AND SPECIFICATION

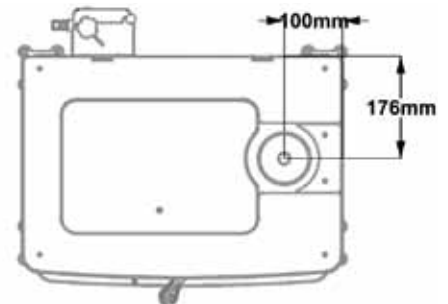
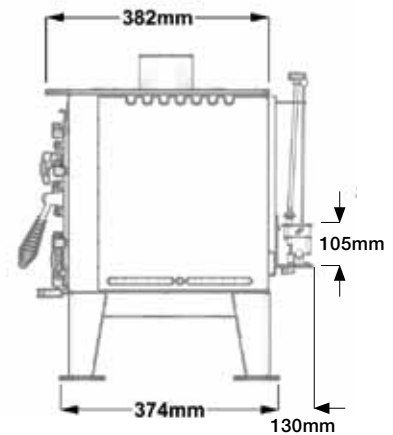
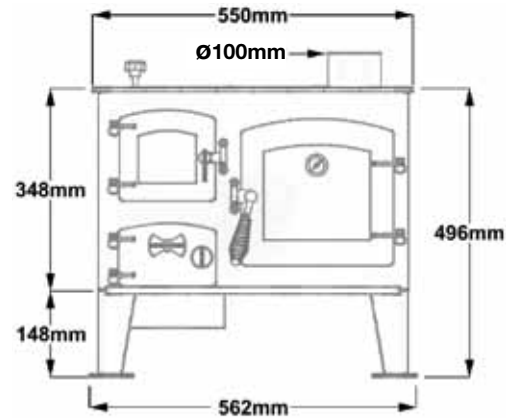
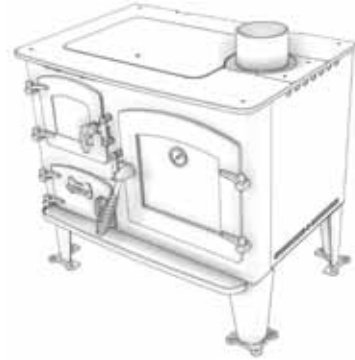
OIL FIRED B1 PIE POD OVEN STOVE



WEIGHT: 70kg

kW: 5kW

OIL FIRED BACK CABIN COOKER



WEIGHT: 70kg

kW: 4kW



Stockist

This product is subject to continuous development and improvement and it is consequently acknowledged, that due to this process, there may be some omissions and errors. This publication is intended only to assist the reader in the use of this product and therefore Bubble Products shall not be liable for any loss or damage whatsoever arising from the use of any information, error or omission found in this publication



Imagineering

Bubble Products Ltd

Blyth Road, Harworth, Doncaster, South Yorkshire DN11 8NE

T: 01302 742 520 F: 01302 750 573 E: sales@bubbleproducts.co.uk

www.bubbleproducts.co.uk

COOKING | HEATING | HOT WATER

