

AGA SOLID FUEL

(E)

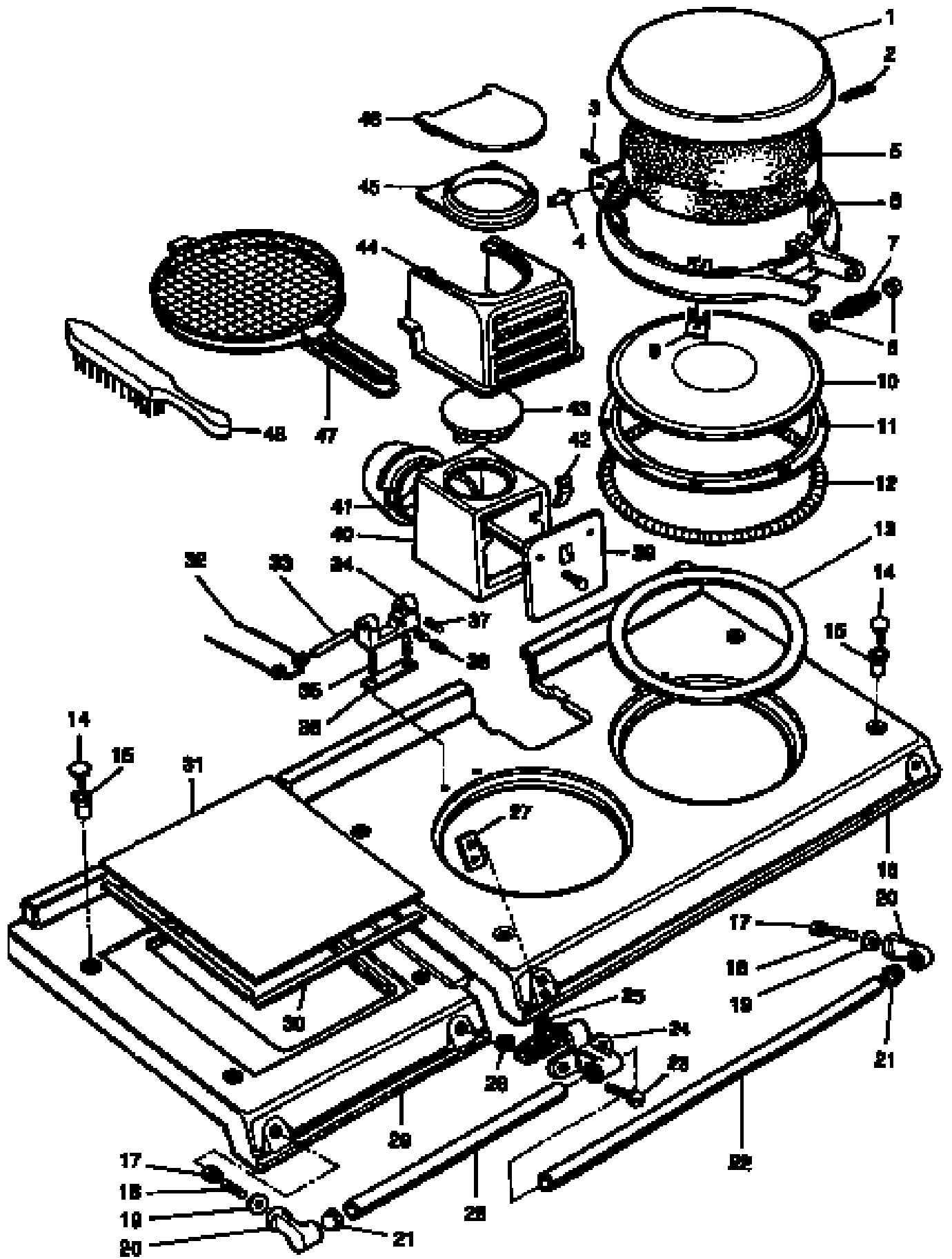
(POST 1974)

S P A R E P A R T S

M A N U A L

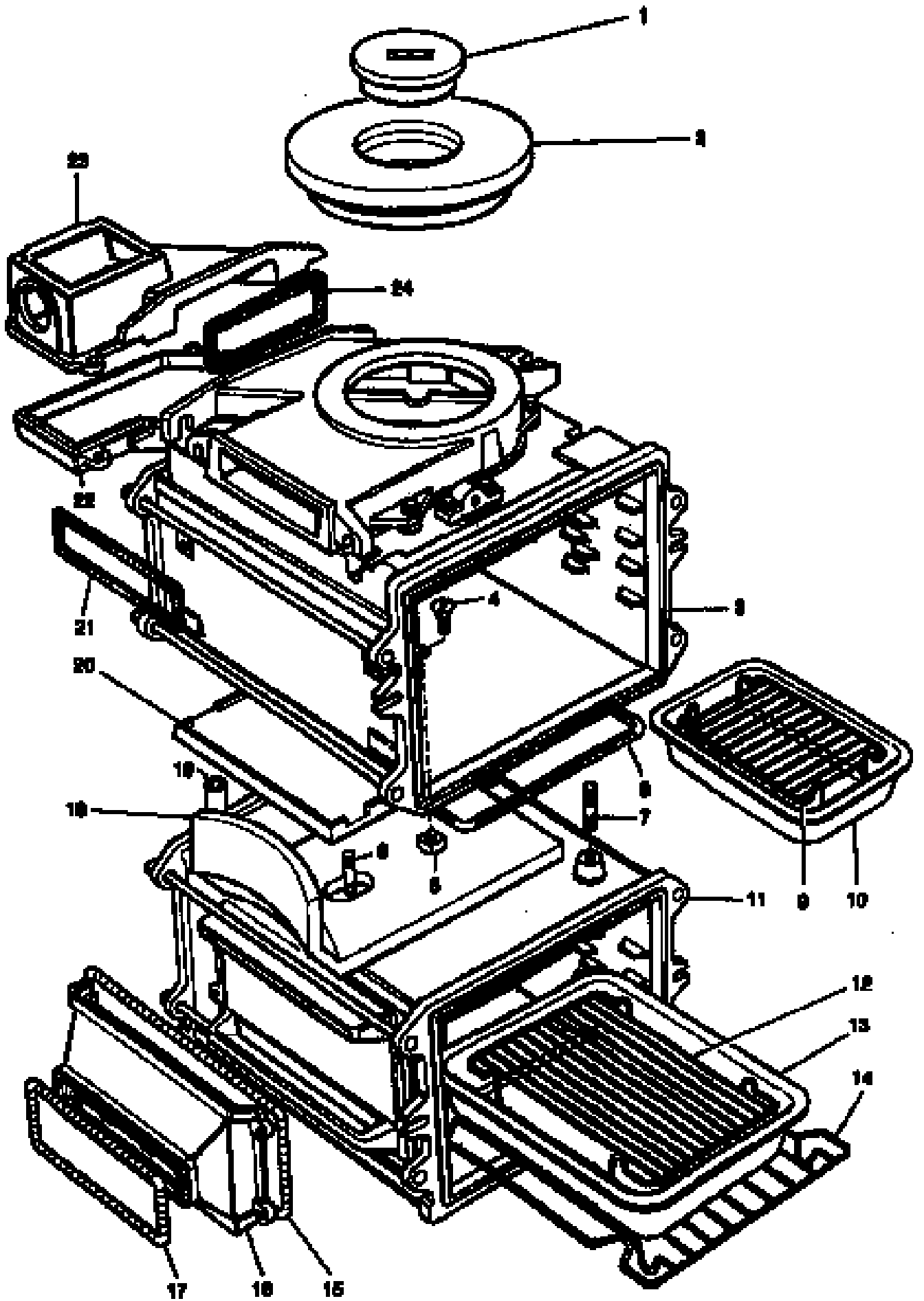
ITEM No.	C AT No.	DESCRIPTION	PRODUCT CODE
1	A3614	ST/STL INSULATING LID COVER	AG4M210905
	A2590	INSULATING LID C/I - NOT SHOWN (95-98)	AG5E210387
	A3895	INSULATING LID C/I - NOT SHOWN (98	AG5E210864
	A1221	ONWARDS)	AG4M28101
	A3756	INSULATING LID CHROME - NOT SHOWN	AG1M210917
2	A3283	STEEL DOME ASSY - COMPLETE	KGRB500445
3		GRUB SCREW M10 x 25mm (1997+)	KGRB500437
4	A3501	M6 x 6mm GRUB CUP PNT GRUB (1997+)	AG4M210620
5		ADJUSTABLE PIVOT BEARING (1995+)	MRWF35400
6	A3511	ROCKWOOL FIBRE	AG5E210862
7	R3028	INSULATING LID - OUTER RING	RO4M340522
8	R3029	COIL HANDLE	RO4M340521
9	A3636	INSULATING LID HANDLE CUPS	AG4M210904
10	A1632	DOME CLAMPING BRACKET	AS4M34760
10A	A1500	INSULATING LID LINING RH (1979+)	AG4M34767
10B	A1633	INSULATION LID LINING RH (1974-1978)	AS4M34771
10C	A1499	INSULATING LID LINING LH (1979+)	AO4M34766
11	A1647	INSULATING LID LINING LH (1979+)	AS4M40980
11A	A1767	INNER HOLDING RING (1979+)	AS9M49650SET9
11B	A1766	SET OF 9 FIXING SCREWS FOR No.11 (1974-	AS9M49650SET4
11C	A1807	1979)	AS9M53507SET
12	A1863	ALTERNATIVE SET OF 4 FIXING SCREWS (1974-	JMAR20410
13	A1342	1979)	AG5M210840
14	A2119	FIXING CLIPS FOR 11B (1974-1979)	AG4M210228
15	A2123	DOME SEALING ROPE	AG4M210244
16	A2246	INSULATING RING	AG5E210167
17	R2630	CORNER STAY BUTTON BSW	KNUT53061
18		CORNER STAY NUT 5/16 BSW	KSTD500010
19		TOP PLATE	KWSR53346
20	A2314	NUT M8 x 35 LG	AG4M210853
21	A2975	ALLTHREAD M8 x 35 LG	AG4M210660
22	A2414	WASHER M8 I/D SHAKEPROOF	AG4M210445
22A	A1630	HANDRAIL BRACKET	AG4M210642
23	A3109	VINYL END CAP	KMIS500305
24	A3622	EXTENDED HANDRAIL COOKER (AFTER	AG4M210854
25	A2532	1995)	JGSG210523
26	A3044	HANDRAIL COOKER (PRE 1995)	JWSR210469
27	A3738	SCREW HANDRAIL JOINTING (POST 1994)	AG2M210467
28	A2415	BRACKET HANDRAIL JOINTING	AG4M210446
28A	A1631	GASKET HANDRAIL JOINTING	AG4M210643
29	A2457	JOINTING BRACKET WASHER	AG5E210391
30	A3446	HANDRAIL BRACKET PLATE	JGSG210483
	A3445	HANDRAIL HOTCUPBOARD (AFTER 1995)	JGSG210482
31	A2474	HANDRAIL (PRE 1995)	AG9M210402COMP
32A	A3117	TOP PLATE - HOTCUPBOARD	AG9M998347
32B	A3118	SEALING STRIP - SHORT	AG9M998348
32C	A2556	SEALING STRIP - LONG	AG1M999802
32D	A3116	HOTCUPBOARD HOTPLATE (POST 1995)	AG9M998340
33	A3134	10mm HINGE SPRING - ST/STL (1997+)	AG4M210775
33A	A1651	10mm HINGE SPRING - CI (1997+)	AS4M42886
33B	A3519	8mm HINGE SPRING ST/ST LID (1995-1997)	AG4M210621
34	A3184	8mm HINGE SPRING C/I LID (1995-1997)	AG5E210860
34A	A1322	HINGE SPINDLE (1974-1995)	AG5E3-9268

ITEM No.	C AT No.	DESCRIPTION	PRODUCT CODE
35	A2081	M6 x 25mm STUD	KSTD44711
36	A2589	HINGE BLOCK GASKET	JGSG210477
37	A2583	M6 x 6mm LG SKT GRUB SCREW	KGRB500437
38		M6 x 10mm LG SKT GRUB SCREW	KGRB50512
39	A1695	FLUE CHAMBER FRONT	AS5M82545
40	A1536	FLUE CHAMBER	AO5M200038
41	A1537	FLUE CHAMBER NOZZLE	AO5M83141
42	A3157	FLUE CHAMBER FRONT LOCATING BRKT	AS2M200021
43	A3026	BLANKING DISC	AO5E83142
44	A2239	FLUE CHAMBER SHROUD	AO5E220023
45	A1521	FLUE CHAMBER FILLER RING	AO5E83953
46	A2222	FLUE CHAMBER SHROUD FILLER PLATE	AG5E210262
47	A1843	TOASTER	EACS47380
48	A1841	WIRE BRUSH	EACS23230



TOP PLATES, HOTPLATE & INSULATING LIDS

ITEM No.	C AT No.	DESCRIPTION	PRODUCT CODE
1	A1697	RH PLUG (40mm OVERALL)	AS5M83288-39-5
2	A1689	SIMMERING PLATE	AS5M81624
3	A1607	ROASTING OVEN ASSY	AS1M-DLX-RO
4		SCREW M12 x 30 C/SNK HEAD	
5		M12 SQUARE NUT	
6	A2961	SEALING ROPE	JTHR220116
7		SCREW M12 x 40 CUP PNT SKT HD	KGRB500338
8		SCREW M12 x 40 CUP PNT SKT HD	KGRB500338
9	A2312	GRILL RACK - SMALL	AG4M210269
10	A3284	ROASTING TIN - SMALL	EMTY530217
11		BAKING OVEN	AS1M-E-BO
12	A2313	GRILL RACK - LARGE	AG4M210268
13	A3285	ROASTING TIN - LARGE	EMTY530218
14	A1282	OVEN GRID SHELF	AG4M41621
15		ROPE	JTHR20389
16	A2335	FILLER PIECE LH SIDE	AS5M81108
17		ROPE	
18	A1975	BAKING OVEN - TOP HEAT CONDUCTING	AS5M1-16183
19		PLATE	AO4M220058
20	A1122	OVEN VENT PIPE	AE5M1-10034
21	A2308	ROASTING OVEN - BTM HEAT CONDUCTING	JGSG210327
22	A1344	PLATE	AG5M81621
23	A1688	GASKET	AS5M81620
24	A2306	FLUE MANIFOLD BOTTOM HALF	JGSG210328
		FLUE MANIFOLD TOP HALF	
		FLUE MANIFOLD GASKET	

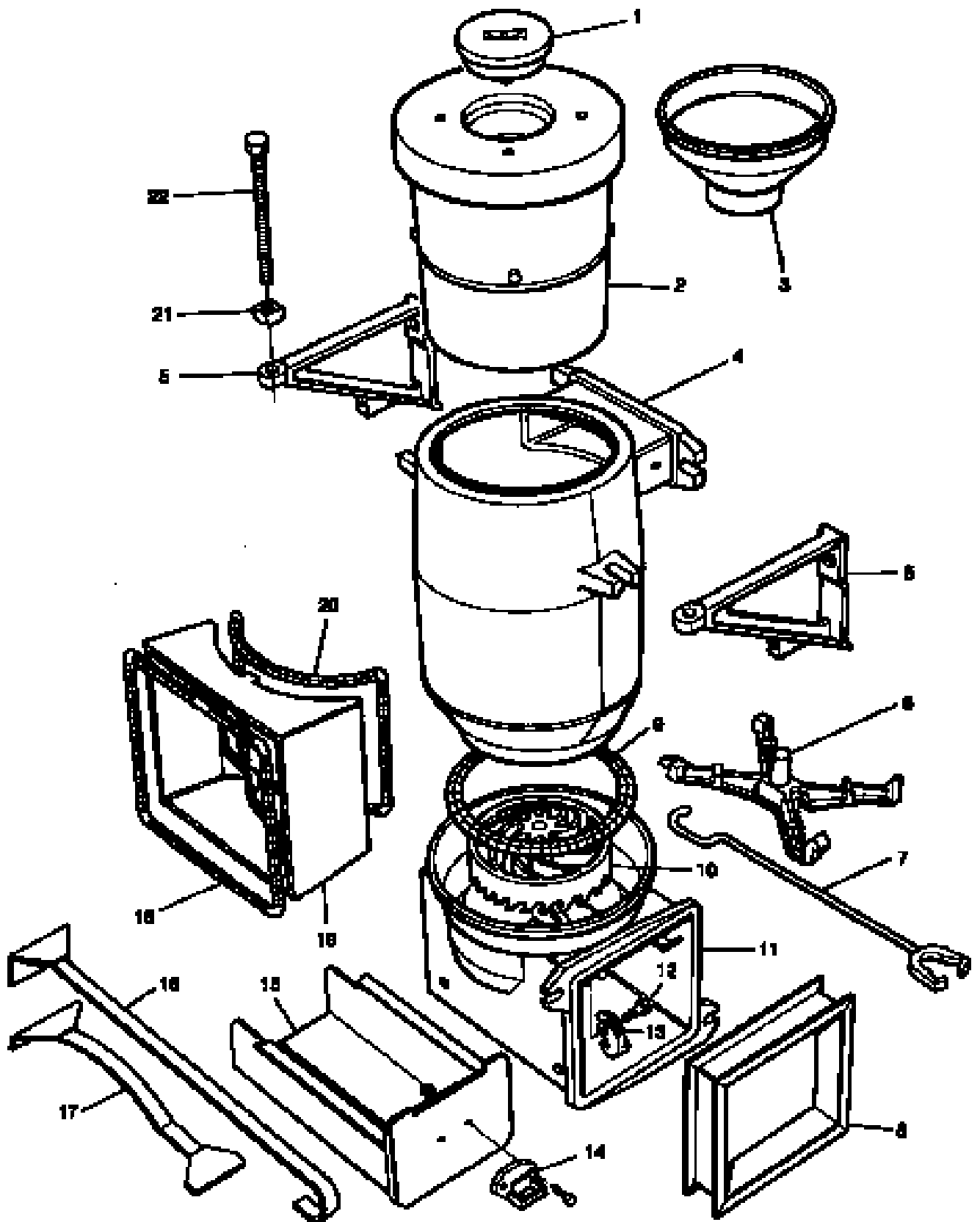


OVENS, ACCESSORIES & SIMMERING PLATE

**AGA SOLID FUEL (E) (POST 1974)  
HOTSPOT, FIRE BARREL & BURNER CHAMBER ASSY**

**JULY 2001**

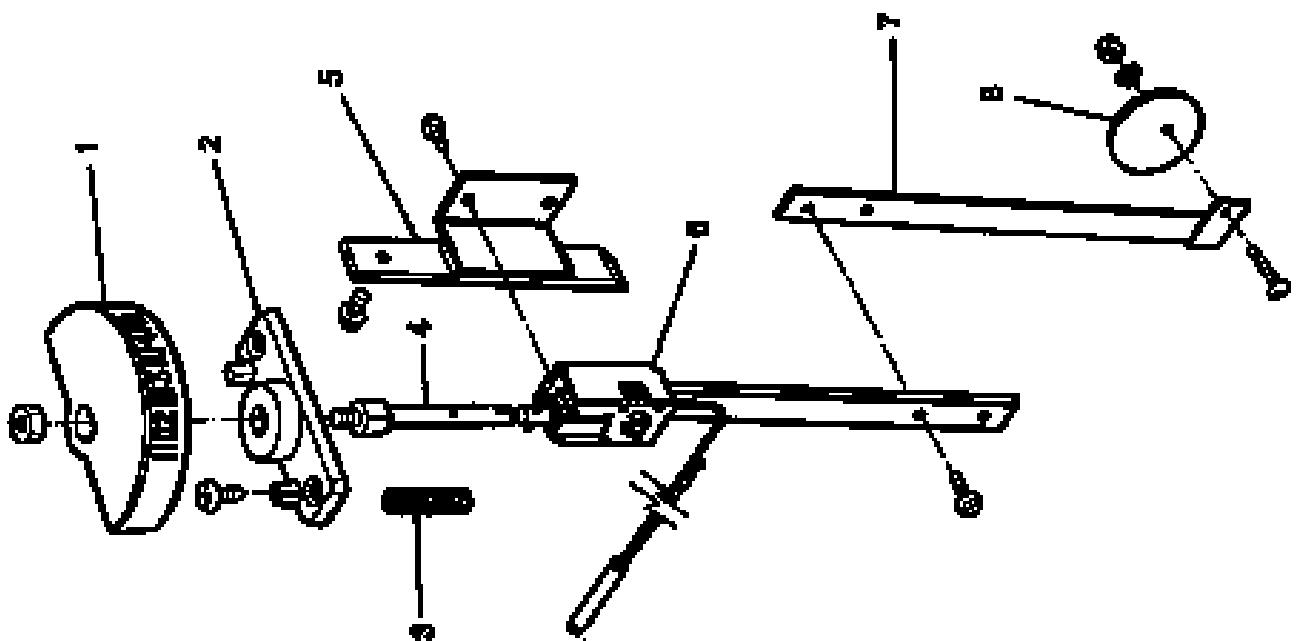
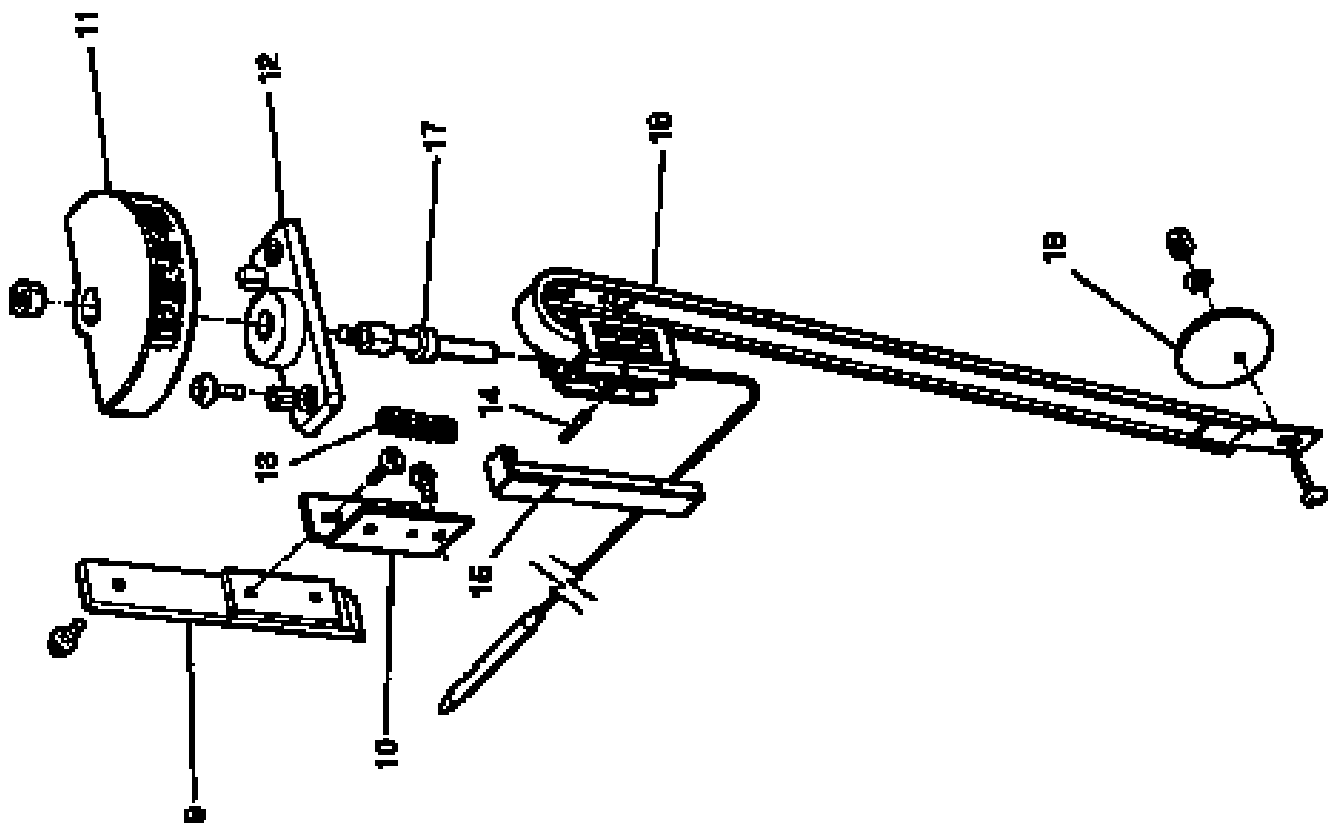
<b>ITEM No.</b>	<b>CAT No.</b>	<b>DESCRIPTION</b>	<b>PRODUCT CODE</b>
1	A1696	PLUG LH	AS5M83286
2	A1680	INNER BARREL - TOP HALF	AS5M0-9125
	A2091	INNER BARREL - BOTTOM HALF	AS4M21941
3	A1622	FUEL FUNNEL	AS4M29400
4	A2377	OUTER BARREL	AS2M22092
5	A1346	OUTER BARREL SUPPORT BRACKET	AG5M211047
6	A1626	GRATE CARRIER	AS4M31150
7	A1844	BARREL ROTATING TOOL	EACS47460
8	A1666	ASHPIT TUNNEL	AS4M48510
9		ROPE	JCRP20402
10	A1628	GRATE 7 BAR	AS4M31230
11	A1613	ASHPIT	AS2M20990
12	A2076	GRATE CATCH SCREW	KMIS52290
13	A1616	GRATE CATCH CARRIER	AS4M25940
14		ASHPAN HANDLE	AS5M83462
15	A1726	ASHPAN	AS9M20850COMP
16		LONG FLUE RAKE - NO LONGER AVAILABLE	AS1M200004
17	A1646	SHORT FLUE RAKE	AS4M40570
18		ROPE 13mm x 1525	JTHR20389
19	A2375	HEATER CASTING	AS5M81630
20		ROPE 20mm x 1067	JCRP20398
21		SEE 22	
22	A1800	BARREL BOLT & NUT SET ( INCLS ITEM 21)	AS9M52960PR



HOTSPOT, FIRE BARREL & BURNER CHAMBER ASSY

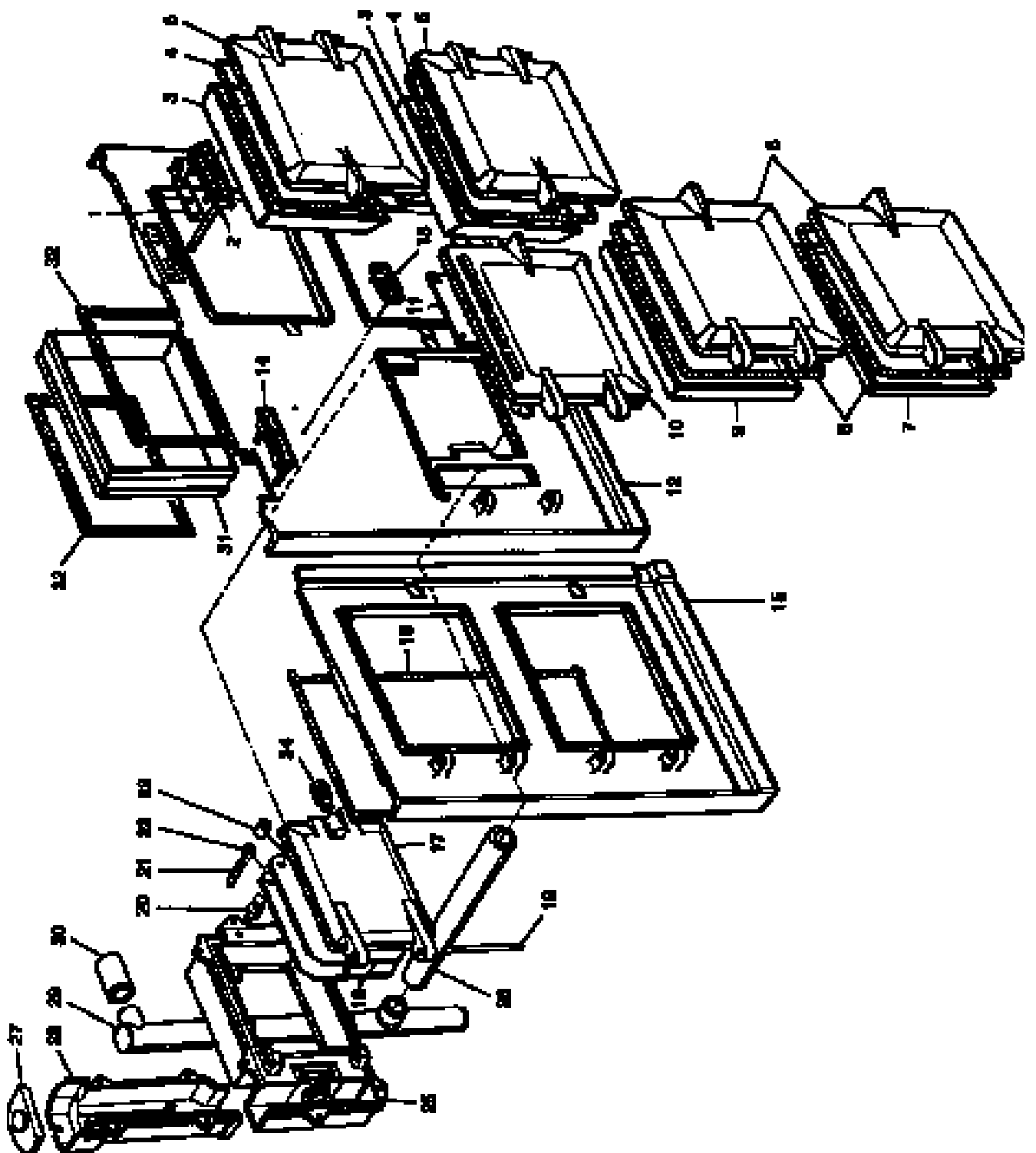


ITEM No.	CAT No.	DESCRIPTION	PRODUCT CODE
		TEDDINGTON THERMOSTAT	
	A1830	TEDDINGTON T/STAT QWXH-CB-9 COMP (INCLS ITEMS 4, 5, 6, 7 & 8)	AS9T46573COMP
1	A1667	THERMOSTAT CONTROL WHEEL	AS4M49360
2	A1699	THERMOSTAT CONTROL BRACKET	AS5M83644
3		SPRING	AS4M43730
4	A1652	THERMOSTAT CONTROL SPINDLE	AS4M43013
5		THERMOSTAT FIXING BRACKET	AS1M200012
6		THERMOSTAT - QWXH-CB-9	AS4T46573
7		THERMOSTAT EXTENSION ARM	AS4M20231
8		THERMOSTAT V/V DISC	AS4M27991
		RATHGEBER THERMOSTAT	
	A1831	RATHGEBER THERMOSTAT COMPLETE	AS9T81628COMP
9		THERMOSTAT ASSY FIXING BRACKET	AS4M23005
10		THERMOSTAT ASSY MOUNTING BRACKET	AS4M23006
11	A1667	T/STAT CONTROL WHEEL	AS4M49360
12	A1699	T/STAT CONTROL BRACKET	AS5M83644
13		SPRING	AS4M43730
14		ROLL PIN	KCTR37846
15		BRACKET THERM OP LEVER	AS4M23003
17		CONTROL SPINDLE	AS4M43401
18		T/STAT RATHGEBER	AS4T46340
19		T/STAT V/V DISC	AS4M27991



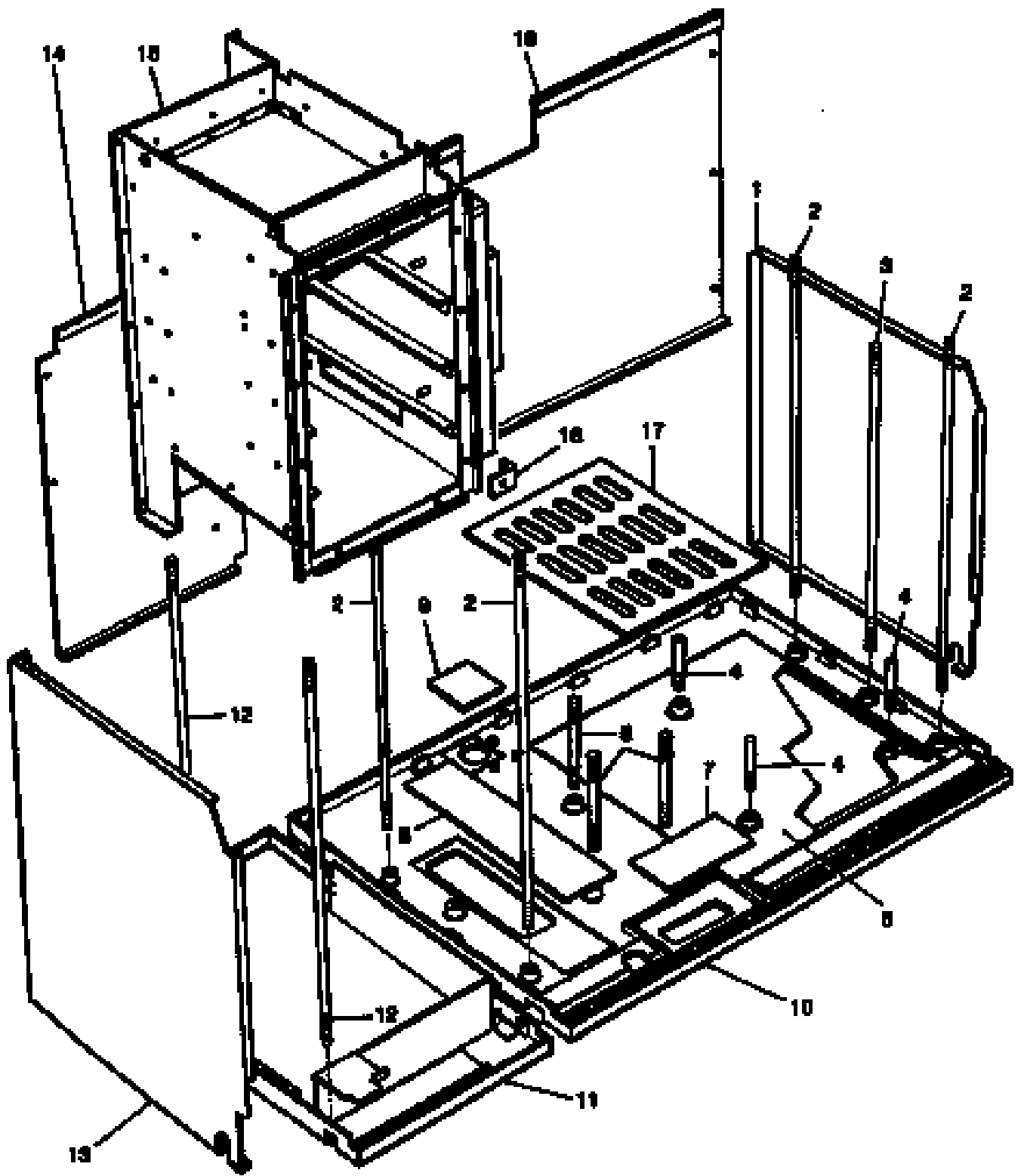
THERMOSTAT ASSEMBLIES

ITEM No.	CAT No.	DESCRIPTION	PRODUCT CODE
1	A2115	THERMOMETER RETAINING PLATE	AO9M220004COMP
2	A2324	THERMOMETER	AS4T46200
3	A1482	COVER INSULATION - ROASTING/BAKING	AO2M90347
4	A1904	OVEN	JTHR20389X47IN
5	A3502	ROPE THERMOSEAL	AO5E220251
6		OVEN DOOR	AS5E1-9285L
7		OVEN DOORS - HOTCUPBOARD	AO2M90348
8	A1904	INSULATING COVER - SHALLOW	JTHR20389X47IN
9		ROPE THERMOSEAL	AO2M90348
10	A1677	INSULATING COVER - SHALLOW	AS5E81626
11		OUTER ASHPIT DOOR	AS4M35930
12		DATA PLAQUE	AS5E200009
13	A2435	FRONT PLATE	AG4M210341
	A2274	AGA BADGE - TRADITIONAL	AG4M210184
14	A1751	AGA BADGE - STANDARD	AS9M41810COMP
15		CONTROL WHEEL SHROUD & SCREWS	AG5E210281
16		FRONT PLATE H/CUPBOARD	JTHR20394
17	A1818	ROPE SEAL	AS9M81774CM
18		INNER ASHPIT DOOR - COMPLETE (INCLS ITEMS 17, 24, 18, 21, 22 & 23)	AS4M21520
19	A2347	INNER ASHPIT DOOR BAFFLE PLATE	AS4M42971
20	A1635	ASHPIT DOOR SPINDLE	AS4M35120
21		INNER ASHPIT DOOR LOCK BOLT	KS4M44550
22	A2330	STUD 1/4 x 1 1/2	AS4M28070
23	A2331	DISTANCE PIECE - SHORT	AS4M28060
24	A1748	DISTANCE PIECE - LONG	AS9M35040COMP
25	A2344	CATCH BALL	AS5M80167
26	A1664	LOWER THERMOSTAT HOUSING	AS4M47990
27	A1700	AIR DUCT INTAKE TUBE	AS5M83645
28	A1690	T/STAT HOUSING COVER PLATE - TOP	AS5M81627
29	A1665	TOP THERMOSTAT HOUSING	AS4M48000
30	A1663	AIR DUCT UPTAKE TUBE	AS4M47980
31	A2327	AIR DUCT HORIZONTAL TUBE	AG1M210308
32	A2860	OVEN INSULATING FRAME PYROTAPE	JTHR210645



FRONT PLATE, OVEN & ASHPIT DOORS

ITEM No.	CAT No.	DESCRIPTION	PRODUCT CODE
1	A2020	SIDE PLATE	AS4V38996
2	A2118	CORNER STAY ROD BSW	AG4M210226
3	A2346	OVEN STAY ROD	AG4M41129
4	A2425	STUD	KG4M44674
5	A2342	STUD 1/2 x 9 LG	KS4M44630
6	A2373	FILLER PIECE	AO2V210194
7		BASE PLATE FILLER PIECE - SMALL	AS2M90080R
8	A2374	RH BASE PLATE FILLER	AO2V210306
9	A3544	FLUE OUTLET BLANKING PLATE	AG2M210568
10	A2659	BASE PLATE	AG5M210560
11	A1345	BASE PLATE - HOTCUPBOARD	AG5M81629
12	A2118	CORNER STAY ROD - BSW	AG4M210226
13	A2020	SIDE PLATE HOTCUPBOARD	AS4V38996
14	A2423	BACK PLATE HOTCUPBOARD	AO2M210193
15		HOTCUPBOARD - SHELL	AS2V200026
16		BRACKET FRONT PLATE SPACING (UP TO M02-109)	AG2M210517
	A4075		AG2V211283
17	A3647	BRACKET STAND-OFF (FROM M02-109)	AO5V2545
18	A1612	PERFORATED DIVDING SHELF	AS2M200052
		BACK PLATE	



BASE, SIDES & HOT CUPBOARD

LPRT 512286

DATE: JULY 2001