

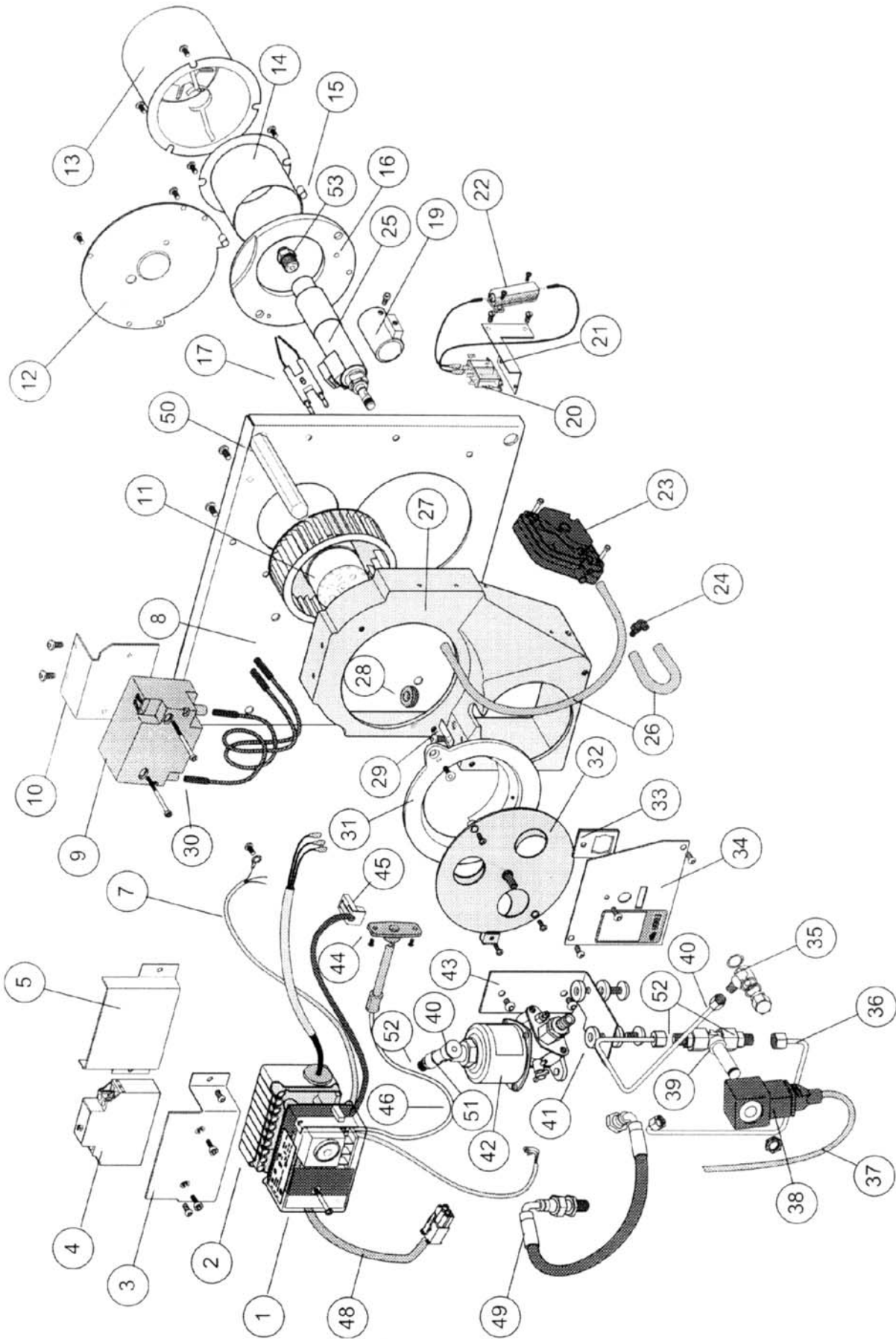
**AGA OC3  
COOKER**

***SPARE PARTS  
MANUAL***

**AGA OC3 COOKER  
BURNER ASSEMBLY**

**NOVEMBER 2007**

<b>ITEM No.</b>	<b>CAT No.</b>	<b>DESCRIPTION</b>	<b>PRODUCT CODE</b>
1	A5027	CONTROL BOX (TF834.3)	AO4M998992
2		CONTROL BASE (S01-S98)	AO4M997528
2A		CABLE ENTRY PLATE (S01-70503)	AO4M997529
3		CONTROL BRACKET (E80-002-003-000-04)	AO4M997551
4	A4803	TIMER (E80-111-001-001-00)	AO4M998995
5		TIMER BRACKET (E80-002-003-000-005)	AO4M997530
7		PRE-HEATER LEAD (D01-030N0041)	AO4M997025
8		CHASSIS PLATE (E80-002-008-000-11)	AO4M997552
9		IGNITION TRANSFORMER (E80-102-042-100-00)	AO4M997553
10		TRANSFORMER BRACKET (E80-002-001-000-01)	AO4M997010
11		MOTOR/FAN UNIT (E80-100-104-025-00)	AO4M998996
13	A4806	BLAST TUBE (E80-004-001-004-00)	AO4M998998
14		AIR GUIDE (E80-008-001-000-00)	AO4M998999
15		SPACER (E80-007-006-141-00)	AO4M997554
16		BLAST TUBE ATTACHMENT (E80-001-003-000-00)	AO4M998997
17		ELECTRODE BLOCK (E80-200-300-000-01)	AO4M997017
19		ELECTRODE HOLDER (E80-002-011-000-01)	AO4M997018
20		RELAY (X09-0042)	AO4M997531
21		RELAY/RESISTOR BRACKET (X10-0115)	AO4M997555
22	A5201	RESISTOR ASSY (E04-0002)	AO4M997556
23	A5102	AIR PRESSURE SWITCH (E80-108-100-001-00)	AO4M997527
24		ELBOW (E80-301-101-302-00)	AO4M999012
25		PRE-HEATER (E80-109-102-112-00)	AO4M997557
26		AIR TUBE (E80-301-801-401-00)	AO4M997532
27		FAN HOUSING (E80-005-002-000-00)	AO4M998985
28		HT LEAD GROMMET (E80-502-100-000-00)	AO4M997558
29		BLANKING PLATE (E80-002-009-000-00)	AO4M997559
30		HT LEADS (E80-610-110-330-00)	AO4M997026
31		AIR INTAKE ASSY (E04-0004)	AO4M997560
32		AIR ADJUSTMENT ASSY (E04-0003)	AO4M997561
33		MANIFOLD BRACKET (E80-002-014-000-02)	AO4M997023
34		NOZZLE - BACKPLATE (E80-006-003-000-03)	AO4M997015
34A		NOZZLE - BACKPLATE GASKET (E90-500-007-002-00)	AO4M997562
35		BANJO (E80-300-104-201-00)	AO4M997563
35A		BANJO CAP NUT (E80-007-005-000-00)	AO4M997019
36		OIL PIPE - PUMP TO VALVE (E04-0007)	AO4M997564
37		COIL LEAD (E80-620-013-215-00)	AO4M997565
38	A5046	SOLENOID COIL (E80-104-901-104-00)	AO4M997452
39	A5047	SOLENOID VALVE (E80-104-121-400-00)	AO4M997453
40		OIL PIPE VALVE TO NOZZLE (E04-0008)	AO4M997566
41		PUMP MOUNTING GROMMET (E80-502-100-000-01)	AO4M997567
42	A5049	SOLENOID PUMP (E80-103-120-104-00)	AO4M997458
43		PUMP BRACKET (E80-002-002-000-06)	AO4M998994
44		PHOTOCELL BRACKET (E80-299-002-000-00)	AO4M997568
45		TRANSFORMER LEAD (E80-620-032-400-00)	AO4M997569
46		PHOTOCELL (S01-MZ770S)	AO4M997533
		PHOTOCELL LEAD (S01-FZ711S-050)	AO4M997534
48		MAINS LEAD (E04-0006)	AO4M997570
49		FLEXIBLE OIL PIPE (E80-312-377-210-00)	AO4M997571
50	A5026	HEXAGONAL FIXING (E80-007-003-000-00)	AO4M997008
51		T-PIECE (E80-300-001-201-00)	AO4M997535
52		NIPPLE (E80-300-202-201-00)	AO4M997536
53	A4970	0.30 x 60 H DANFOSS NOZZLE (D01-030H6102)	AO4M997020

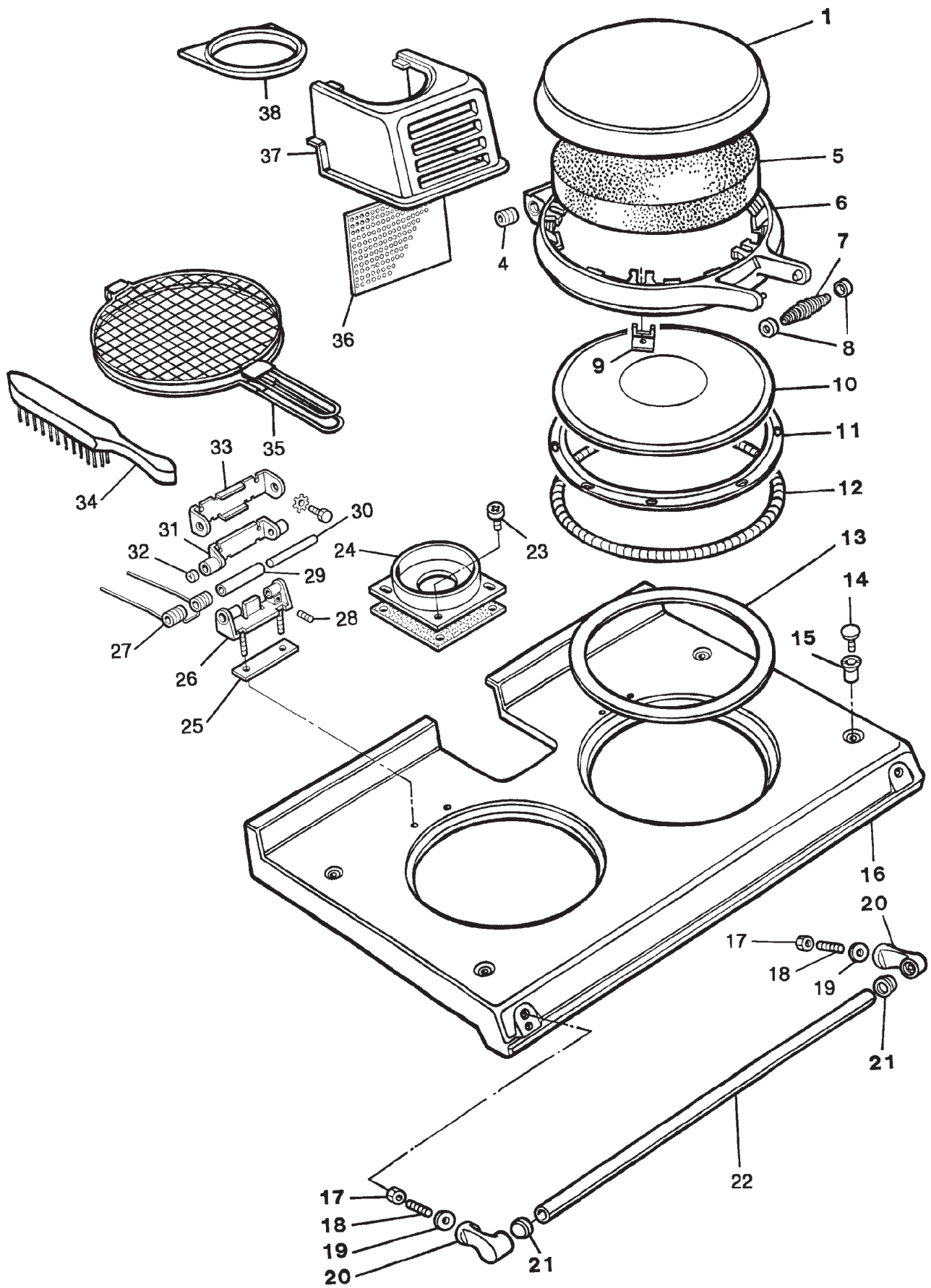


**BURNER ASSEMBLY  
AGA OC3 COOKER**

**AGA OC3 COOKER  
TOP PLATES, INSULATING LIDS**

**FEBRUARY 2009**

ITEM No.	CAT No.	DESCRIPTION	PRODUCT CODE
1	A3614	ST/STEEL INSULATING LID COVER INSULATING LID CI (NOT SHOWN)	AG4M210905 AG5E211528
		ST/STEEL DOME ASSY - COMP	AG1M211766
		CI DOME ASSY - COMP (NOT SHOWN)	AG1M211765
4		M12 x 16 GRUB SCREW	KGRB500520
5	A5074	ROCKWOOL FIBRE	JPAD211934
6		INSULATING LID OUTER RING	AG5E211310
7	R3028	COIL HANDLE	RO4M340522
8	R3029	INSULATING LID HANDLE CUPS	RO4M340521
9	A3636	DOME CLAMPING BRACKET - ST/ST LIDS ONLY	AG4M210904
10	A1632	INSULATING LID LINING - RH	AS4M34760
11	A1647	INNER HOLDING RING	AS4M40980
12	A1863	DOME SEALING ROPE	JMAR20410
13	A1342	INSULATING RING	AG5M210840
14	A2119	CORNER STAY BUTTON 5/16" BSW	AG4M210228
15	A2123	CORNER STAY NUT 5/16" BSW	AG4M210244
16	A2246	TOP PLATE	AG5E210167
17	R2630	NUT M8 x 35 LG	KNUT53061
18		ALLTHREAD M8 x 35 LG	KSTD500010
19		WASHER M8 I/D SHAKEPROOF S/S	KWSR53346
20	A2314	HANDRAIL BRACKET	AG4M210853
21	A2975	VINYL END CAP	AG4M210660
22	A1630	HANDRAIL	AG4M210642
23		SCREW	
24		FLUE PIPE ADAPTOR	AO1V220479
24A		GASKET - FLUE PIPE ADAPTOR	JGSG220487
25	A2589	HINGE BLOCK GASKET	JGSG210477
25A		GASKET - HINGE BLOCK - VE LIDS (FROM M06-170)	JGSG211914
26		HINGE ASSY WITHOUT SPRING	AG4M211742
26A		HINGE ASSY WITH SPRING (VE UP TO M06-170)	AG4M211743
26B		HINGE ASSY - VE LIDS (FROM M06-170)	AG4M211921
27	A3646	SPRING PART OF 26A/B	AG4M210774
28	A5404	SCREW M5 x 16 LG GRUB	KGRB500521
29		SPINDLE SLEEVE (PART OF 26 & 26A)	AG4M997030
30		PART OF ITEM 26 & 26A	
31		PART OF ITEM 26 & 26A	
32	A4658	ADJUSTER (PART OF ITEM 26 & 26A)	AG4M997031
33		PART OF ITEM 26 & 26A	
34	A1841	WIRE BRUSH	EACS23230
35	A1843	TOASTER	EACS47380
36		SHROUD BLANKING PLATE	AO2M220620
37	A2239	FLUE PIPE SHROUD	AO5E220023
38	A1521	SHROUD FILLER RING	AO5E83953



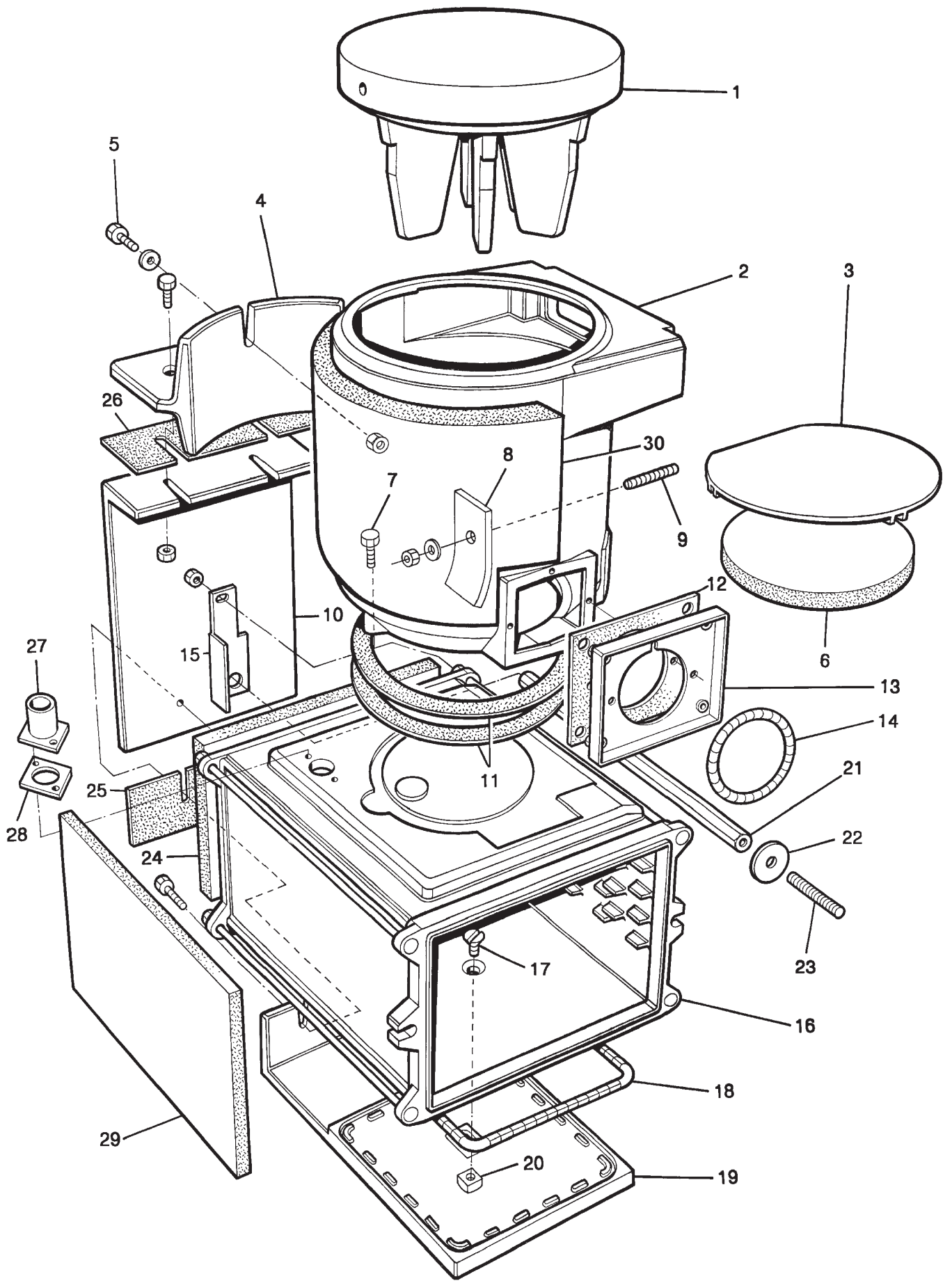
**AGA OC3 COOKER  
TOP PLATES/INSULATING LIDS**

**AGA OC3 COOKERN- UP TO M08-025  
HOT SPOT, FIRE BARREL AND BAKING OVEN**

**JUNE 2008**

<b>ITEM No.</b>	<b>CAT No.</b>	<b>DESCRIPTION</b>	<b>PRODUCT CODE</b>
1	A1522	LH HOT SPOT	AO5M1-386
2	A4222	FIRE BARREL	AG4M210992
3		FIRE BARREL BAFFLE	AO4M220575
4		BARREL HEAT CONDUCTING PLATE	AO5M220628
5	A3769	M10 x 45 CAP HEAD	KMIS500337
6		INSULATING PAD - BARREL BASE	JPAD220588
7		M8 x 60 HX HD SET PIN	KHEX500498
8		BARREL FIXING CLAMP	AG2M210485
9		BARREL FIXING STUD	KSTD210489
10	A4223	REAR HEAT CONDUCTING PLATE	AG5M211100
11		BARREL GASKET	JGSG211378
12		GASKET - SEALING ADAPTOR	JGSG220590
13		BARREL SEALING ADAPTOR	AO2M220586
14		ROPE BARREL SEALING	JCRP220604
15		SECURING BAR - RESTING PIECE	AG2M211379
16		BAKING OVEN ASSY	AE1M230769
17		SCREW M12 x 30	KCSK500460
18		ROPE 9mm x 1165	JTHR220116
19		BOTTOM HEAT CONDUCTING PLATE	AG5M211031
20	A3639	M12 SQ NUT	KNUT500013
21		LOWER OVEN SECURING BAR	AG4M211377
22		WASHER M8 x 22mm	KWSR53410
23		M8 x 118 ALLTHREAD	KSTD210019
24		REAR INSULATION PAD	JPAD211289
25	A4227	HEAT CONDUCTION GASKET - LOWER	JGSG211409
26		HEAT CONDUCTION GASKET - UPPER	JGSG211410
27		OVEN VENT SPIGOT	RG4M314049
28		GASKET - OVEN VENT SPIGOT	RG4M30413
29		INSULATION PAD - BAKING OVEN LH	JPAD220598
30		BARREL INSULATION WRAP	JPAD220592





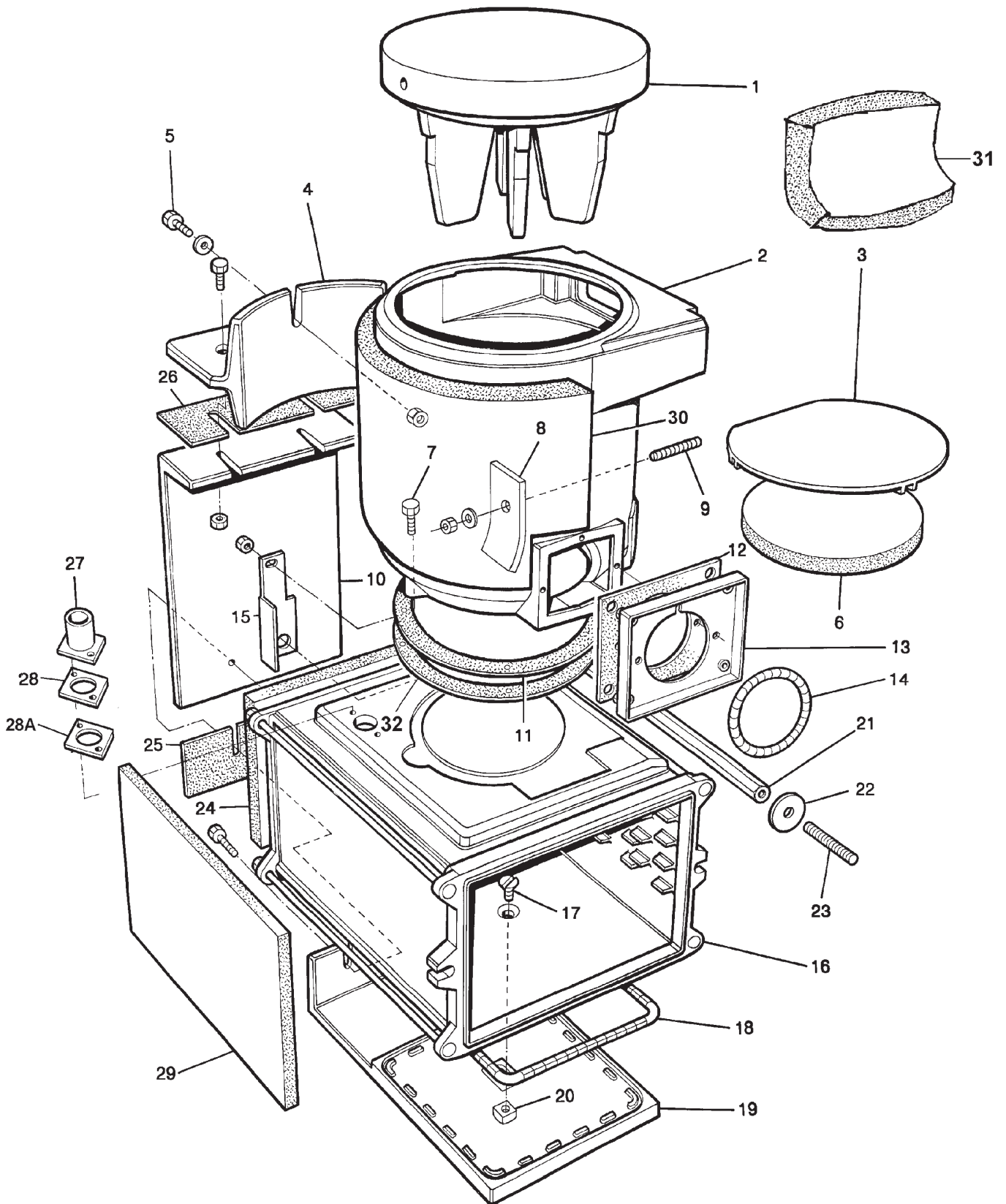
**AGA OC3 COOKER - UP TO M08-025  
HOTSPOT, FIRE BARREL & BAKING OVEN**

**AGA OC3 COOKERN- FROM M08-025  
HOT SPOT, FIRE BARREL AND BAKING OVEN**

**JUNE 2008**

<b>ITEM No.</b>	<b>CAT No.</b>	<b>DESCRIPTION</b>	<b>PRODUCT CODE</b>
1	A1522	LH HOT SPOT	AO5M1-386
2	A4222	FIRE BARREL	AG4M210992
3		FIRE BARREL BAFFLE	AO4M220575
4		BARREL HEAT CONDUCTING PLATE	AO5M220628
5	A3769	M10 x 45 CAP HEAD	KMIS500337
6		INSULATING PAD - BARREL BASE	JPAD220588
7		M8 x 60 HX HD SET PIN	KHEX500498
8		BARREL FIXING CLAMP	AG2M210485
9		BARREL FIXING STUD	KSTD210489
10	A4223	REAR HEAT CONDUCTING PLATE	AG5M211100
11		BARREL GASKET SEALING	JGSG220665
12		GASKET - SEALING ADAPTOR	JGSG220590
13		BARREL SEALING ADAPTOR	AO2M220586
14		ROPE BARREL SEALING	JCRP220604
15		SECURING BAR - RESTING PIECE	AG2M211379
16		BAKING OVEN ASSY	AE1M230769
17		SCREW M12 x 30	KCSK500460
18		ROPE 9mm x 1165	JTHR220116
19		BOTTOM HEAT CONDUCTING PLATE	AG5M211031
20	A3639	M12 SQ NUT	KNUT500013
21		LOWER OVEN SECURING BAR	AG4M211377
22		WASHER M8 x 22mm	KWSR53410
23		M8 x 118 ALLTHREAD	KSTD210019
24		REAR INSULATION PAD	JPAD211289
25	A4227	HEAT CONDUCTION GASKET - LOWER	JGSG211409
26		HEAT CONDUCTION GASKET - UPPER	JGSG211410
27		OVEN VENT SPIGOT	RG4M314049
28		GASKET - OVEN VENT SPIGOT	RG4M30413
28A		OVEN VENT RESTRICTOR PLATE	AO2M220668
29		INSULATION PAD - BAKING OVEN LH	JPAD220598
30		BARREL INSULATION WRAP - OC3	JPAD220667
31		FIRE BARREL PROTECTION PAD	JPAD220669
32		FIRE BARREL BLANKING PLATE	AO5M220663





**AGA OC3 COOKER - FROM M08-025  
HOTSPOT, FIRE BARREL & BAKING OVEN**

**AGA OC3 COOKERN- UP TO M08-025  
HOT SPOT, FIRE BARREL AND BAKING OVEN**

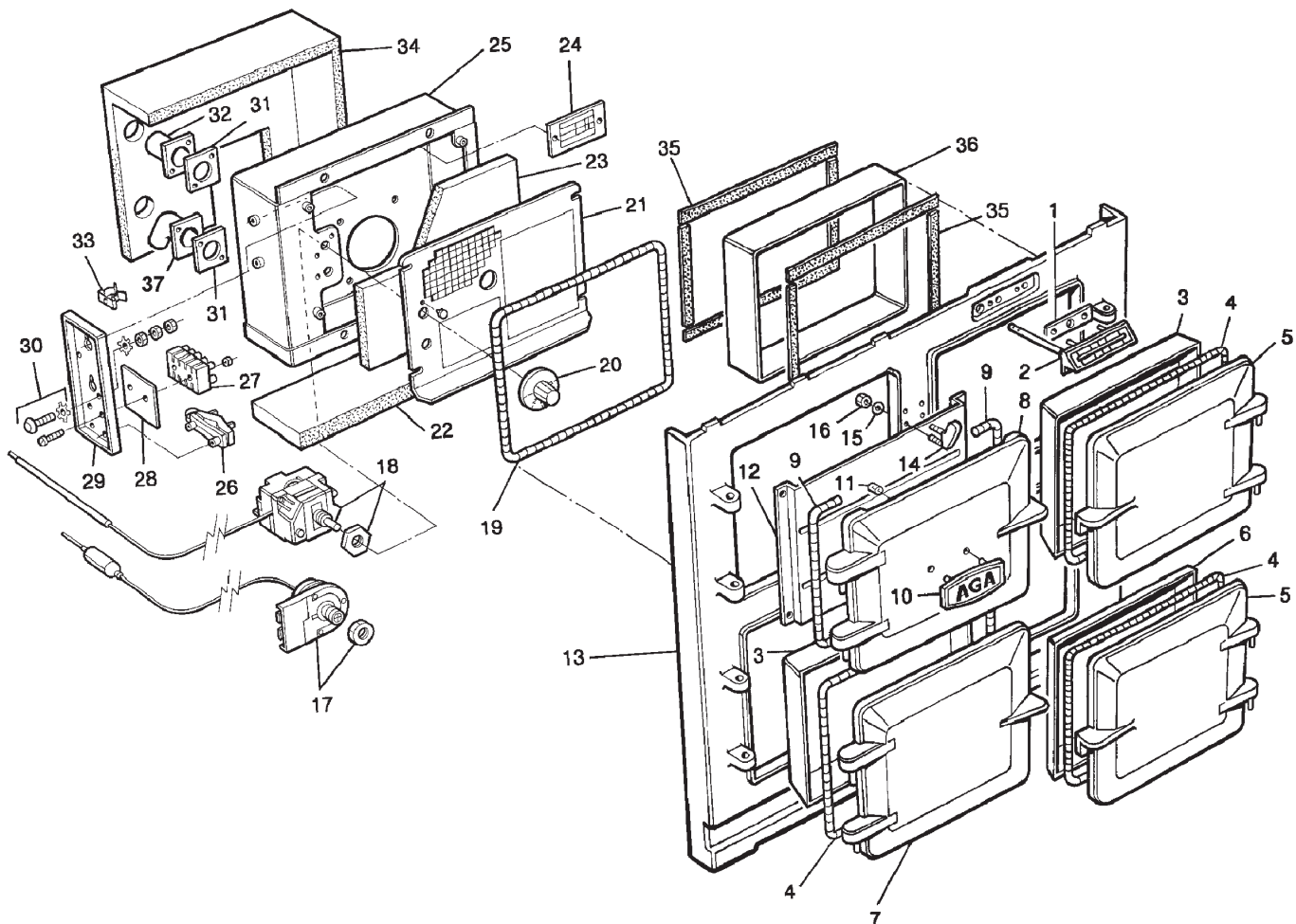
**JUNE 2008**

<b>ITEM No.</b>	<b>CAT No.</b>	<b>DESCRIPTION</b>	<b>PRODUCT CODE</b>
1	A1522	LH HOT SPOT	AO5M1-386
2	A4222	FIRE BARREL	AG4M210992
3		FIRE BARREL BAFFLE	AO4M220575
4		BARREL HEAT CONDUCTING PLATE	AO5M220628
5	A3769	M10 x 45 CAP HEAD	KMIS500337
6		INSULATING PAD - BARREL BASE	JPAD220588
7		M8 x 60 HX HD SET PIN	KHEX500498
8		BARREL FIXING CLAMP	AG2M210485
9		BARREL FIXING STUD	KSTD210489
10	A4223	REAR HEAT CONDUCTING PLATE	AG5M211100
11		BARREL GASKET	JGSG211378
12		GASKET - SEALING ADAPTOR	JGSG220590
13		BARREL SEALING ADAPTOR	AO2M220586
14		ROPE BARREL SEALING	JCRP220604
15		SECURING BAR - RESTING PIECE	AG2M211379
16		BAKING OVEN ASSY	AE1M230769
17		SCREW M12 x 30	KCSK500460
18		ROPE 9mm x 1165	JTHR220116
19		BOTTOM HEAT CONDUCTING PLATE	AG5M211031
20	A3639	M12 SQ NUT	KNUT500013
21		LOWER OVEN SECURING BAR	AG4M211377
22		WASHER M8 x 22mm	KWSR53410
23		M8 x 118 ALLTHREAD	KSTD210019
24		REAR INSULATION PAD	JPAD211289
25	A4227	HEAT CONDUCTION GASKET - LOWER	JGSG211409
26		HEAT CONDUCTION GASKET - UPPER	JGSG211410
27		OVEN VENT SPIGOT	RG4M314049
28		GASKET - OVEN VENT SPIGOT	RG4M30413
29		INSULATION PAD - BAKING OVEN LH	JPAD220598
30		BARREL INSULATION WRAP	JPAD220592

**AGA OC3 COOKER**  
**FRONT PLATE, DOORS AND BURNER HOUSING ASSY**

**MAY 2006**

ITEM No.	CAT No.	DESCRIPTION	PRODUCT CODE
1	A2115	THERMOMETER RETAINING PLATE	AO9M220004COMP
2	A1518	THERMOMETER	AG4T210257
3	A1482	COVER INSULATION	AO2M90347
4	A3935	ROPE T/SEAL - BLACK (TOP DOOR)	JTHR210937X1230
	A3936	ROPE T/SEAL - BLACK (BOTTOM DOOR)	JTHR210937X1205
5	A3502	OVEN DOOR - RH	AO5E220251
6	A1482	COVER INSULATION	AO2M90347
7	A1671	OVEN DOOR - LH	AS5E1-9285L
7A	A4182	OVEN DOOR COMPLETE - LH	AG9M998850
8	A4183	BURNER DOOR COMPLETE	AG9M998851
9		BLACK ROPE TH. No. 4 x 290 LG	JTHR210937X290
10	A2274	NAME BADGE	AG4M210184
10A	A2435	NAME BADGE - TRADITIONAL (NOT SHOWN)	AG4M210341
11	A1567	PUSH-ON FIXING (PAIR)	AO9M38850PR
12		LIGHTING INSTRUCTIONS	AO4M220599
13		FRONT PLATE	AG5E211060
13A	A4194	FRONT PLATE COMPLETE	AG1M211332
14	A3956	DOOR CATCH	AG4M250478P
15		DOOR CATCH GASKET	JGSG211270
16		LOCKING NUT	KNUT500485
17		FLUE DETECTOR - THERMOSTAT	RG4T313437
18	A3722	THERMOSTAT COOKER	AO4T220162
19	A4418	12mm x 3mm PYROTAPE	JTHR211302
20		KNOB	AO4M220090
21		CONTROL FACIA	AO2M220585
22		BAKING OVEN TUNNEL - INSULATION PAD	JPAD220610
23		SOUND INSULATION PAD	JPAD220621
24		DATA PLATE	
25		CONTROL HOUSING BOX ASSY	AO1M220582
26		CABLE CLAMP	
27		TERMINAL BLOCK	AO4M220492
28			
29		TERMINAL BLOCK MOUNTING BRACKET	A02M220587
30		EARTH POST	
31		GASKET - FLUE PIPE	RG4M30413
32		FLUE PIPE SPIGOT	RG4M314049
33		STAT PHIAL CLIP	KCLP220612
34		INSULATION WRAP BURNER BOX	JPAD20541
35	A2860	PYROTAPE	JTHR210645
36	A2327	OVEN INSULATING FRAME ASSY	AG1M210308
37		CABLE TUBE ADAPTOR	AO4M220632

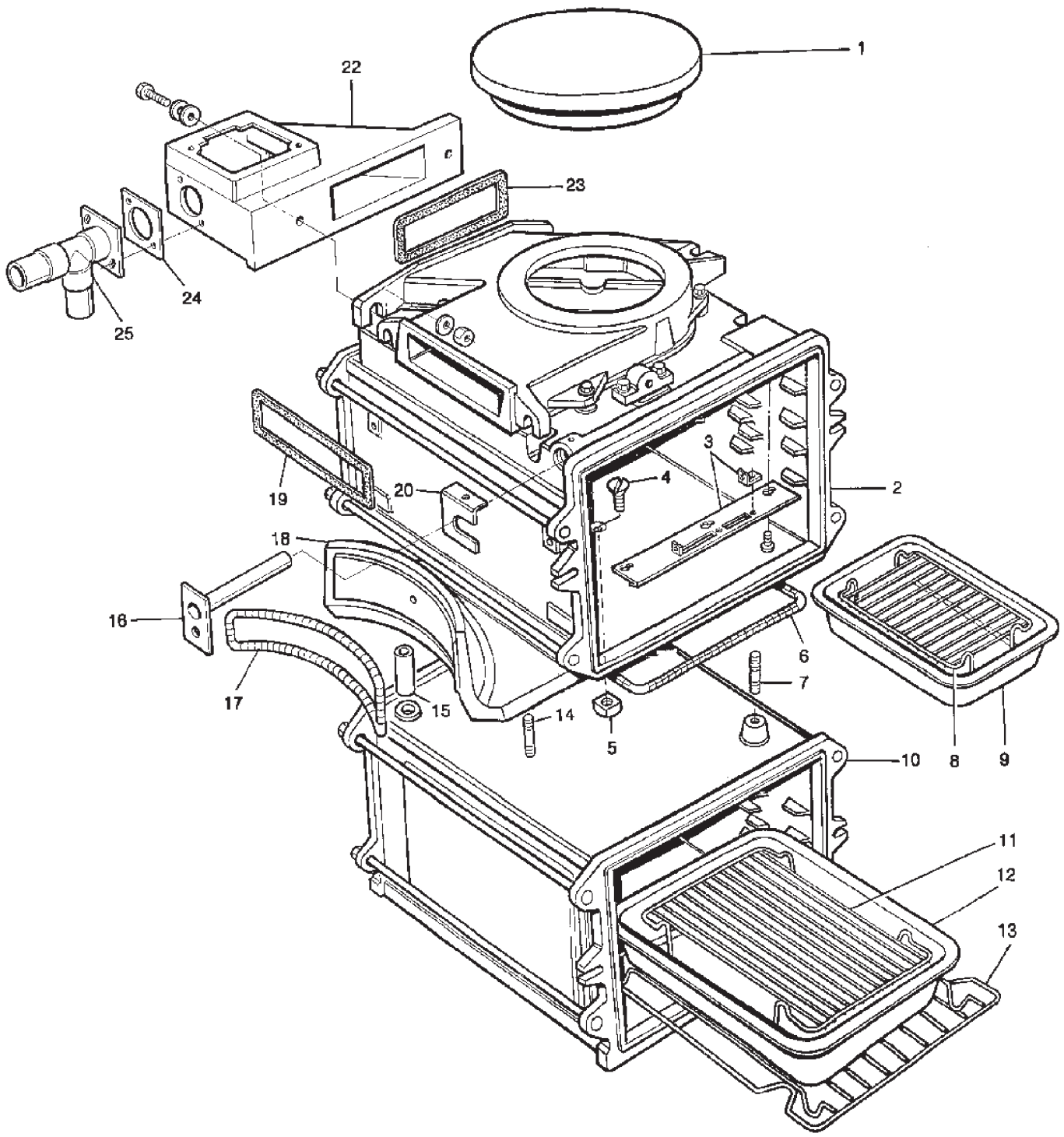


**AGA OC3 COOKER  
FRONT PLATES, DOORS AND BURNER HOUSING ASSY**

**AGA OC3 COOKER  
ROASTING OVEN, SIMMERING OVEN AND FLUE MANIFOLD**

**NOVEMBER 2007**

ITEM No.	CAT No.	DESCRIPTION	PRODUCT CODE
1	A1328	SIMMERING PLATE	AG4M2-7091
2	A3537	ROASTING OVEN ASSY	AG1M-RO-NF
3	A3723	CONTROL PHIAL SUPPORT PLATE	AO1M220145
3A	A3739	PHIAL SECURING ANGLE	AO2M220147
4		SCREW M12 x 30 LG	
5		M12 SQUARE NUT	
6		SEALING ROPE	
7		SCREW M12 x 40mm CUP PNT SKT HEAD	KGRB500338
8	A2312	GRILL RACK - SMALL	AG4M210269
9	A3284	ROASTING TIN - SMALL	EMTY530217
10	A1476	SIMMERING OVEN ASSY	AG1M-SO-NF
11	A2313	GRILL RACK - LARGE	AG4M210268
12	A3285	ROASTING TIN - LARGE	EMTY530218
13	A1282	OVEN GRID SHELF	AG4M41621
14		SCREW M12 x 40mm CUP PNT SKT HEAD	KGRB500338
15	A2929	OVEN VENT PIPE BOTTOM	AG4M210488
16		OVEN PHIAL GUIDE TUBE	AG2M220611
17		ROPE	
18	A2656	BOTTOM HEAT CONDUCTING PLATE	AG5M210486
19		FIRE BARREL GASKET	JGSG210327
20		PHIAL GUIDE TUBE LOCATION BRACKET	AG2M211287
22		FLUE MANIFOLD (ONE PIECE)	AO5M220583
23	A2306	FLUE MANIFOLD GASKET	JGSG210328
24		GASKET FLUE PIPE ADAPTOR	RG4M30413
25		OVEN VENT ADAPTOR	AO4M220589



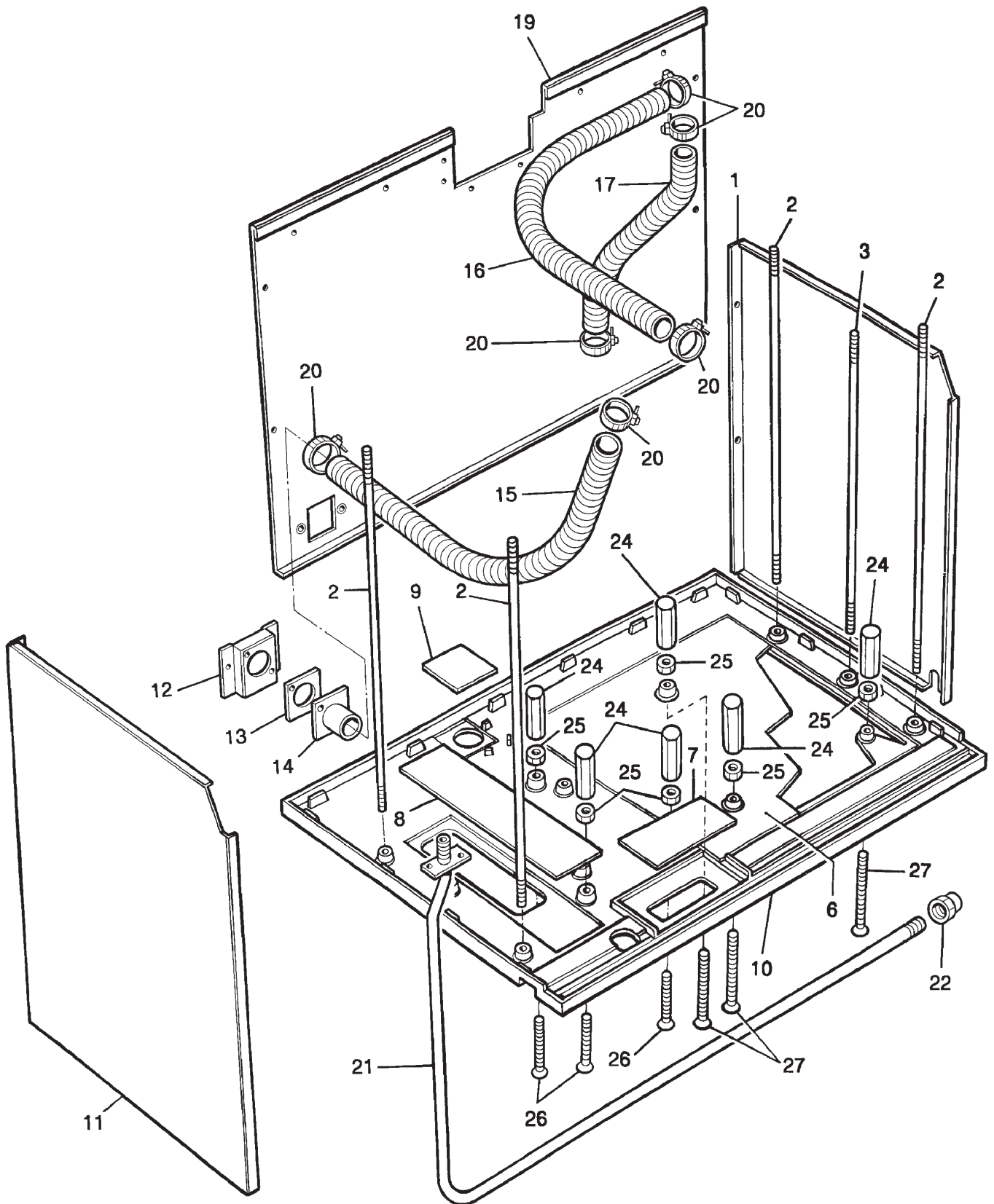
AGA OC3 COOKER  
 ROASTING OVEN, SIMMERING OVEN & FLUE MANIFOLD



**AGA OC3 COOKER  
BASE, SIDE AND BACK PLATE**

**MAY 2006**

<b>ITEM No.</b>	<b>CAT No.</b>	<b>DESCRIPTION</b>	<b>PRODUCT CODE</b>
1		RH SIDE PLATE	AE2V230804
2	A2118	CORNER STAY ROD	AG4M210226
3	A2122	OVEN STAY ROD - TOP	AG4M210229
6	A2373	FILLER PIECE	AO2M210194
7		BASE FILLER PLATE - SMALL	AS2M99080R
8	A2374	RH BASE FILLER PLATE	AO2V210306
9	A3544	FLUE OUTLET BLANKING PLATE	AG2M210568
10	A2659	BASE PLATE	AG5M210560
11		LH SIDE PLATE	AE2V230803
12		BRACKET MAINS CABLE GUIDE TUBE	AE2M230612
13		GASKET OVEN VENT SPIGOT	RG4M30413
14		OVEN VENT SPIGOT	RG4M314049
15		CABLE GUIDE TUBE	RO4M341399
16		FLUE DETECTOR TUBE	AO4M220540
17		OVEN VENT TUBE	AO4M220539
19	A4732	BACK PANEL	AE2M230500
20		TUBE CLIP	KCLP341460
21		OIL FEED PIPE	AO4M220629
24		BURNER CHAMBER SUPPORT STUD ADJUSTER	AO4M220259
25	R5022	M12 HEX FULL NUT	KNUT53135
26		M12 C./SNK SCREW x 50mm	KCSK500497
27		M12 C./SNK SCREW x 100mm	KCSK500492



AGA OC3 COOKER  
 BASE, SIDE AND BACK PLATE