

**AGA MK1**  
**CONVERSION**  
*(OPEN AND BALANCED FLUE,  
NG AND LG BURNERS)*

***SPARE PARTS***  
***MANUAL***

**AGA MK1 CONVERSION  
OPEN & BALANCED FLUE, NG & LPG BURNERS**

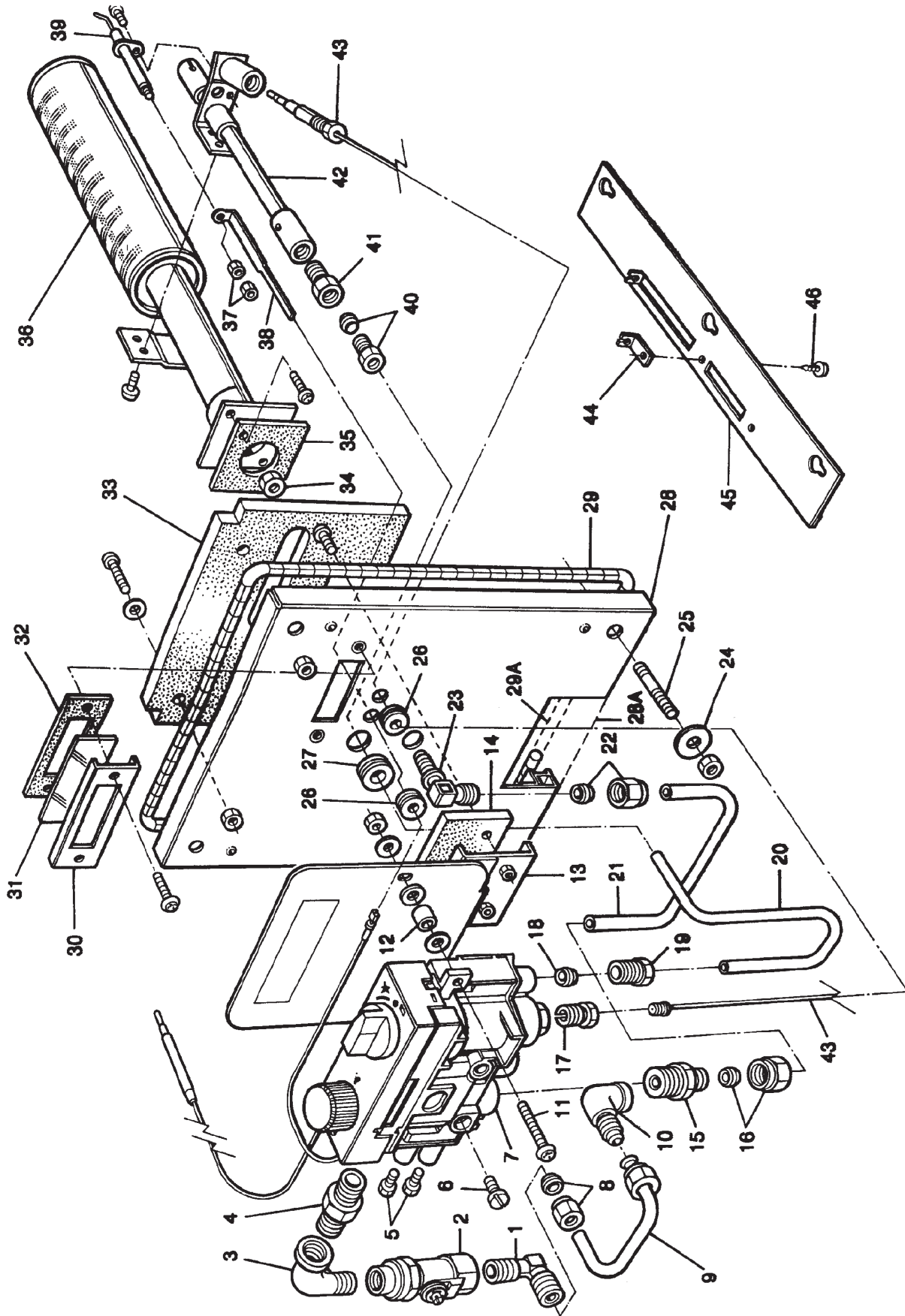
**NOVEMBER 2007**

<b>ITEM No.</b>	<b>CAT No.</b>	<b>DESCRIPTION</b>	<b>PRODUCT CODE</b>
1	A3518	ELBOW ME 108/163 C/W NUT & OLIVE	AG4M210556
2	R2601	GAS COCK	RG4M313792
3	A1222	ELBOW 1/4" BSP M & F M/I	AG4M28621
4	A4602	3/8" - 1/4" BSP ADAPTOR	AG4M211662
5		PRESSURE ADJUSTING SCREWS	
6	A4872	GAS VALVE BYPASS SCREW - SIZE 110 NG	KBYP211668
6A	A4871	GAS VALVE BYPASS SCREW - SIZE 70 LPG	KBYP211730
7	A4479	GAS VALVE	AG4M211621
8		SEE ITEM 1	
9	A4987	GAS INLET PIPE 8mm	AG4M211580
10		1/4" BSP TO 8mm FLARE ELBOW	AG4M211579
11	A3850	SCREW M5 x 35 LG PAN HEAD POZI	KPAN52611
12		SPACER	AG4M211263
13		GAS VALVE MOUNTING ASSEMBLY	AG1M211576
14	A2162	INSULATION PAD	JPAD210200
15		3/8" BSP TO 8mm COMP	RG4M312137
16		NUT & OLIVE - SEE ITEM 15	
17	A2228	M9 SPLIT NUT	KNUT500441
18		SEE ITEM 19	
19	A2199	SHEAR OFF COMPRESSION NUT	KNUT500003
20		PILOT SUPPLY PIPE 6mm	AG4M211552
21		BURNER SUPPLY PIPE 8mm	AG4M211553
22	F3002	NUT 8mm	FG4M420151
22A	F3001	OLIVE	FG4M420149
23	A4216	BURNER INJECTOR (NG) - 82/400	AG4M211236
23A	A4217	BURNER INJECTOR (LPG) - CAT 92 SIZE 170	AG4M211253
24		WASHER 1/4" PLAIN Z/P	
24A		NUT 1/4" FULL Z/P	KSWR53351
25		1/4" BSW x 1 1/2" STUD	KNUT52852
26	A4046	GROMMET RB778A	KS4M44550
27	A5009	GROMMET RB71 - B/FLUE ONLY	AG4M211223
28		BURNER HOUSING DOOR ASSY - B/FLUE	AG4M211663
28A		BURNER HOUSING DOOR ASSY - O/FLUE	AG1M211591
29		BURNER DOOR ROPE SEAL	AG1M211559
30	G1094	SIGHT GLASS BRACKET	
31	A1236	SIGHT GLASS	AG2M210019
32	A2204	SIGHT GLASS GASKET	AG4M30840
33		BURNER DOOR INSULATION PAD	AG4M210011
34	R2199	LOCK NUT 1/8" BSP	JPAD211574
35		INSULATION PAD - BURNER	KNUT35297
36	A4246	GAS BURNER	JPAD211188
37		SEE ITEM 42	AG4M210993
38		ELECTRODE HT CONNECTOR STRIP C/W	
39		SLEEVING	AG4M211195
40		SEE ITEM 42	
41		SEE ITEM 42	
42	A4219	SEE ITEM 42	
42A	A4220	PILOT BURNER ASSEMBLY NG (INCLS 37,39, 40 & 41)	AG4M211251
43	A2369	PILOT BURNER ASSEMBLY LPG	AG4M211252
44	A3739	THERMOCOUPLE	RG4M998603
45	A3723	PHIAL SECURING ANGLE	AO2M220147
		CONTROL PHIAL SUPPORT PLATE	AO1M220145

AGA MK1 CONVERSION  
 OPEN & BALANCED FLUE, NG & LPG BURNERS

NOVEMBER 2007

ITEM No.	CAT No.	DESCRIPTION	PRODUCT CODE
46	A3219	SCREW No. 6 x 6mm  MK1 BURNER B/F NG COMPLETE MK1 BURNER O/F NG COMPLETE MK1 BURNER B/F LPG COMPLETE MK1 BURNER O//F LPG COMPLETE	KPAN52305  AG9M998923 AG9M998924 AG9M998925 AG9M998926



## AGA MK1 CONVERSION

OPEN & BALANCED FLUE, NG & LPG BURNERS