

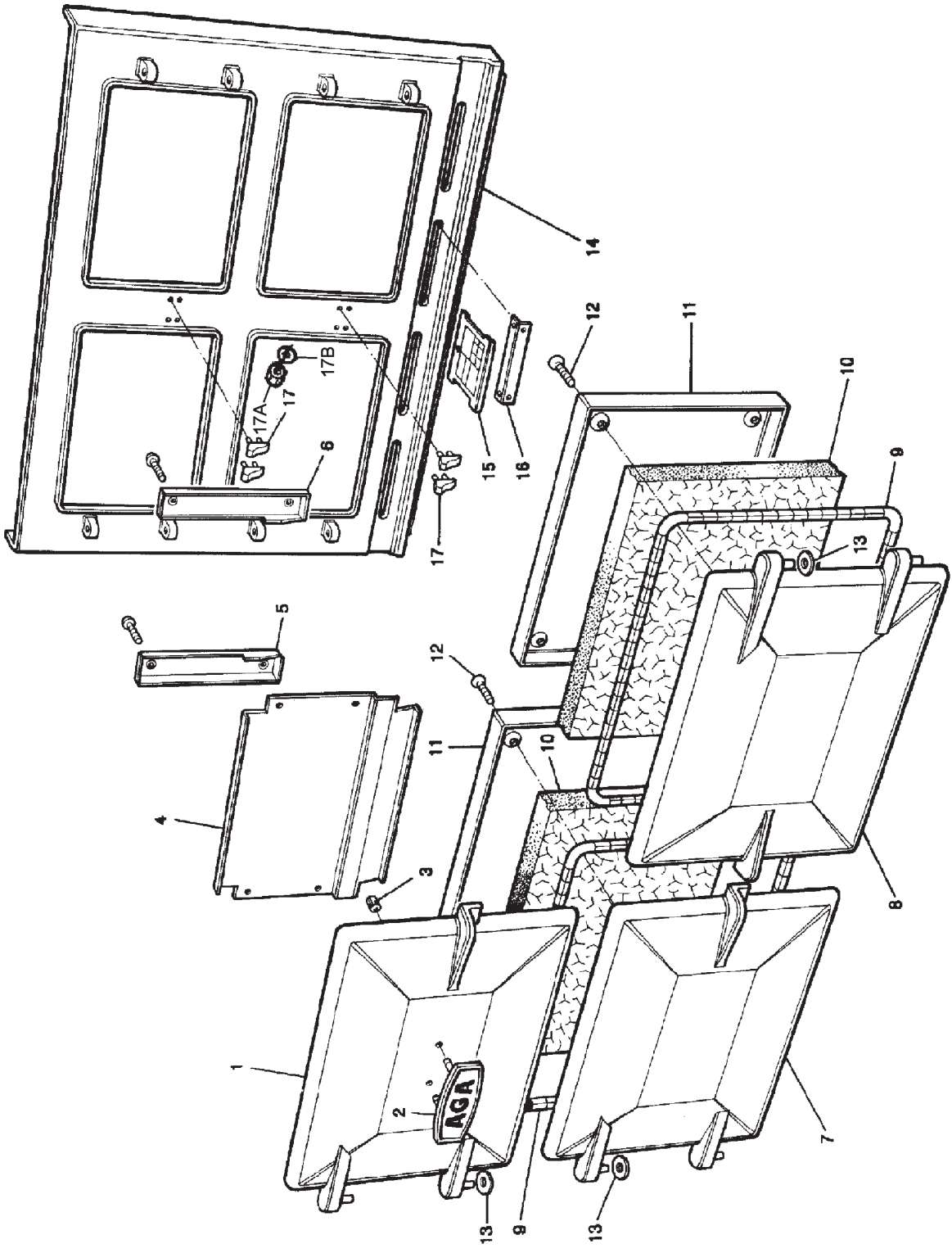
# **AGA SIX-FOUR CERAMIC HOTPLATE**

## ***SPARE PARTS MANUAL***

**AGA SIX-FOUR SERIES - DC6 (CERAMIC HOB)  
FRONT PLATE AND DOORS**

**APRIL 2007**

ITEM No.	CAT No.	DESCRIPTION	PRODUCT CODE
1	A4069	GRILL DOOR COMP	AG9M998742
2	A2274	AGA BADGE	AG4M210184
3	A1567	BADGE CLIP	A09M38850PR
4		GRILL DOOR LINER	AG4M250574
5	A3952	GRILL DOOR LINER - LH	AG4M250573
6	A3953	GRILL DOOR LINER - RH	AG4M250583
7	A4068	FAN OVEN DOOR ASSY COMP	AE9M240204
8	A4070	RH DOOR ASSY COMP	AG9M998743
9	A3954	DOOR SEAL T/SEAL ROPE 4 x 1185 LG	AE1M230400
10		ROCKWOOL	MRWF35400
11	A3022	DOOR LINING PANEL - UP TO M06-179	AG4M250923
11A		LINER - FROM M06-179	AG4M240436
12		SCREW M6 x 20 LG	KCSK500339
13		WASHER	KWSR53500
14	A3955	FRONT PLATE	AG5E250477
14A	A4026	FRONT PLATE C/W DOORS	AG9M998740
15		SLIDING PLATE - DATA PLAQUE	AE2V240148
16		SLIDING PLATE MOUNTING BRACKET - UP TO M04-090	AE2M240147
16A	A3057	SLIDING PLATE C/W BRACKET - FROM M04-090	RG9V301145
17	A3956	DOOR CATCH	AG4M250478
17A		DOOR CATCH GASKET	JGSG211270
17B		M5 LOCKING NUT	KNUT500485

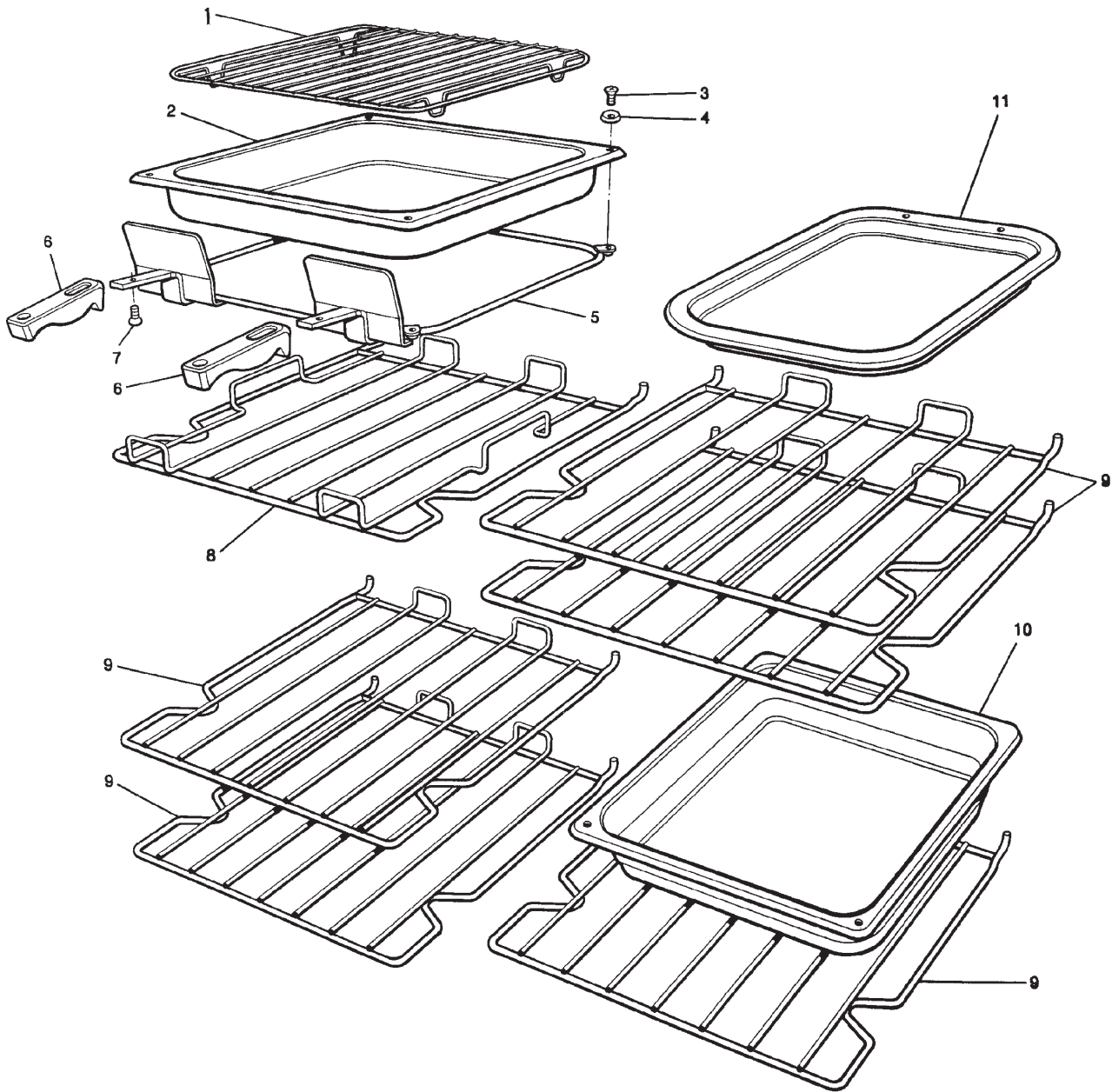


AGA SIX-FOUR SERIES - DC6 (CERAMIC HOB)  
FRONT PLATE AND DOORS

**AGA SIX-FOUR SERIES - DC^ (CERAMIC HOB)  
ACCESSORIES/FURNITURE**

**OCTOBER 2003**

ITEM No.	CAT No.	DESCRIPTION	PRODUCT CODE
1		GRILL PAN ASSY	AG1M250529
1	M0081	GRILL - TRIVET	AE4M260250
2	M0082	GRILL PAN	AE4M260337
3	A4120	SCREW M5 x 10mm	KCSK500408
4		M5 SCREW CAP	KWSR500415
5	A4173	SUPPORT FRAME	AG4M250480
6	M0084	HANDLE	AE4M260114
7	M0117	SCREW M5 x 16 (NYLON)	KCSK500483
8	A3957	GRILL SHELF	AG4M250516
9	A2973	GRID SHELF OVEN	AE4M240065
10	A3958	MEAT/ROASTING TIN	AG4M250432
11	A3959	BAKING TRAY	AG4M250579

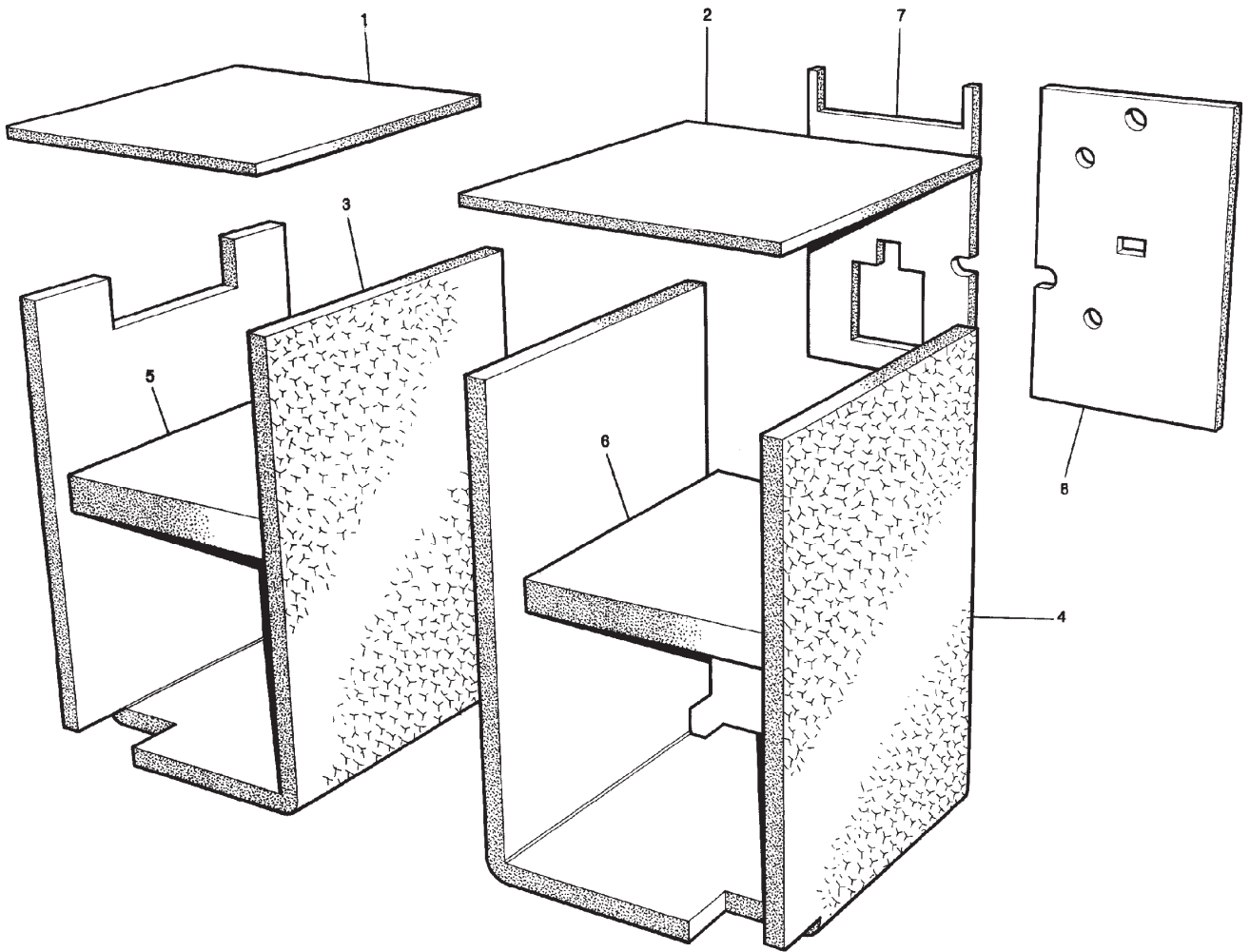


AGA SIX-FOUR SERIES - DC6 (CERAMIC HOB)  
 ACCESSORIES/FURNITURE

**AGA SIX-FOUR SERIES - DC6 (CERAMIC HOB)  
INSULATION**

**OCTOBER 2003**

ITEM No.	CAT No.	DESCRIPTION	PRODUCT CODE
1	A4107	OVEN INSULATION - LH TOP	JPAD250611
2	A4108	OVEN INSULATION - RH TOP	JPAD250496
3		OVEN INSULATION - LH WRAP	JPAD250494
4		OVEN INSULATION - RH WRAP	JPAD250495
5		OVEN INSULATION - INSERT	JPAD250512
6		OVEN INSULATION - INSERT (RH)	JPAD250596
7		OVEN INSULATION - BACK (LH)	JPAD250498
8		OVEN INSULATION - BACK (RH)	JPAD250499

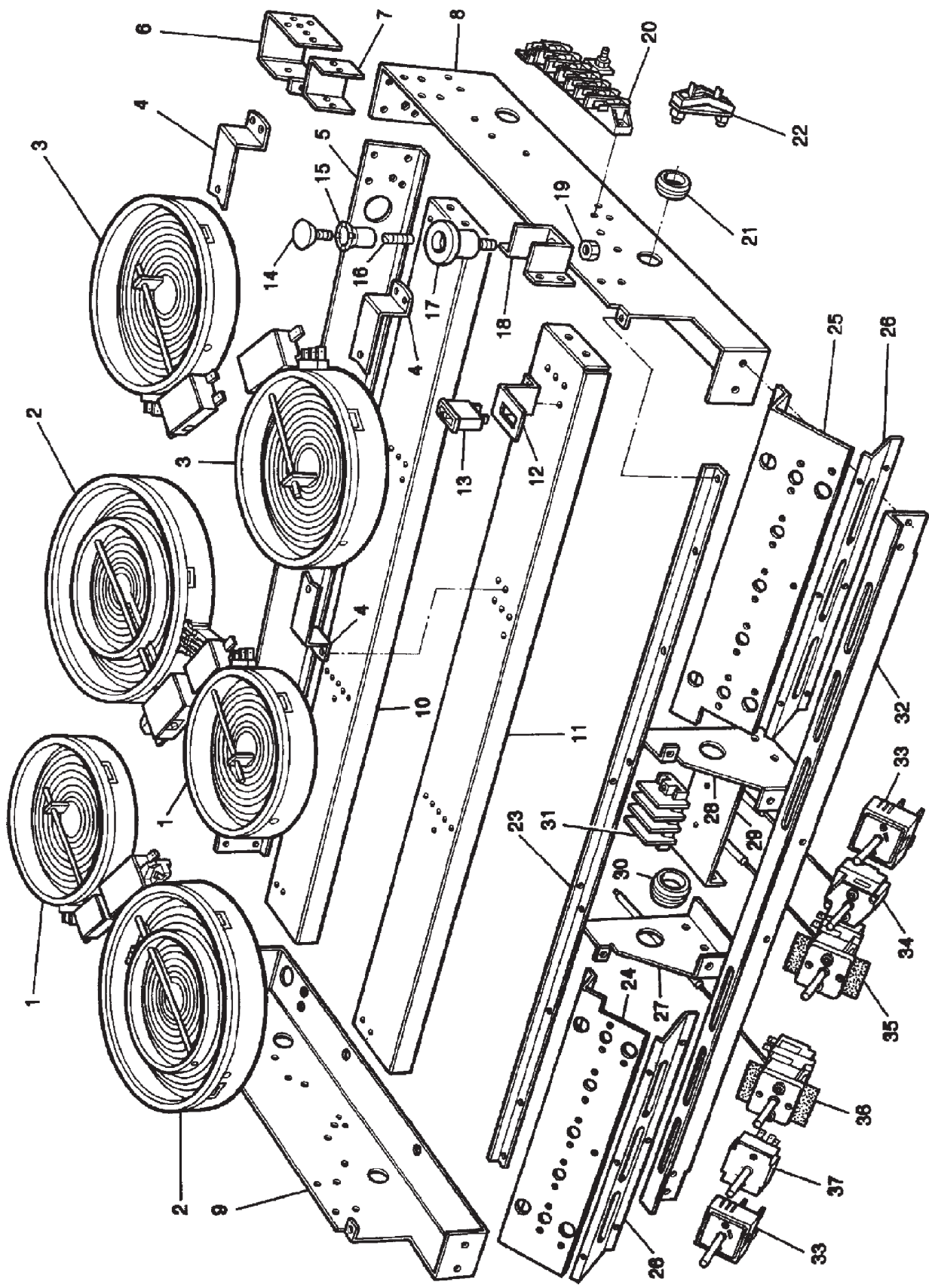


AGA SIX-FOUR SERIES - DC6 (CERAMIC HOB)  
INSULATION

**AGA SIX-FOUR SERIES - DC6 (CERAMIC HOB)  
HOB CHASSIS ASSEMBLY APRIL 2006**

ITEM No.	CAT No.	DESCRIPTION	PRODUCT CODE
		HOB CHASSIS ASSEMBLY (INCLS ITEMS 1 TO 37)	AE4M240318
1		1.2 kW HEATER	AE4M998978
2		.75/2.2 DUAL kW HEATER	AE4M998980
3		1.5 kW HEATER	AE4M998979
4		ELEMENT SUPPORT BRACKET	
5		TOP FRAME REAR ASSY	
6		SPLASHBACK OUTER BRACKET	
7		SPLASHBACK INNER BRACKET	
8		TOP FRAME RH ASSY	
9		TOP FRAME LH ASSY	
10		REAR ELEMENT SUPPORT	
11		FRONT ELEMENT SUPPORT	
12		ELEMENT NEON BRACKET	
13		ELEMENT NEON	
14	A2119	CORNER STAY BUTTON	AG4M210228
15	A2123	CORNER STAY NUT	AG4M210244
16	A4454	JACKING STUD	AG4M250429
17	A4528	SPILLAGE WELL ADJUSTER	AG4M250427
18		FIXING BRACKET OUTER - SPILLAGE WELL	
19		NUT 8mm	
20		TERMINAL BLOCK	
21		GROMMET	
22		CABLE CLAMP	
23		BURNER FRAME FRONT ANGLE	
24		LH CONTROL PANEL - MOUNTING	
25		RH CONTROL PANEL - MOUNTING	
26		CONTROL FIXING BRACKET	
27		FRONT ANGLE SUPPORT - LH	
28		FRONT ANGLE SUPPORT - RH	
29		NEON CONNECTION BLOCK BRACKET	
30		GROMMET	
31		TERMINAL BLOCK	
32		FACIA SUPPORT BRACKET	
33		REGULATOR - SINGLE CIRCUIT	AE4M998976
33A		REGULATOR - DUAL CIRCUIT	AE4M998977
34	A3961	T/STAT - WARMING OVEN (UP TO M05-180)	AG4T250585
34A		T/STAT - WARMING OVEN (FROM M05-180)	AG4T251102
35	A3962	T/STAT - UPPER OVEN (UP TO M05-180)	AG4T250584
35A		T/STAT - UPPER OVEN (FROM M05-180)	AG4T251103
36	A3960	T/STAT - FANNED OVEN (UP TO M05-180)	AG4T250582
36A		T/STAT - FAN OVEN (FROM M05-180)	AG4T251101
37		T/STAT - GRILL	



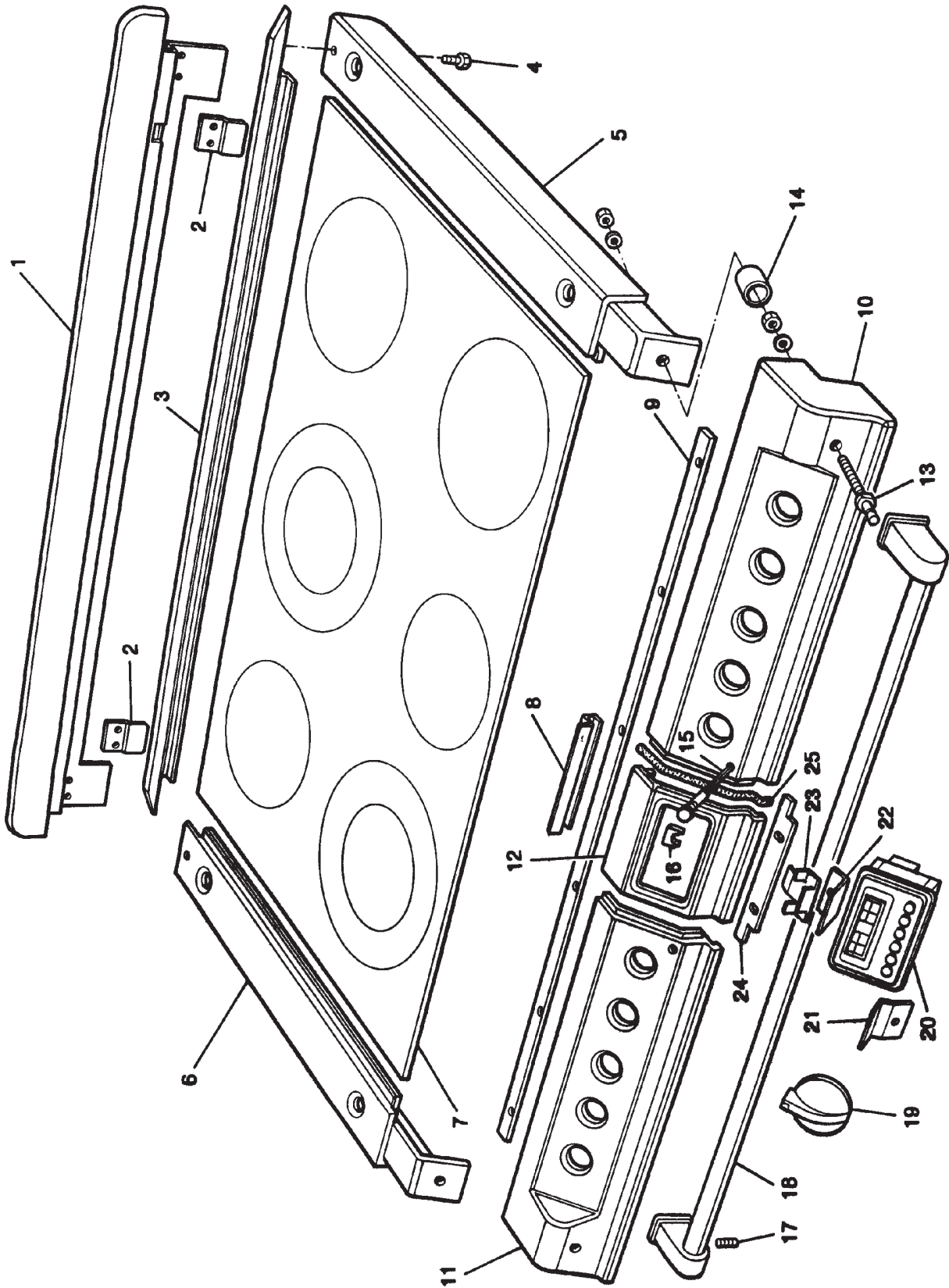


AGA SIX-FOUR SERIES - DC6 (CERAMIC HOB)  
 HOB CHASSIS ASSEMBLY

**AGA SIX-FOUR SERIES (CERAMIC HOB)  
SPLASHBACK, CERAMIC HOTPLATE, FACIA & HOB FRAME**

**SEPTEMBER 2006**

ITEM No.	CAT No.	DESCRIPTION	PRODUCT CODE
1	A3978	SPLASHBACK ASSY	AG4M250438
2	A4382	LOCATION TONGUE - SPLASHBACK	AG2M250525
3		REAR BAR - EXTRUSION	AE4M240289
4		SCREW M5 x 16	KHEX50915
5	A4874	RH SIDE HOB	AE5E240293
6	A4873	LH SIDE HOB	AE5E240290
7	A4446	CERAMIC GLASS	AE4M240296
8		SEAL BRACKET	AE2V240341
9		FACIA BAR	AE4M240323
10	A4509	RIGHT SIDE FACIA	AE5V240298
11	A4508	LEFT SIDE FACIA	AE5V240297
12	A4368	CENTRE FACIA	AE5E240304
13		HANDRAIL BRACKET FASTENER	AE4M240284
14		HANDRAIL TUBE SPACER	
15		NEON AND CLIP	AE4M260211
16		INCLUDED WITH ITEM 15	
17		GRUB SCREW	
18	A3940	HANDRAIL ASSY (INCLS ITEMS 13 & 17)	AG4M250376
19		KNOBS	AG4M250365
20		TIMER (DIEHL 13849-011)	AE4M260148
21		BRACKET BOTTOM	AE2M240340
22		TIMER BRACKET TOP	AE2M240339
23		TIMER CASTING BRACKET	AE2M240338
24		TIMER CASTING BAR	AE2V240342
25		RUBBER SEAL	JGSG240351

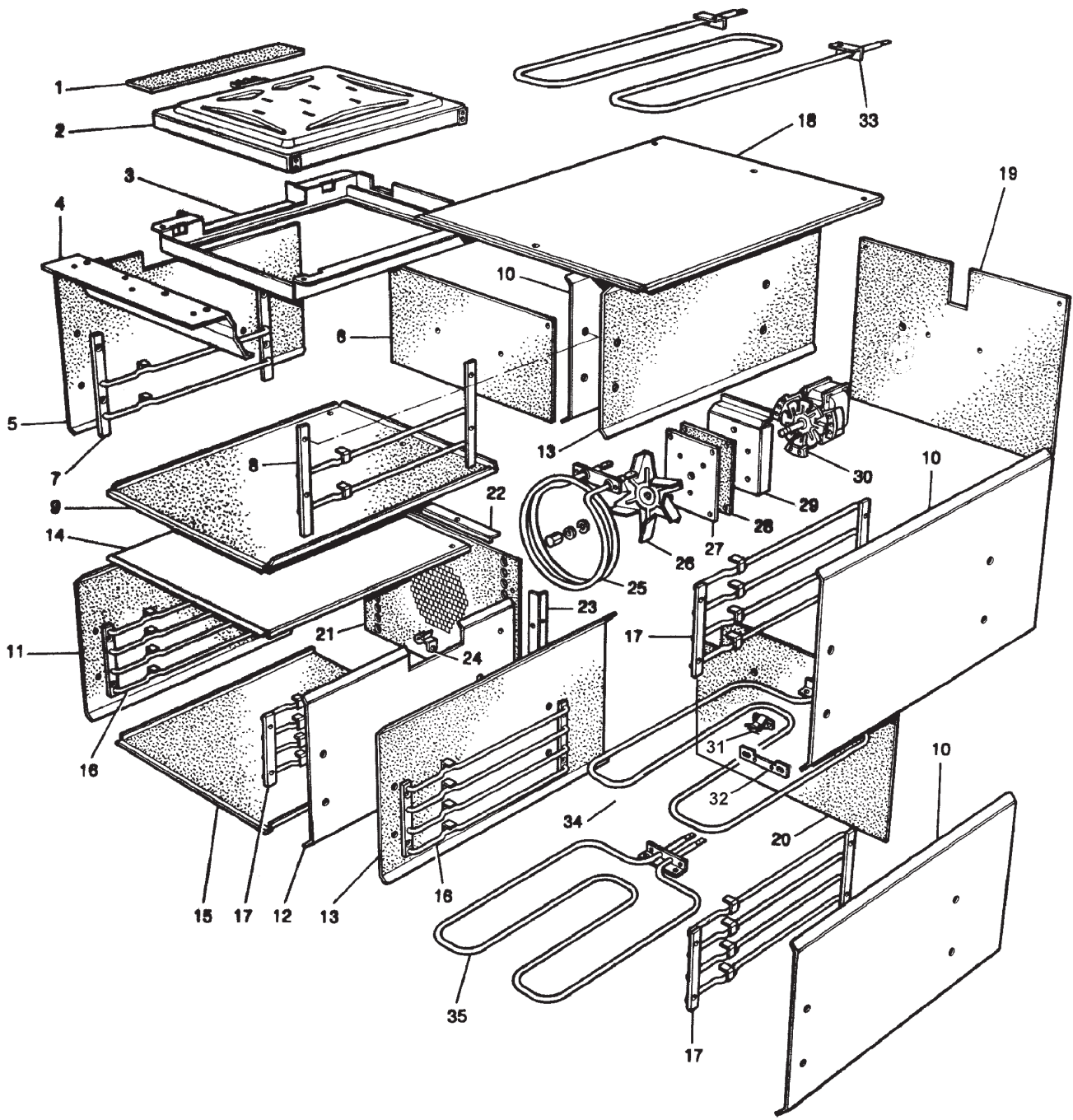


AGA SIX-FOUR SERIES - DC6 (CERAMIC HOB)  
 SPLASHBACK, CERAMIC HOTPLATE, FACIAS & HOB FRAME

**AGA SIX-FOUR SERIES - DC6 (CERAMIC HOB)  
TOP, BOTTOM, FAN AND GRILL ASSEMBLIES**

**MARCH 2009**

<b>ITEM No.</b>	<b>CAT No.</b>	<b>DESCRIPTION</b>	<b>PRODUCT CODE</b>
1		GRILL SIDE DUCT INSERT	JPAD250493
2	M0033	GRILL ASSEMBLY -ELECTRIC (UP TO M09-046)	AE4M260103
2A		GRILL ASSY RETRO-FIT KIT (PRE M09-046)	AE9M997830
3		SUPPORT ASSEMBLY - GRILL ELEMENT	AG1M250340
4		GRILL HEAT DEFLECTOR	AG4M250385
5	A3995	GRILL LINER - LH	AG4M250451
6	A3996	GRILL BACK LINER	AG4M250449
7	A3997	GRILL SUPPORT RAIL - LH	AG4M250514
8	A3998	GRILL SUPPORT RAIL -RH	AG4M250515
9	A3999	BOTTOM OVEN LINER	AG4M250600
9A	A4176	TOP OVEN BOTTOM LINERS	AG4M250812
10	A4000	OVEN LINER - RH	AG4M250452
11	A4001	FAN OVEN LINER - LH	AG4M250453
12	A4002	FAN OVEN LINER - RH	AG4M250454
13	A4003	OVEN LINER - LH	AG4M250456
14	A4004	FAN OVEN TOP LINER	AG4M250455SCE
15	A4005	FAN OVEN BOTTOM LINER	AG4M250455BVE
16	A4006	OVEN RAILS - LH	AG4M250527
17	A4007	OVEN RAILS -RH	AG4M250528
18	A4008	OVEN TOP LINER	AG4M250308
19	A4009	TOP OVEN BACK LINER	AG4M250458
20	A4010	BOTTOM OVEN REAR LINER	AG4M250466
21	A4011	FAN OVEN BAFFLE PLATE	AE4M240178
22	A4012	FIXING BRACKET	AG2M250598
23		FIXING BRACKET	AG2M250599
24	A3087	PHIAL CLIP	AE4M240058
25	A4264	OVEN ELEMENT FAN	AG4M250397
26		IMPELLOR (UPTO M07-142)	AE4M240156
26A		IMPELLOR 120MM (FROM M07-142)	AG4M251303
27		PLATE - FAN	AE4M240017
28		GASKET	JGSG240142
29	A3094	FAN SHIELD	AE2M240119
30	A3095	FAN & IMPELLOR ASSY (INCLS 26) (UP TO M07-142)	AE4M240093
30A		FAN OVEN (FROM M07-142)	AE4M260908
30B		CIRCULATION FAN ASSAY (PRE M07-142)	AE9M997604
31	A4287	PHIAL CLIP	AE4M260292
32		PHIAL CLIP STRAP	AE2M260335
33	A4013	TOP OVEN TOP ELEMENT	AG4M250398
34	A4014	TOP OVEN BASE ELEMENT (UP TO M06-193)	AG4M250508
34A	A5050	TOP OVEN BASE ELEMENT (FROM M06-193)	AG4M251282
35	A4015	WARMING OVEN ELEMENT	AG4M250390



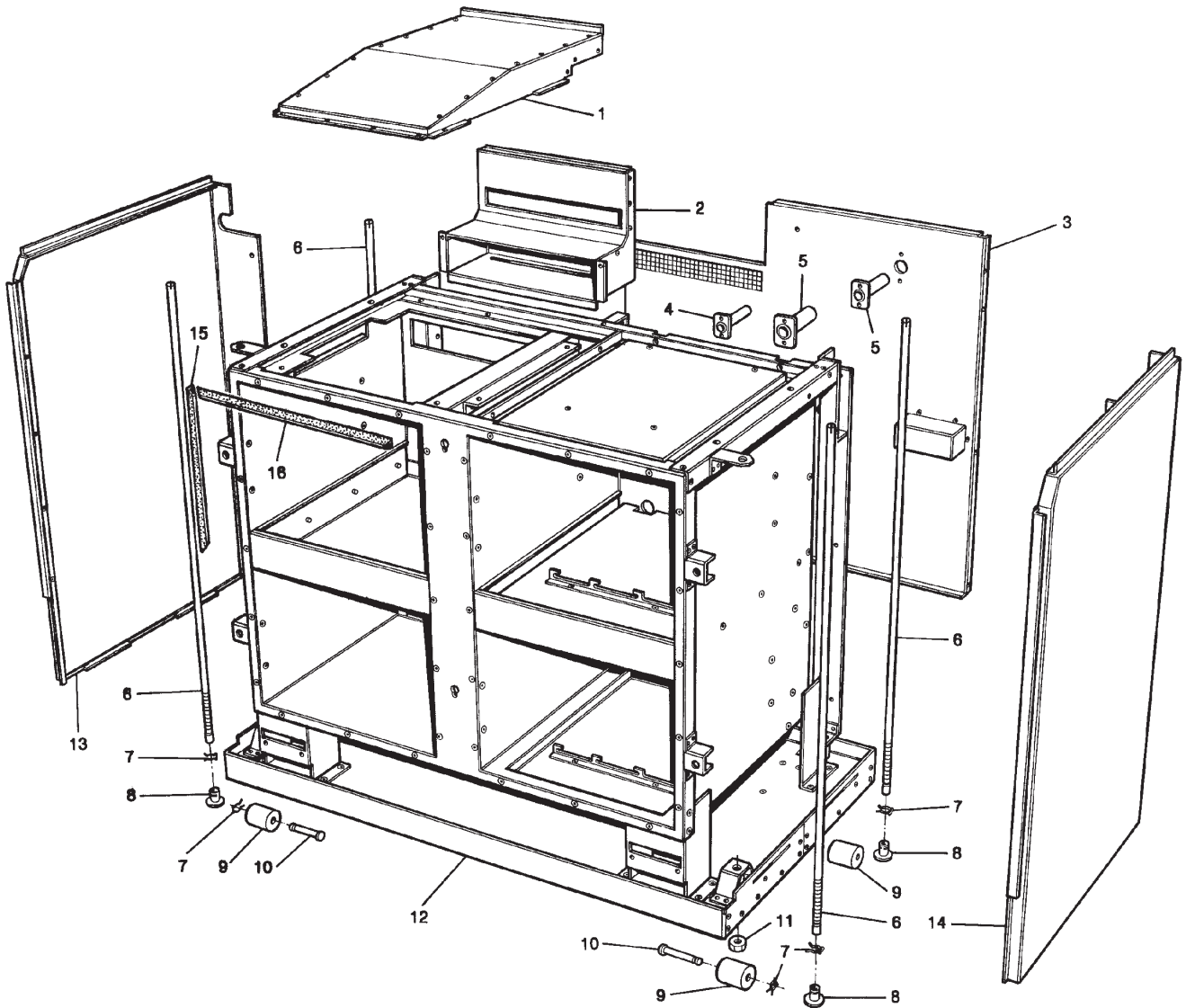
AGA SIX-FOUR SERIES - DC6 (CERAMIC HOB)  
 TOP, BOTTOM, FAN AND GRILL ASSEMBLIES

**AGA SIX-FOUR SERIES - DC6 (CERAMIC HOB)**

**CHASSIS FRAME ASSEMBLY**

**SEPTEMBER 2004**

ITEM No.	CAT No.	DESCRIPTION	PRODUCT CODE
1		GRILL TOP DUCT ASSY	AG1M250348
2		REAR GRILL HEAT DUCT ASSY	AG1M250358
3		BACK PANEL	AG2M250479
4	A3100	VENT PIPE	AE4M240090
5		VENT PIPE	AG4M250534
6		ADJUSTING RODS	AG4M250485
7	A4430	CIRCLIP ROLLER	KCLP250580
8	A4429	FEET	AG4M250484
9		ROLLER	AG4M250471
10		ROLLER WHEEL SPINDLE	AG4M250472
11		NUT M16	KNUT500417
12		BASE PLATE ASSY	AG1M250329
13	A4016	LH SIDE PLATE	AG2V250482
14	A4017	RH SIDE PLATE	AG2V250697
15	A4414	FRONT PLATE SEAL - VERTICAL	AG4M250562
16	A4415	FRONT PLATE SEAL - HORIZONTAL	AG4M250561



AGA SIX-FOUR SERIES - DC6 (CERAMIC HOB)  
CHASSIS FRAME ASSEMBLY