

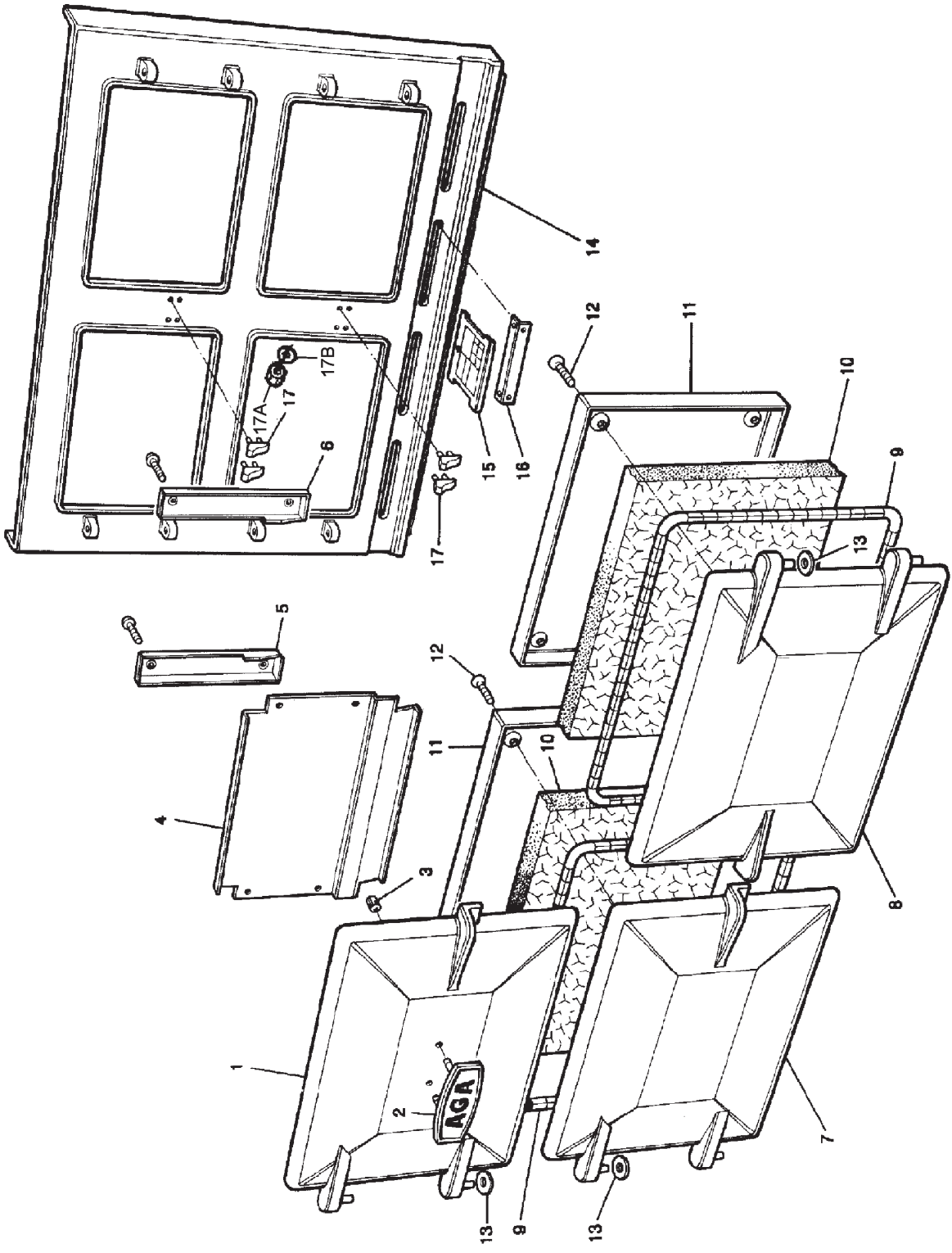
**AGA SIX-FOUR
SERIES - DC6**

***SPARE PARTS
MANUAL***

**AGA SIX-FOUR SERIES - DC6
FRONT PLATE AND DOORS**

SEPTEMBER 2004

ITEM No.	CAT No.	DESCRIPTION	PRODUCT CODE
1	A4069	GRILL DOOR COMP	AG9M998742
2	A2274	AGA BADGE	AG4M210184
3	A1567	BADGE CLIP	A09M38850PR
4	A4365	GRILL DOOR LINER	AG4M250574
5	A3952	GRILL DOOR LINER - LH	AG4M250573
6	A3953	GRILL DOOR LINER - RH	AG4M250583
7	A4068	FAN OVEN DOOR ASSY COMP	AE9M240204
8	A4070	RH DOOR ASSY COMP	AG9M998743
9	A3954	DOOR SEAL T/SEAL ROPE 4 x 1185 LG	AE1M230400
10		ROCKWOOL	MRWF35400
11	A3022	DOOR LINING PANEL	AG4M250923
12		SCREW M6 x 20 LG	KCSK500359
13		WASHER	KWSR53500
14	A3955	FRONT PLATE	AG5E250477
14A	A4026	FRONT PLATE C/W DOORS	AG9M998740
15		SLIDING PLATE - DATA PLAQUE	AE2V240148
16		SLIDING PLATE MOUNTING BRACKET - UP TO M04-090	AE2V240147
16A	A3057	SLIDING PLATE C/W BRACKET - FROM M04-090	RG9V301145
17	A3956	DOOR CATCH	AG4M250478
17A		DOOR CATCH GASKET	JGSG211270
17B		M5 LOCKING NUT	KNUT500485

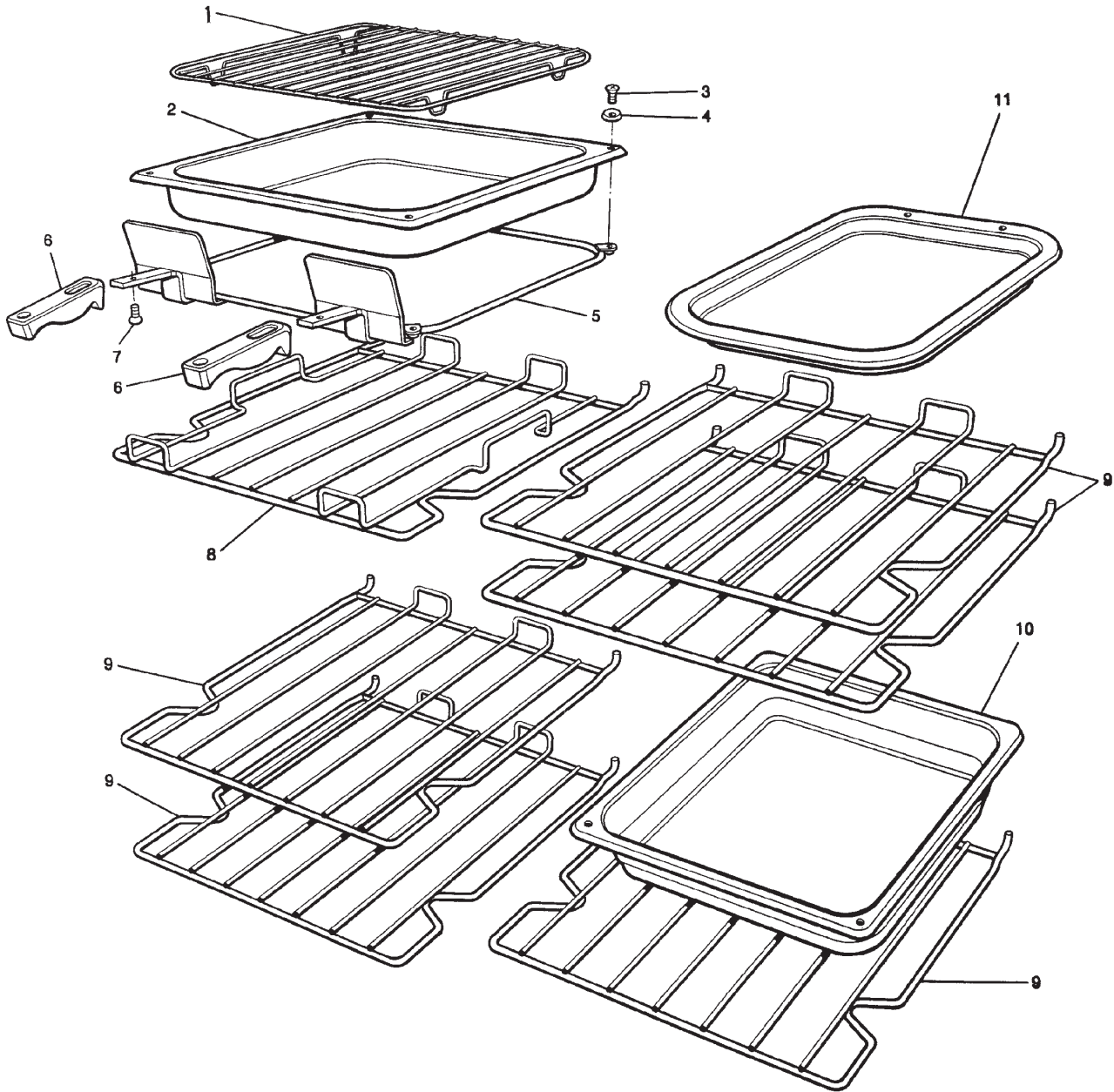


AGA SIX-FOUR SERIES - DC6
FRONT PLATE AND DOORS

**AGA SIX-FOUR SERIES - DC6
ACCESSORIES/FURNITURE**

FEBRUARY 2003

ITEM No.	CAT No.	DESCRIPTION	PRODUCT CODE
1		GRILL PAN ASSY	AG1M250529
1	M0081	GRILL - TRIVET	AE4M260250
2	M0082	GRILL PAN	AE4M260337
3	A4120	SCREW M5 x 10mm	KCSK500408
4		M5 SCREW CAP	KWSR500415
5	A4173	SUPPORT FRAME	AG4M250480
6	M0084	HANDLE	AE4M260114
7	M0117	SCREW M5 x 16 (NYLON)	KCSK500483
8	A3957	GRILL SHELF	AG4M250516
9	A2973	GRID SHELF OVEN	AE4M240065
10	A3958	MEAT/ROASTING TIN	AG4M250432
11	A3959	BAKING TRAY	AG4M250579

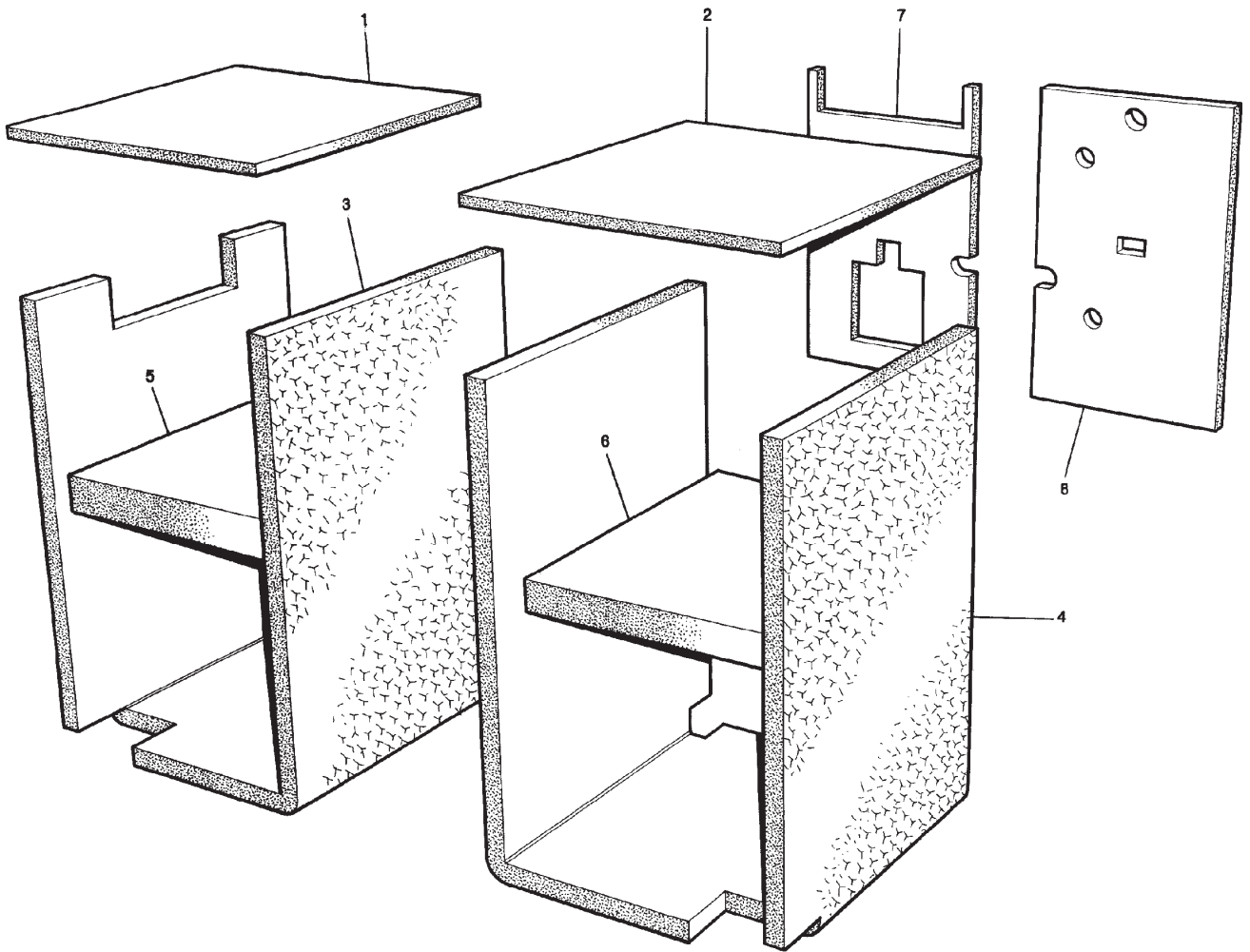


AGA SIX-FOUR SERIES - DC6
ACCESSORIES/FURNITURE

**AGA SIX-FOUR SERIES - DC6
INSULATION**

NOVEMBER 2002

ITEM No.	CAT No.	DESCRIPTION	PRODUCT CODE
1	A4107	OVEN INSULATION - LH TOP	JPAD250611
2	A4108	OVEN INSULATION - RH TOP	JPAD250496
3		OVEN INSULATION - LH WRAP	JPAD250494
4		OVEN INSULATION - RH WRAP	JPAD250495
5		OVEN INSULATION - INSERT	JPAD250512
6		OVEN INSULATION - INSERT (RH)	JPAD250596
7		OVEN INSULATION - BACK (LH)	JPAD250498
8		OVEN INSULATION - BACK (RH)	JPAD250499



AGA SIX-FOUR SERIES - DC6
INSULATION

**AGA SIX-FOUR SERIES
HOTPLATE BURNER PARTS**

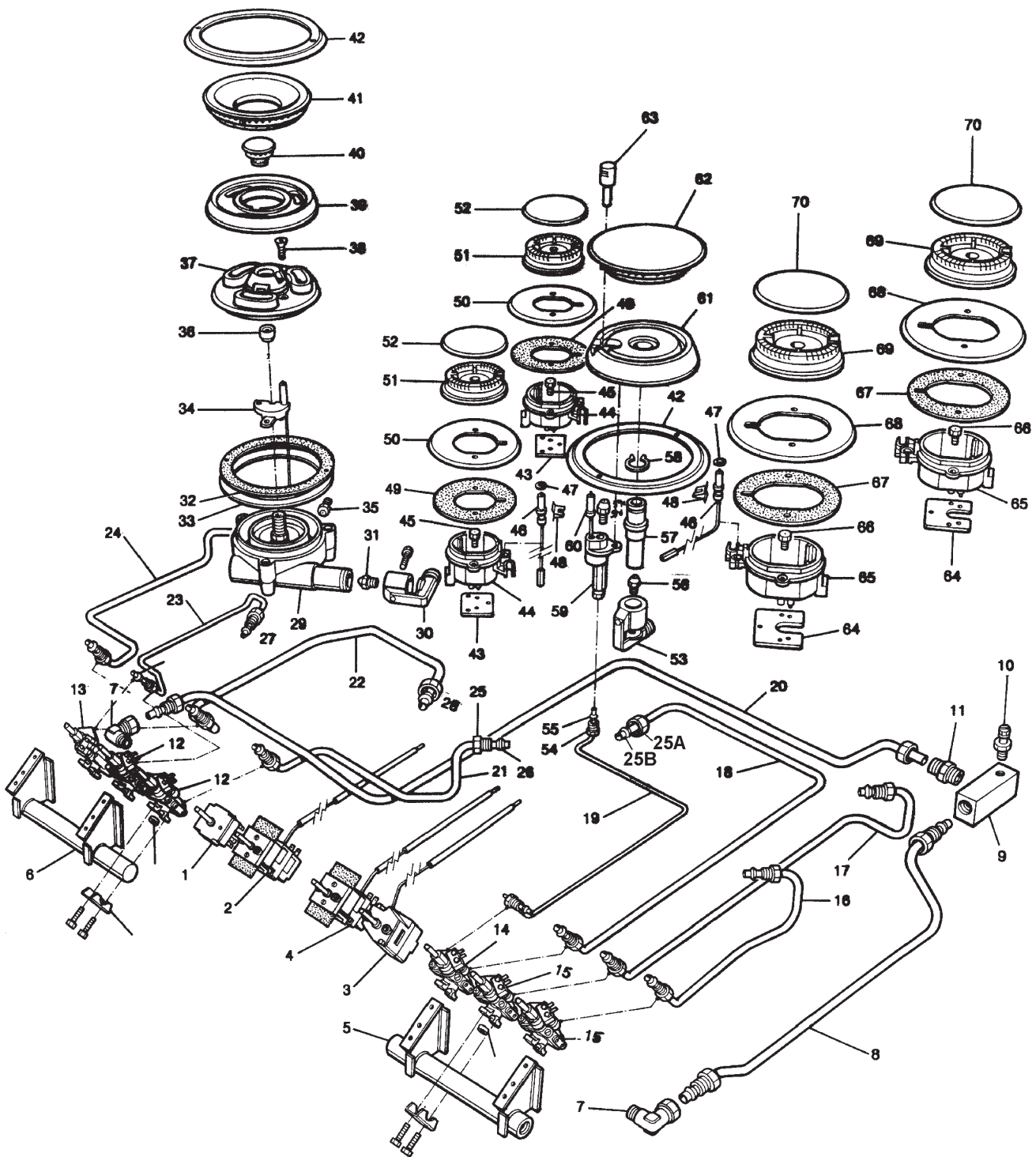
**JANUARY 2006
UP TO M02-125**

ITEM No.	CAT No.	DESCRIPTION	PRODUCT CODE
1	M0006	GRILL REGULATOR	AE4M260258
2	A3960	THERMOSTAT - FAN OVEN 46THC24/J5 - UP TO M05-180	AG4T250582
2A		THERMOSTAT FAN OVEN (FROM M05-180)	AG4T251101
3	A3961	OVEN THERMOSTAT -WARMING OVEN - UP TO M05-180	AG4T250585
3A		THERMOSTAT WARMING OVEN (FROM M05-180)	AG4T251102
4	A3962	OVEN THERMOSTAT - UPPER OVEN - UP TO M05-180)	AG4T250584
4A		THERMOSTAT - UPPER OVEN (FROM M05-180)	AG4T251103
5		GAS RAIL - RH	AG4M250522
6		GAS RAIL - LH	AG4M250521
7		ELBOW 1/4" BSPT TO ø 10	AE4M260154
8		GAS RAIL TUBE (INPUT R/H)	AG4M250486
9	A3963	GAS CONNECTION BLOCK	AG4M250487
10	A3964	TEST NIPPLE	AG4M250575
11		STUD COUPLING 1/4 BSP	AG4M250080
12	A3965	GAS TAP & SWITCH 1.75 kW - NG	AG4M250530
12A	A3966	GAS TAP & SWITCH 1.75 kW - LPG	AG4M250678
13	A3967	GAS TAP & SWITCH 6 kW - NG	AG4M250532
13A	A3968	GAS TAP & SWITCH 6 kW - LPG	AG4M250675
14	A3969	GAS TAP & SWITCH 5 kW - NG	AG4M250531
14A	A3970	GAS TAP & SWITCH 5 kW - LPG	AG4M250676
15	A3971	GAS TAP & SWITCH 2.5 kW - NG	AG4M250538
15A	A3972	GAS TAP & SWITCH 2.5 kW - LPG	AG4M250677
16		2.5 kW FRONT GAS TUBE	AG4M250504
17		2.5 kW REAR GAS TUBE	AG4M250503
18		GAS TUBE (5 kW)	AG4M250501
19		PILOT GAS TUBE (5 kW)	AG4M250502
20		GAS RAIL TUBE (INPUT L/H)	AG4M250488
21		GAS TUBE CENTRE FRONT (1.75 kW)	AG4M250500
22		GAS TUBE LEFT FRONT (WOK)	AG4M250489
23		GAS TUBE LEFT FRONT (WOK PILOT)	AG4M250490
24		GAS TUBE LEFT BACK (1.75 kW)	AG4M250491
25		NUT - 548039900000	AG4M250135
25A	A4149	CLAMPING SCREW M12 (SIMMERMAX)	AG4M250635
25B	A4148	OLIVE - 8mm TUBE (SIMMERMAX)	AG4M250634
26		OLIVE - 141207760000	AG4M250136
27A	A4156	OLIVE - 6mm (SUPERMAX)	AG4M250662
27B	A4157	CLAMPING SCREW M10 (SUPERMAX)	AG4M250663
28A	A4158	OLIVE - 10mm (SUPERMAX)	AG4M250664
28B	A4159	CLAMPING SCREW M17 (SUPERMAX)	AG4M250665
29	A4150	LOWER PART OF BURNER BODY (SUPERMAX)	AG4M250636
30	A4151	BURNER ELBOW (SUPERMAX)	AG4M250642
31	A4152	INJECTOR NG - MAIN BURNER (SUPERMAX)	AG4M250643
31A	A3973	INJECTOR LPG - MAIN BURNER (SUPERMAX)	AG4M250679
32		GASKET - 6 kW BURNER	JGSG250568
33		6 kW - BURNER DISC	AG2M250511
34	A4129	ASSEMBLY GROUP HOLDER (SUPERMAX)	AG4M250645
35	A4155	INJECTOR NG - SECONDARY BURNER (SUPERMAX)	AG4M250659
35A	A3974	INJECTOR LPG - SECONDARY BURNER (SUPERMAX)	AG4M250680
36	A4153	CLAMPING SCREW (SUPERMAX)	AG4M250652
37	A4130	UPPER PART OF BURNER BODY (SUPERMAX)	AG4M250651
38	A4132	COUNTERSUNK SCREW M5 x 20 (SUPERMAX)	AG4M250653
39	A4154	INTERMEDIATE RING (SUPERMAX)	AG4M250655
40	A4128	BURNER CAP - BRASS/BLACK (SUPERMAX)	AG4M250654
41	A4170	BURNER RING - BRASS/BLACK (SUPERMAX)	AG4M250656

**AGA SIX-FOUR SERIES
HOTPLATE BURNER PARTS**

**JUNE 2006
UP TO M02-125**

ITEM No.	CAT No.	DESCRIPTION	PRODUCT CODE
42	A4105	6 kW BURNER SKIRT	AG4M250510
43		1.75 kW SPACER	AG4M250032
44	M0078	1.75 kW BURNER CUP C/W INJ. 642080211097	AG4M250132
45A	A3227	INJECTOR 1.75 kW No. 97 NG	AG4M998433
45B	A3228	INJECTOR 1.75 kW No. 65 LPG	AG4M250119
46	A4031	ELECTRODE C/W LEAD (1000mm)	AG4M250594
	A4032	ELECTRODE C/W LEAD (1300mm)	AG4M250593
47	A3215	ELECTRODE SEAL	AG4M250030
48	A3216	CLIP - IGNITION ELECTRODE	AG4M250031
49	A3202	BURNER GASKET 1.75 kW	JGSG250079
50	A3199	BURNER SKIRT DISC 1.75 kW	AG4M250109
51	A3192	FLAME SPREADER	AG4M250123
52		LID 1.75 kW 573080833000	AG4M250595
53	A4139	BURNER ELBOW (SIMMERMAX)	AG4M250618
54	A4147	CLAMPING SCREW M8 (SIMMERMAX)	AG4M250633
55	A4146	OLIVE - 4mm TUBE (SIMMERMAX)	AG4M250632
56	A4141	INJECTOR NG - MAIN BURNER (SIMMERMAX)	AG4M250620
56A		INJECTOR LPG - MAIN BURNER (SIMMERMAX)	AG4M250681
57	A4140	VENTURI (SIMMERMAX)	AG4M250619
58	A4142	RETAINING RING MAIN (SIMMERMAX)	AG4M250622
59	A4144	VENTURI SIMMER (SIMMERMAX)	AG4M250627
59A	A4188	INJECTOR (NG) - SIMMER BURNER (SIMMERMAX)	AG4M250628
59B	A3975	INJECTOR (LPG) - SIMMER BURNER (SIMMERMAX)	AG4M250682
60	A4145	IGNITOR (SIMMERMAX)	AG4M250629
61	A4137	BURNER BASE - BLACK (SIMMERMAX)	AG4M250615
62	A4138	BURNER CAP - BLACK (SIMMERMAX)	AG4M250616
63	A4143	SIMMER BASE (SIMMERMAX)	AG4M250623
64	A3976	2.5 kW SPACER	AG4M250033
65	A4324	2.5 kW BURNER CUP C/W INJ. 642080364106	AG4M250356
66	A4160	2.5 kW INJECTOR - NG	AG4M250672
66A	A3977	2.5 kW INJECTOR - LPG	AG4M250670
67		BURNER GASKET - 3.0 kW	JGSG250078
68	A3200	BURNER SKIRT DISC - 2.5 kW	AG4M250108
69	A3194	FLAME SPREADER 2.5 kW 683085001003	AG4M250125
70	A4174	LID 2.5 kW 573080933000	AG4M250592



AGA SIX-FOUR SERIES - DC6 (UP TO M02-125)
HOTPLATE AND BURNER PARTS

**AGA SIX-FOUR SERIES
HOTPLATE BURNER PARTS**

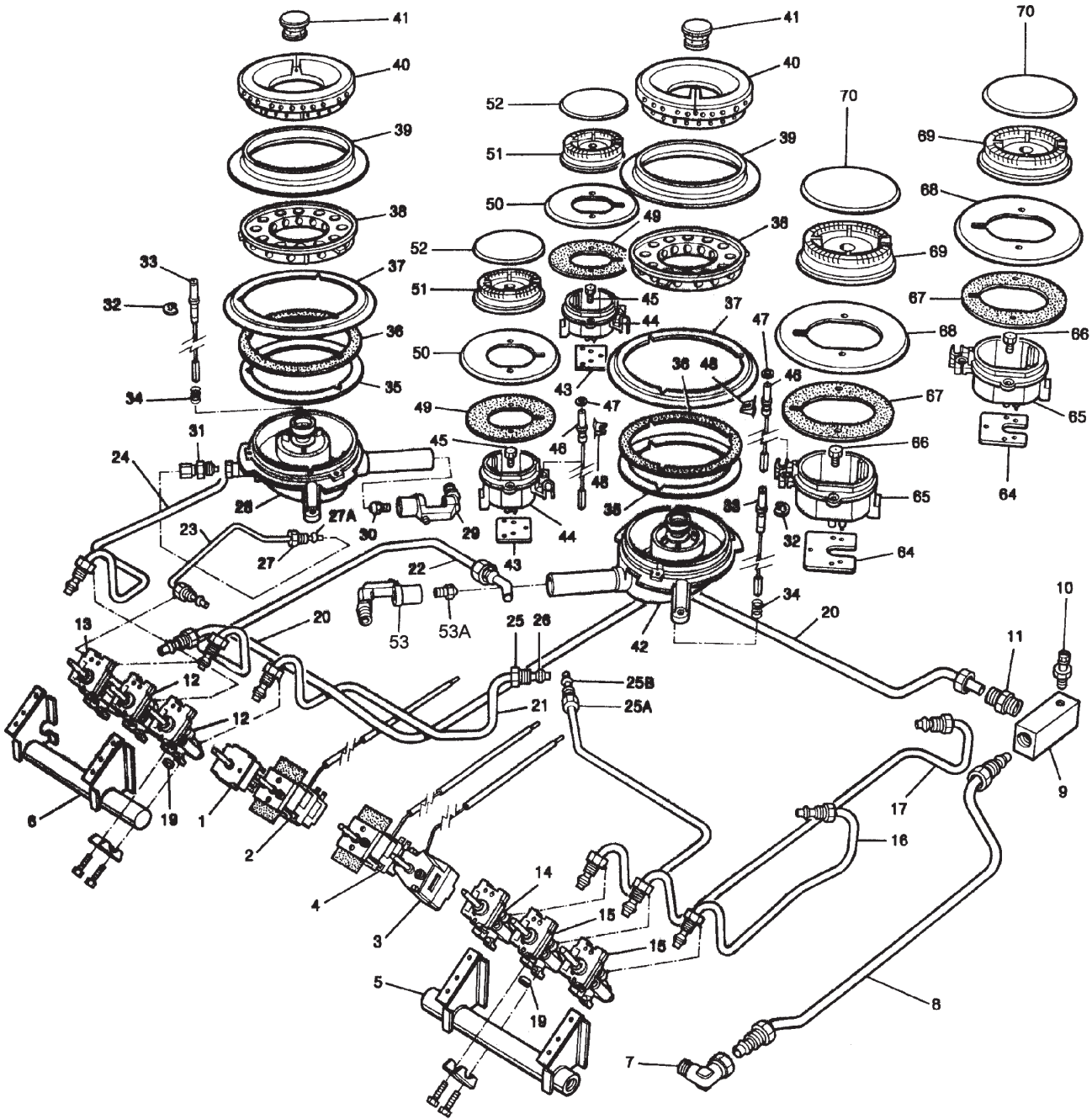
**JANUARY 2006
FROM M02-125/M03-025**

ITEM No.	CAT No.	DESCRIPTION	PRODUCT CODE
1	M0006	GRILL REGULATOR	AE4M260258
2	A3960	THERMOSTAT - FAN OVEN 46THK 24/J5 - UP TO M05-180	AG4T250582
2A		THERMOSTAT - FAN OVEN (FROM M05-180)	AG4T251101
3	A3961	OVEN THERMOSTAT - WARMING OVEN - UP TO M05-180	AG4T250585
3A		THERMOSTAT - WARMING OVEN (FROM M05-180)	AG4T251102
4	A3962	OVEN THERMOSTAT - UPPER OVEN - UP TO M05-180	AG4T250584
4A		THERMOSTAT - UPPER OVEN (FROM M05-180)	AG4T251103
5		GAS RAIL - R/H	AG4M250522
6		GAS RAIL - L/H	AG4M250728
7		ELBOW 1/4" BSPT TO ø10	AE4M260154
8		GAS RAIL TUBE (INPUT RH)	AG4M250486
9	A3963	GAS RAIL CONNECTION BLOCK	AG4M250487
10	A3964	TEST NIPPLE	AG4M250575
11		STUD COUPLING 1/4" BSP	AG4M250080
12	A4265	GAS TAP & SWITCH 1.75 kW - NG/5.0 kW - LPG	AG4M250786
12A	A4281	GAS TAP & SWITCH 1.7 kW - LPG	AG4M250790
13	A4282	GAS TAP & SWITCH 6 kW - NG	AG4M250783
13A	A4204	GAS TAP & SWITCH 6 kW - LPG	AG4M250787
14	A4283	GAS TAP & SWITCH 5 kW - NG	AG4M250830
14A	A4265	GAS TAP & SWITCH 5 kW - LPG/1.75 kW - NG	AG4M250786
15	A4284	GAS TAP & SWITCH 2.5 kW - NG	AG4M250785
15A	A4285	GAS TAP & SWITCH 2.5 kW - LPG	AG4M250789
16		2.5 kW FRONT GAS TUBE	AG4M250776
17		2.5 kW REAR GAS TUBE	AG4M250777
18		GAS TUBE 5 kW	AG4M250780
20		GAS RAIL TUBE (INPUT L/H)	AG4M250488
21		GAS TUBE CENTRE FRONT (1.75 kW)	AG4M250774
22		GAS TUBE LEFT FRONT WOK	AG4M250779
23		GAS TUBE LEFT FRONT (WOK PILOT)	AG4M250778
24		GAS TUBE LEFT BACK (1.75 kW)	AG4M250775
25		NUT - 548039900000	AG4M250135
25A		TUBE NUT M12	AG4M250794
25B		OLIVE 8mm	AG4M250793
26	M0116	OLIVE - 1412077606000	AG4M250136
27		TUBE NUT	AG4M250806
27A		OLIVE	AG4M250795
28	A4391	OUTER BASE ASSY (DUPLEX)	AG4M250760
29	A4423	MAIN JET HOLDER - NG	AG4M250763
30	A4367	MAIN INJECTOR - NG (DUPLEX)	AG4M250768
30A	A4232	MAIN INJECTOR - LPG (DUPLEX)	AG4M250744
31	A4233	SIMMER VENTURI NG - INCLUDING INJECTOR	AG4M250756
31A	A4404	SIMMER INJECTOR - NG	AG4M250769
31B	A4234	SIMMER VENTURI - LPG	AG4M250745
32	A4244	ELECTRODE CLIP	AG4M250752
33	A4236	ELECTRODE	AG4M250750
34		SPRING	AG4M250753
35	A4301	BURNER SPACING RING	AG2M250715
36	A4237	BURNER GASKET	JGSG250762
37	A4238	BURNER SKIRT	AG4M250714
38	A4300	BURNER HEAD	AG4M250748
39	A4302	BEAUTY RING	AG4M250754
40	A4291	OUTER BURNER RING	AG4M250749
41	A4292	INNER BURNER RING	AG4M250755
42	A4288	OUTER BURNER BASE ASSY (SIMPLEX)	AG4M250747
43		1.75 kW SPACER	AG4M250032
44		1.75 kW BURNER CUP C/W INJECTOR	AG4M250132

**AGA SIX-FOUR SERIES
HOTPLATE BURNER PARTS**

**JULY 2004
FROM M02-125**

ITEM No.	CAT No.	DESCRIPTION	PRODUCT CODE
45	A3227	INJECTOR 1.75 No. 97 - NG	AG4M998433
45A	A3228	INJECTOR 1.75 No. 65 - LPG	AG4M250119
46	A4031	ELECTRODE C/W LEAD (1000mm)	AG4M250594
46A	A4032	ELECTRODE C/W LEAD (1300mm)	AG4M250593
47	A3215	ELECTRODE SEAL	AG4M250030
48	A3216	CLIP - IGNITION ELECTRODE	AG4M250031
49	A3202	BURNER GASKET - 1.75 kW	JGSG250079
50	A3199	BURNER SKIRT DISC - 1.75 kW	AG4M250109
51	A3192	FLAME SPREADER	AG4M250123
52	A4030	LID 1.75 kW	AG4M250595
53		MAIN JET HOLDER (SIMPLEX) - C/W INJ - NG	AG4M250751
53A	A4405	MAIN INJECTOR - NG	AG4M250767
53C	A4240	MAIN INJECTOR - LPG	AG4M250746
64	A3976	2.5 kW SPACER	AG4M250033
65	A4324	2.5 kW BURNER CUP C/W INJ	AG4M250356
66	A4160	2.5 kW INJECTOR - NG	AG4M250672
66A	A3977	2.5 kW INJECTOR - LPG	AG4M250670
67	A3203	BURNER GASKET	JGSG250078
68	A3200	BURNER SKIRT DISC 2.5 kW	AG4M250108
69	A3194	FLAME SPREADER 2.5 kW	AG4M250125
70	A4174	LID 2.5 kW	AG4M250592



AGA SIX-FOUR SERIES - DC6 (FROM M02-125)
HOTPLATE AND BURNER PARTS

AGA SIX-FOUR SERIES - DC6 **JUNE 2005**
TOP PLATE AND HOTPLATE FRAME (UP TO M02-125)

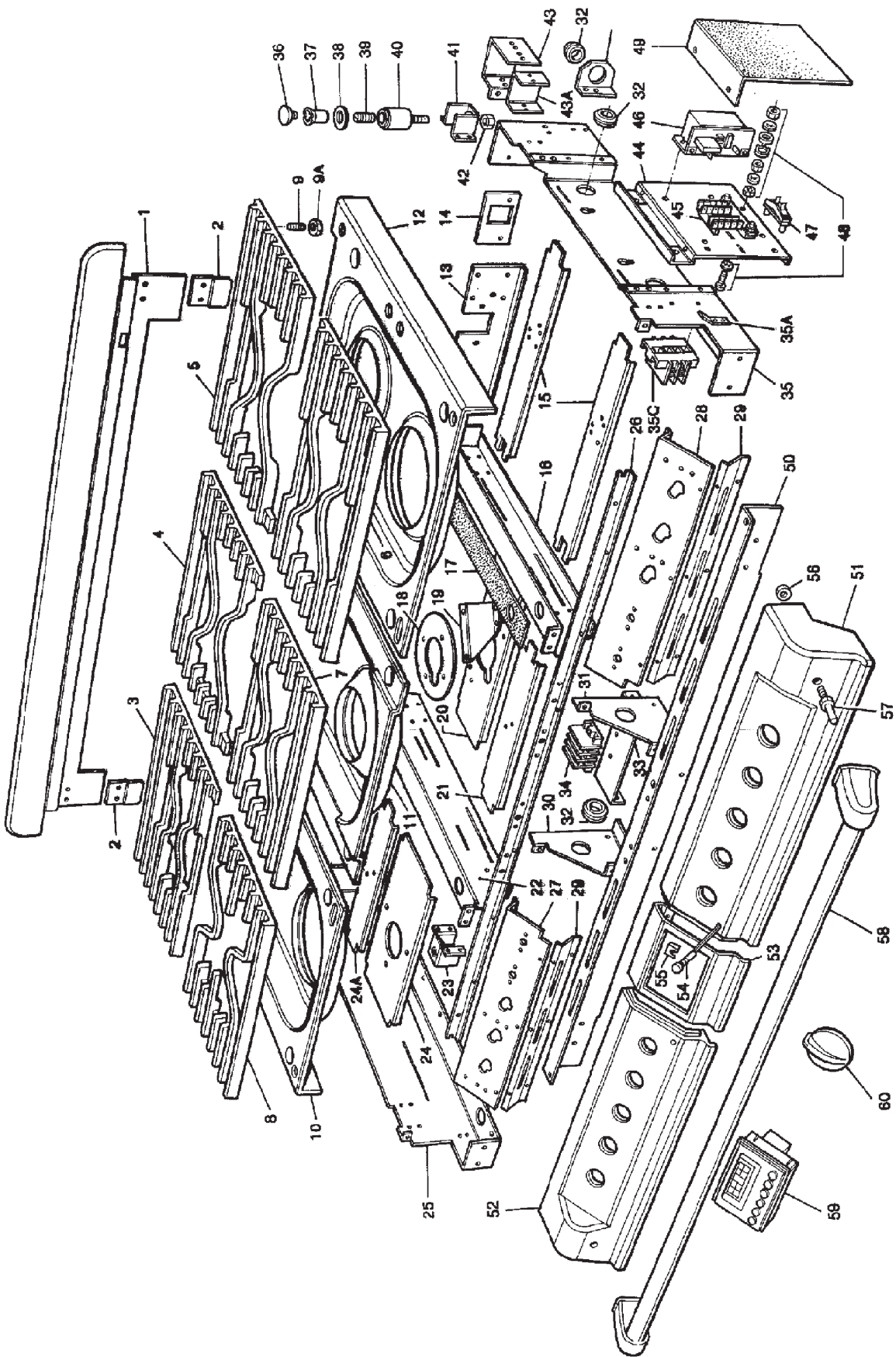
ITEM No.	CAT No.	DESCRIPTION	PRODUCT CODE
1	A3978	SPLASHBACK ASSEMBLY	AG4M250438
2	A4382	LOCATION TONGUE - SPLASHBACK	AG2M250525
3	A3979	LH REAR PAN SUPPORT	AG5E250545
4	A3980	CENTRE REAR PAN SUPPORT	AG5E250543
5	A3981	RH REAR PAN SUPPORT	AG5E250547
6	A3982	RH FRONT PAN SUPPORT	AG5E250546
7	A3983	CENTRE FRONT PAN SUPPORT	AG5E250542
8	A3984	LH FRONT PAN SUPPORT	AG5E250544
9		GRUB SCREW M5 x 12 SKT/FLAT	KGRB500470
9A		M5 FULL NUT - BRASS	KNUT52909
10	A3985	LH SPILLAGE WELL	AG5E250558
11	A3986	CENTRE SPILLAGE WELL	AG5E250557
12	A3987	RH SPILLAGE WELL	AG5E250559
13		BURNER FRAME - REAR ANGLE	AG2M250367
14		CONNECTION BLOCK SUPPORT	AG2M250255
15		2.5 kW BURNER SUPPORT	AG2M250463
16		BURNER SUPPORT - RH	AG2M250337
17		GASKET SPILLAGE WELL (2-OFF)	JGSG250570
18		5 kW MOUNTING PLATE	AG2M250414
19		5 kW MOUNTING PLATE BRACKET (2-OFF)	AG2M250415
20		5 kW SUPPORT PLATE	AG2M250416
21		1.75 kW SUPPORT BRACKET CENTRE	AG2M250413
22		BURNER SUPPORT - LH	AG2M250338
23		SPILLAGE WELL FIXING BRACKET	AG2M250426
24		6 kW SUPPORT BRACKET	AG2M250411
24A		1.75 kW BURNER SUPPORT	AG2M250412
25	A4359	TOP FRAME - LH	AG2M250335
26		BURNER FRAME FRONT ANGLE	AG2V250366
27	A4360	LH CONTROL PANEL - MOUNTING	AG2M250362
28		RH CONTROL PANEL - MOUNTING	AG2M250417
29	A4361	CONTROL FIXING BRACKET	AG2M250465
30		FRONT ANGLE SUPPORT - LH	AG2M250535
31		FRONT ANGLE SUPPORT - RH	AG2M250536
32	A2757	GROMMET (5-OFF)	AE4M240132
33		NEON CONNECTION BLOCK - BRACKET	AG2M250540
34	A3988	TERMINAL BLOCK 3-WAY	AE4M260105
35		TOP FRAME RH ASSEMBLY	AG1M250581
35A		EARTH TAB	AE2M240154
35C	A4241	TERMINAL BLOCK 2-WAY	AG4M250075
36	A2119	CORNER STAY BUTTON	AG4M210228
37	A2123	CORNER STAY NUT	AG4M210244
38		WASHER M16	KWSR500418
39	A4454	JACKING STUD	AG4M250429
40		SPILLAGE WELL ADJUSTER	AG4M250427
41		FIXING BRACKET OUTER	AG2M250425
42		M8 NUT	
43		SPLASHBACK OUTER BRACKET	AG2M250517
43A		SPLASHBACK INNER BRACKET	AG2M250513
44	A4460	TERMINAL MOUNTING PANEL	AG2M250459
45	M0158	MAINS TERMINAL BLOCK	AG4M250613
46	A3989	GENERATOR IGNITION	AG4M250526
47		CABLE CLAMP	RG4M26192
48		EARTH POST ASSEMBLY	

AGA SIX-FOUR SERIES - DC6

OCTOBER 2005

TOP PLATE AND HOTPLATE FRAME (UP TO M02-125)

ITEM No.	CAT No.	DESCRIPTION	PRODUCT CODE
49		TERMINAL BLOCK COVER	AG4M250460
50	A4362	FACIA SUPPORT BRACKET	AG2M250424
51	A4720	RH FACIA - NG UP TO S/No. L0000385	AG5V997042
51A	A4721	RH FACIA - LPG UP TO S/No. L0000600	AG5V997043
51B	A4723	RH FACIA - NG FROM S/No. L0000601 TO L000663	AG5V997045
51C	A4722	RH FACIA - LPG FROM S/No. L0000801 TO L0000824	AG5V997044
52	A4719	LH FACIA - UP TO S/No. L0000600	AG5V997041
52A	A4724	LH FACIA FROM S/No. L0000601 TO L0004499	AG5V997046
53	A3993	TIMER PANEL	AG4M250410
53A		TIMER PANEL ASSY (INCLS ITEMS 53 & 59)	AG4M250597
54	M0032	NEON (INCLUDES ITEM 55)	AE4M260211
55		CLIP	
56		M8 NUT	AG4M250533
57		HANDRAIL BRACKET FASTENER	AG4M250376
58	A3940	HANDRAIL ASSY (INCLS ITEMS 56 & 57)	AE4M260148
59	M0012	TIMER	AG4M250365
60	A3994	KNOB	



AGA SIX-FOUR SERIES - DC6 (UP TO M02-125)
TOP PLATE AND HOTPLATE FRAME

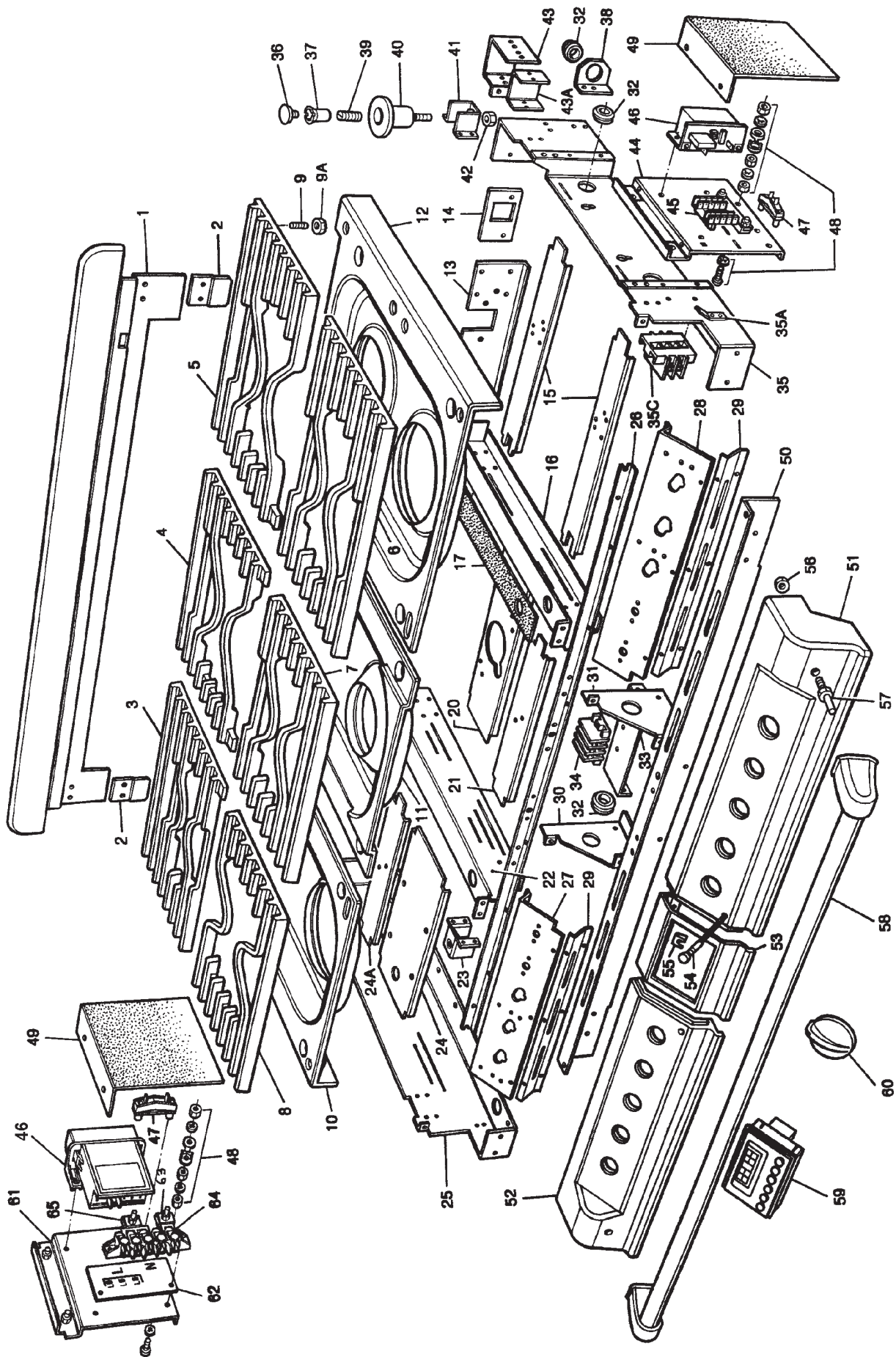
AGA SIX-FOUR SERIES - DC6 **JULY 2005**
TOP PLATE AND HOTPLATE FRAME (FROM M02-125)

ITEM No.	CAT No.	DESCRIPTION	PRODUCT CODE
1	A3978	SPLASHBACK ASSEMBLY	AG4M250438
2	A4382	LOCATION TONGUE - SPLASHBACK	AG2M250525
3	A3979	LH REAR PAN SUPPORT	AG5E250545
4	A3980	CENTRE REAR PAN SUPPORT	AG5E250543
5	A3981	RH REAR PAN SUPPORT	AG5E250547
6	A3982	RH FRONT PAN SUPPORT	AG5E250546
7	A3983	CENTRE FRONT PAN SUPPORT	AG5E250542
8	A4286	LH FRONT PAN SUPPORT	AG5E250742
9	A4027	ADJUSTING PAN SUPPORT FOOT	KGRB500470
9A		LOCKNUT - BRASS	KNUT500482
10		LH SPILLAGE WELL	AG5E250713
11	A3986	CENTRE SPILLAGE WELL	AG5E250710
12	A3987	RH SPILLAGE WELL	AG5E250559
13		BURNER FRAME - REAR ANGLE	AG2M250367
14		CONNECTION BLOCK SUPPORT	AG2M250255
15		2.5 kW BURNER SUPPORT	AG2M250463
16		BURNER SUPPORT - RH	AG2M250337
17		GASKET SPILLAGE WELL (2-OFF)	JGSG250570
20		5 kW SUPPORT PLATE	AG2M250416
21		1.75 kW SUPPORT BRACKET CENTRE	AG2M250413
22		BURNER SUPPORT - LH	AG2M250338
23		SPILLAGE WELL FIXING BRACKET	AG2M250426
24		DUAL WOK BURNER SUPPORT	AG2M250716
24A		1.75 kW BURNER SUPPORT	AG2M250412
25	A4359	TOP FRAME - LH	AG2M250335
26		BURNER FRAME FRONT ANGLE	AG2V250366
27	A4360	LH CONTROL PANEL - MOUNTING	AG2M250362
28		RH CONTROL PANEL - MOUNTING	AG2M250417
29	A4361	CONTROL FIXING BRACKET	AG2M250465
30		FRONT ANGLE SUPPORT - LH	AG2M250535
31		FRONT ANGLE SUPPORT - RH	AG2M250536
32	A2757	GROMMET (5-OFF)	AE4M240132
33		NEON CONNECTION BLOCK - BRACKET	AG2M250540
34	A3988	TERMINAL BLOCK 3-WAY	AE4M260105
35		TOP FRAME RH ASSEMBLY	AG1M250581
35A		EARTH TAB	AE2M240154
35C	A4241	TERMINAL BLOCK 2-WAY	AG4M250075
36	A2119	CORNER STAY BUTTON	AG4M210228
37	A2117	CORNER STAY NUT	AG4M210227
38		CABLE SUPPORT BRACKET	AG2M251004
39	A4454	JACKING STUD	AG4M250429
40		SPILLAGE WELL ADJUSTER	AG4M250427
41	A4297	FIXING BRACKET OUTER	AG2M250425
42		M8 NUT	
43		SPLASHBACK OUTER BRACKET	AG2M250517
43A		SPLASHBACK INNER BRACKET	AG2M250513
44		TERMINAL MOUNTING PANEL - UP TO NP04-001	AG2M250459
45	M0158	MAINS TERMINAL BLOCK - UP TO NP04-001	AG4M250613
46	A3989	GENERATOR IGNITION (M03-133)	AG4M250526
47	R2190	CABLE CLAMP	RG4M26192
48		EARTH POST ASSEMBLY	
49		TERMINAL BLOCK COVER	AG4M250460

**AGA SIX-FOUR SERIES - DC6
TOP PLATE AND HOTPLATE FRAME (FROM M02-125)**

JULY 2004

ITEM No.	CAT No.	DESCRIPTION	PRODUCT CODE
50	A4362	FACIA SUPPORT BRACKET	AG2M250424
51	A4725	RH FACIA - NG FROM S/No. L0000676 TO L0004499	AG5V997047
51A	A4726	RH FACIA - LPG FROM S/No. L0000851 TO L0004499	AG5V997048
52	A4724	LH FACIA FROM S/No. L0000601 TO S/No. L00004499	AG5V997046
53	A3993	TIMER PANEL	AG4M250410
53A		TIME PANEL ASSY (INCLS ITEMS 53 & 59)	AG4M250597
54	M0032	NEON (INCLUDES ITEM 55)	AE4M260211
55		CLIP	
56		M8 NUT	
57		HANDRAIL BRACKET FASTENER	AG4M250533
58	A3940	HANDRAIL ASSY (INCLS ITEMS 56 & 57)	AG4M250376
59	M0012	TIMER	AE4M260148
60	A3994	KNOB	AG4M250365
61		TERMINAL MOUNTING PLATE	AG2M250948
62		TERMINAL LABEL	EGLL250979
63		TERMINAL BLOCK ADAPTOR - 2 PRONG	AG4M250975
64		MAINS TERMINAL BLOCK	AG4M250973
65		TERMINAL BLOCK ADAPTOR - 3 PRONG	AG4M250974
		ITEMS 61-65 FROM NP04-001	

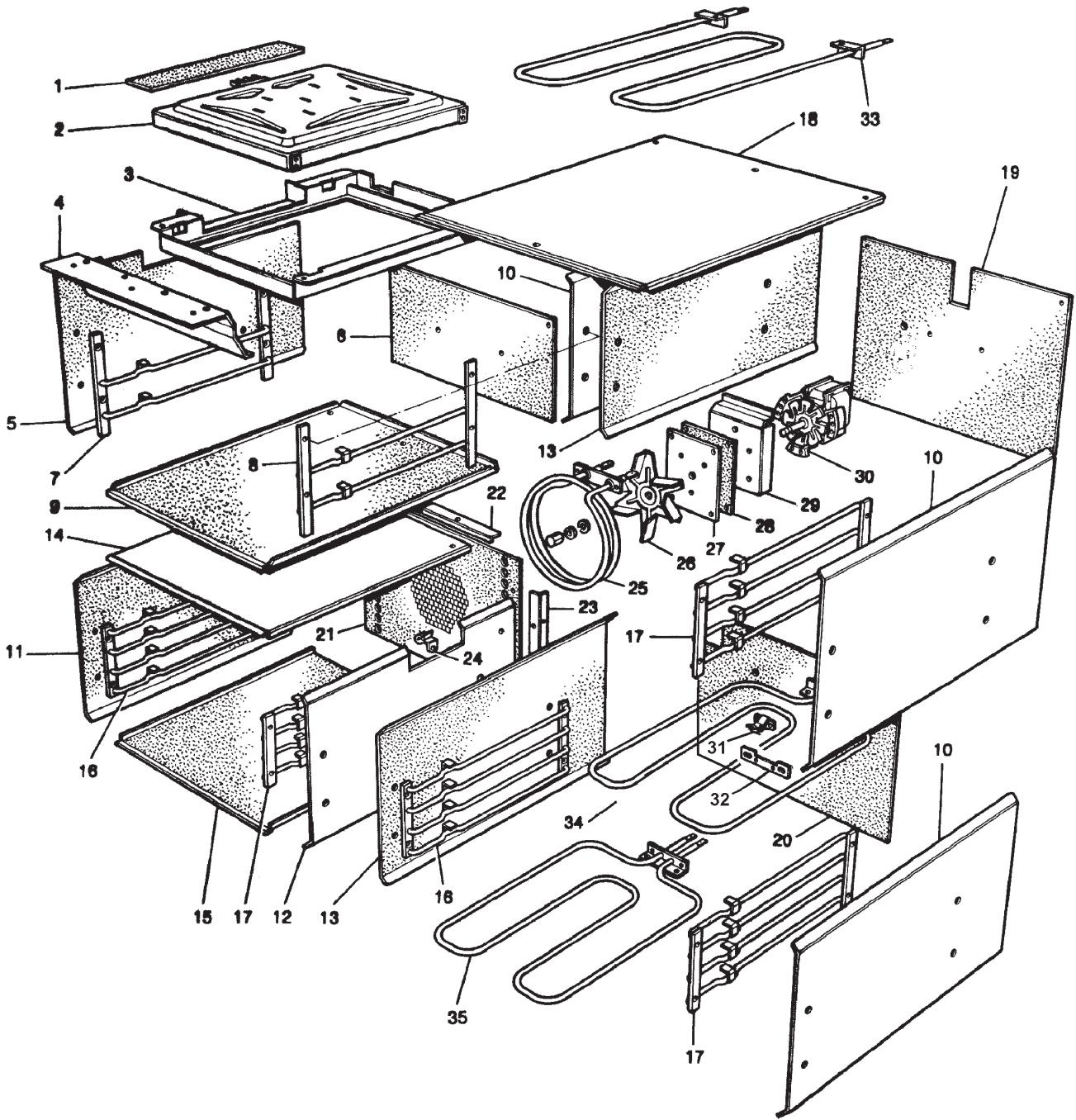


AGA SIX-FOUR SERIES - DC6 (FROM M02-125)
TOP PLATE AND HOTPLATE FRAME

**AGA SIX-FOUR SERIES - DC6
TOP, BOTTOM, FAN AND GRILL ASSEMBLIES**

MARCH 2009

ITEM No.	CAT No.	DESCRIPTION	PRODUCT CODE
1		GRILL SIDE DUCT INSERT	JPAD250493
2	M0033	GRILL ASSEMBLY -ELECTRIC (UP TO M09-046)	AE4M260103
2A		GRILL ASSY RETRO-FIT KIT (PRE M09-046)	AE9M997830
3		SUPPORT ASSEMBLY - GRILL ELEMENT	AG1M250340
4		GRILL HEAT DEFLECTOR	AG4M250385
5	A3995	GRILL LINER - LH	AG4M250451
6	A3996	GRILL BACK LINER	AG4M250449
7	A3997	GRILL SUPPORT RAIL - LH	AG4M250514
8	A3998	GRILL SUPPORT RAIL -RH	AG4M250515
9	A3999	BOTTOM OVEN LINER	AG4M250600
9A	A4176	TOP OVEN BOTTOM LINERS	AG4M250812
10	A4000	OVEN LINER - RH	AG4M250452
11	A4001	FAN OVEN LINER - LH	AG4M250453
12	A4002	FAN OVEN LINER - RH	AG4M250454
13	A4003	OVEN LINER - LH	AG4M250456
14	A4004	FAN OVEN TOP LINER	AG4M250455SCE
15	A4005	FAN OVEN BOTTOM LINER	AG4M250455BVE
16	A4006	OVEN RAILS - LH	AG4M250527
17	A4007	OVEN RAILS -RH	AG4M250528
18	A4008	OVEN TOP LINER	AG4M250308
19	A4009	TOP OVEN BACK LINER	AG4M250458
20	A4010	BOTTOM OVEN REAR LINER	AG4M250466
21	A4011	FAN OVEN BAFFLE PLATE	AE4M240178
22	A4012	FIXING BRACKET	AG2M250598
23		FIXING BRACKET	AG2M250599
24	A3087	PHIAL CLIP	AE4M240058
25	A4264	OVEN ELEMENT FAN	AG4M250397
26		IMPELLOR (UP TO M07-142)	AE4M240156
26A		IMPELLOR 120MM (FROM M07-142)	AG4M251303
27		PLATE - FAN	AE4M240017
28		GASKET	JGSG240142
29	A3094	FAN SHIELD	AE2M240119
30	A3095	FAN & IMPELLOR ASSY (INCLS 26) (UP TO M07-142)	AE4M240093
30A		FAN OVEN (FROM M07142)	AE4M260908
30B		CIRCULATION FAN ASSY (PRE M07-142)	AE9M997604
31	A4287	PHIAL CLIP	AE4M260292
32		PHIAL CLIP STRAP	AE2M260335
33	A4013	TOP OVEN TOP ELEMENT	AG4M250398
34	A4014	TOP OVEN BASE ELEMENT (UP TO M06-193)	AG4M250508
34A	A5050	TOP OVEN BASE ELEMENT (FROM M06-193)	AG4M251282
35	A4015	WARMING OVEN ELEMENT	AG4M250390

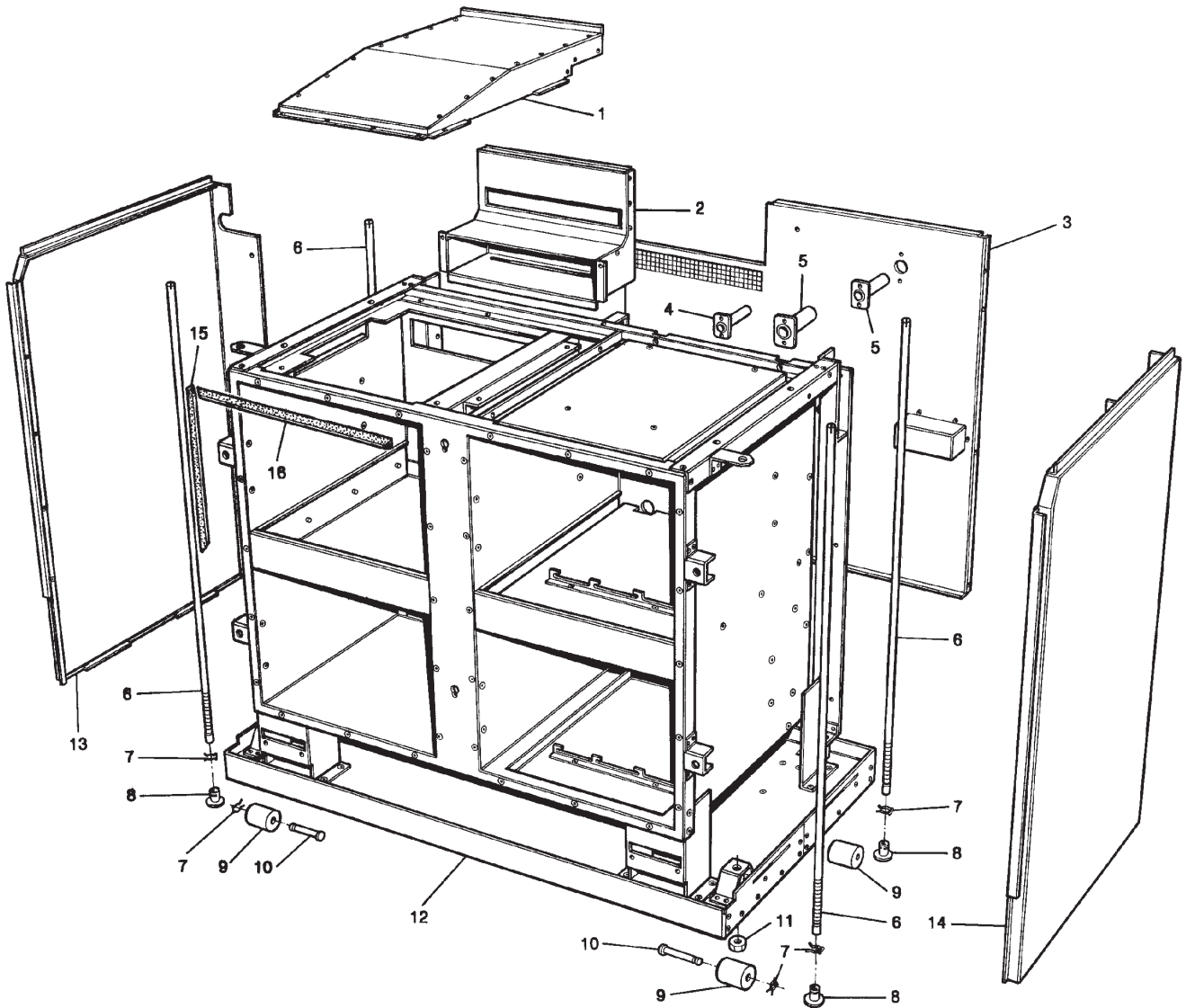


AGA SIX-FOUR SERIES - DC6
 TOP, BOTTOM, FAN AND GRILL ASSEMBLIES

**AGA SIX-FOUR SERIES - DC6
CHASSIS FRAME ASSEMBLY**

SEPTEMBER 2004

ITEM No.	CAT No.	DESCRIPTION	PRODUCT CODE
1		GRILL TOP DUCT ASSY	AG1M250348
2		REAR GRII HEAT DUCT ASSY	AG1M250358
3		BACK PANEL	AG2M250479
4	A3100	VENT PIPE	AE4M240090
5		VENT PIPE	AG4M250534
6		ADJUSTING RODS	AG4M250485
7	A4430	CIRCLIP ROLLER	KCLP250580
8	A4429	FEET	AG4M250484
9		ROLLER	AG4M250471
10		ROLLER WHEEL SPINDLE	AG4M250472
11		NUT M16	KNUT500417
12		BASE PLATE ASSY	AG1M250329
13	A4016	LH SIDE PLATE	AG2V250482
14	A4017	RH SIDE PLATE	AG2V250697
15	A4414	FRONT PLATE SEAL - VERTICAL	AG4M250562
16	A4415	FRONT PLATE SEAL - HORIZONTAL	AG4M250561



AGA SIX-FOUR SERIES - DC6
CHASSIS FRAME ASSEMBLY