

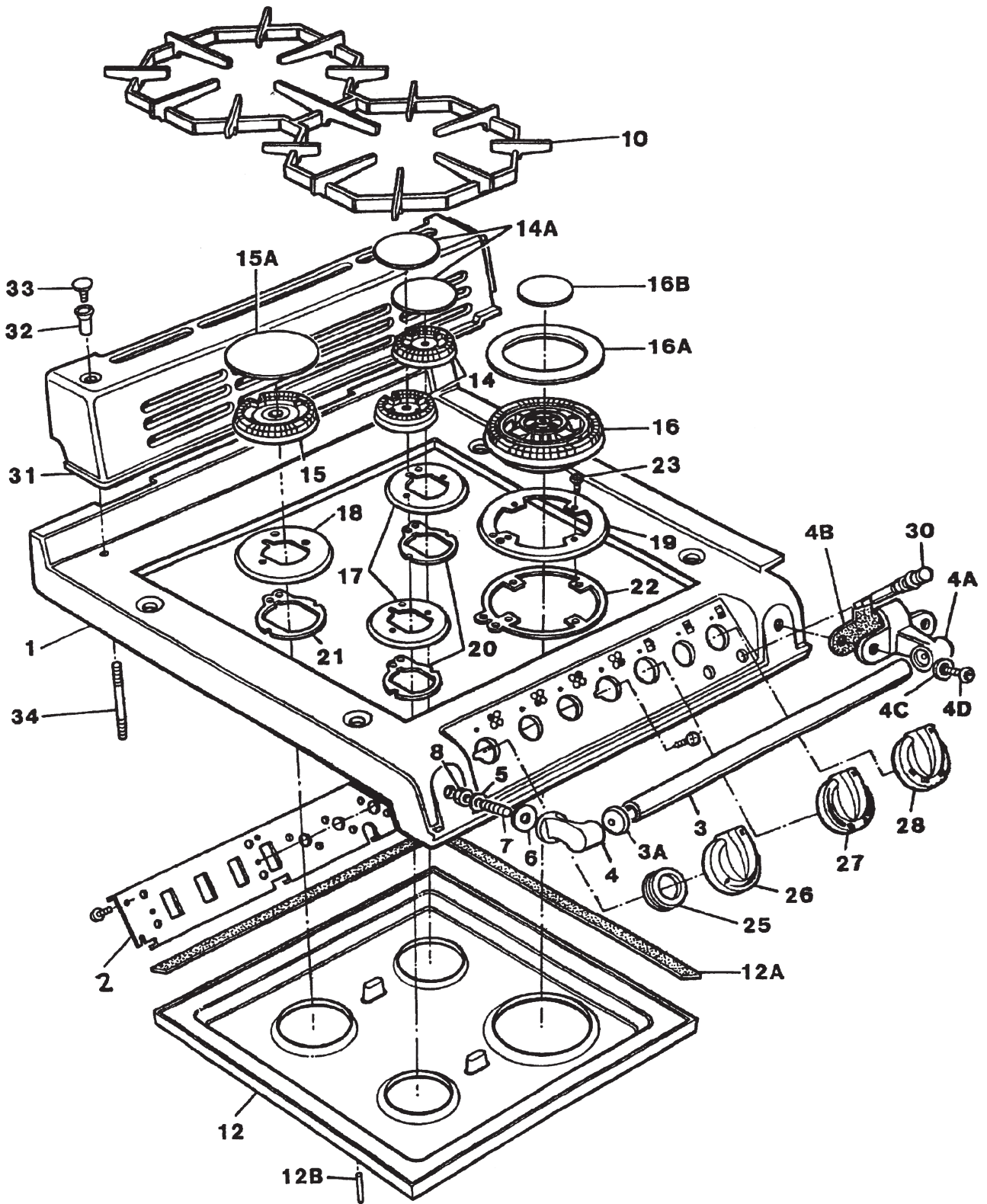
**AGA ELECTRIC  
MODULE  
WITH GAS HOB  
(FFD'S)**

***SPARE PARTS  
MANUAL***

**AGA ELECTRIC MODULE WITH GAS HOB (FFD'S)  
TOP PLATE AND HOTPLATE PARTS**

**FEBRUARY 2009**

<b>ITEM No.</b>	<b>CAT No.</b>	<b>DESCRIPTION</b>	<b>PRODUCT CODE</b>
1	A3238	TOP PLATE (NO SHROUD)	AG5E250094
	A3239	TOP PLATE (TO ACCEPT SHROUD)	AG5E250137
2	A5024	FACIA PANEL	AG2M251160
3	A2642	HANDRAIL	AE4M240076
3A	A2975	VINYL END CAP	AG4M210660
4	A2314	BRACKET HANDLE	AG4M210853
4A	A2977	JOINTING BRACKET	AG4M210854
4B	A2532	GASKET JOINTING BRACKET	JGSG210523
4C	A3044	JOINTING BRACKET WASHER	JWSR210469
4D	A3109	M8 x 25 LG FLANGE BUTTON HD SKT SCREW	KMIS500305
5	A3664	WASHER M8 SHAKEPROOF	KWSR53346
6	A1472	FIBRE WASHER	JWSR313206
7	A4192	ALLTHREAD M8 x 35	KSTD500010
8	R2630	NUT M8	KNUT53061
10	A3188	PAN SUPPORT	AG4M250024
12	A3189	HOTPLATE	AG5E250012
12A	A3190	HOTPLATE GASKET (x4)	JGSG250083
12B	A3191	SPIROL PIN ø 6 x 30	KCTR500380
14	A3192	BURNER RING 1.75kW	AG4M250123
14A	A3193	BURNER CAP 1.75kW VE	AG4M250124
15	A3194	BURNER RING 3.0kW	AG4M250125
15A	A3195	BURNER CAP 3.0kW VE	AG4M250126
16	A3196	BURNER RING 3.5kW	AG4M250127
16A	A3197	BURNER CAP 3.5kW VE	AG4M250128
16B	A3198	BURNER INNER CAP 3.5kW VE	AG4M250129
17	A4817	BURNER SKIRT DISC 1.75kW	AG4M251043
18	A4520	BURNER SKIRT DISC 3.0kW	AG4M251044
19	A4818	BURNER SKIRT DISC 3.5kW	AG4M251104
20	A4819	BURNER GASKET 1.75kW	AG4M251007
21	A4820	BURNER GASKET 3.0kW	AG4M251008
22	A4821	BURNER GASKET 3.5kW	AG4M251046
23		SCREW M3 x 8 C'SNK HEAD M/C ST/ST	KCSK500365
25	A4904	GROMMET - REEVITE PV865	AG4M250978
26	A4670	KNOB - GAS BURNERS	AG4M251129
27	A4671	KNOB - GRILL	AG4M251130
28	A4672	KNOB - OVENS	AG4M251131
30	A3045	NEON	AE4M250092
31	A2641	SHROUD	AE5E240098
32	A2117	NUT CONTROL STAY	AE4M210227
33	A2119	BUTTON	AG4M210228
34		SUPPORT BRACKET STAY ROD SHORT	AE4M44115
35	A1915	ROPE - THERM NO 2.5 DIA 0.72M LG	JTHR20393X40



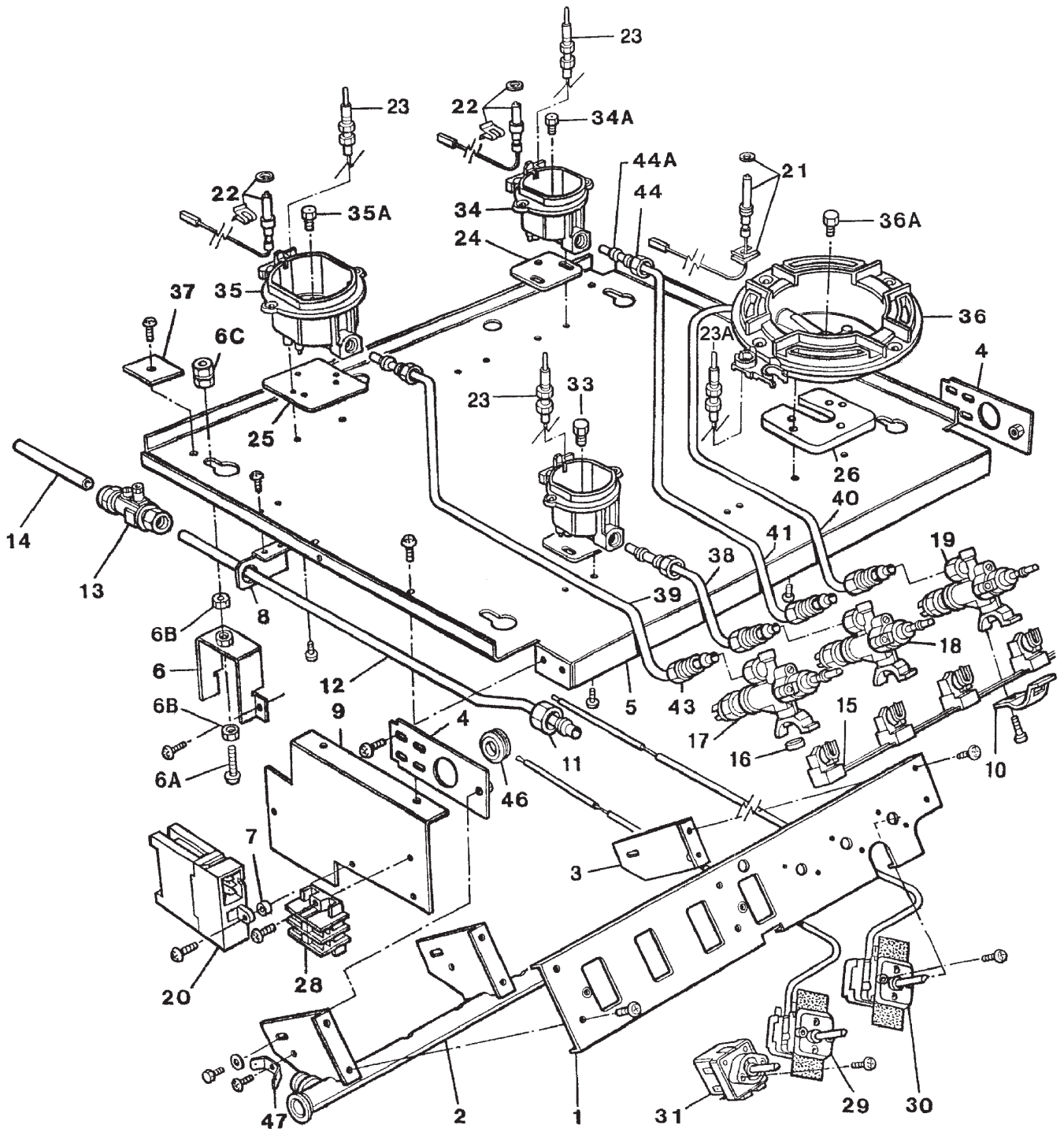
TOP PLATE & HOTPLATE PARTS  
 AGA ELECTRIC MODULE WITH GAS HOB (FFD'S)

**AGA ELECTRIC MODULE WITH GAS HOB (FFD'S)  
CHASSIS PARTS**

**FEBRUARY 2009**

<b>ITEM No.</b>	<b>CAT No.</b>	<b>DESCRIPTION</b>	<b>PRODUCT CODE</b>
1		CONTROL MOUNTING PLATE	AG2M251161
2		GAS RAIL	AG4M251105
3		SUPPORT BRACKET	AG2M250049
4		END SUPPORT BRACKET	AG2M250051
5		BURNER MOUNTING PANEL	AG2M250194
6		HOTPLATE SUPPORT BRACKET	AG2M250053
6A	A2314	SCREW M8 x 45 POZI PAN	KPAN500371
6B	C1552	M6 NUT	KNUT53051
6C		SPECIAL NUT	AG4M250064
7		SPACER	AG4M250200
8		GAS TUBE BRACKET	AG2M250275
9		IGNITION GENERATOR CARRIER	AG2M250195
10		BRACKET	AG4M251012
11		PART OF GAS RAIL	
12		MAIN INLET GAS TUBE MODULE	AG4M251097
13	A3240	GAS VALVE 15 x 10mm C/W PT NIPPLE	AG4M250118
14		GAS CONNECTION TUBE	AG4M250160
15	A4679	4 MICRO SWITCH HARNESS	AG4M250943
16		TAP SEAL - PART OF GAS VALVE	
17	A4715	GAS VALVE - 3.0 kW (0.33) NG	AG4M251100
	A4717	GAS VALVE - 3.0 kW LPG	AG1M251178
18	A4714	GAS VALVE - 1.75 kW (0.27) NG	AG4M251099
	A4716	GAS VALVE - 1.75 kW LPG	AG1M251177
19	A4713	GAS VALVE - 3.5 kW (0.65) NG	AG4M251098
	A4718	GAS VALVE - 3.5 kW LPG	AG1M251179
20	A3212	IGNITION GENERATOR (UP TO M07-158)	AG4M250021
20A	A4664	IGNITION GENERATOR (FROM M07-158)	AG4M251074
21	A3213	IGNITION ELECTRODE & WIRE 3.5(UP TO M07-158)	AG4M250027
21A	M0076	IGNITION ELECTRODE & WIRE 3.5(FROM M07-158)	AG4M260350
22		IGNITION ELECTRODE & WIRE(UP TO M07-158)	AG4M250029
22A	A4662	ELECTRODE & LEAD 600M	AG4M251064
23	A4525	THERMOCOUPLE	AG4M250912
23A	A4741	THERMOCOUPLE - 3.5 kW	AG4M251006
24		SPACER - 1.75 kW	AG4M250032
25		SPACER - 3.0 kW	AG4M250033
26		SPACER - 3.5 kW	AG4M250068
28		TAB TERMINAL BLOCK	AG4M250075
29	A3223	REGULATOR TOP OVEN (UP TO M05-180)	AG4T250111
29A	A5349	REGULATOR TOP OVEN (FROM M08-085)	AG1M997736
30	A3224	REGULATOR BOTTOM OVEN (UP TO M05-180)	AG4T250112
30A	A4923	REGULATOR BOTTOM OVEN (FROM M05-180)	AG4T251256
31	A3225	REGULATOR - GRILL (UP TO M05-180)	AG4M250110
31A		REGULATOR - GRILL (FROM M05-180)	AG4M251258
33	A3228	LPG INJECTOR FOR 1.75 kW (065)	AG4M250119
34	A3495	S/RAPID BURNER CUP (1.75 kW)	AG1M998525
34A	A3227	NG INJECTOR FOR 1.75 kW (097)	AG4M998433
35	A3496	RAPID BURNER CUP (3.0 kW)	AG1M998526
35A	A3234	INJECTOR FOR 3.0 kW (116) - NG	AG4M998434
	A3231	INJECTOR FOR 3.0 kW (85) - LPG	AG4M250120
36	A3497	WOK BURNER BODY (3.5 kW)	AG1M998527
36A	A3230	INJECTOR FOR 3.5 kW (130) - NG	AG4M998435
	A3233	INJECTOR FOR 3.5 kW (95) - LPG	AG4M250121
37		STOP PLATE	AG2M250145
38		LH FRONT 1.75 kW GAS TUBE	AG4M251094
39		LH REAR 3.0 kW GAS TUBE	AG4M251093
40		RH FRONT 3.5 kW GAS TUBE	AG4M251095
41		RH REAR 1.75 kW GAS TUBE	AG4M251092
43		TUBE NUT (SABAF) 0784	
44		TUBE NUT (SABAF) 0784	AG4M250135

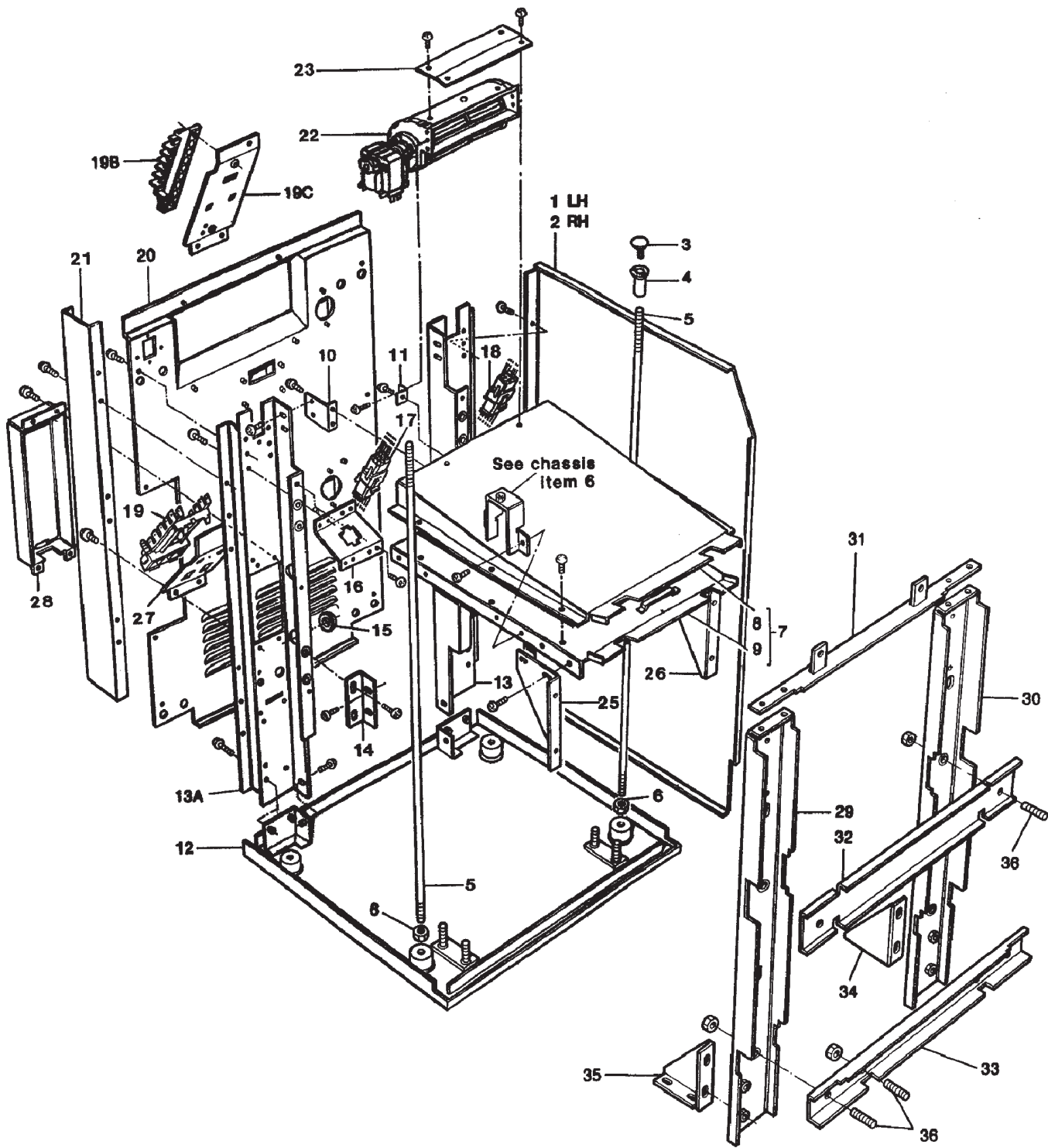
ITEM No.	CAT No.	DESCRIPTION	PRODUCT CODE
44A 46 47		OLIVE (SABAF) GROMMET - REEVITE EARTH TAB CONNECTOR	AG4M250136 AG4M250132 AG4M250082



CHASSIS PARTS  
 AGA ELECTRIC MODULE WITH GAS HOB (FFD'S)

**AGA ELECTRIC MODULE WITH GAS HOB (FFD'S) NOVEMBER 2007  
BASE, BACK PLATE & COOLING DUCT ASSEMBLY**

ITEM No.	CAT No.	DESCRIPTION	PRODUCT CODE
1	A2985	SIDE PLATE LH	AE2V240105
2	A2984	SIDE PLATE RH	AE2V240106
3	A2119	BUTTON CORNER STAY	AG4M210228
4	A2123	NUT - CORNER STAY	AG4M210244
5	A2118	STAY ROD	AG4M210226
6	A3069	LOCKNUT 5/16 BSW	KNUT53065
7	A3635	DUCT ASSEMBLY	AG1M250141
8	A3071	DUCT TOP ASSEMBLY	AE1M240122
9	A3072	DUCT BOTTOM	AE2M240111
10	A3073	BRACKET - REAR DUCT	AE2M240118
11	A3074	BRACKET - FAN FIXING	AE2M240143
12	A3075	BASE PLATE ASSEMBLY	AE2V240067
13		REAR STRUT - RH	AG2M250193
13A		REAR STRUT - LH	AG2M250182
14	A3077	SUPPORT BRACKET - OVEN	AE2M240123
15	A2757	GROMMET	AE4M240132
16	A3078	BRACKET - WIRING SOCKET	AE2M240113
17	A3051	LH 9-WAY PLUG	AE4M240117
18	A3051	RH 9-WAY PLUG	AE4M240117
19	M0158	MAINS TERMINAL BLOCK (FROM M01-168A)	AG4M250613
	A3931	MAINS TERMINAL BLOCK KIT (INCLS 19 & 27)	AG9M998725
19B		MAINS TERMINAL	AG4M250991
19C		TERMINAL BLOCK MOUNTING BRKT	AG2M250988
20		BACK PLATE ASSEMBLY	AG1M250274
21	A3080	REAR EXTENSION	AE2V240115
22	A3081	COOLING FAN	AE4M240008
23	A3082	BRACKET - FAN	AE2M240114
25		STABILISING BRACKET - LH	AG2M250056
26		STABILISING BRACKET - RH	AG2M250057
27	A3920	TERMINAL BLOCK MOUNTING PLATE (UP TO NP04-002)	AG2M250180
28	A3921	TERMINAL BLOCK COVER	AG2M250181
29		FRONT LH STRUT	AG2M250256
30		FRONT RH STRUT	AG2M250257
31		TOP CROSS MEMBER ASSY	AG1M250258
32		CENTRE CROSS MEMBER	AG2M250262
33		BOTTOM CROSS MEMBER	AG2M250265
34		FRONT RH STRUT	AG2M250257
35		FRONT LH STRUT	AG2M250256
36	A3924	ALLTHREAD M6 x 32	KSTD52750



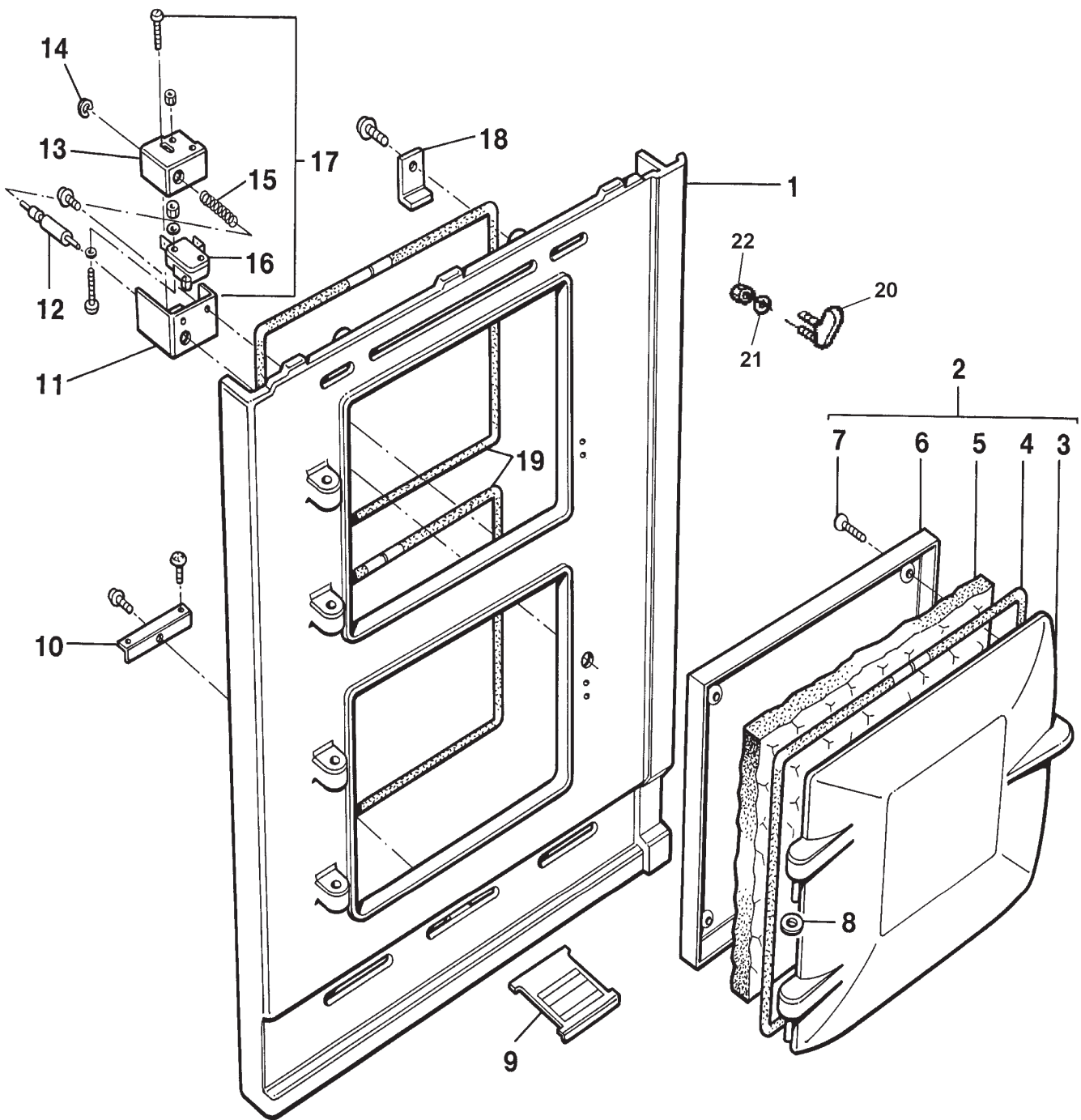
BASE, BACK PLATE & COOLING DUCT ASSEMBLY  
AGA ELECTRIC MODULE WITH GAS HOB (FFD'S)



**AGA ELECTRIC MODULE WITH GAS HOB (FFD'S)  
FRONT PLATE & DOOR ASSEMBLY**

**MAY 2007**

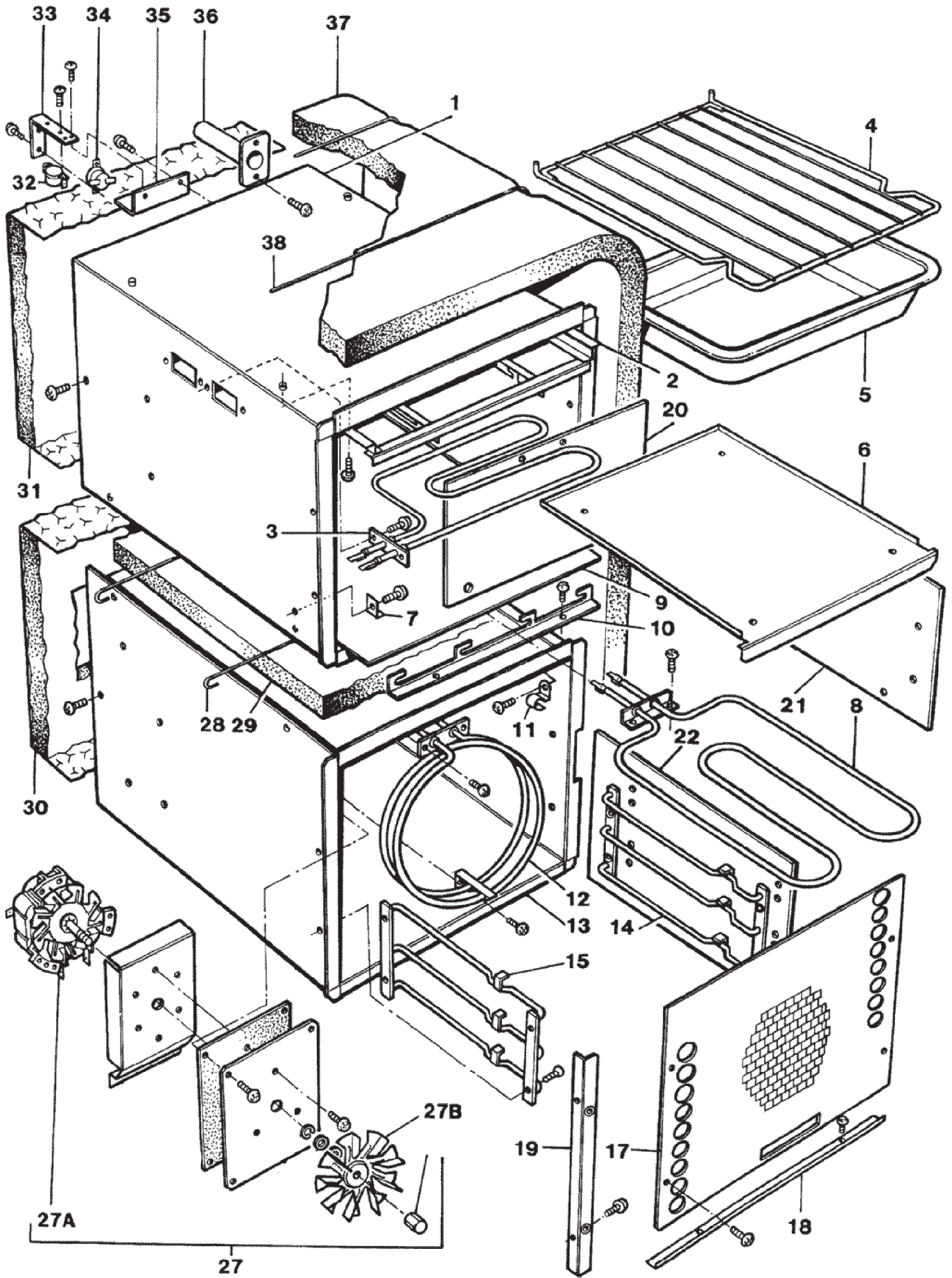
<b>ITEM No.</b>	<b>CAT No.</b>	<b>DESCRIPTION</b>	<b>PRODUCT CODE</b>
1	A3657	FRONT PLATE - FROM M02-081	AE5E240249
2	A2700	FRONT C/W DOORS	AE1M230434
3	A1671	DOOR ASSEMBLY	AE1M240057
4	A4340	DOOR	AS5E1-9285L
	A3954	TOP DOOR ASSY SEAL - THERMOSEAL No. 4 x 1000 LG (BLACK) - FROM M01-080 UP TO M07-091	AE1M230399
		BOTTOM DOOR ASSY SEAL - THERMOSEAL No. 4 x 1185 LG (BLACK) - FROM M07-091 USED ON TOP DOOR	AE1M230400
5	R1080	INSULATION	MRWF210639
6	A3527	LINER - UP TO M06-179	AE2M240083
6A	A5100	LINER - FROM M06-179	AE2M240435
7	A3056	SCREWS M6 x 20 LONG C'SK HEAD	KCSK500267
8	A1950	WASHER 8 x 16 x 1mm THICK	KWSR53500
9			
9A	A3058	SLIDING PLATE C/W BRACKET	RG9V301145
10	A3059	ANGLE CARRIER	AE2M240147
11	A3060	SUPPORT BRACKET DOOR SWITCH	AE2V240080
12	A3526	PIN	AE4M240021
13	A3062	BRACKET	AE2M240081
14	A3063	CIRCLIP	KCLP500303
15	A3064	SPRING	AE4M240085
16	A3114	MICROSWITCH	AE4M240084
17	A3065	DOOR SWITCH ASSEMBLY	AE4M240056
18	A3066	CLAMP - OVEN FITTING	AE2M240082
19	A3956	ROPE SEAL 8 DIA	JTHR240144
20		DOOR CATCH	AG4M250478P
21		DOOR CATCH GASKET	JGSG211270
22		LOCKNUT M5	KNUT500485



FRONT PLATE & DOOR ASSEMBLY  
 AGA ELECTRIC MODULE WITH GAS HOB (FFD'S)

**AGA ELECTRIC MODULE WITH GAS HOB (FFD'S)      OCTOBER 2007  
TOP AND BOTTOM OVEN ASSEMBLIES**

<b>ITEM No.</b>	<b>CAT No.</b>	<b>DESCRIPTION</b>	<b>PRODUCT CODE</b>
1		TOP OVEN ASSEMBLY	AE4M240041
2	A3067	SUPPORT - GRILL ELEMENT	AE1M240031
3	A3068	ELEMENT - GRILL	AE4M240054
4	A2973	GRID SHELF	AE4M240065
5	A3285	ROASTING TIN	EMTY530218
6	A3083	GRILL TRAY - UP TO M06-179	AE4M240032
6A	A5101	GRILL TRAY - FROM M06-179	AE4M240428
7	A3084	RETAINING CLIP	AE2M240079
8	A3043	ELEMENT - TOP OVEN	AE4M240042
9	A3085	BASE PANEL	AE4M240039
10	A3086	SUPPORT - OVEN ELEMENT	AE2M240125
11	A3087	PHIAL CLIP	AE4M240058
12	A3088	ELEMENT - BOTTOM OVEN	AE4M240053
13		BOTTOM OVEN ASSEMBLY	AE4M240038
14	A3089	SHELF SUPPORT RH	AE4M240075
15	A2974	SHELF SUPPORT LH	AE4M240074
16			
17		BAFFLE PLATE	AE4M240178
18	A3091	SEALING BRACKET	AE2M240078
19	A3092	FIXING BRACKET	AE2M240020
20	A3016	TOP OVEN REAR LINING	AE4M240179
21	A3017	TOP OVEN INNER SIDE LININGS	AE4M240176
22	A3018	BOTTOM OVEN INNER SIDE LININGS	AE4M240177
23			
24			
25	A3093	GASKET	JGSG240142
26	A3094	FAN SHIELD	AE2M240119
27	A3095	FAN AND IMPELLOR ASSEMBLY (UP TO M07-142)	AE4M240093
27		MOTOR (PART OF 27)	AE4M240155
27		IMPELLOR (PART OF 27)	AE4M240156
27		NUT - IMPELLOR (PART OF 27)	AE4M240157
27		WASHER (PART OF 27)	AE4M240158
27		CIRCLIP (PART OF 27)	AE4M240159
27A		OVEN FAN (FROM M07-142)	AE4M260908
27B		IMPELLOR 120MM (FROM M07-142)	AG4M251303
27C		CIRCULATION FAN ASSY (PRE M07-142)	AE9M997604
28		WIRE 650 LG	AE4M240145
29		INSULATION - PLAIN	JPAD240037
30	A3097	INSULATION - BOTTOM OVEN	JPAD240051
31	A3098	INSULATION - TOP OVEN	JPAD240050
32	A3042	CUT-IN	AE4M240131
33	A3099	CARRIER BRACKET - FAN CUT/IN	AE2M240135
34	R3246	CUT-OUT	RO4T340645
35		BRACKET - FAN CUT OUT/IN	AE4M240134
36	A3100	VENT PIPE	AE4M240090
37	A3101	MAIN WRAP INSULATION	JPAD240052
38	A3096	WIRE 2.3 M LONG	AE4M240145



TOP & BOTTOM OVEN ASSEMBLIES  
 AGA ELECTRIC MODULE WITH GAS HOB (FFD'S)