

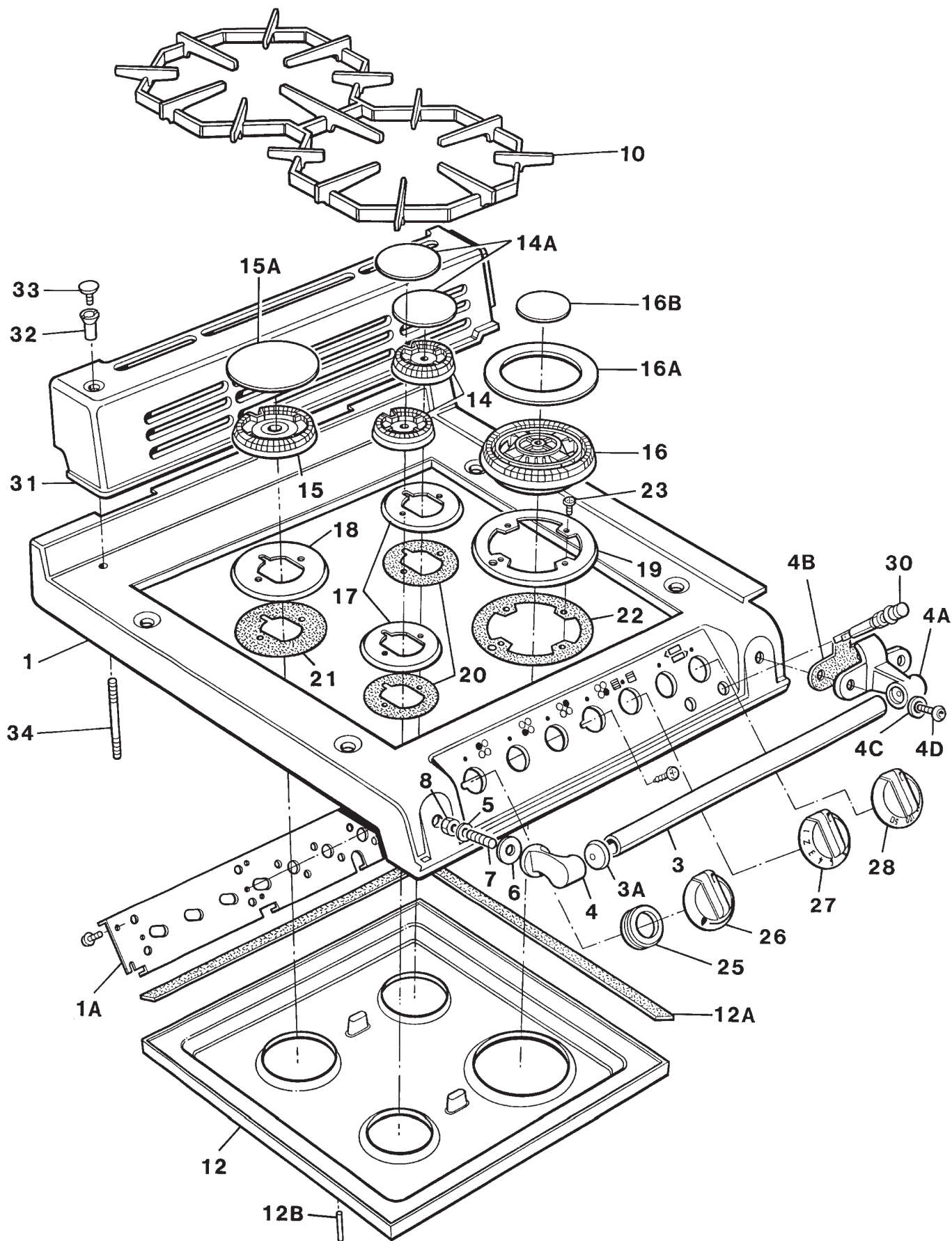
**AGA ELECTRIC  
MODULE  
WITH GAS HOB**

***SPARE PARTS  
MANUAL***

**AGA MODULE WITH GAS HOB  
TOP PLATE AND HOTPLATE PARTS**

**MARCH 2009**

<b>ITEM No.</b>	<b>CAT No.</b>	<b>DESCRIPTION</b>	<b>PRODUCT CODE</b>
1	A3238	TOP PLATE (NO SHROUD)	AG5E250094
	A3239	TOP PLATE (TO ACCEPT SHROUD)	AG5E250137
1A		FACIA PANEL	AG2M250047
2			
2A			
3	A2642	HANDRAIL	AE4M240076
3A	A2975	VINYL END CAP	AG4M210660
4		BRACKET HANDLE	AG4M210853
4A	A2977	JOINTING BRACKET	AG4M210854
4B	A2532	GASKET JOINTING BRACKET	JGSG210523
4C	A3044	JOINTING BRACKET WASHER	JWSR210469
4D	A3109	M8 x 25 LG FLANGE BUTTON HD SKT SCREW	KMIS500305
5		WASHER M8 SHAKEPROOF	KWSR53346
6	A1472	FIBRE WASHER	JWSR313206
7		ALLTHREAD M8 x 35	KSTD500010
8	R2630	NUT M8	KNUT53061
10	A3188	PAN SUPPORT	AG4M250024
12	A3189	HOTPLATE	AG5E250012
12A	A3190	HOTPLATE GASKET (x4)	JGSG250083
12B	A3191	SPIROL PIN ø 6 x 30	KCTR500380
14	A3192	BURNER RING 1.75kW	AG4M250123
14A	A3193	BURNER CAP 1.75kW VE	AG4M250124
15	A3194	BURNER RING 3.0kW	AG4M250125
15A	A3195	BURNER CAP 3.0kW VE	AG4M250126
16	A3196	BURNER RING 3.5kW	AG4M250127
16A	A3197	BURNER CAP 3.5kW VE	AG4M250128
16B	A3198	BURNER INNER CAP 3.5kW VE	AG4M250129
17	A3199	BURNER SKIRT DISC 1.75kW	AG4M250109
18	A3200	BURNER SKIRT DISC 3.0kW	AG4M250108
19	A3201	BURNER SKIRT DISC 3.5kW	AG4M250107
20	A3202	BURNER GASKET 1.75kW	JGSG250079
21	A3203	BURNER GASKET 3.0kW	JGSG250078
22	A3204	BURNER GASKET 3.5kW	JGSG250077
23		SCREW M3 x 8 C'SNK HEAD M/C ST/ST	KCSK500365
25	A4904	GROMMET - REEVITE PV865	AG4M250978
26	A3205	KNOB - GAS BURNERS	AG4M250072
27	A3206	KNOB - GRILL	AG4M250074
28	A3207	KNOB - OVENS	AG4M250073
30	A3045	NEON	AE4M250092
31	A2641	SHROUD	AE5E240098
32	A2117	NUT CONTROL STAY	AE4M210227
33	A2119	BUTTON	AG4M210228
34		SUPPORT BRACKET STAY ROD SHORT	AE4M44115
35	A1915	ROPE - THERM NO 2.5 DIA 0.72M LG	JTHR20393X40



TOP PLATE & HOTPLATE PARTS  
AGA GAS MODULE

**AGA MODULE WITH GAS HOB  
CHASSIS PARTS**

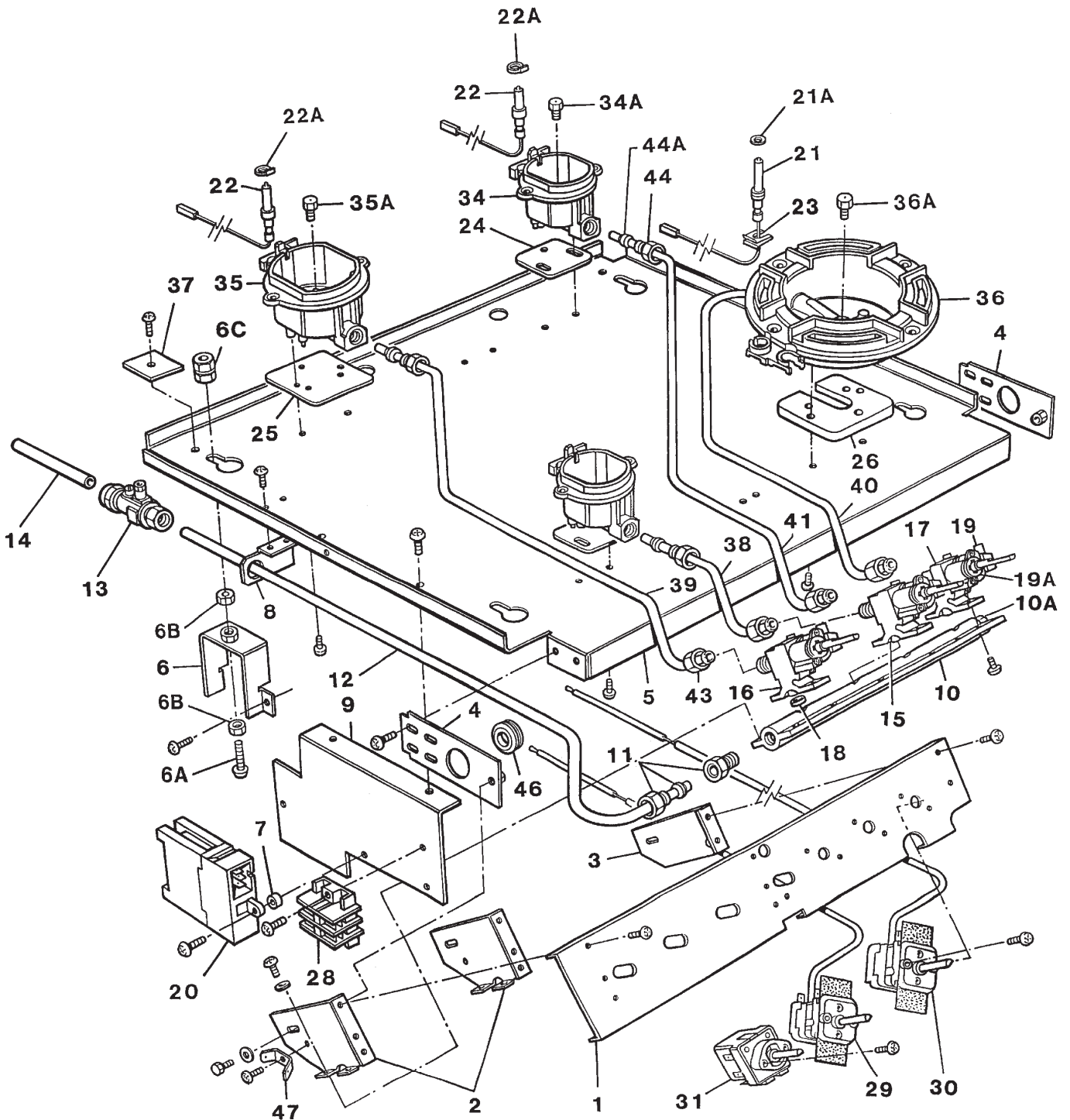
**FEBRUARY 2009**

<b>ITEM No.</b>	<b>CAT No.</b>	<b>DESCRIPTION</b>	<b>PRODUCT CODE</b>
1		CONTROL MOUNTING PLATE	AG2M250046
2		GAS RAIL BRACKET	AG2M250048
3		SUPPORT BRACKET	AG2M250049
4		END SUPPORT BRACKET	AG2M250051
5		BURNER MOUNTING PANEL	AG2M250194
6		HOTPLATE SUPPORT BRACKET	AG2M250053
6A	A2314	SCREW M8 x 45 POZI PAN MS/ZP	KPAN500371
6B	C1552	M6 NUT	KNUT53051
6C		SPECIAL NUT	AG4M250064
7		SPACER	AG4M250200
8		GAS TUBE BRACKET	AG2M250275
9		IGNITION GENERATOR CARRIER	AG2M250195
10		GAS RAIL	AG4M250055
10A		PLUG (BSPT TAPER) QC.D88.163	AG4M250081
11	R1392	COMPRESSION TO 1/4" BSPT UNION QC.MG13.10.163	RO4M27540
12		GAS RAIL TUBE ø 'BUNDY'	AG4M250270
13	A3240	GAS V/V 15 x 10mm C/W PT NIPPLE	AG4M250118
14		GAS CONNECTION TUBE	AG4M250160
15		GAS TAP 1.75kW	
	A3208	N.G. TWO YELLOW STRIPES	AG4M250035
	A3458	L.P.G. PLUS RED STRIPES	AG1M250096
16		GAS TAP 3.0kW	
	A3209	N.G ONE YELLOW STRIPE	AG4M250036
	A3459	L.P.G. PLUS RED STRIPE	AG1M250097
17		GAS TAP 3.5kW	
	A3210	N.G. 1 X YELLOW 1 X BLACK STRIPE	AG4M250037
	A3460	L.P.G. PLUS RED STRIPE	AG1M250098
18	A3211	TAP SEAL 16800 JG	AG4M250131
19	Part of A3208/9/10	IGNITION SWITCH 61450GH	AG4M998425
19A		SWITCH PUSH-ON CLIP 21140VP	AG4M998426
20	A3212	IGNITION GENERATOR (UP TOM076-158)	AG4M250021
20A		SPIRE J NUT 10	KNUT52815
20B	A4664	IGNITION GENERATOR (FROM M07-158)	AG4M251074
21	A3213	IGNITION ELECTRODE & WIRE 0746/750 (UP TOM076-158)	AG4M250027
21A		ELECTRODE SEAL SABAF 0817	AG4M250028
21B	M0076	IGNITION ELECTRODE & WIRE (FROM M07-158)	AG4M260350
22	A3214	IGNITION ELECTRODE & WIRE 0812/600 (UP TOM076-158)	AG4M250029
22A	A3215	ELECTRODE SEAL 0816	AG4M250030
22B	A4662	ELECTRODE & LEAD 600MM	AG4M251064
23	A3216	ELECTRODE CLIP 0813	AG4M250031
24		S/RAPIDE SPACER (1.75kW)	AG4M250032
25		RAPIDE SPACER (3.0kW)	AG4M250033
26		'WOK' SPACER (3.5kW)	AG4M250068
28		TAB TERMINAL BLOCK METWAY 3070 PC 02 WE 53	AG4M250075
29	A3223	REGULATOR TOP OVEN - N/A	AG4T250111
29A	A5349	REGULATOR TOP OVEN (FROM M08-085)	AG1M997730
30	A3224	REGULATOR BOTTOM OVEN - N/A	AG4T250112
30A	A4923	FAN OVEN REGULATOR (FROM M05-180)	AG4T251256
31	A3225	REGULATOR GRILL - N/A	AG4M250110
31A		GRILL REGULATOR (FROM M05-180)	AG4M251258
34	A3495	S/RAPIDE BURNER CUP (1.75kW)	AG1M998525
34A	A3227	INJECTOR FOR 1.75kW (097)	AG4M998433
	A3228	(065) L.P.G.	AG4M250119
35	A3496	RAPIDE BURNER CUP (3.0kW)	AG1M998526
35A	A3234	INJECTOR FOR 3.0kW (116)	AG4M998434
	A3231	(85) L.P.G.	AG4M250120
	A4406	N.G. INJECTOR - NETHERLANDS	AG4M250238

**AGA MODULE WITH GAS HOB  
CHASSIS PARTS**

**SEPT. 2007**

<b>ITEM No.</b>	<b>CAT No.</b>	<b>DESCRIPTION</b>	<b>PRODUCT CODE</b>
36	A3497	'WOK' BURNER BODY (3.5kW)	AG1M998527
36A	A3230	INJECTOR FOR 3.5kW (130)	AG4M998435
	A3233	(95) L.P.G.	AG4M250121
37		STOP PLATE	AG2M250145
38		GAS PIPE 1.75kW FRONT	AG4M250061
39		GAS PIPE 3.0kW BACK	AG4M250060
40	A4275	GAS PIPE 3.5kW FRONT	AG4M250063
41		GAS PIPE 1.75kW BACK	AG4M250062
		SUPPLY EACH PIPE WITH ONE EACH:-	
43		TUBE NUT (MALE) M16 x 1.5	AG4M250065
44		TUBE NUT (SABAF) 0784	AG4M250135
44A		OLIVE (SABAF) 0775	AG4M250136
46		GROMMET - REEVITE 3461	AE4M250132
47		EARTH TAB CONNECTOR	AG4M250082

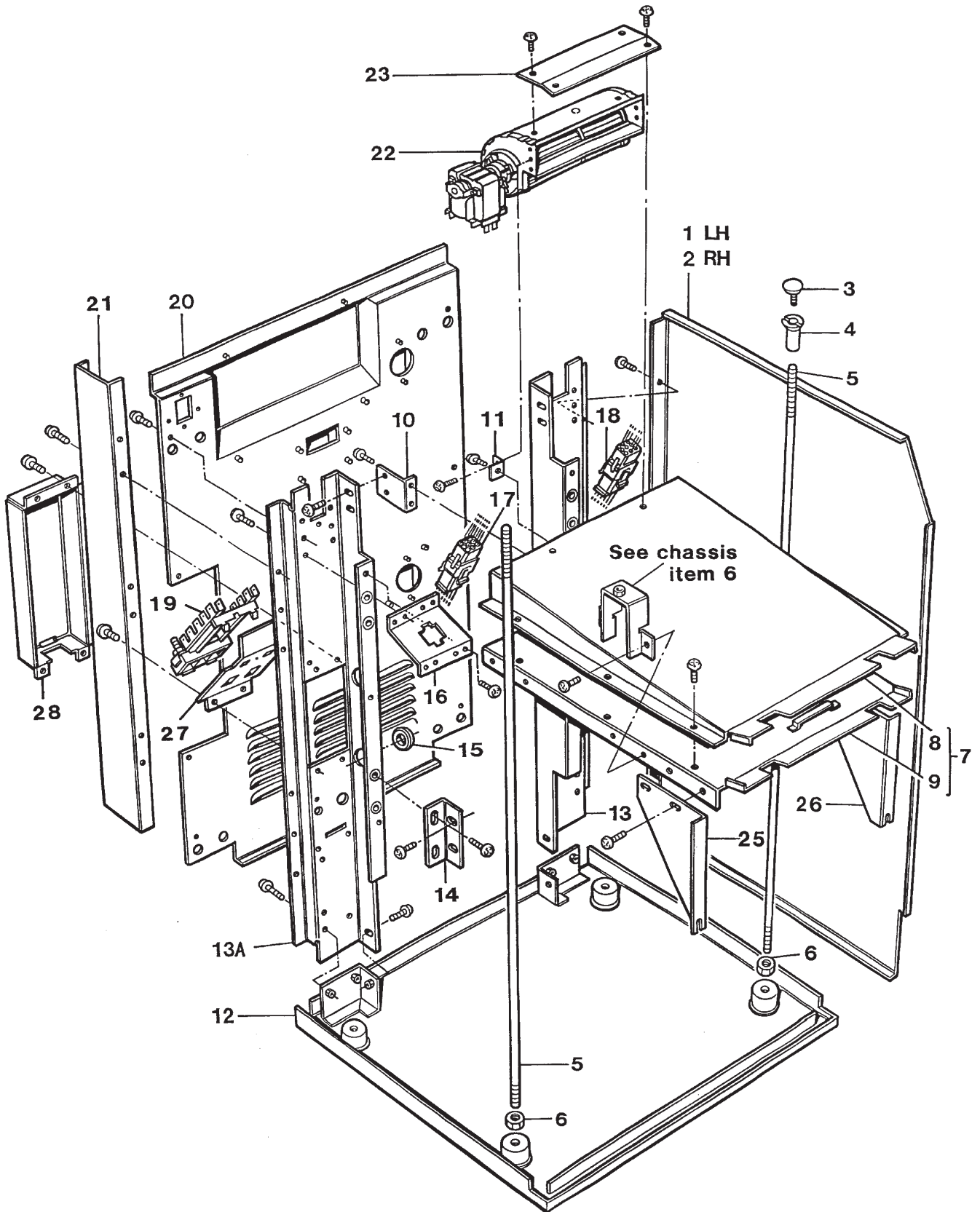


CHASSIS PARTS  
AGA GAS MODULE

**AGA MODULE WITH GAS HOB** **SEPTEMBER 2003**  
**BASE, BACK PLATE & COOLING DUCT ASSEMBLY (UP TO M01-086)**

ITEM No.	CAT No.	DESCRIPTION	PRODUCT CODE
1	A2985	SIDE PLATE LH	AE2V240105
2	A2984	SIDE PLATE RH	AE2V240106
3	A2119	BUTTON CORNER STAY	AG4M210228
4	A2123	NUT - CORNER STAY	AG4M210244
5	A2118	STAY ROD	AG4M210226
6	A3069	LOCKNUT 5/16 BSW	KNUT53065
7	A3635	DUCT ASSEMBLY	AG1M250141
8	A3071	DUCT TOP ASSEMBLY	AE1M240122
9	A3072	DUCT BOTTOM	AE2M240111
10	A3073	BRACKET - REAR DUCT	AE2M240118
11	A3074	BRACKET - FAN FIXING	AE2M240143
12	A3075	BASE PLATE ASSEMBLY	AE2V240067
13		REAR STRUT - RH	AG2M250193
13A		REAR STRUT - LH	AG2M250182
14	A3077	SUPPORT BRACKET - OVEN	AE2M240123
15	A2757	GROMMET	AE4M240132
16	A3078	BRACKET - WIRING SOCKET	AE2M240113
17	A3051	LH 9-WAY PLUG	AE4M240117
18	A3051	RH 9-WAY PLUG	AE4M240117
19	A3048	MAINS TERMINAL BLOCK - UPTO SEPT 1999	AE4M240091
		MAINS TERMINAL BLOCK - FROM SEPT 1999	AG4M250175
		<b>(NO LONGER AVAILABLE)</b>	
19A		MAINS TERMINAL BLOCK (FROM M01-168A)	AG4M250613
		MAINS TERMINAL BLOCK KIT (INCLS 19A & 27)	RG9M998725
20		BACK PLATE ASSEMBLY	AG1M250274
21	A3080	REAR EXTENSION	AE2V240115
22	A3081	COOLING FAN	AE4M240008
23	A3082	BRACKET - FAN	AE2M240114
25		STABILISING BRACKET - LH	AG2M250056
26		STABILISING BRACKET - RH	AG2M250057
27	A3920	TERMINAL BLOCK MOUNTING PLATE	AG2M250180
28	A3921	TERMINAL BLOCK COVER	AG2M250181





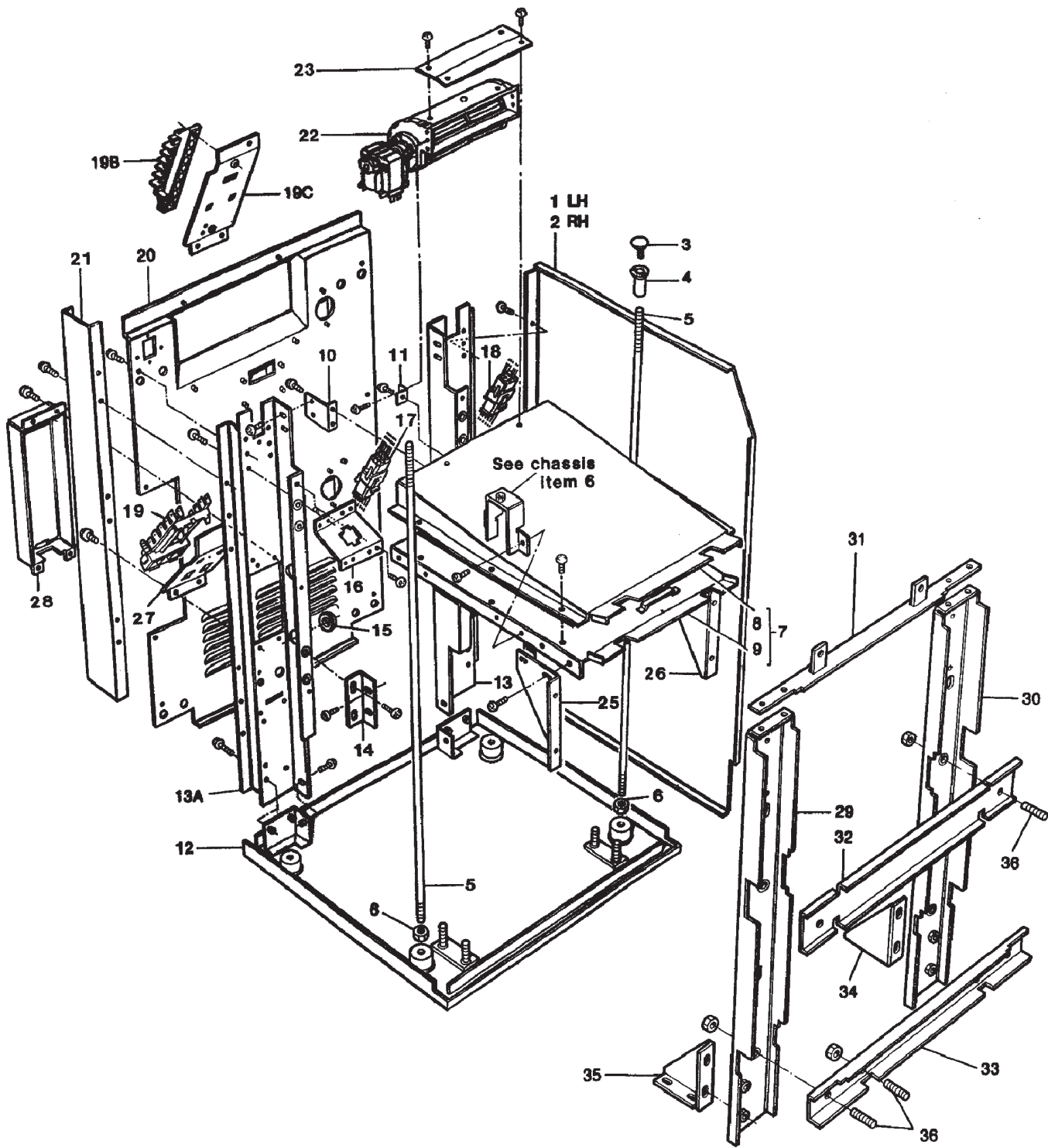
BASE, BACK PLATE & COOLING DUCT ASSEMBLY  
 AGA GAS MODULE (UP TO M01-086)



**AGA MODULE WITH GAS HOB  
BASE, BACK PLATE & COOLING DUCT ASSEMBLY (FROM M01-086)**

**NOVEMBER 2007**

<b>ITEM No.</b>	<b>CAT No.</b>	<b>DESCRIPTION</b>	<b>PRODUCT CODE</b>
1	A2985	SIDE PLATE LH	AE2V240105
2	A2984	SIDE PLATE RH	AE2V240106
3	A2119	BUTTON CORNER STAY	AG4M210228
4	A2123	NUT - CORNER STAY	AG4M210244
5	A2118	STAY ROD	AG4M210226
6	A3069	LOCKNUT 5/16 BSW	KNUT53065
7	A3635	DUCT ASSEMBLY	AG1M250141
8	A3071	DUCT TOP ASSEMBLY	AE1M240122
9	A3072	DUCT BOTTOM	AE2M240111
10	A3073	BRACKET - REAR DUCT	AE2M240118
11	A3074	BRACKET - FAN FIXING	AE2M240143
12	A3075	BASE PLATE ASSEMBLY	AE2V240067
13		REAR STRUT - RH	AG2M250193
13A		REAR STRUT - LH	AG2M250182
14	A3077	SUPPORT BRACKET - OVEN	AE2M240123
15	A2757	GROMMET	AE4M240132
16	A3078	BRACKET - WIRING SOCKET	AE2M240113
17	A3051	LH 9-WAY PLUG	AE4M240117
18	A3051	RH 9-WAY PLUG	AE4M240117
19	A3048	MAINS TERMINAL BLOCK - UPTO SEPT 1999	AE4M240091
		MAINS TERMINAL BLOCK - FROM SEPT 1999	AG4M250175
		<b>(NO LONGER AVAILABLE)</b>	
19A	M0158	MAINS TERMINAL BLOCK (FROM M01-168A)	AG4M250613
	A3931	MAINS TERMINAL BLOCK KIT (INCLS 19A & 27)	AG9M998725
19B		MAINS TERMINAL - FROM NP04-002	AG4M250991
19C		TERMINAL BLOCK MOUNTING BRKT - (FROM NP04-002)	AG2M250988
20		BACK PLATE ASSEMBLY	AG1M250274
21	A3080	REAR EXTENSION	AE2V240115
22	A3081	COOLING FAN	AE4M240008
23	A3082	BRACKET - FAN	AE2M240114
25		STABILISING BRACKET - LH	AG2M250056
26		STABILISING BRACKET - RH	AG2M250057
27	A3920	TERMINAL BLOCK MOUNTING PLATE (UP TO NP04-002)	AG2M250180
28	A3921	TERMINAL BLOCK COVER	AG2M250181
29		FRONT LH STRUT	AG2M250256
30		FRONT RH STRUT	AG2M250257
31		TOP CROSS MEMBER ASSY	AG1M250258
32		CENTRE CROSS MEMBER	AG2M250262
33		BOTTOM CROSS MEMBER	AG2M250265
34		FRONT RH STRUT	AG2M250257
35		FRONT LH STRUT	AG2M250256
36	A3924	ALLTHREAD M6 x 32	KSTD52750

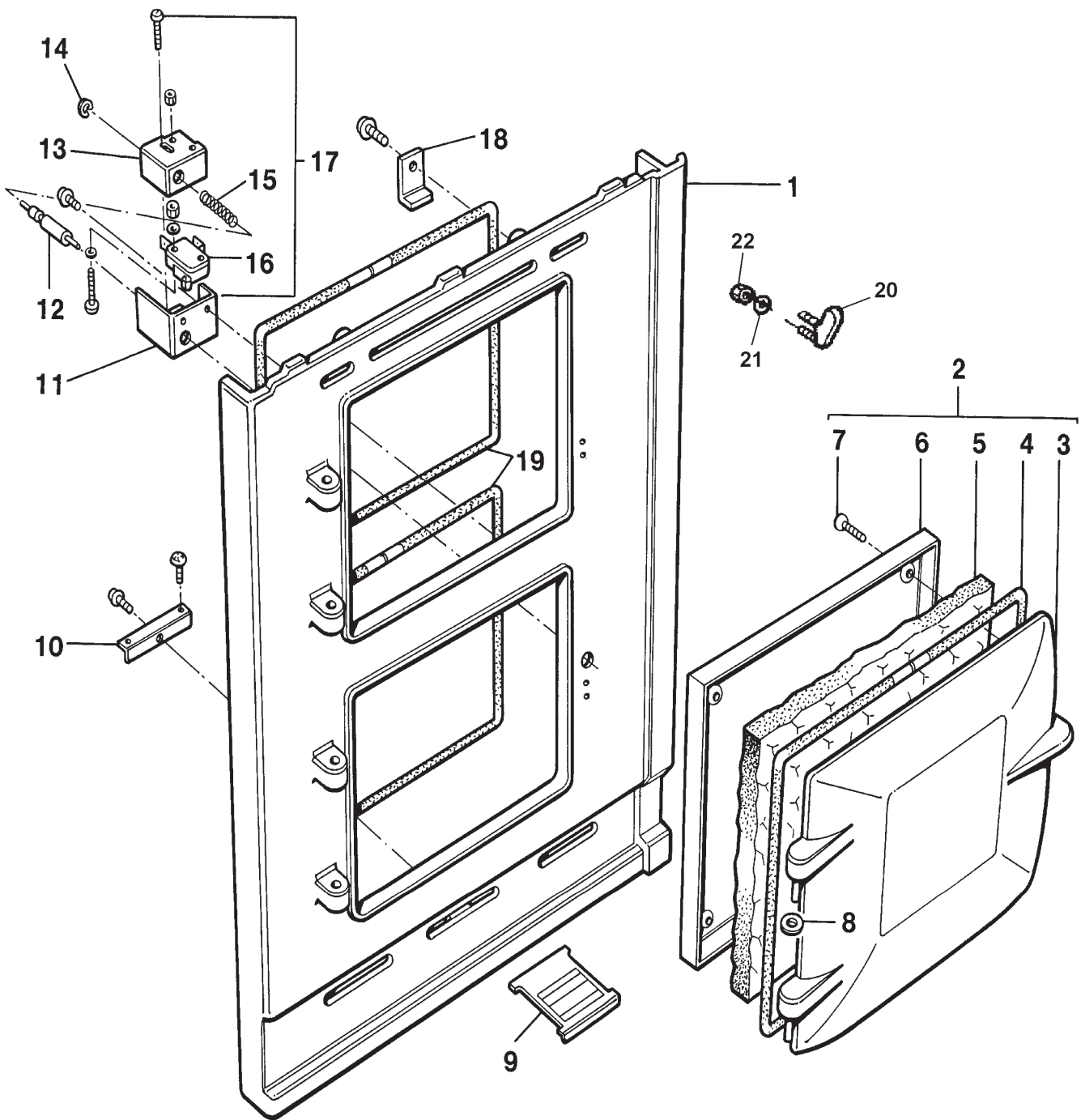


BASE, BACK PLATE & COOLING DUCT ASSEMBLY  
 AGA GAS MODULE (FROM M01-086)

**AGA MODULE WITH GAS HOB  
FRONT PLATE & DOOR ASSEMBLY**

**JULY 2004**

<b>ITEM No.</b>	<b>CAT No.</b>	<b>DESCRIPTION</b>	<b>PRODUCT CODE</b>
1	A3657	FRONT PLATE - FROM M02-081	AE5E240249
2	A2700	FRONT C/W DOORS	AE1M230434
3	A1671	DOOR ASSEMBLY	AE1M240057
4	A3054	DOOR	AS5E1-9285L
		SEAL - THERMOSEAL ROPE NO.4 X 1200LG (UP	AE1M230125
		TO M01-080)	
	A4340	TOP DOOR ASSY SEAL - THERMOSEAL No. 4 x	AE1M230399
		1000 LG (BLACK) - FROM M01-080	
		BOTTOM DOOR ASSY SEAL - THERMOSEAL No. 4	AE1M230400
		x 1185 LG (BLACK) - FROM M01-080	
5	R1080	INSULATION	MRWF210639
6	A3527	LINER	AE2M240083
7	A3056	SCREWS M6 x 20 LONG C'SK HEAD	KCSK500267
8	A1950	WASHER 8 x 16 x 1mm THICK	KWSR53500
9		SLIDING PLATE - DATA PLAQUE - UP TO M04-091	AE2V240148
9A	A3058	SLIDING PLATE C/W BRACKET - FROM M04-091	RG9V301145
10	A3059	ANGLE CARRIER	AE2M240147
11	A3060	SUPPORT BRACKET DOOR SWITCH	AE2V240080
12	A3526	PIN	AE4M240021
13	A3062	BRACKET	AE2M240081
14	A3063	CIRCLIP	KCLP500303
15	A3064	SPRING	AE4M240085
16	A3114	MICROSWITCH	AE4M240084
17	A3065	DOOR SWITCH ASSEMBLY	AE4M240056
18	A3066	CLAMP - OVEN FITTING	AE2M240082
19	A3956	ROPE SEAL 8 DIA	JTHR240144
20		DOOR CATCH	AG4M250478P
21		DOOR CATCH GASKET	JGSG211270
22		LOCKNUT M5	KNUT500485

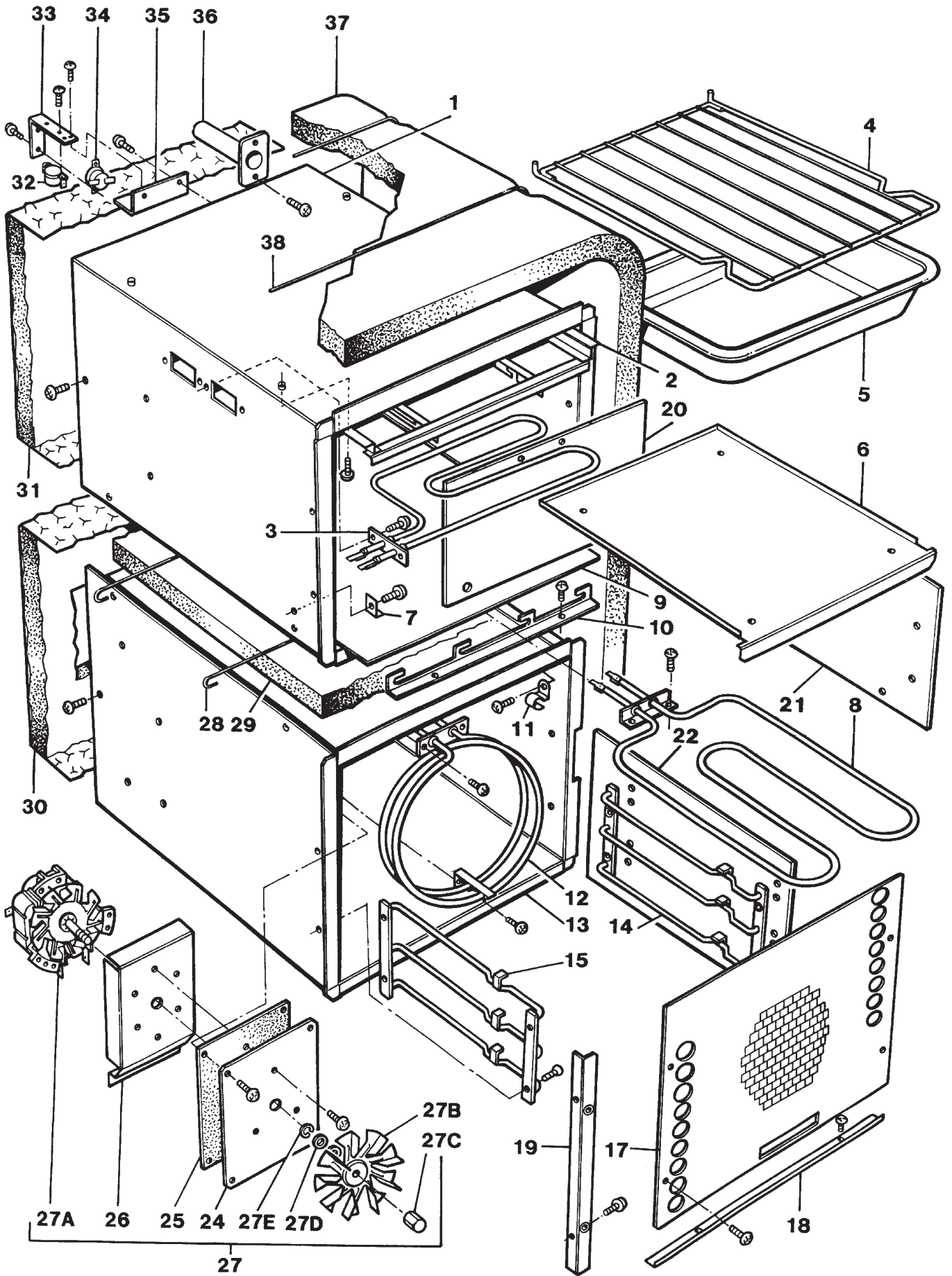


FRONT PLATE & DOOR ASSEMBLY  
 AGA GAS MODULE

**AGA MODULE WITH GAS HOB  
TOP AND BOTTOM OVEN ASSEMBLIES**

**OCTOBER 2007**

<b>ITEM No.</b>	<b>CAT No.</b>	<b>DESCRIPTION</b>	<b>PRODUCT CODE</b>
1		TOP OVEN ASSEMBLY	AE4M240041
2	A3067	SUPPORT - GRILL ELEMENT	AE1M240031
3	A3068	ELEMENT - GRILL	AE4M240054
4	A2973	GRID SHELF	AE4M240065
5	A3285	ROASTING TIN	EMTY530218
6	A3083	GRILL TRAY	AE4M240032
7	A3084	RETAINING CLIP	AE2M240079
8	A3043	ELEMENT - TOP OVEN	AE4M240042
9	A3085	BASE PANEL	AE4M240039
10	A3086	SUPPORT - OVEN ELEMENT	AE2M240125
11	A3087	PHIAL CLIP	AE4M240058
12	A3088	ELEMENT - BOTTOM OVEN	AE4M240053
13		BOTTOM OVEN ASSEMBLY	AE4M240038
14	A3089	SHELF SUPPORT RH	AE4M240075
15	A2974	SHELF SUPPORT LH	AE4M240074
16			
17		BAFFLE PLATE	AE4M240178
18	A3091	SEALING BRACKET	AE2M240078
19	A3092	FIXING BRACKET	AE2M240020
20	A3016	TOP OVEN REAR LINING	AE4M240179
21	A3017	TOP OVEN INNER SIDE LININGS	AE4M240176
22	A3018	BOTTOM OVEN INNER SIDE LININGS	AE4M240177
23			
24			
25	A3093	GASKET	JGSG240142
26	A3094	FAN SHIELD	AE2M240119
27	A3095	FAN AND IMPELLOR ASSEMBLY (UP TO M07-142)	AE4M240093
27A		MOTOR	AE4M240155
27B		IMPELLOR	AE4M240156
27C		NUT - IMPELLOR	AE4M240157
27D		WASHER	AE4M240158
27E		CIRCLIP	AE4M240159
27F		CIRCULATION FAN ASSAY (PRE M07-142)	AE9M 997604
28		WIRE 650 LG	AE4M240145
29		INSULATION - PLAIN	JPAD240037
30	A3097	INSULATION - BOTTOM OVEN	JPAD240051
31	A3098	INSULATION - TOP OVEN	JPAD240050
32	A3042	CUT-IN	AE4M240131
33	A3099	CARRIER BRACKET - FAN CUT/IN	AE2M240135
34	R3246	CUT-OUT	RO4T340645
35		BRACKET - FAN CUT OUT/IN	AE4M240134
36	A3100	VENT PIPE	AE4M240090
37	A3101	MAIN WRAP INSULATION	JPAD240052
38	A3096	WIRE 2.3 M LONG	AE4M240145



TOP & BOTTOM OVEN ASSEMBLIES  
AGA GAS MODULE