

THERMOROSSI THERMOROSSI



CHEF WOOD & MULTI FUEL COOKING ONLY

**No Water Heating, just cooking and space heating.
Take a look at the price!**

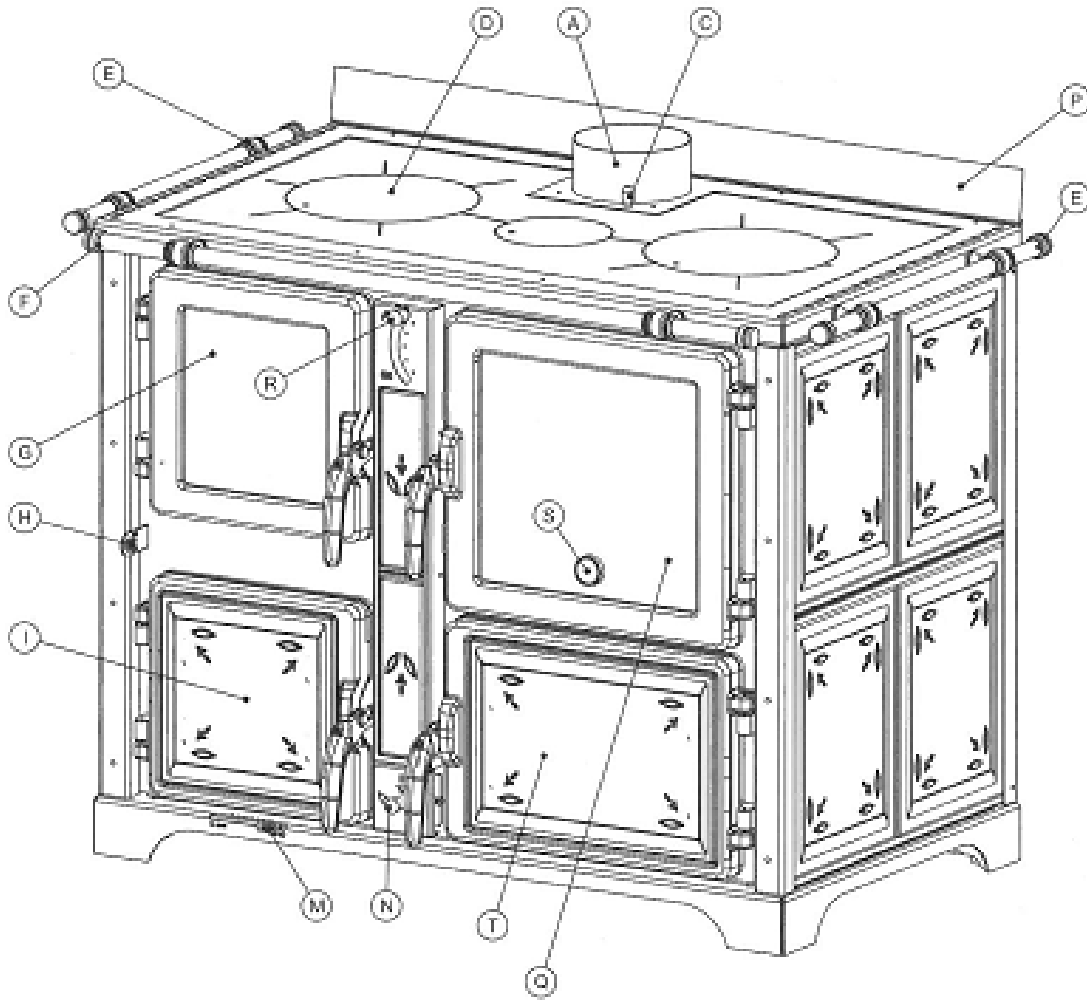


Two styles of beautiful majolica ceramic tiles; FIORI and VINTAGE.

FIORI - (flowers) pattern majolica tiles available in Sand, Red or Beige.

VINTAGE - Plain raised face majolica tiles available in Polar White, Red or Beige.

Main Component Parts List



Item No	Description
A	150mm diameter flue outlet
B	150mm diameter rear flue outlet
C	Direct draft lever
D	Removable circular hotplate inserts
E	Side rail
F	Front rail
G	Fuel loading door with glass panel
H	Secondary air regulation
I	Ashpit door
L	Ashpan behind ashpit door
M	Primary air regulation
N	Cover for mini ashpan for oven flue pass
O	Mini ashpan behind cover
P	Mini splashback
Q	Main oven
R	Control damper for oven temperature regulation
S	Oven temperature thermometer
T	Lower warming oven
U	Adjustable main oven vent behind oven door
V	Flue clean out access under main oven

- With a mixture of fine quality majolica tiles and cast iron doors, this is a superb and relatively simple cooker at a very competitive price.

- Easy to use and control with a massive hot plate and huge space heating potential.

- The Chef can be rapidly brought up to temperature and after cooking, slowed down to provide a long lasting slow burn and gentle space heating.

- The Chef has a substantial firebox capable of accepting logs up to 380mm (15") x 150mm (6") diameter.

Height 852 Width 667-736* Depth 600

Weight 247Kg

Flue 150mm Dia Top or Rear

* width depends on choice of tile type.